

[54] TOY VEHICLE

[75] Inventor: Mark D. Boudreaux, Cincinnati, Ohio

[73] Assignee: CPG Products Corp., Minneapolis, Minn.

[**] Term: 14 Years

[21] Appl. No.: 478,967

[22] Filed: Mar. 25, 1983

[52] U.S. Cl. D21/87; D21/132; D21/145

[58] Field of Search D21/82, 87, 88, 89, D21/90, 124, 128, 132, 145; D12/319, 320, 321; 446/71, 72, 73, 52, 56, 61, 66

[56] References Cited

U.S. PATENT DOCUMENTS

| | | | | |
|------------|---------|-----------|-------|--------|
| D. 257,114 | 9/1980 | Baird | | D21/87 |
| D. 261,287 | 10/1981 | Hilko | | D21/87 |
| D. 263,727 | 4/1982 | Probert | | D21/87 |
| D. 274,175 | 6/1984 | Boudreaux | | D21/87 |

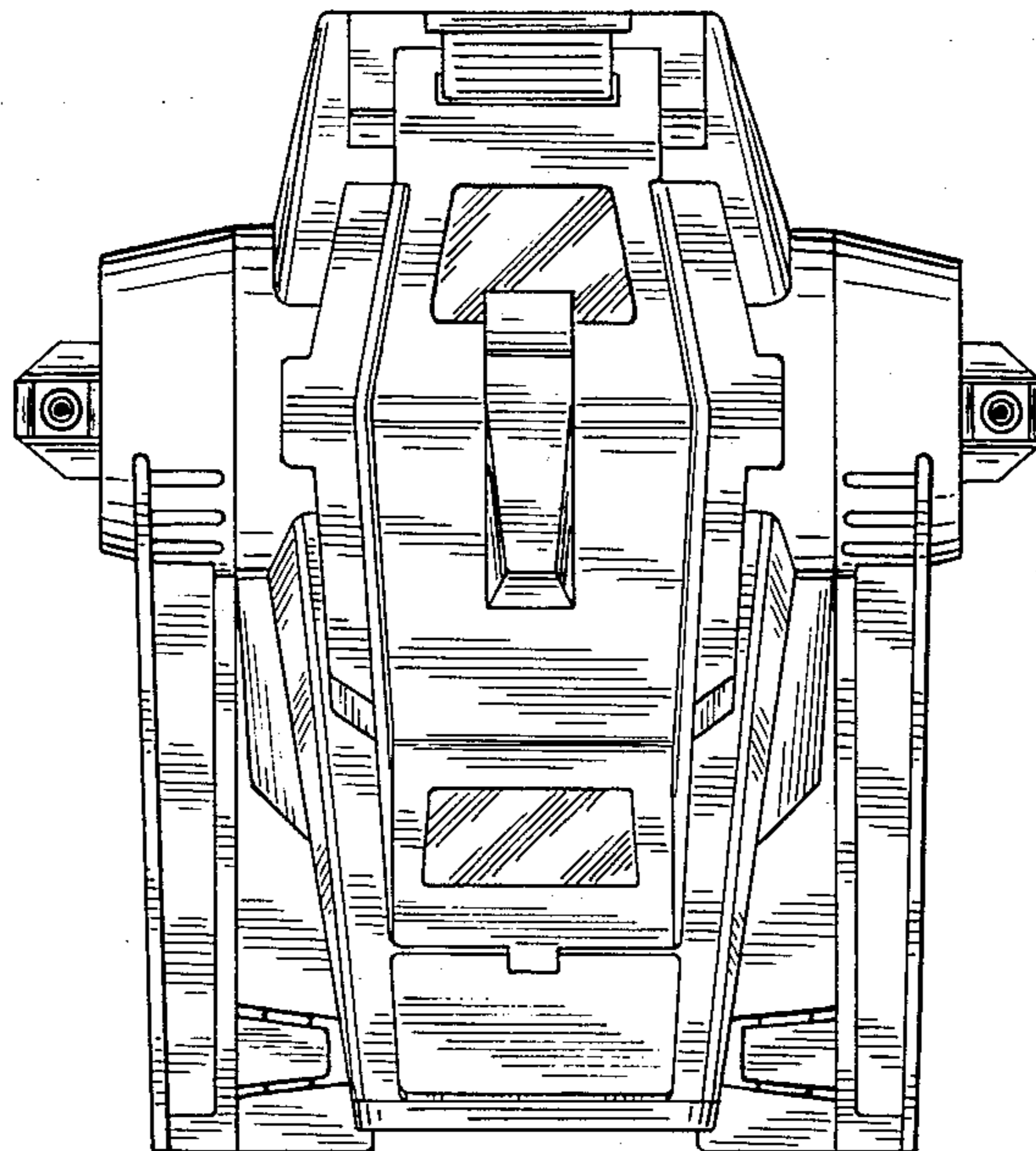
Primary Examiner—Charles A. Rademaker
Attorney, Agent, or Firm—L. MeRoy Lillehaugen; Gene O. Enockson

[57] CLAIM

The ornamental design for a toy vehicle, substantially as shown and described.

DESCRIPTION

FIG. 1 is a front elevational view of a toy vehicle showing my new design;
 FIG. 2 is a side elevational view thereof, the side opposite being substantially a mirror image thereof;
 FIG. 3 is a rear elevational view thereof;
 FIG. 4 is a bottom plan view thereof;
 FIG. 5 is a top plan thereof;
 FIG. 6 is a perspective view which is similar to FIG. 1, but showing the toy vehicle having a compartment door partially opened;
 FIG. 7 is a perspective view showing the toy vehicle in a different operating mode; and
 FIG. 8 is a perspective view showing the toy vehicle in still another operating mode.



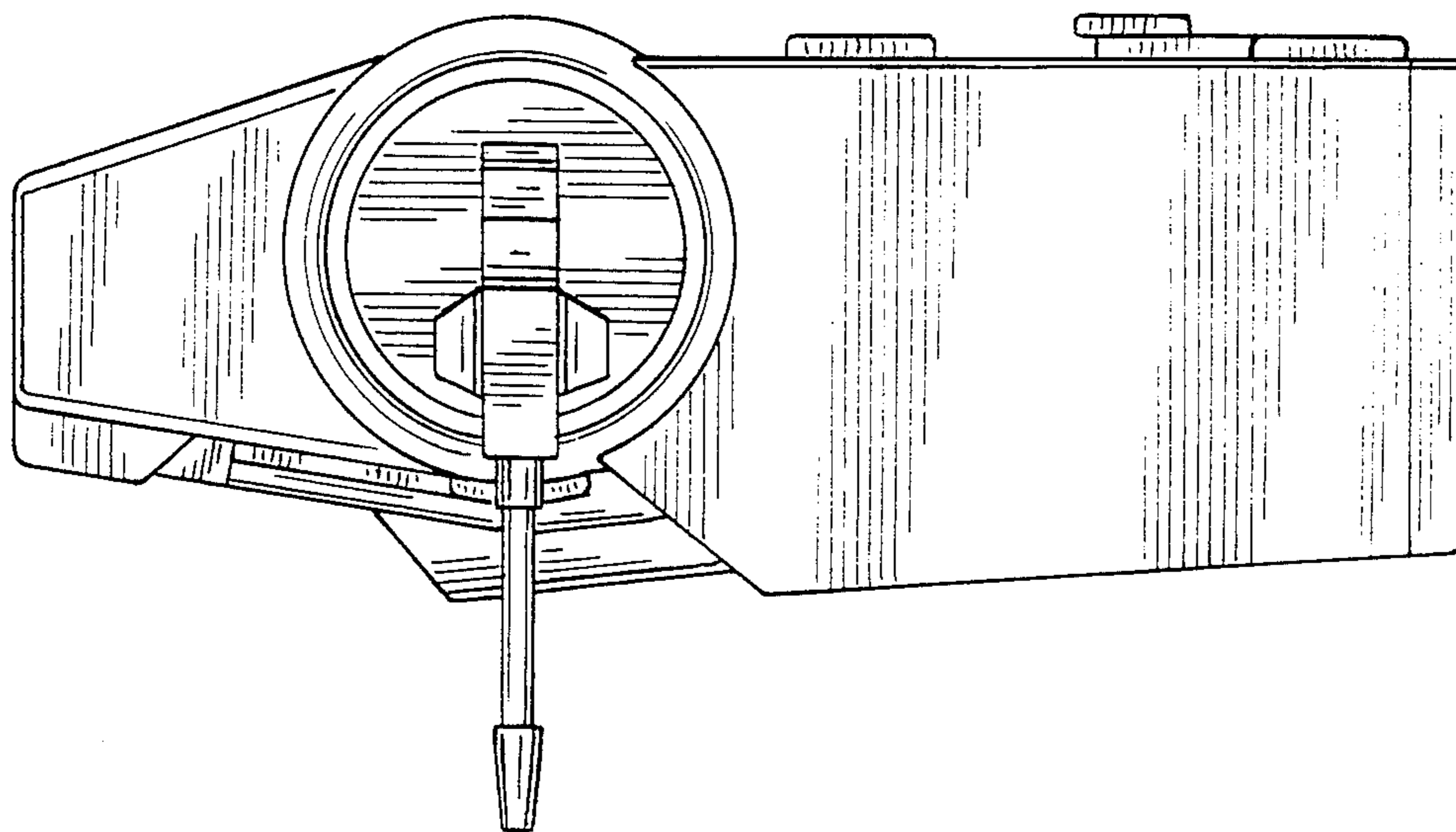


FIG. 2

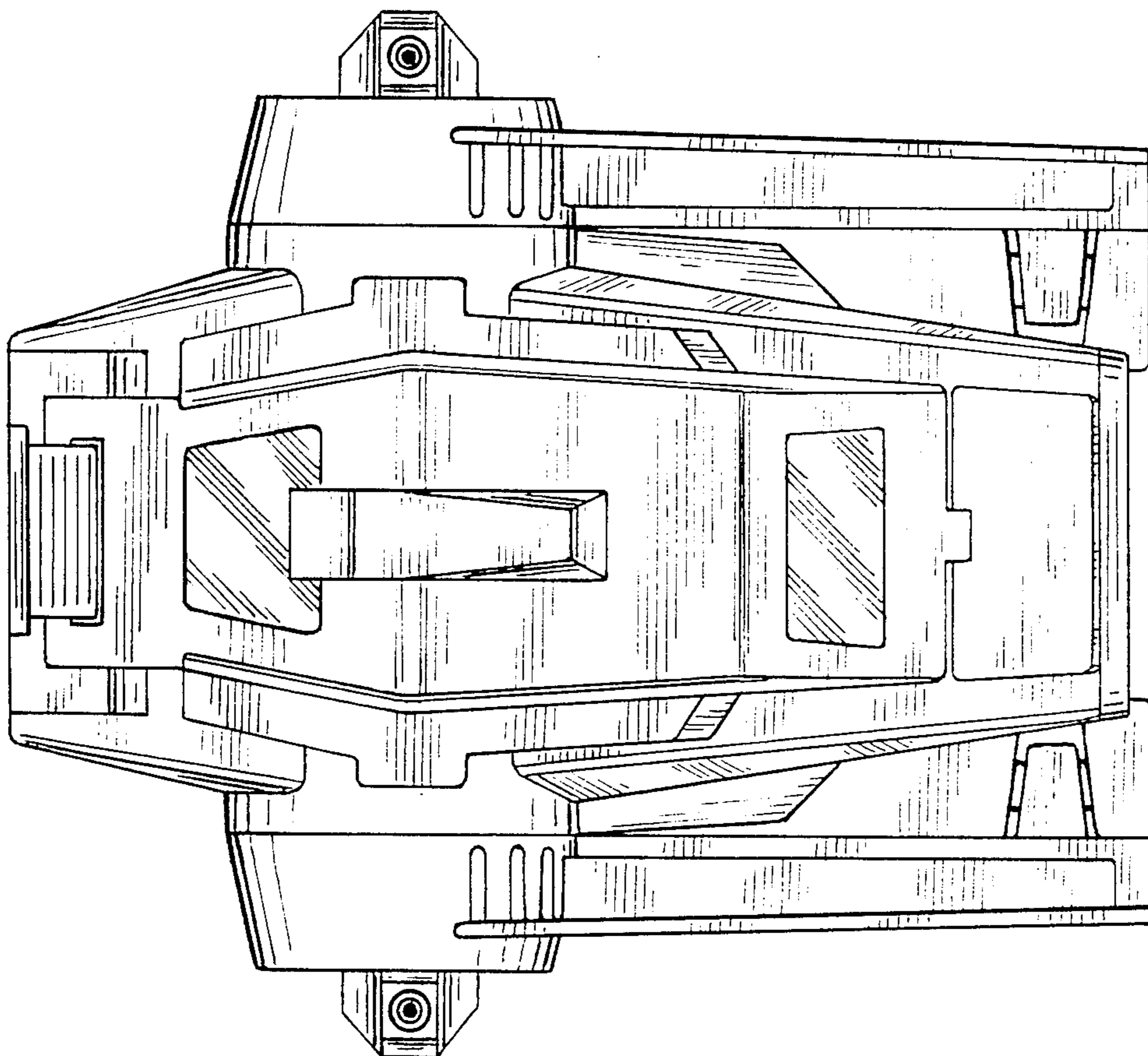


FIG. 1

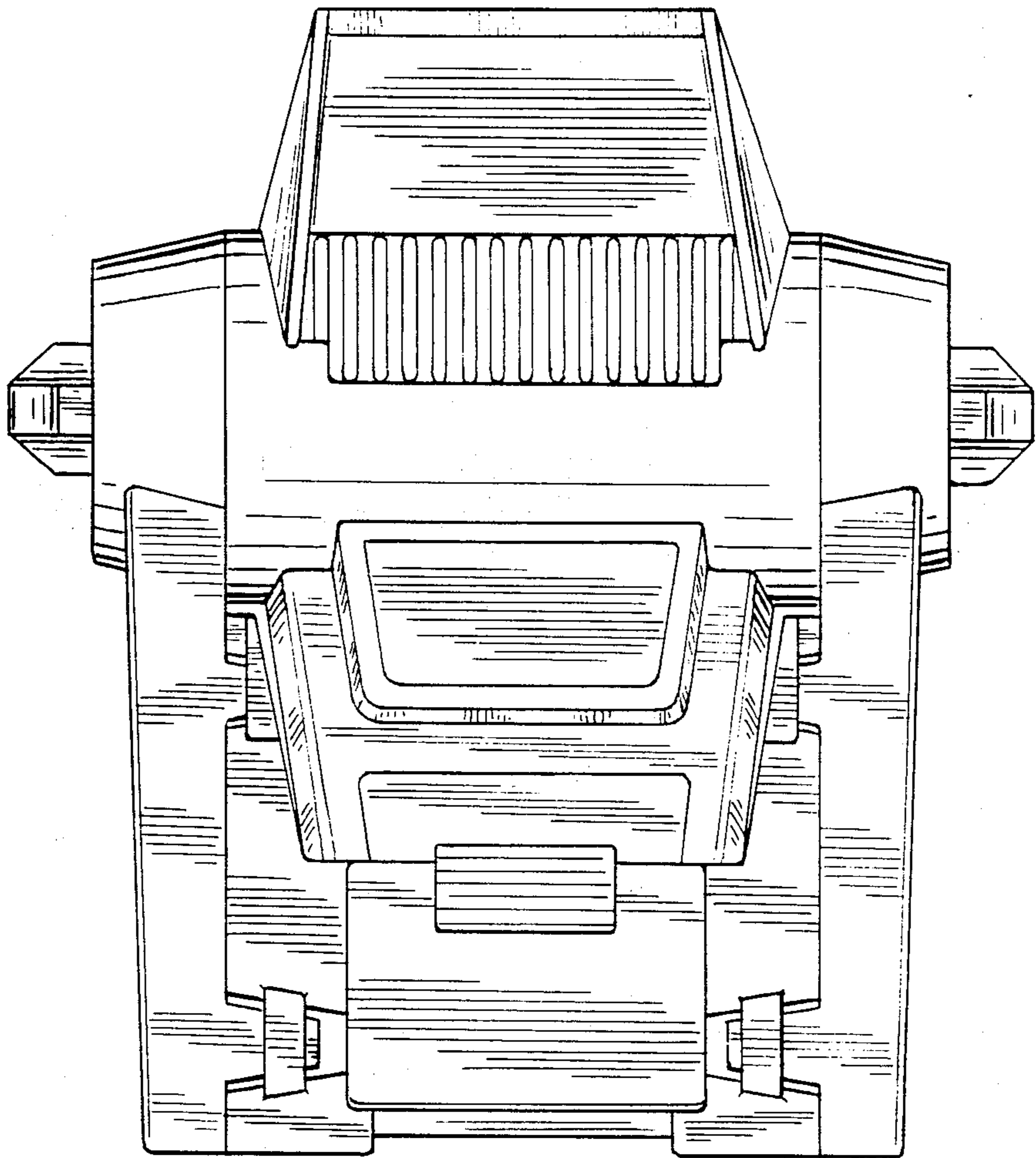


FIG. 3

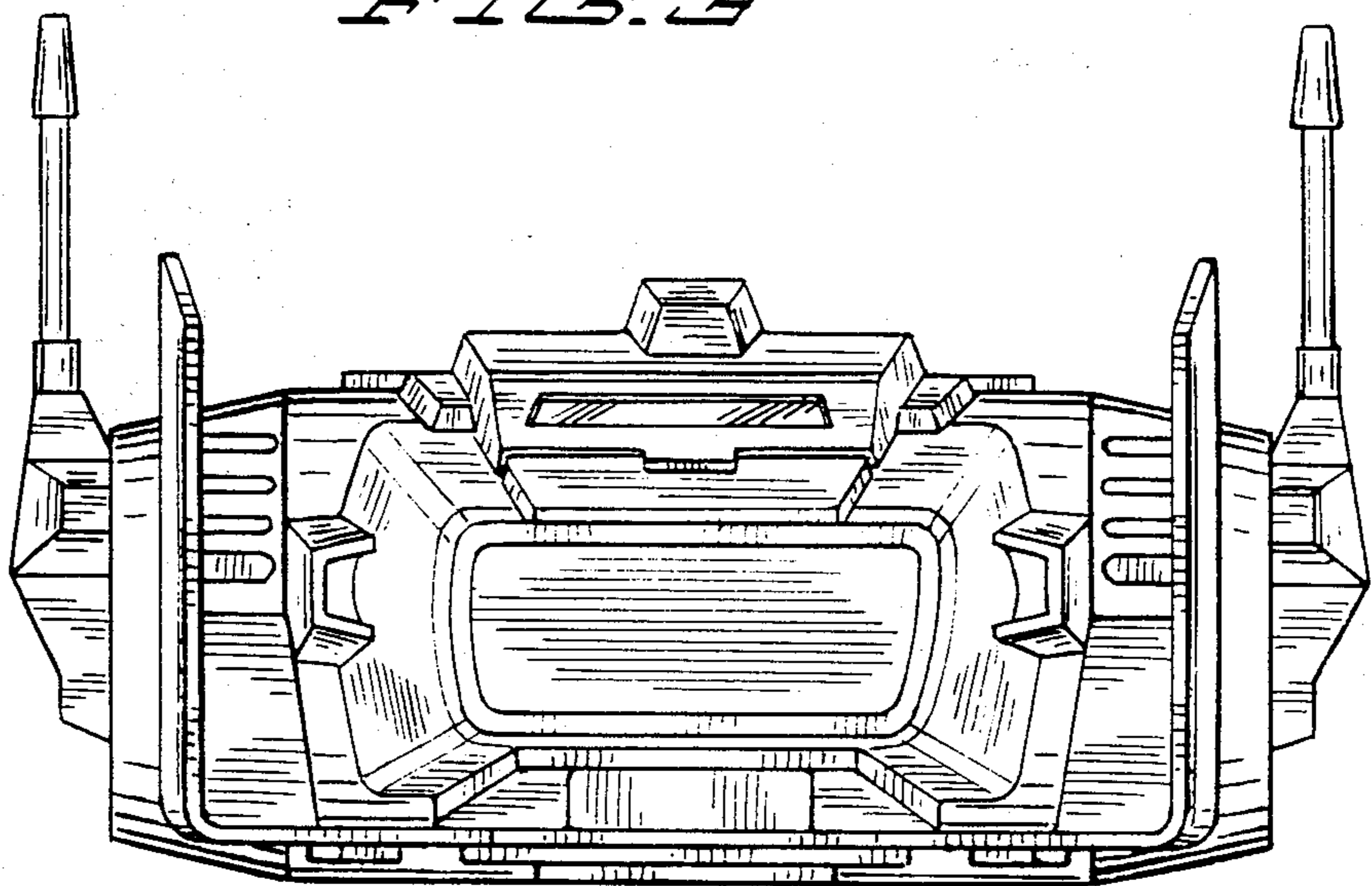


FIG. 4

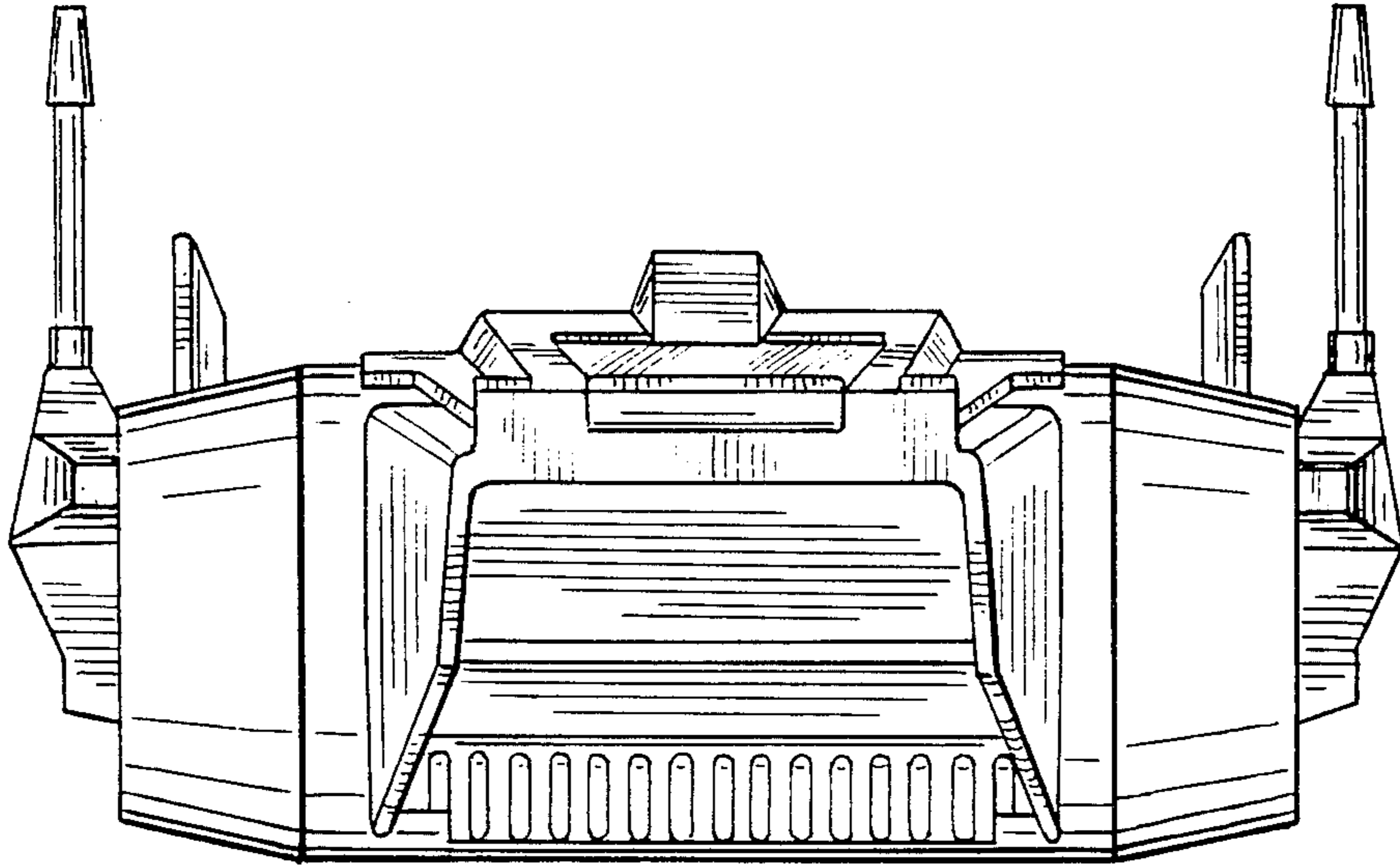


FIG. 5

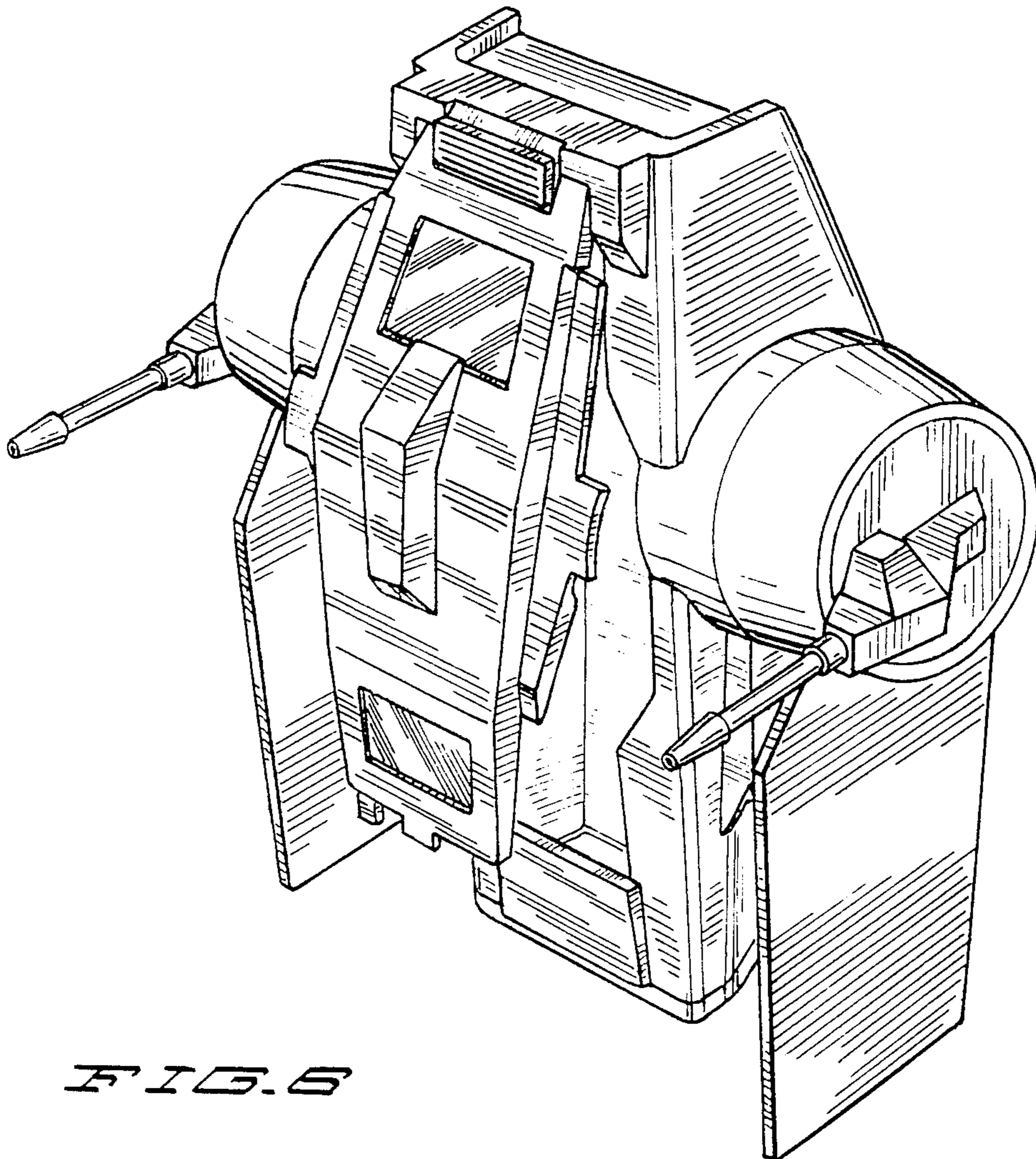
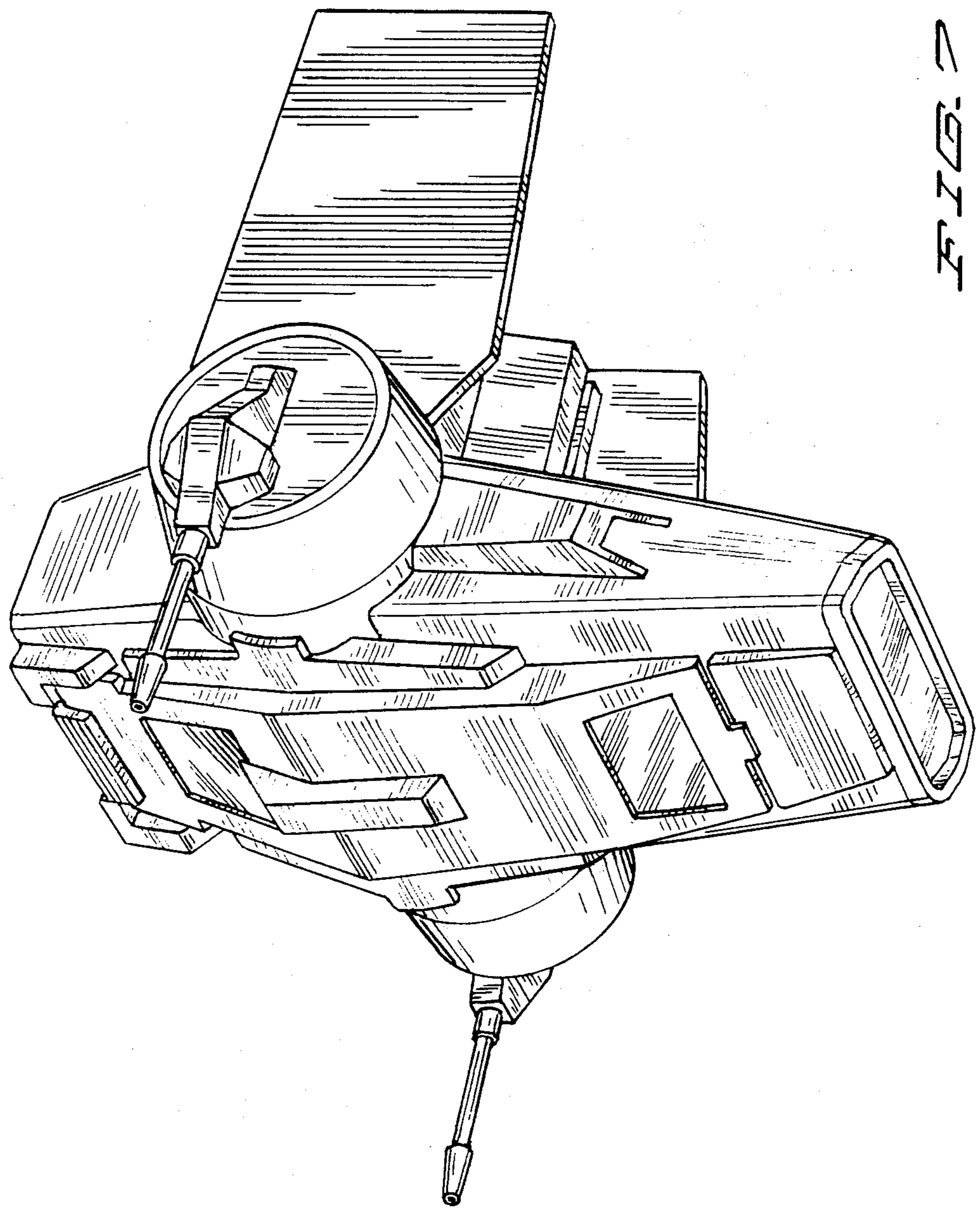


FIG. 6



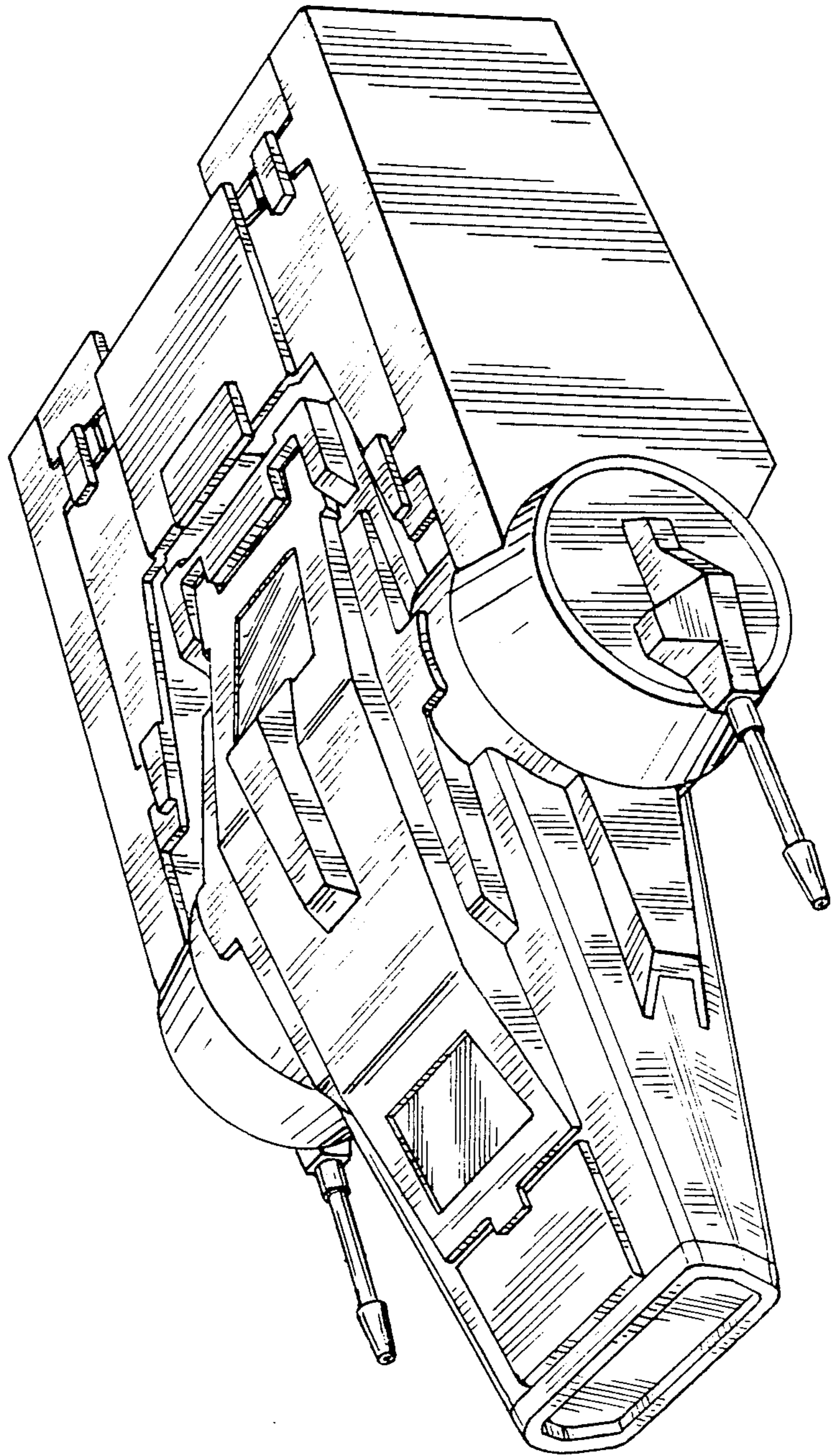


FIG. 8