

[54] ORGAN PLAYER ATTACHMENT

[76] Inventor: Lee Von Gunten, 1515 Crabtree, Arlington Heights, Ill. 60004

[**] Term: 14 Years

[21] Appl. No.: 947,935

[22] Filed: Oct. 2, 1978

[52] U.S. Cl. D17/9; D17/5; D17/7

[58] Field of Search D17/5-7, D17/9; 84/105, 108

[56] References Cited

U.S. PATENT DOCUMENTS

2,488,170 11/1949 Calamari et al. 84/105 X

FOREIGN PATENT DOCUMENTS

553017 5/1923 France 84/105
396842 8/1933 United Kingdom 84/105
462175 3/1937 United Kingdom 84/105

Primary Examiner—Joel Stearman

Assistant Examiner—Jane E. Corrigan

[57] CLAIM

The ornamental design for an organ player attachment, as shown and described.

DESCRIPTION

FIG. 1 is a right side elevational view of an organ player attachment showing my new design, the broken lines indicating the top of an organ on which the attachment is placed and forming no part of the claimed design;

FIG. 2 is a front elevational view of the attachment itself;

FIG. 3 is a left side elevational view thereof;

FIG. 4 is a top plan view thereof;

FIG. 5 is a front perspective view of the portion of the attachment which sits on top of an organ, with the hinged front cover in raised condition;

FIG. 6 is a rear elevational view of the complete attachment with the hinged front cover in closed condition; and

FIG. 7 is a bottom plan view thereof.

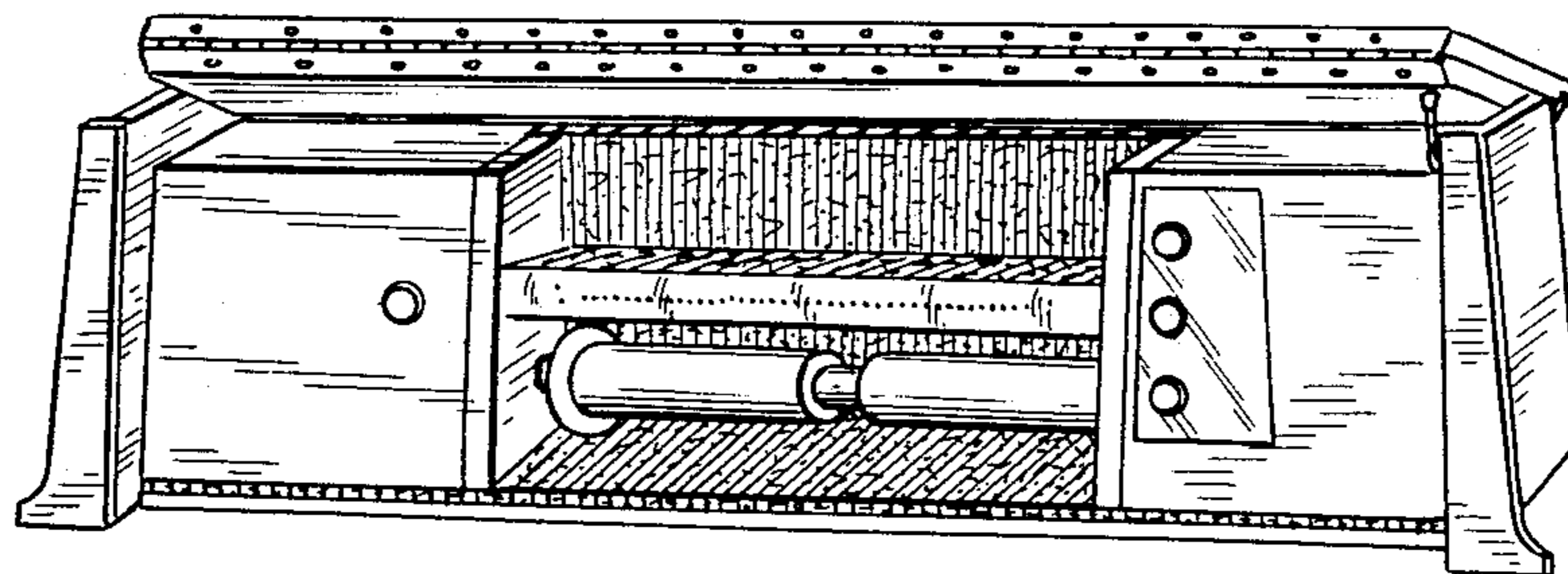
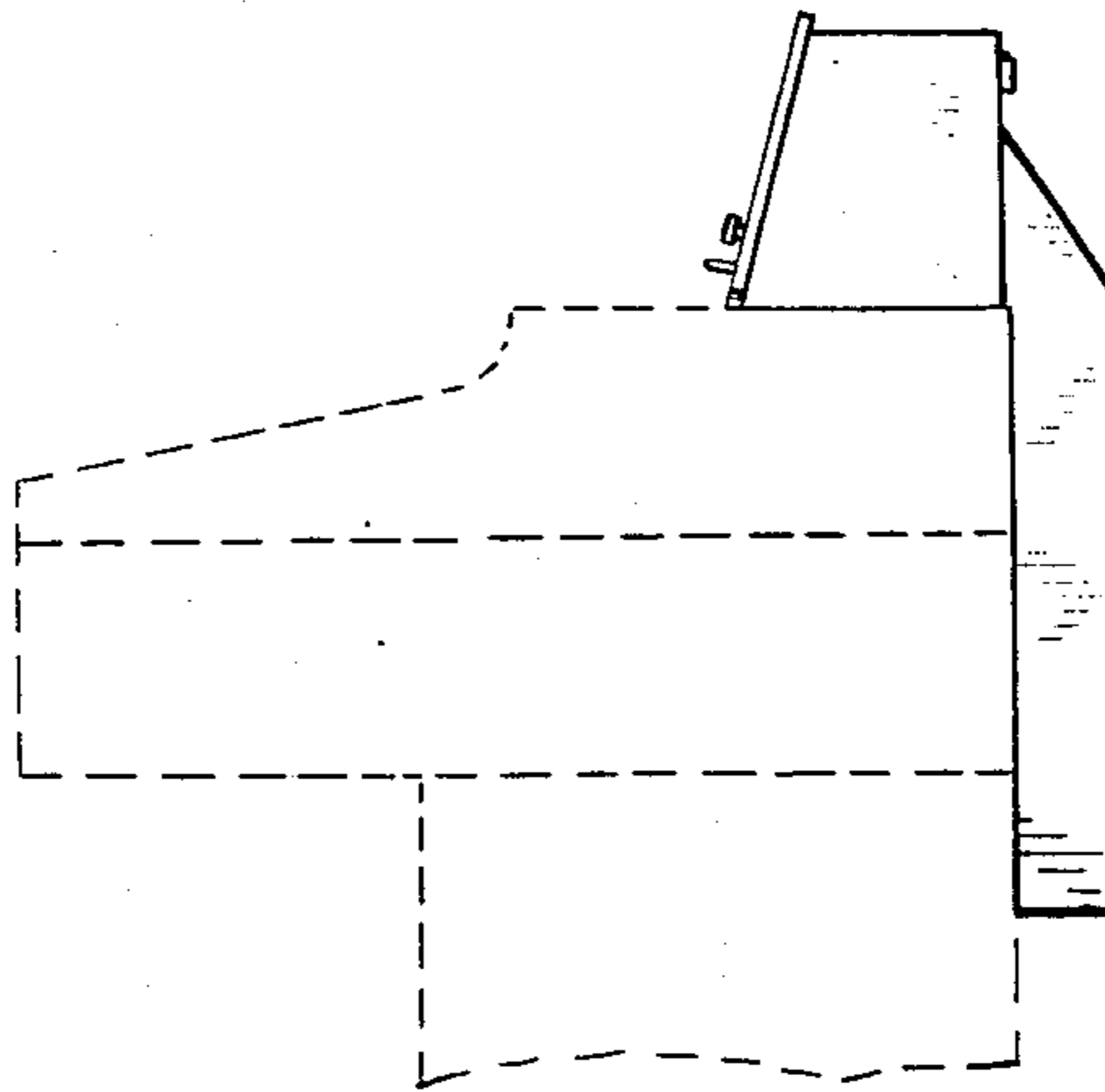


Fig. 1.

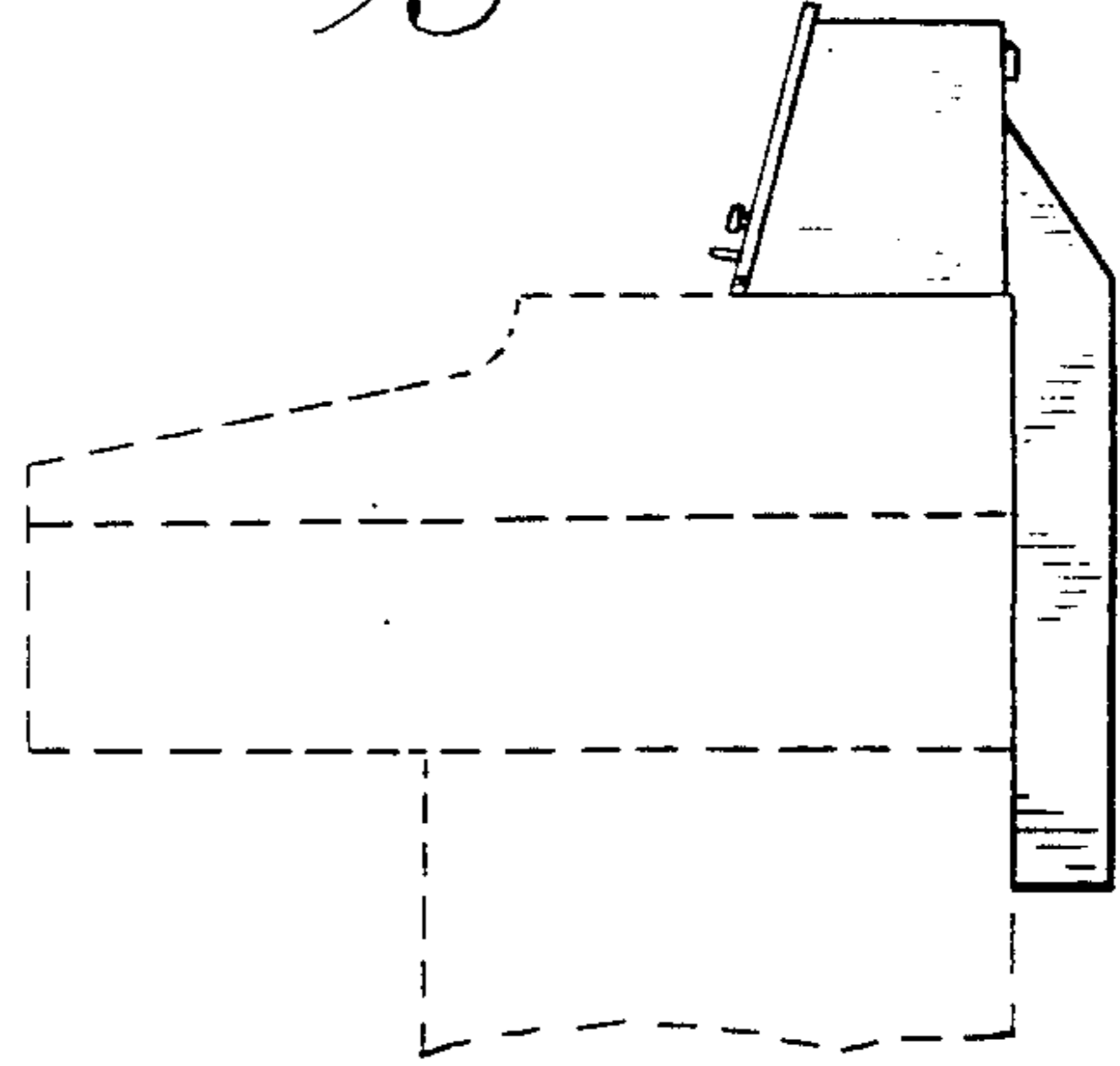


Fig. 3.

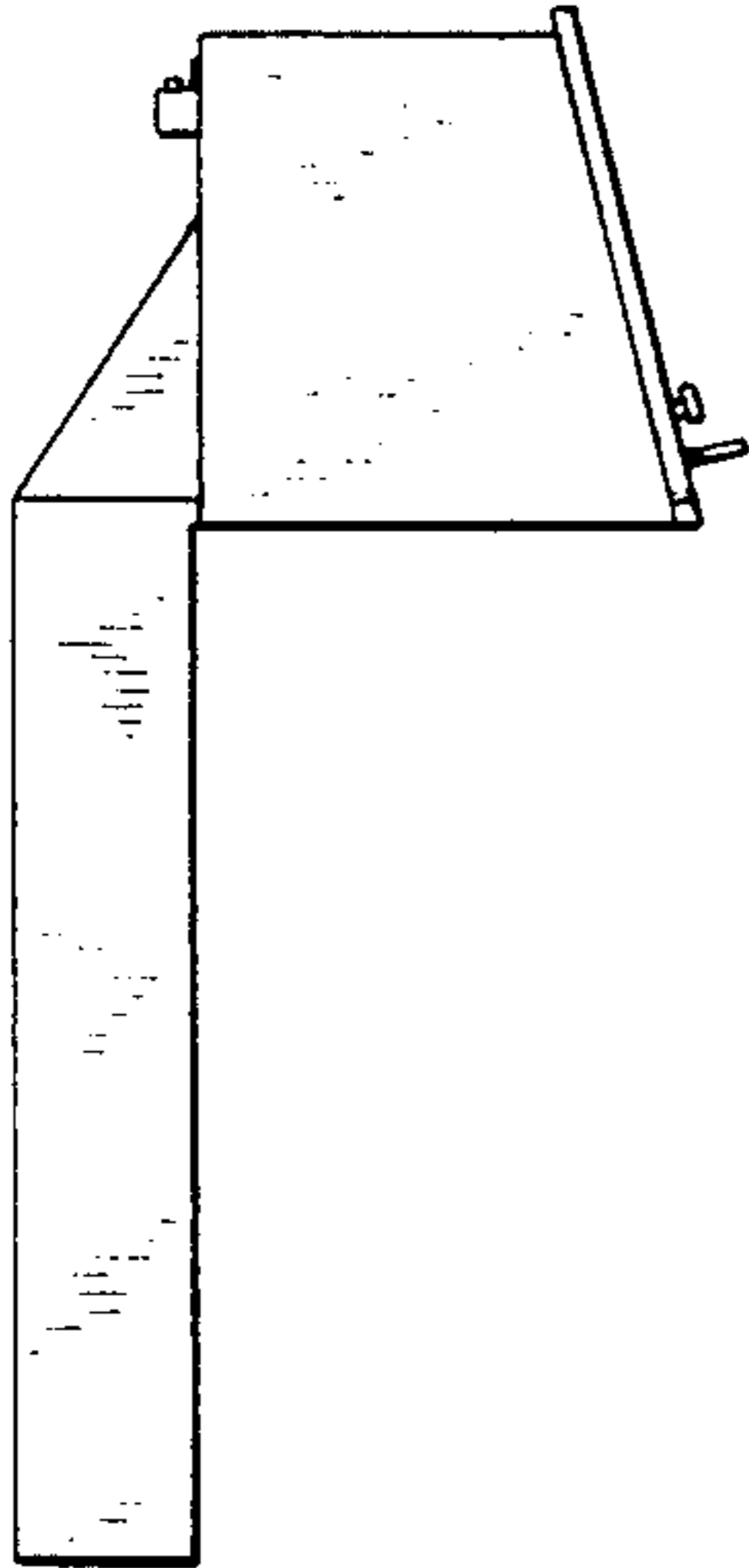


Fig. 2.

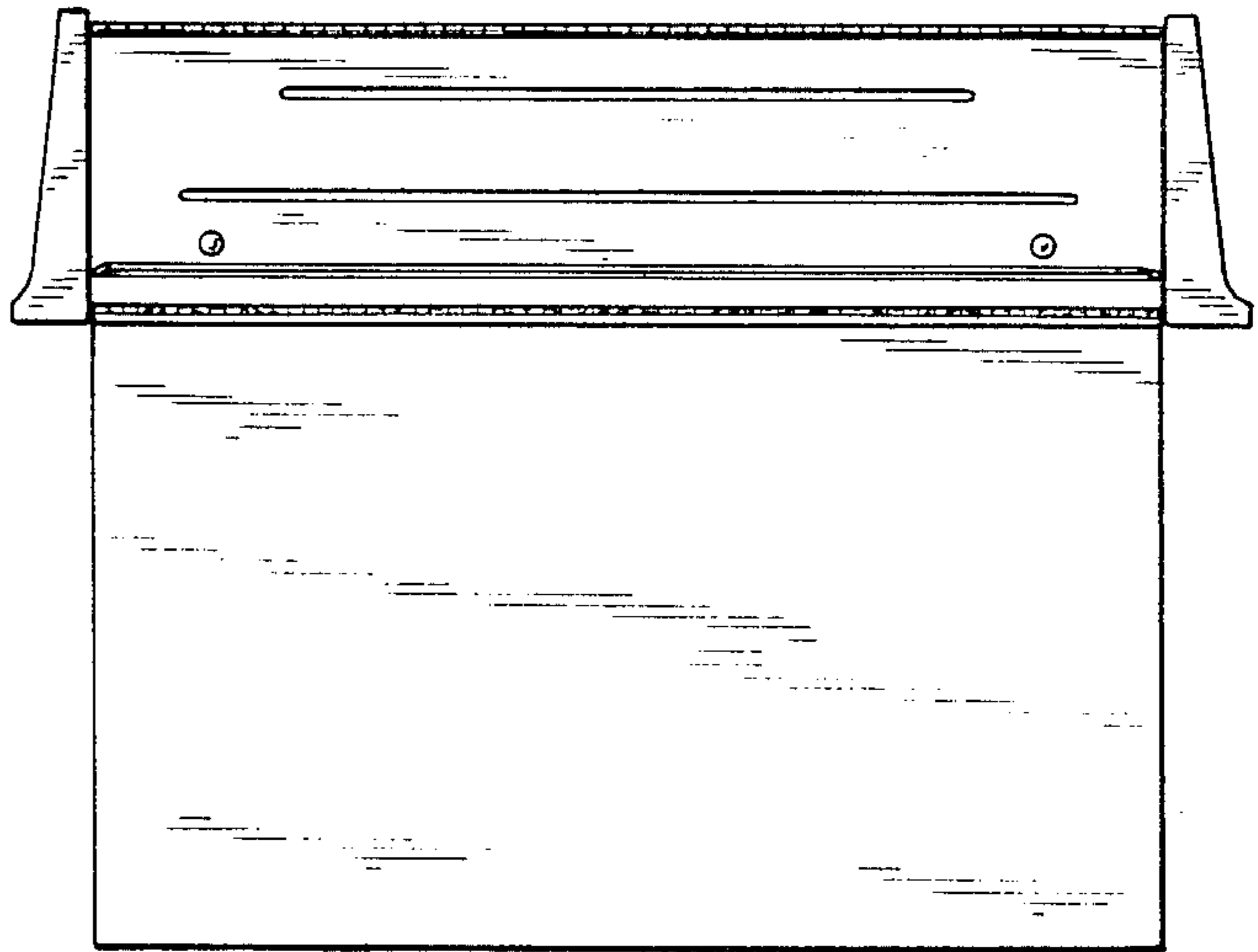


Fig. 4.

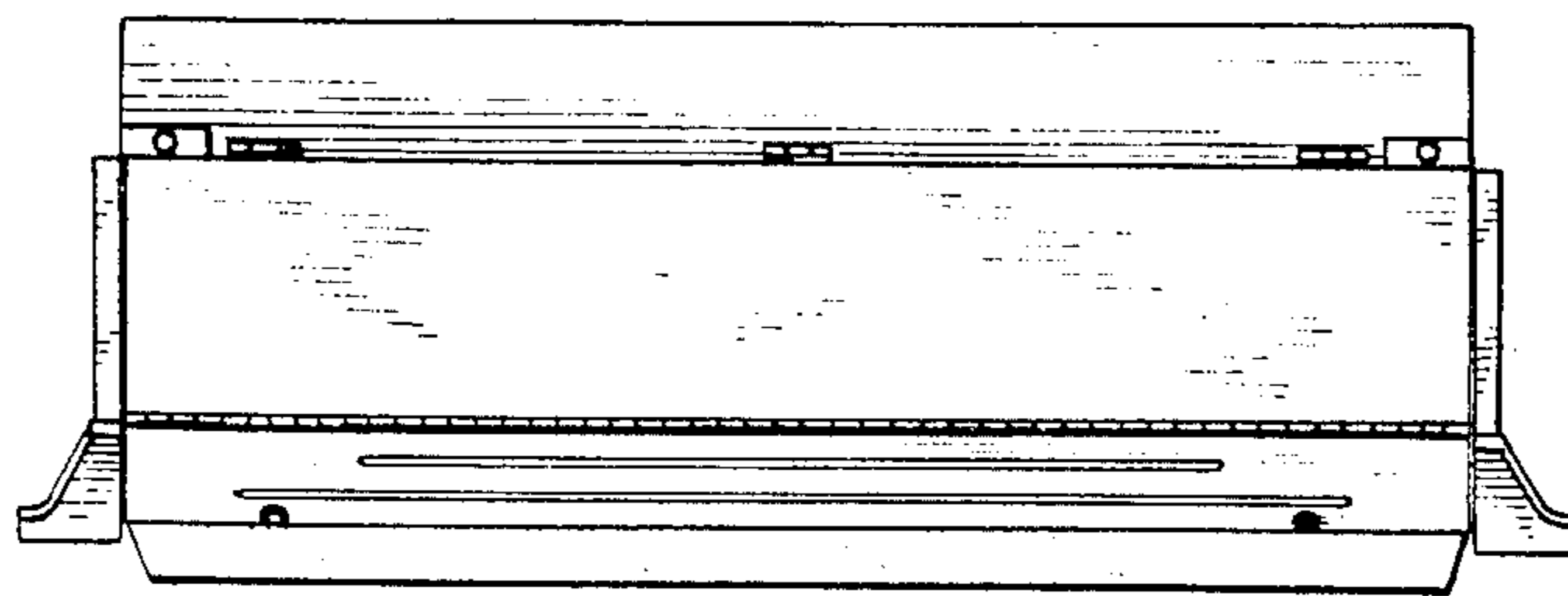


Fig. 5.

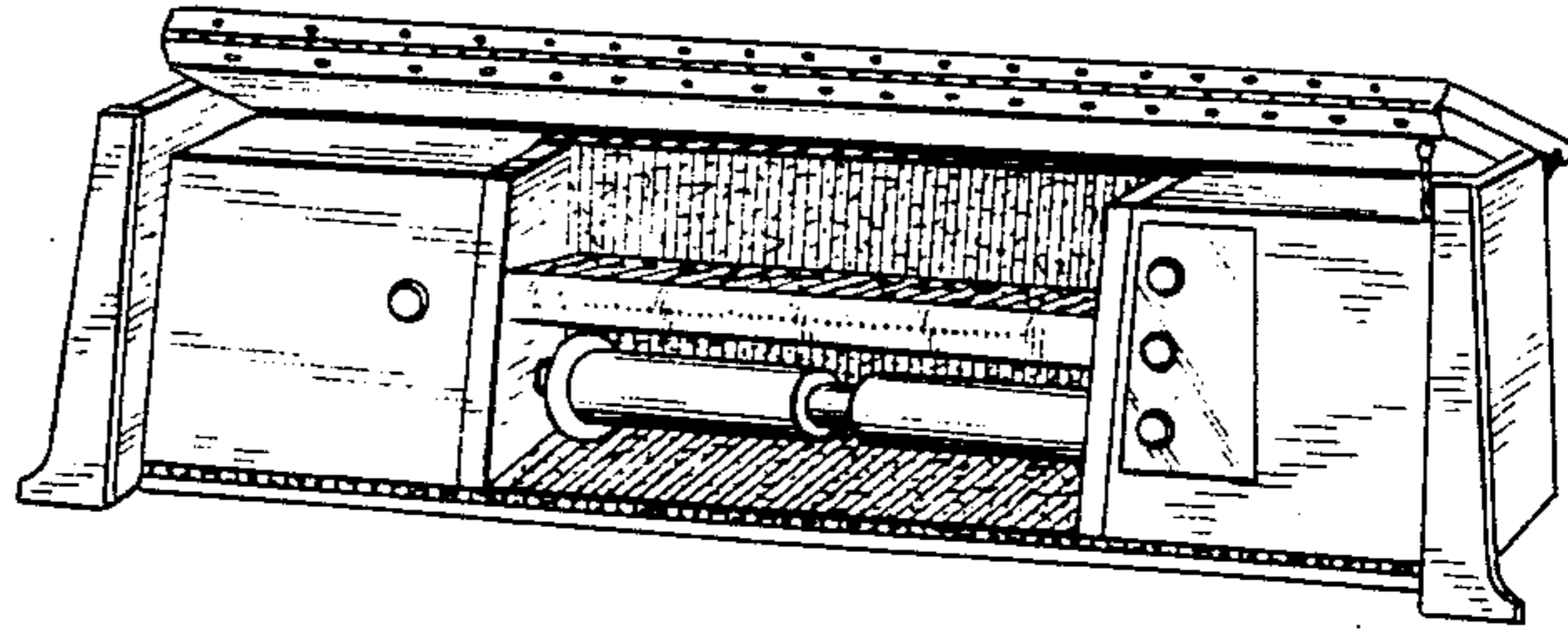


Fig. 6.

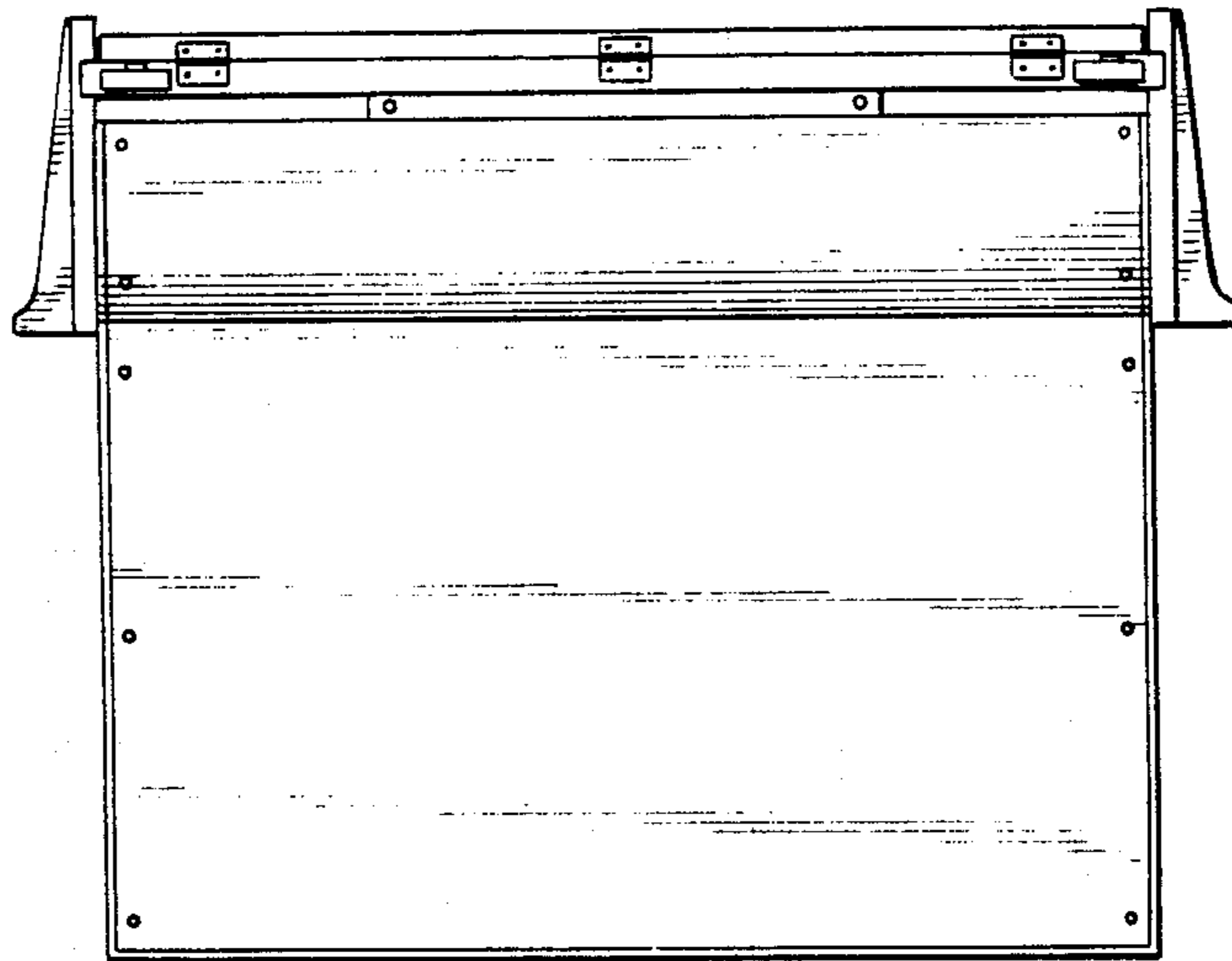


Fig. 7.

