

[54] **LOOM**

[75] **Inventor: Merry S. Riehm, East Aurora, N.Y.**

[73] **Assignee: The Quaker Oats Company, Chicago, Ill.**

[\*\*] **Term: 14 Years**

[21] **Appl. No.: 461,657**

[22] **Filed: Jan. 27, 1983**

[52] **U.S. Cl. .... D15/66**

[58] **Field of Search ..... D15/69, 66, 68; D3/18; 112/63, 258-261; 28/151, 152; 139/34**

[56] **References Cited**

**U.S. PATENT DOCUMENTS**

D. 222,149 10/1971 Early ..... D15/66 X  
D. 234,327 2/1975 Rodwell ..... D15/66  
2,504,940 4/1950 Wallach ..... 28/151

**FOREIGN PATENT DOCUMENTS**

462225 3/1951 Italy ..... 28/151

**OTHER PUBLICATIONS**

*Better Homes and Gardens*, Nov. 1976, p. 212, Weaving Loom, top left panel.

*Primary Examiner*—Bernard Ansher

*Assistant Examiner*—Linda Titolo

*Attorney, Agent, or Firm*—Cumpston & Shaw

[57] **CLAIM**

The ornamental design for a loom, substantially as shown and described.

**DESCRIPTION**

FIG. 1 is a perspective view of a loom showing my new design;

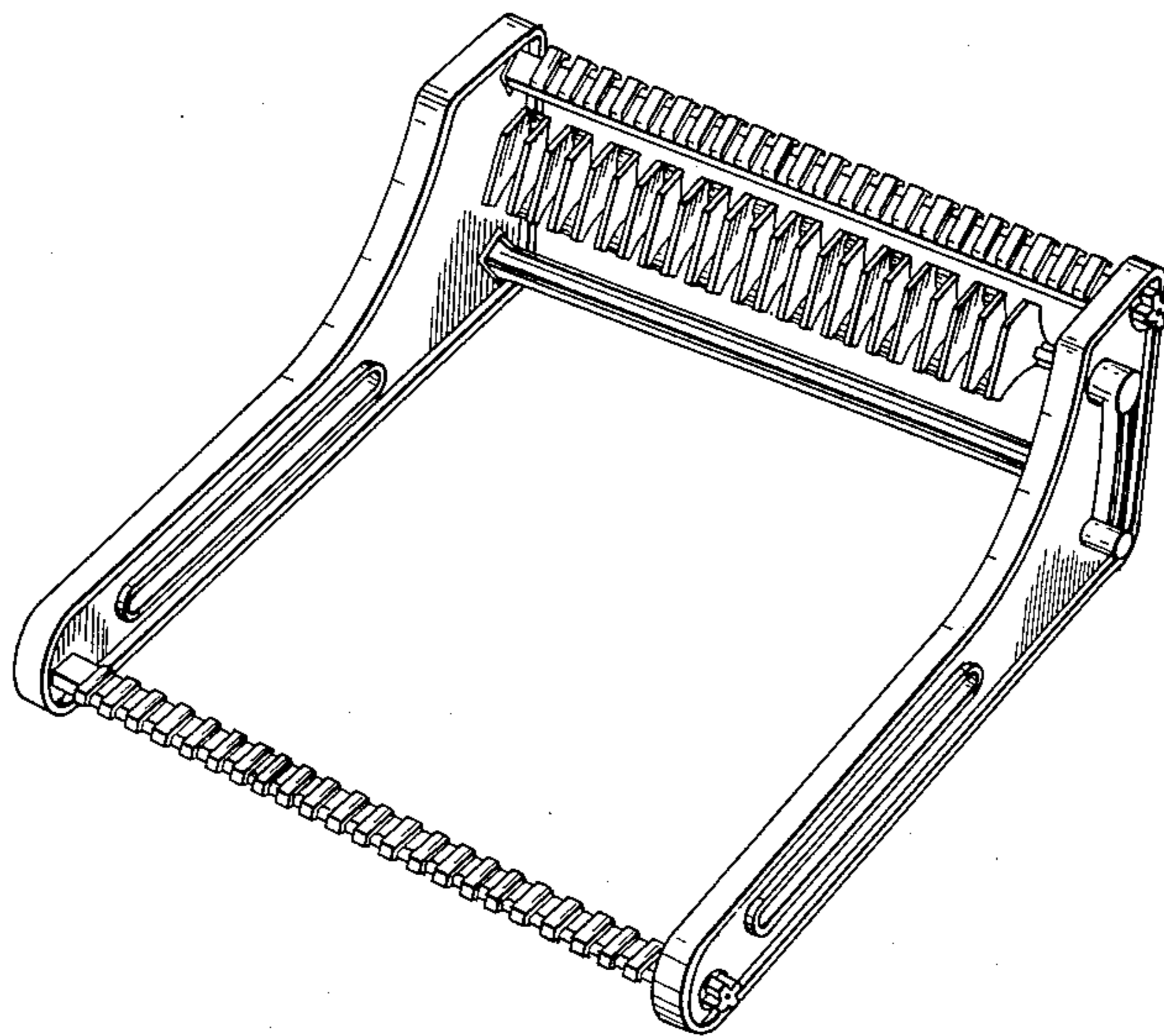
FIG. 2 is a front elevational view thereof;

FIG. 3 is an enlarged fragmentary cross-sectional view thereof taken on line 3—3 of FIG. 2;

FIG. 4 is a left side elevational view thereof;

FIG. 5 is a rear elevational view thereof; and

FIG. 6 is a partial bottom plan view thereof.



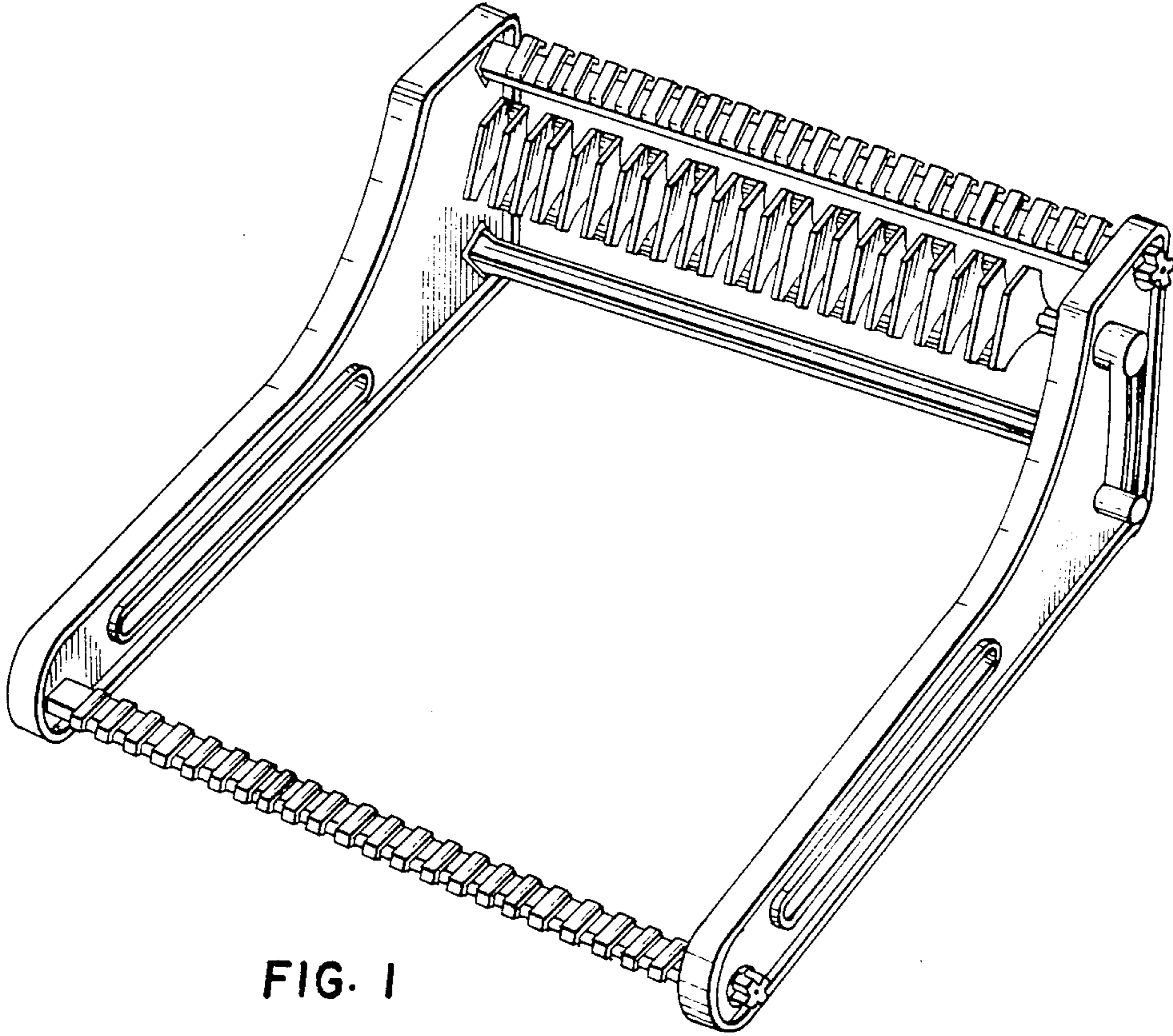


FIG. 1

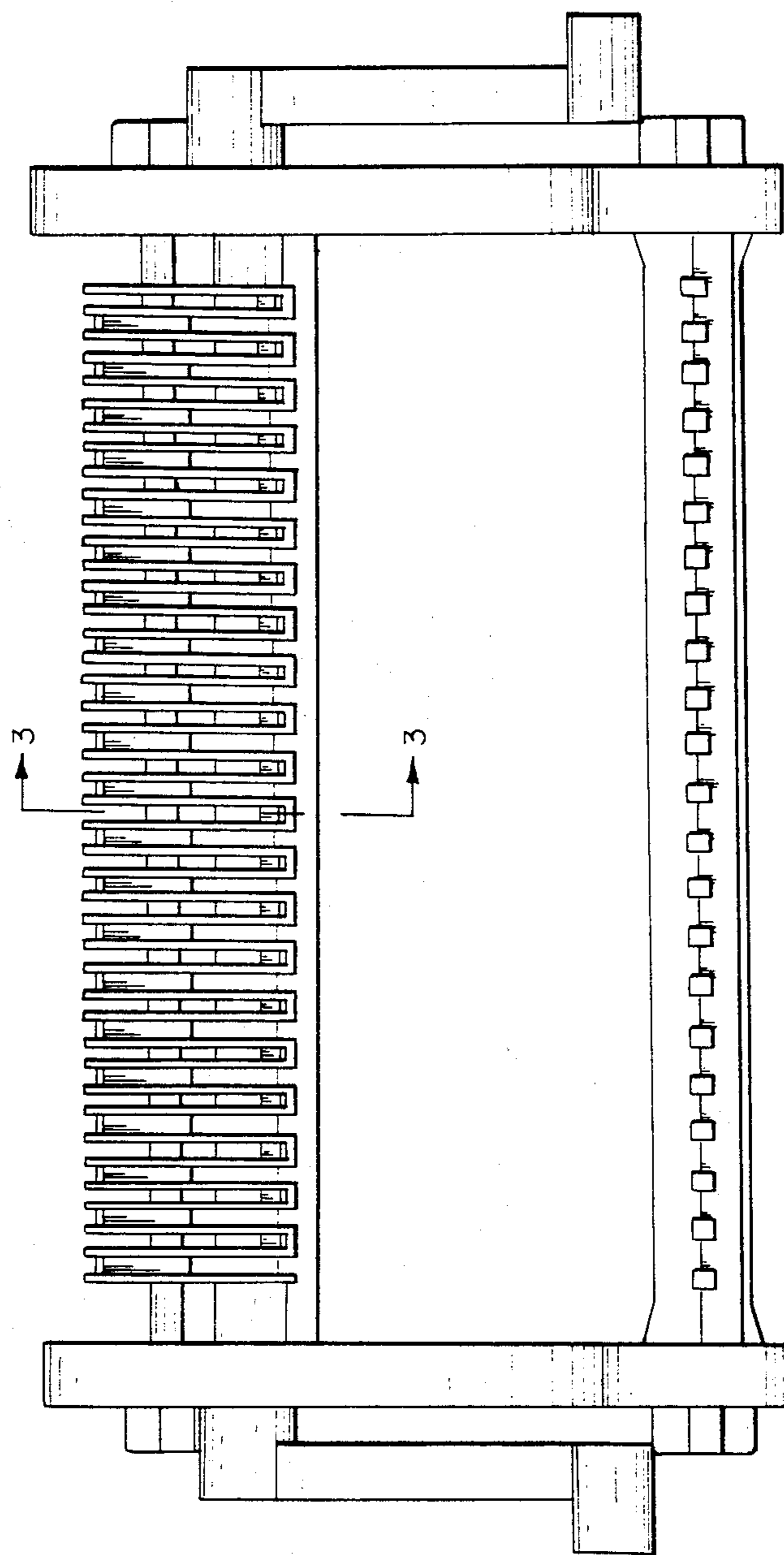


FIG. 2

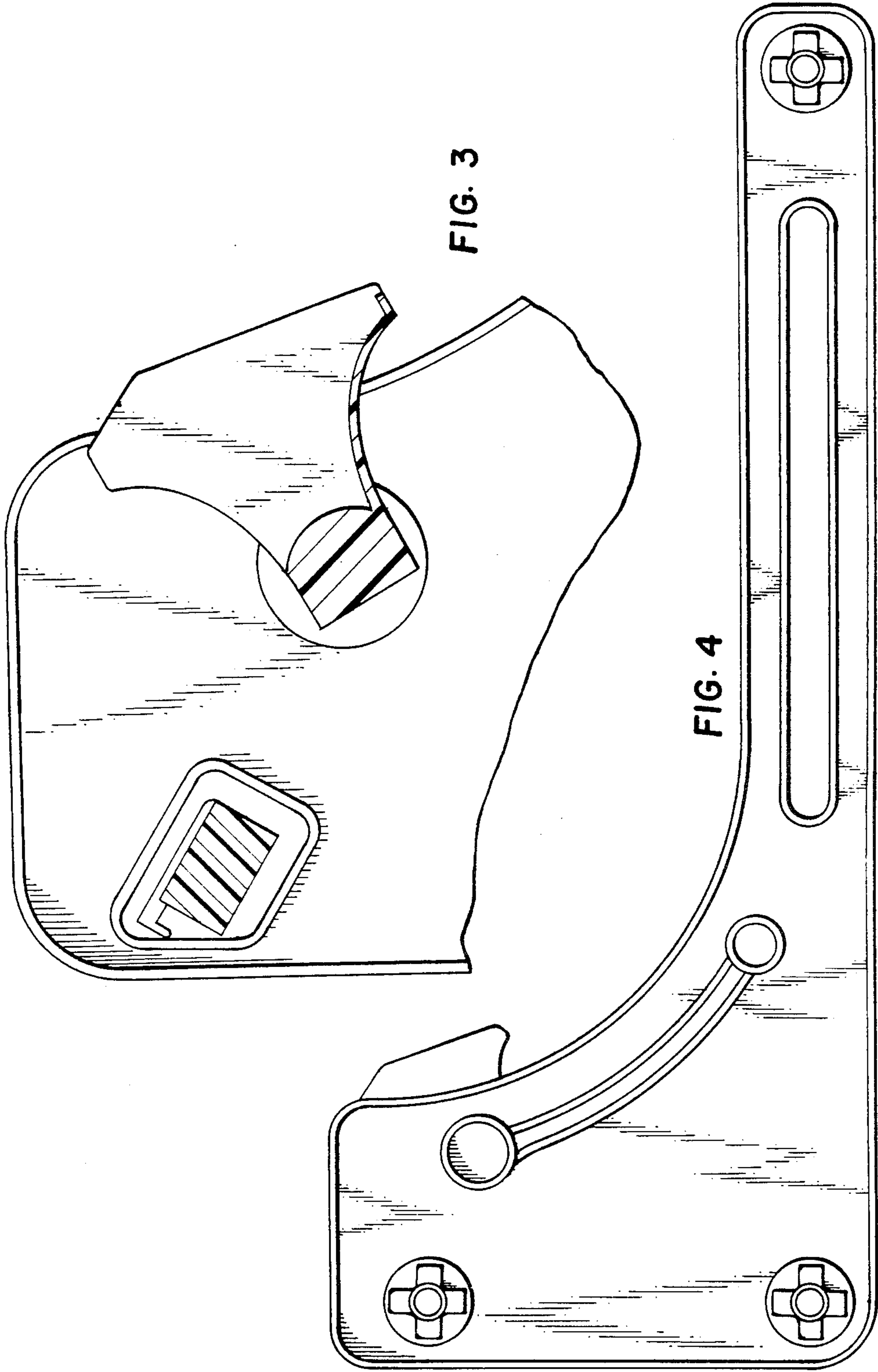


FIG. 3

FIG. 4

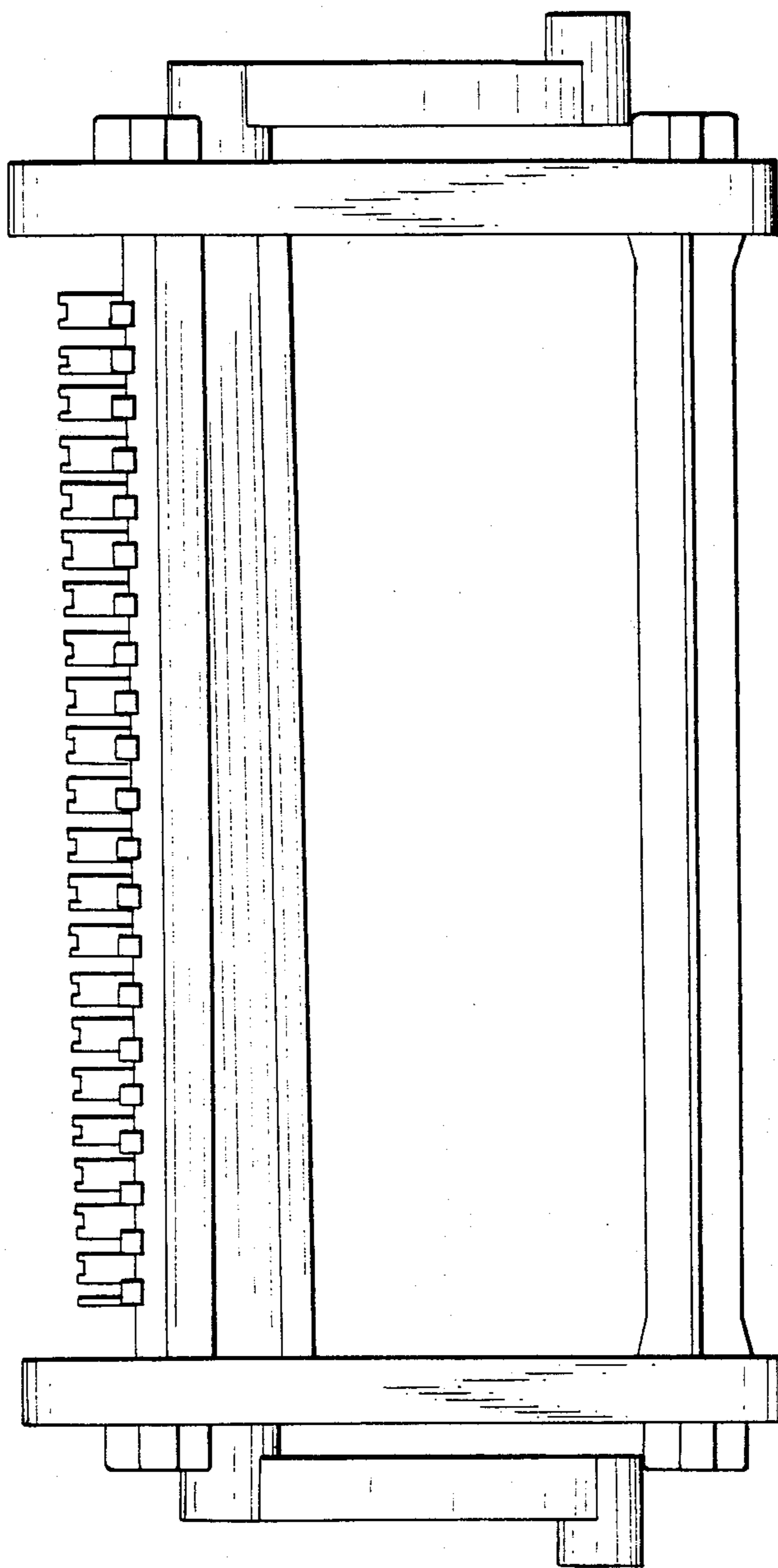


FIG. 5

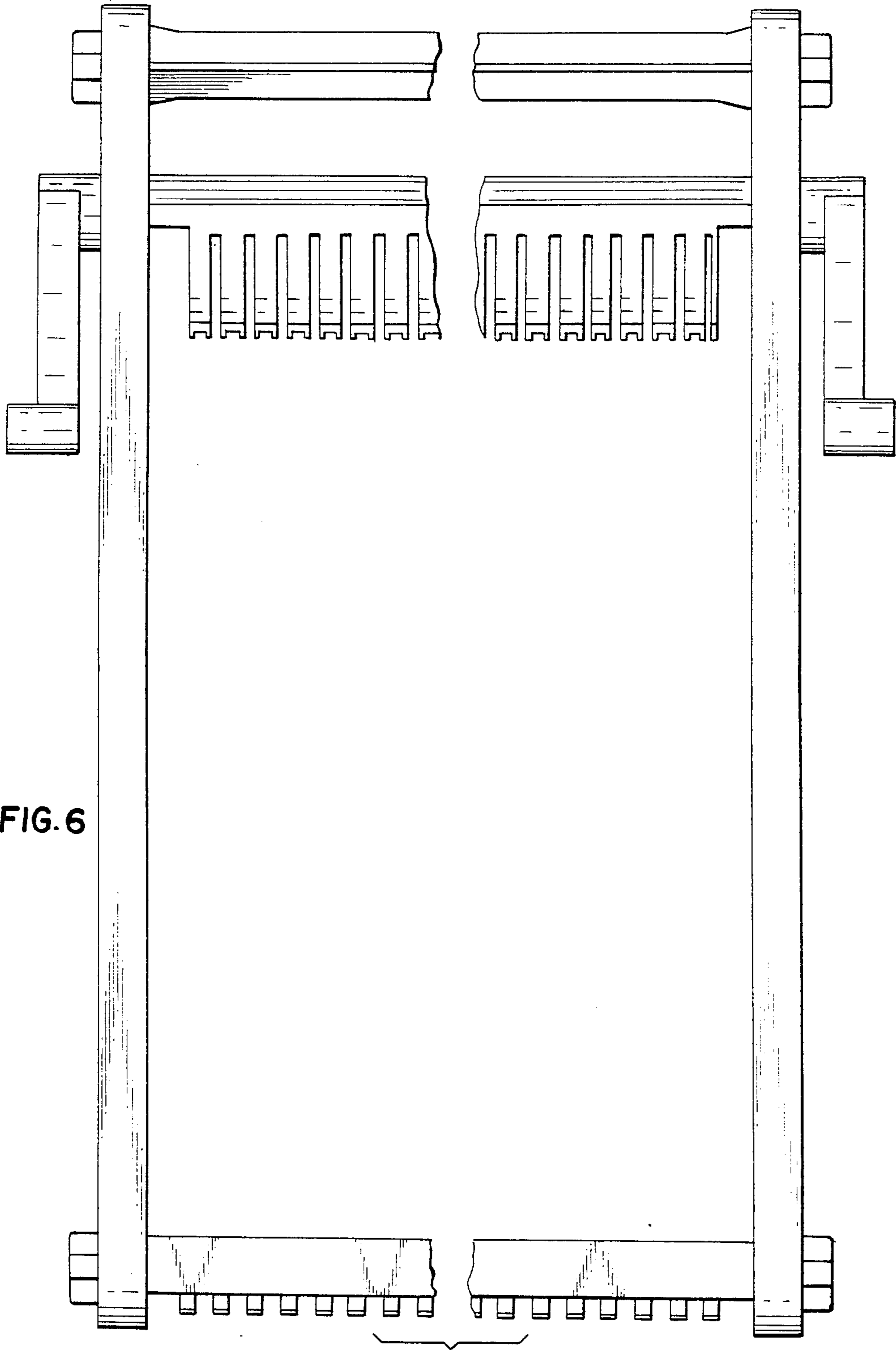


FIG. 6