

[54] CODE ATTACHMENT HOUSING FOR A TELEPHONE STAND

0127203 10/1979 Japan ..... 179/6.3 CC  
2077013A 12/1981 United Kingdom ..... 179/6.3 CC

[75] Inventor: Morison Cousins, New York, N.Y.

OTHER PUBLICATIONS

[73] Assignee: International Mobile Machines Corp., Bala Cynwyd, Pa.

Darling Display Cord Brochure, No. 310, p. 33, Item JL-210.

[\*\*] Term: 14 Years

Primary Examiner—Wallace R. Burke  
Assistant Examiner—Horace B. Fay  
Attorney, Agent, or Firm—Arthur A. Jacobs

[21] Appl. No.: 396,874

[57] CLAIM

[22] Filed: Jul. 9, 1982

The ornamental design for a code attachment housing for a telephone stand, substantially as shown.

[52] U.S. Cl. .... D14/60; D14/59

[58] Field of Search ..... D14/53, 59, 60, 113, D14/114; D10/5, 21, 24, 25, 26; 179/6.3 CC; D25/74

DESCRIPTION

[56] References Cited

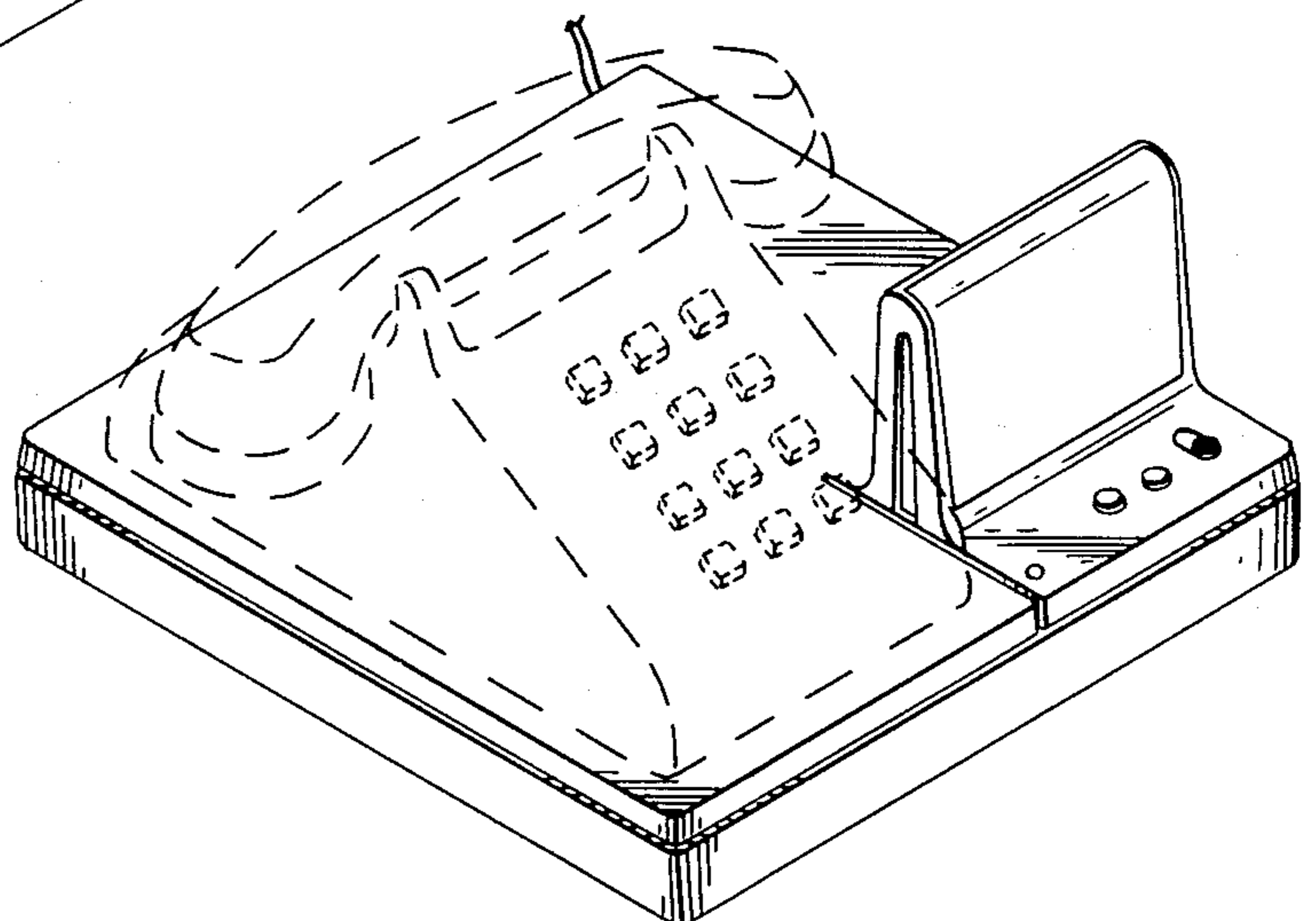
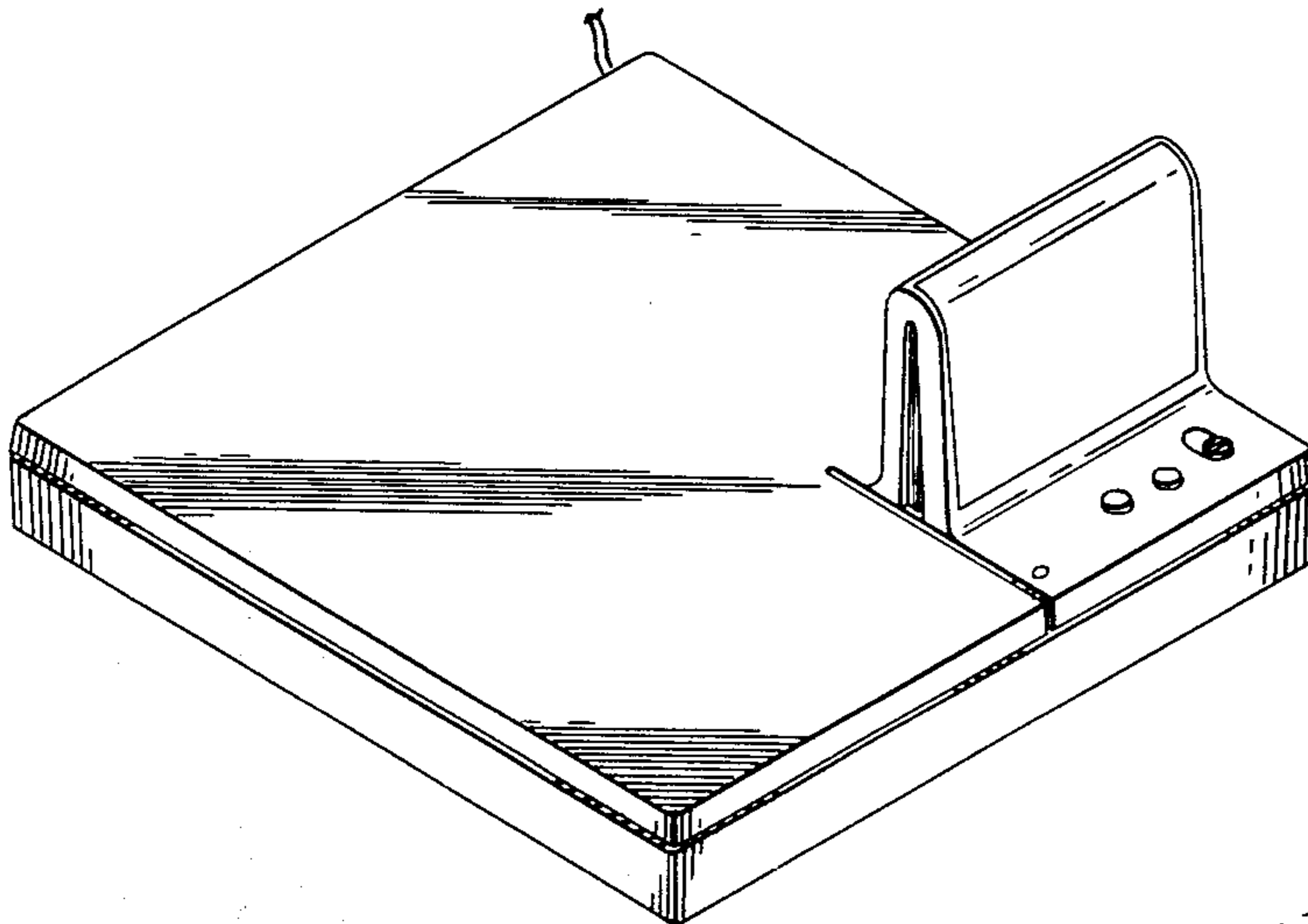
U.S. PATENT DOCUMENTS

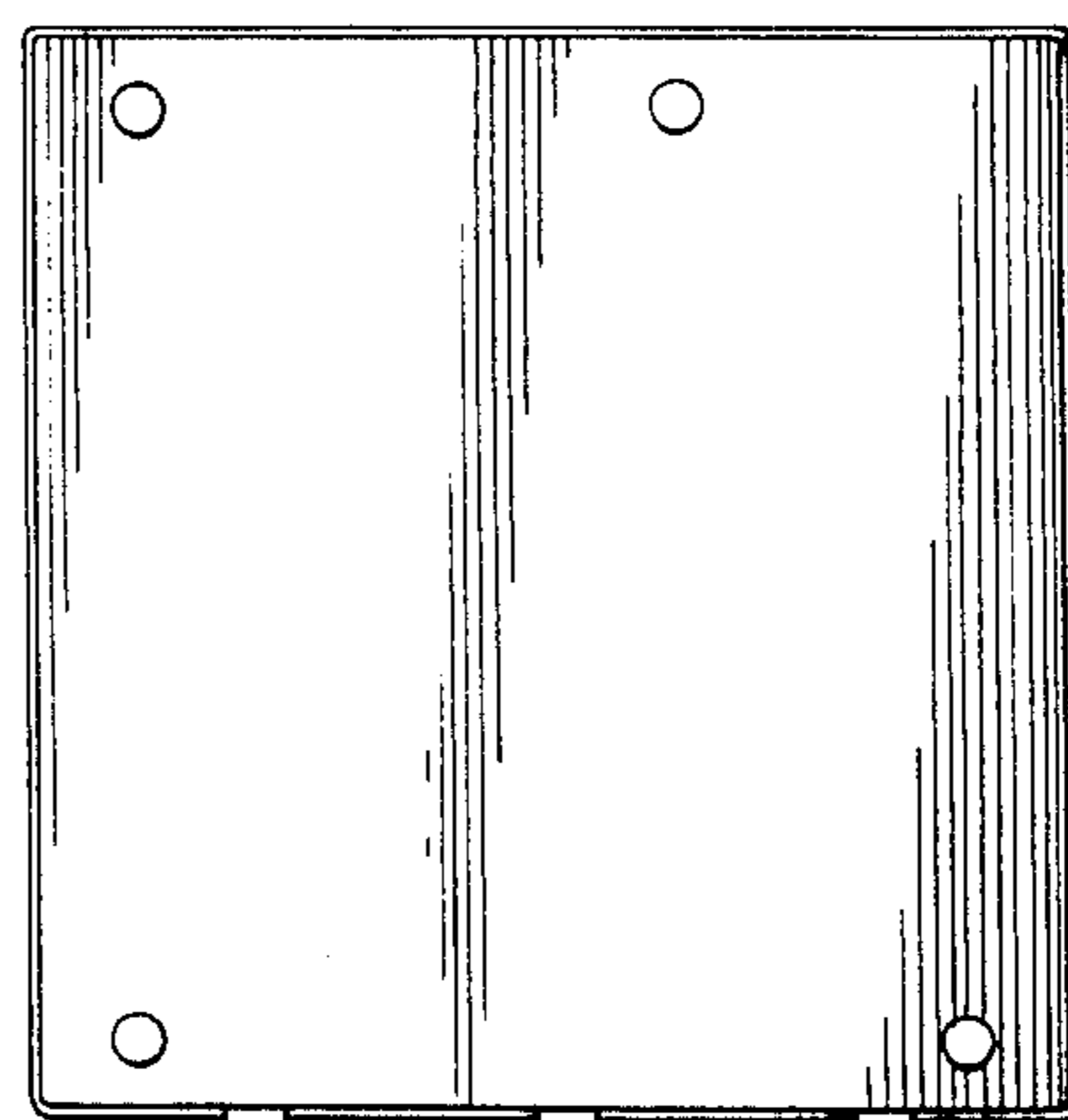
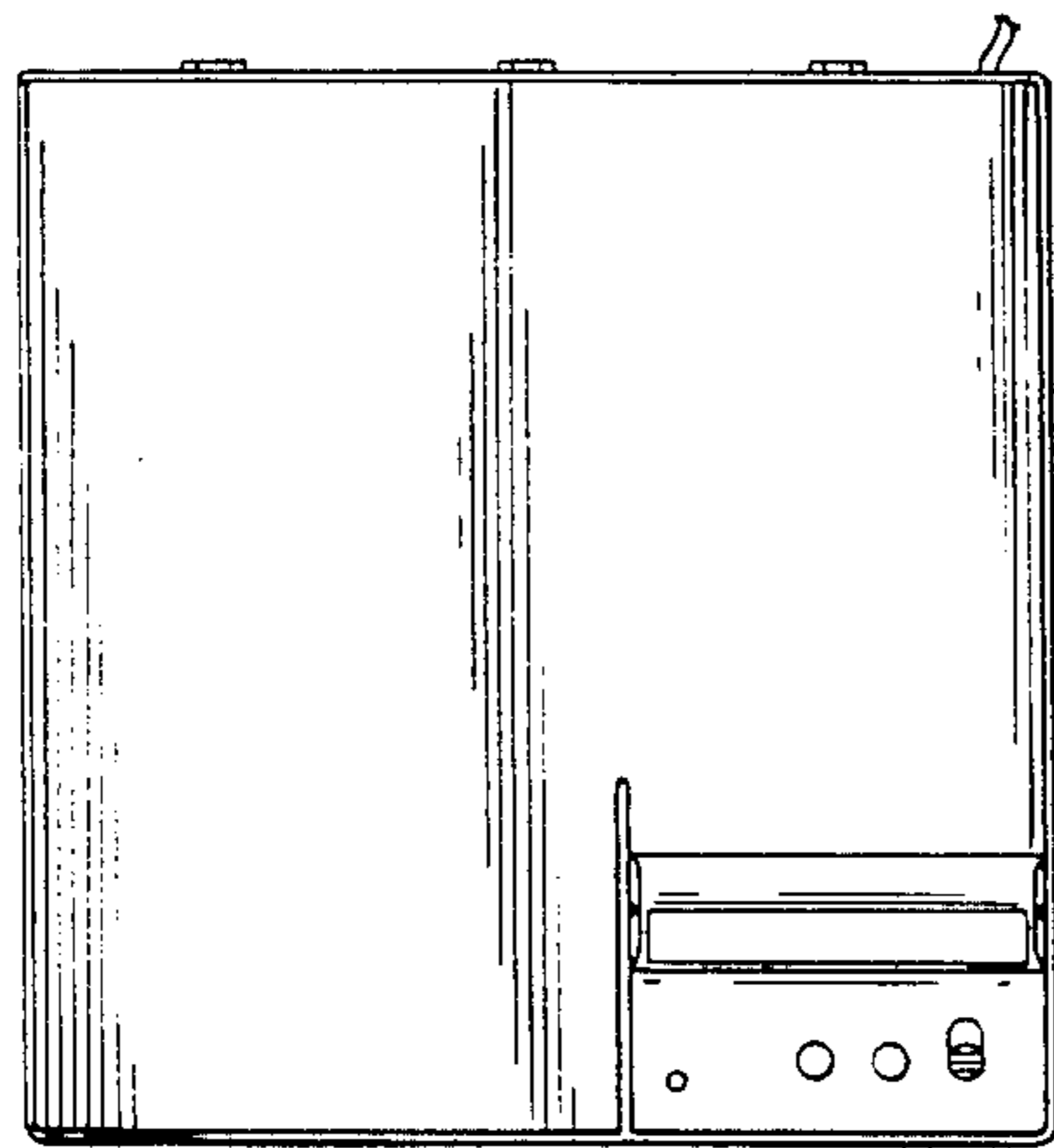
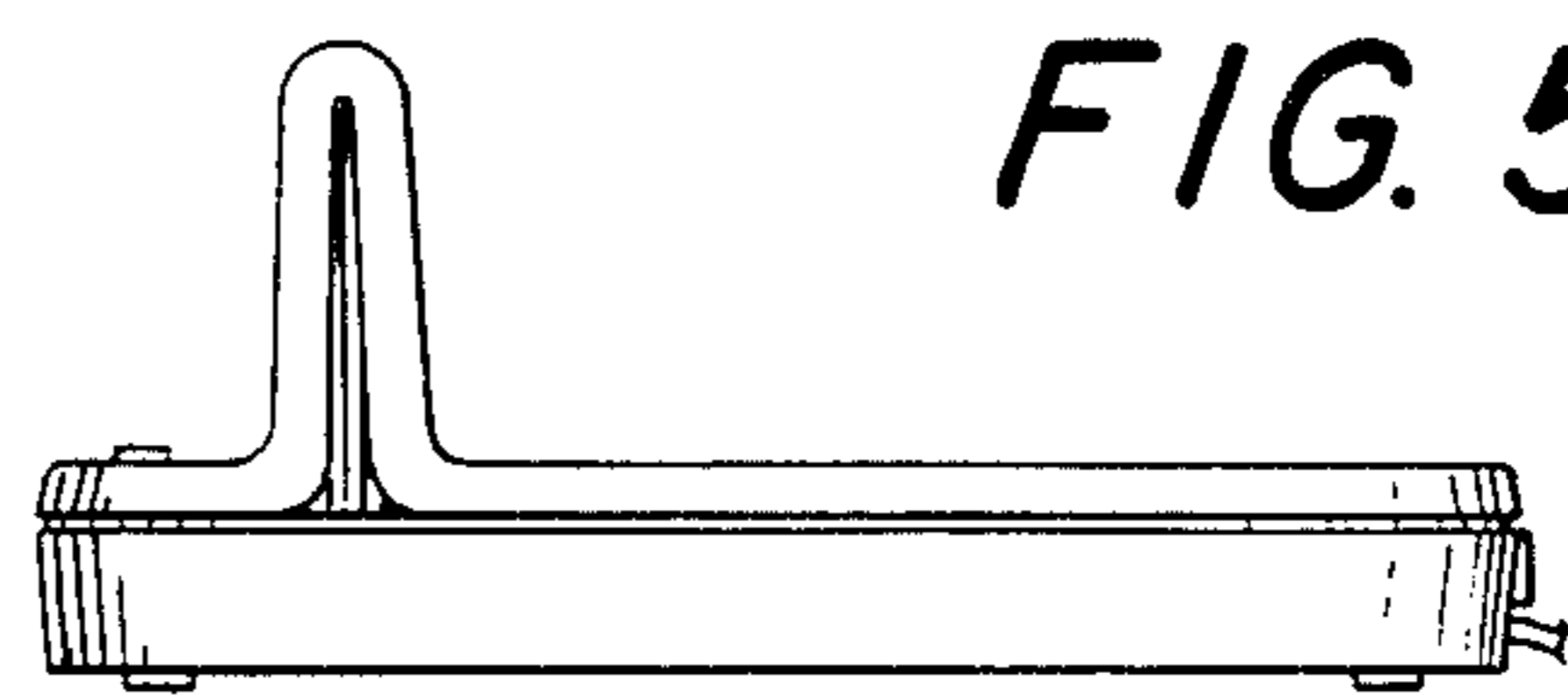
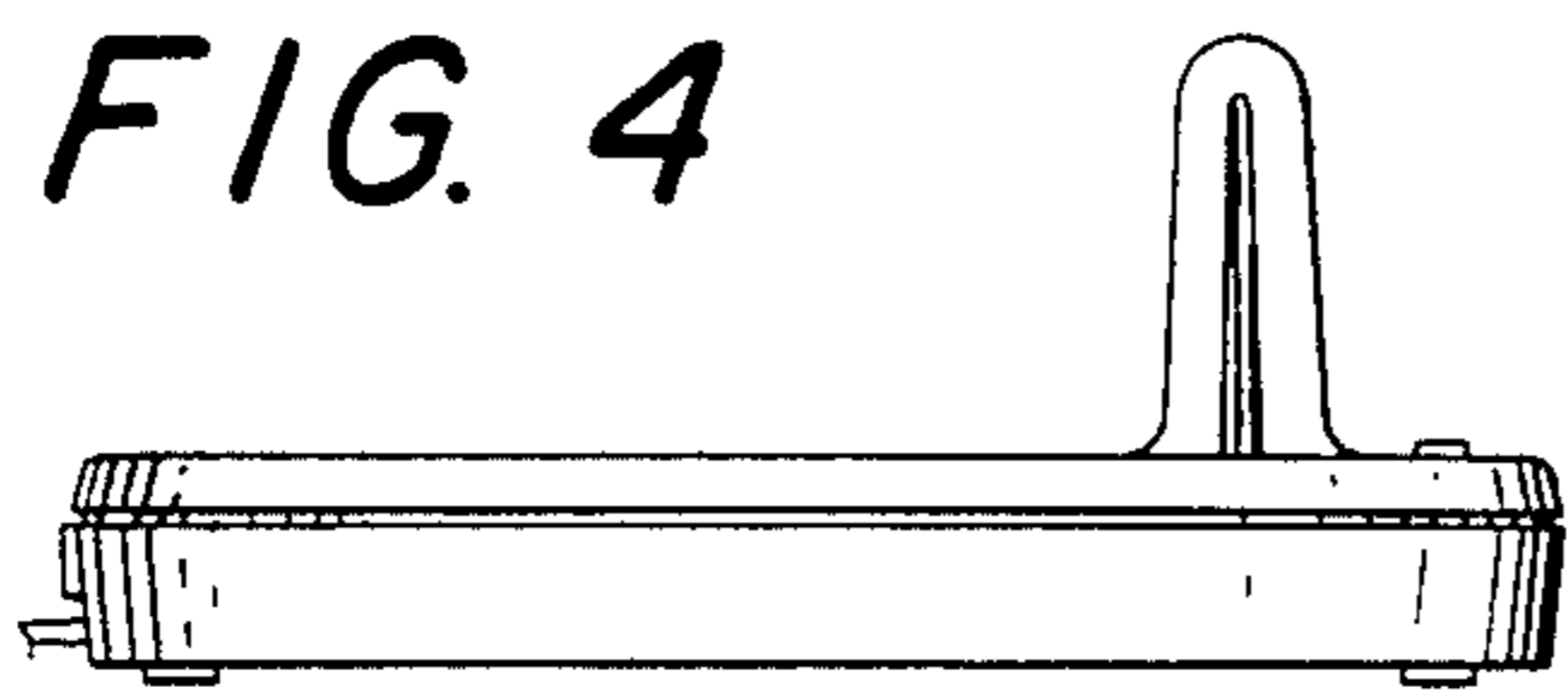
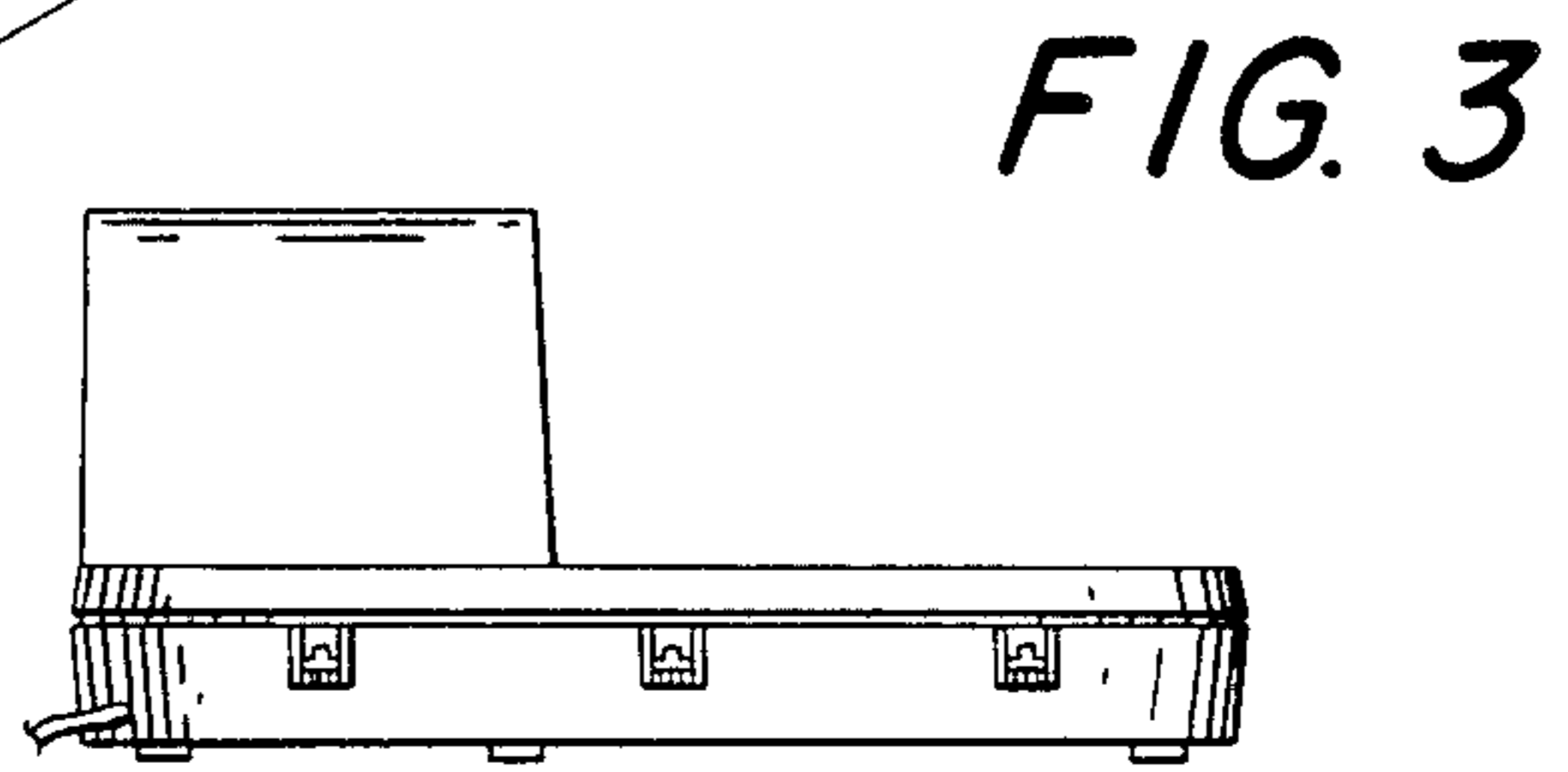
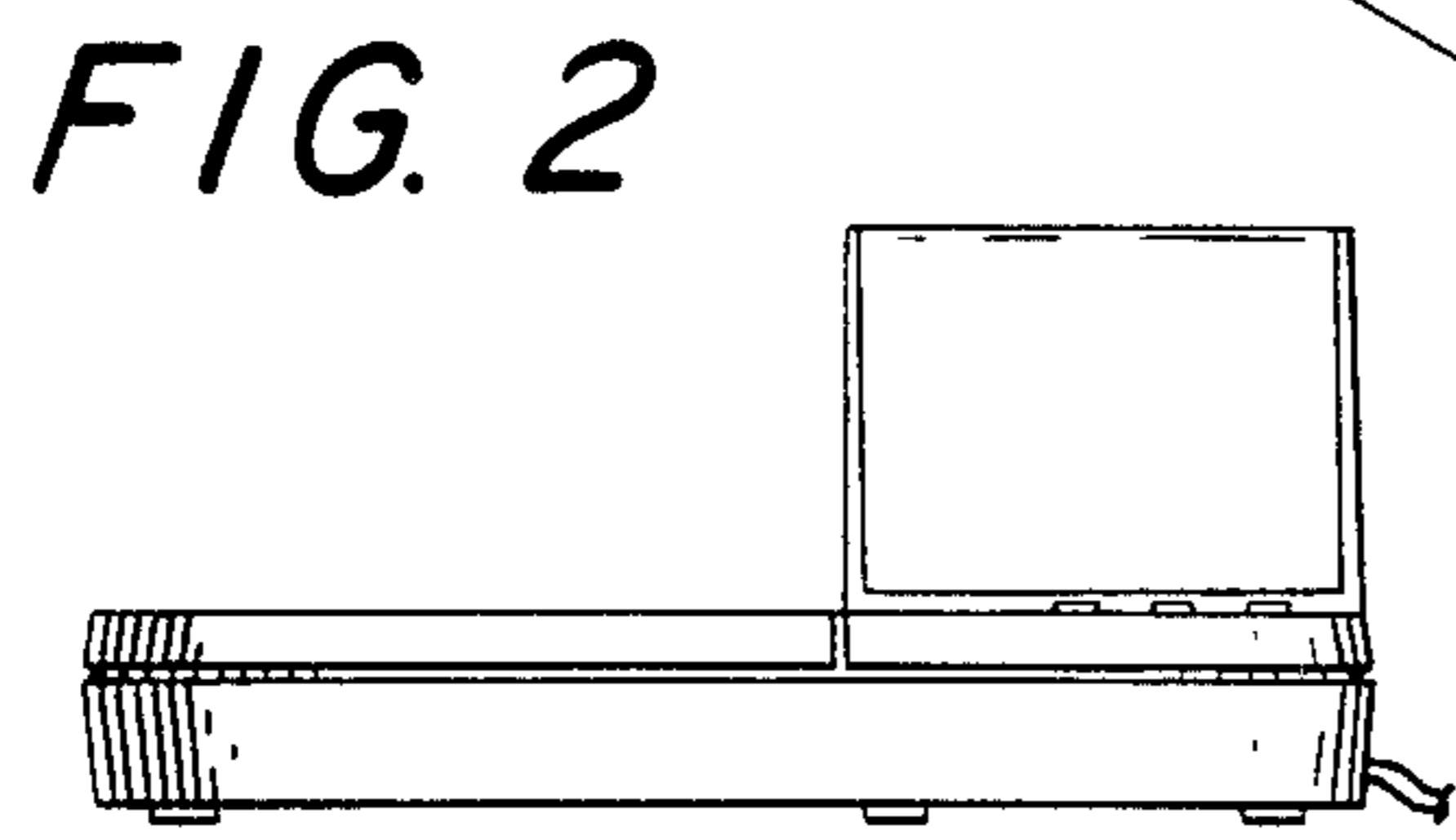
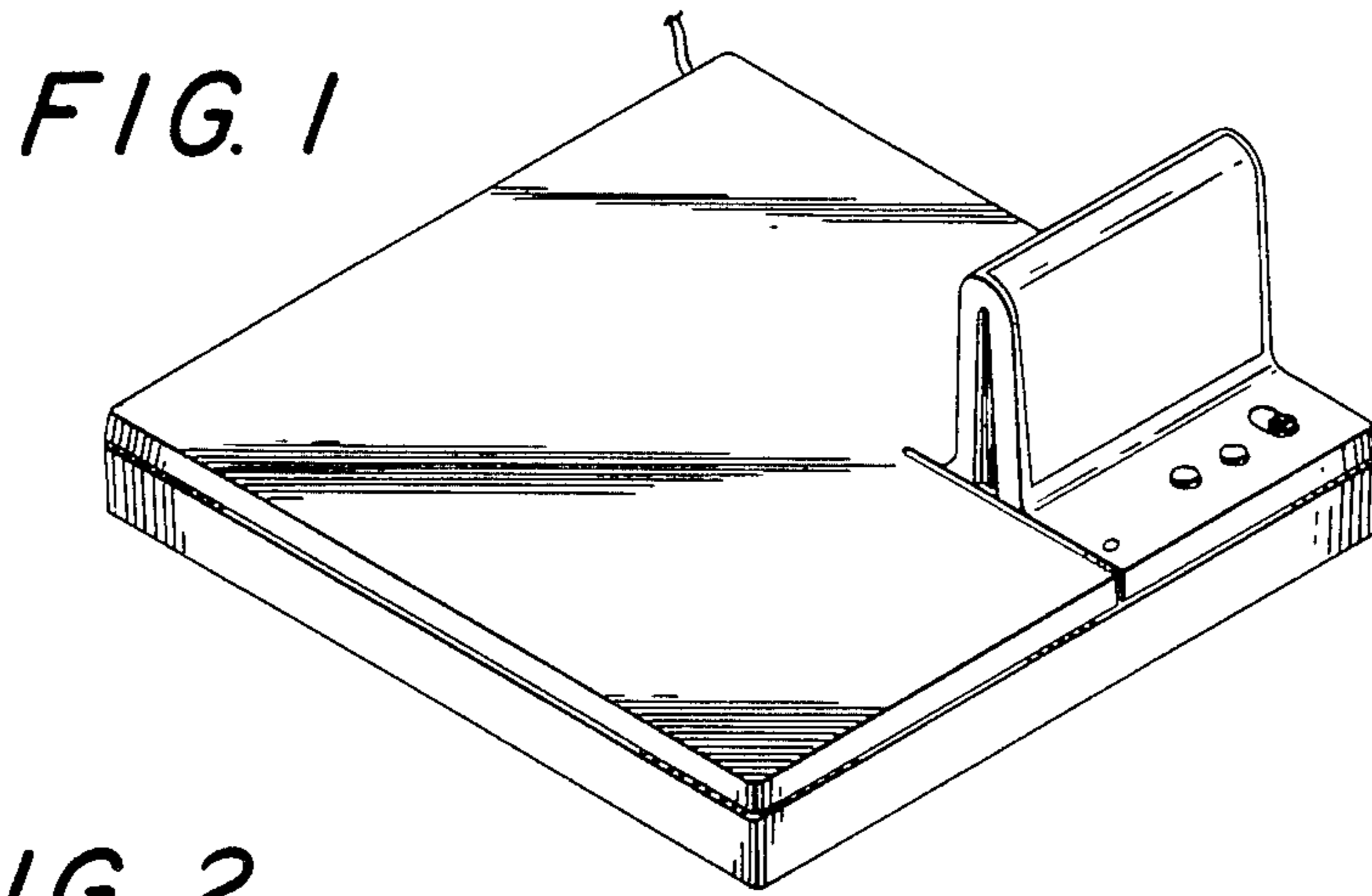
- D. 219,452 12/1970 Crew ..... D14/59
- D. 259,184 5/1981 Francis et al. .... D10/26
- D. 261,265 10/1981 Leopoldi ..... D14/59
- D. 274,313 6/1984 Tanaka ..... D10/24
- 3,169,168 2/1965 Capranica ..... 179/6.3 CC
- 3,407,547 10/1968 Dobe et al. .... D25/74
- 3,530,280 9/1970 Goldman ..... 179/6.3 CC

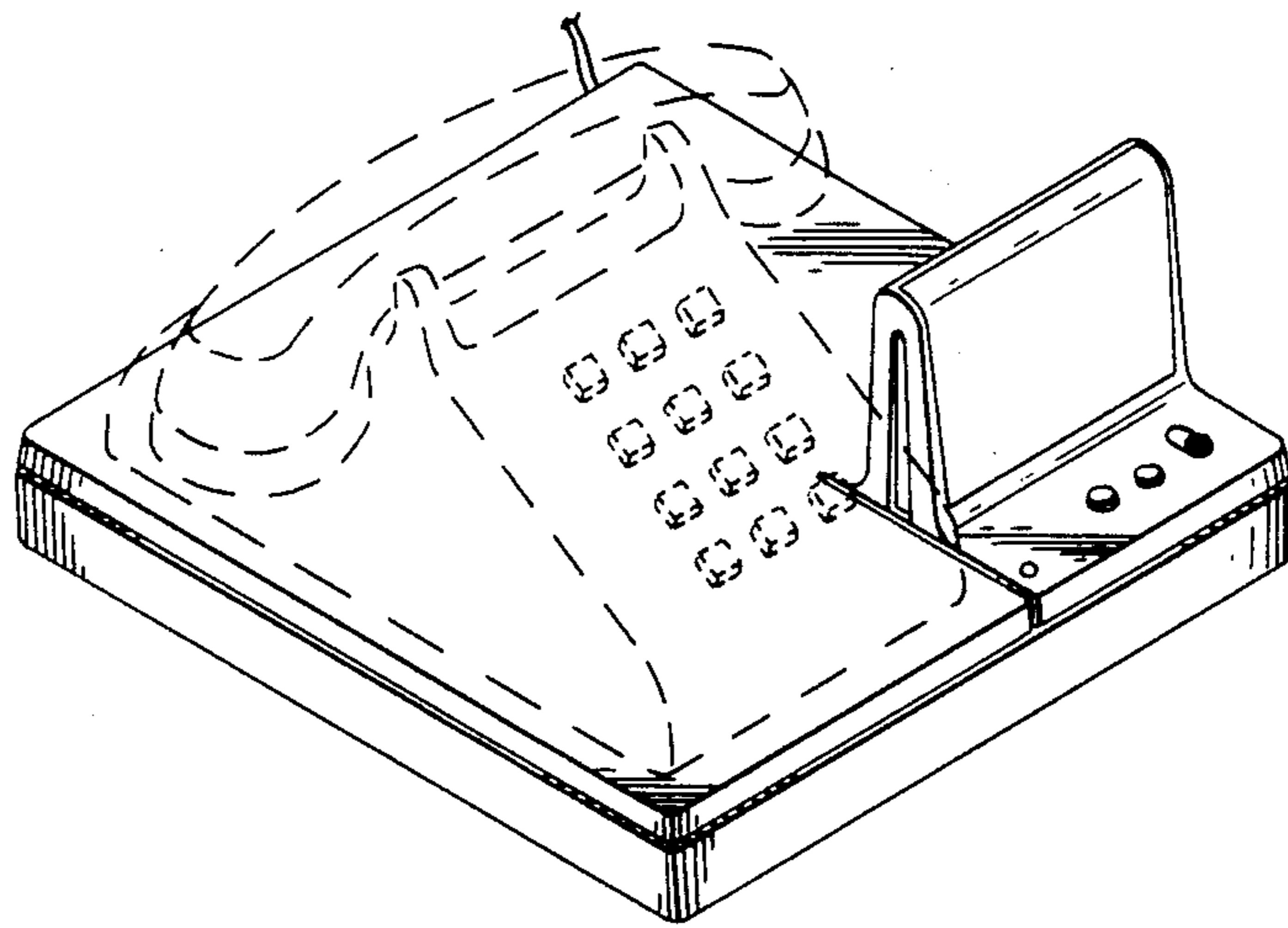
FOREIGN PATENT DOCUMENTS

- 0063689 11/1982 European Pat. Off. .... 179/6.3 CC

FIG. 1 is a top and side perspective view of a code attachment housing for a telephone stand showing my new design;  
 FIG. 2 is a front elevational view thereof;  
 FIG. 3 is a rear elevational view thereof;  
 FIG. 4 is one side elevational view thereof;  
 FIG. 5 is the other side elevational view thereof;  
 FIG. 6 is a top plan view thereof;  
 FIG. 7 is a bottom view thereof; and  
 FIG. 8 is a top and side perspective view thereof in which a telephone is shown in broken lines for illustrative purposes to indicate operative associational relationship.







*FIG. 8*