

[54] LIGHTING SYSTEM CONTROL CONSOLE

[75] Inventors: Denis G. Wolfe, Agoura; Thomas S. Young, Los Angeles, both of Calif.; Arnold S. Wasserman, Pittsford, N.Y.; Edward Lawing, Columbus, Ohio

[73] Assignee: Colortran, Inc., Burbank, Calif.

[\*\*] Term: 14 Years

[21] Appl. No.: 432,268

[22] Filed: Oct. 1, 1982

[52] U.S. Cl. .... D13/12

[58] Field of Search ..... D13/40, 12; D14/102, D14/104; 361/331, 332, 334, 338, 346, 356-358, 379-381, 390-395

[56] References Cited

U.S. PATENT DOCUMENTS

D. 187,922 5/1960 Woods et al. .... D13/12

D. 210,589 3/1968 Kalvitis ..... D14/102  
D. 238,492 1/1976 Clayton ..... D14/104  
D. 250,335 11/1978 Esslinger et al. .... D13/12  
D. 262,205 12/1981 Soda ..... D14/104  
D. 275,277 8/1984 Barbo et al. .... D13/12

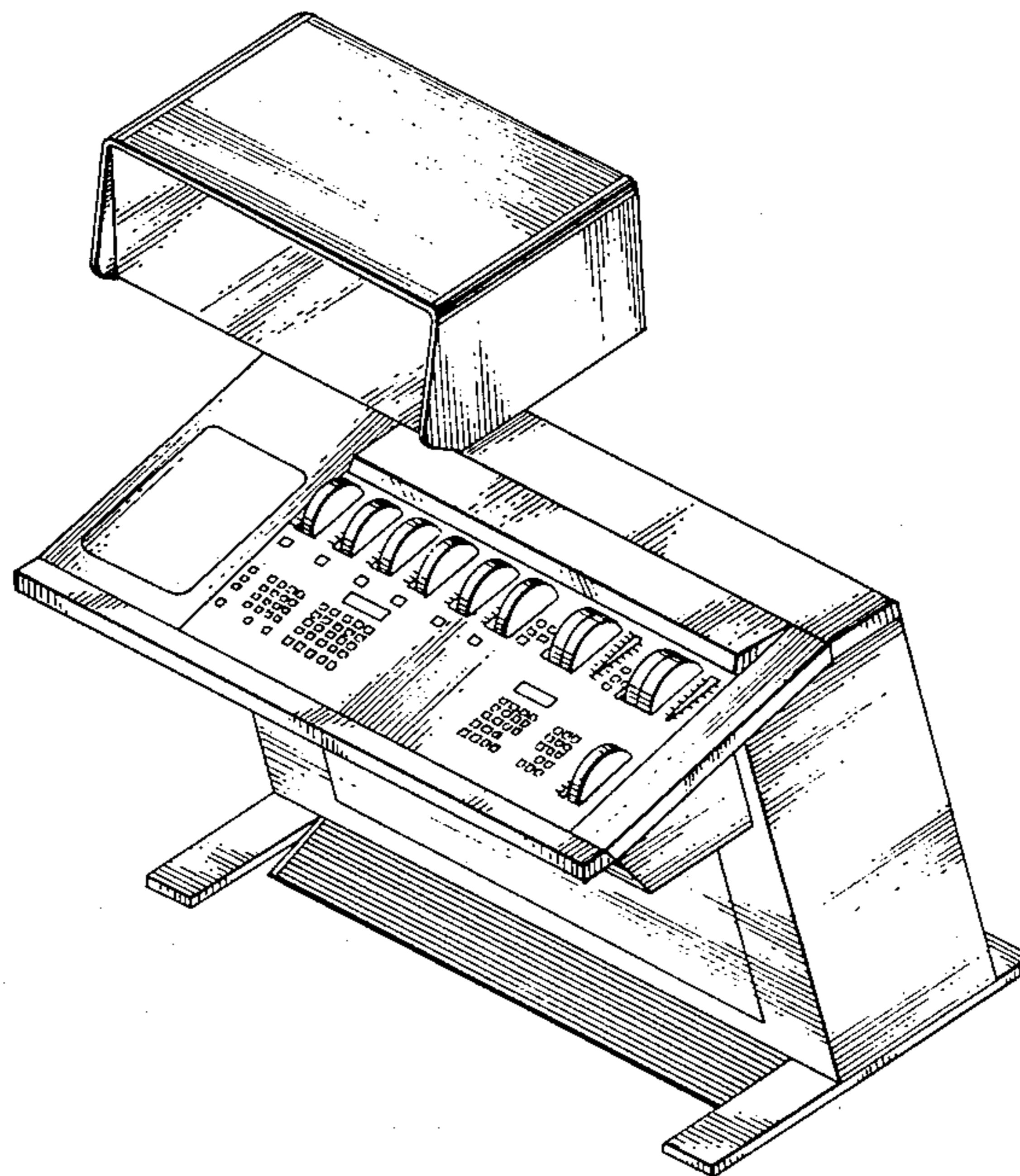
Primary Examiner—Wallace R. Burke  
Assistant Examiner—Lynn Wilder  
Attorney, Agent, or Firm—Christie, Parker & Hale

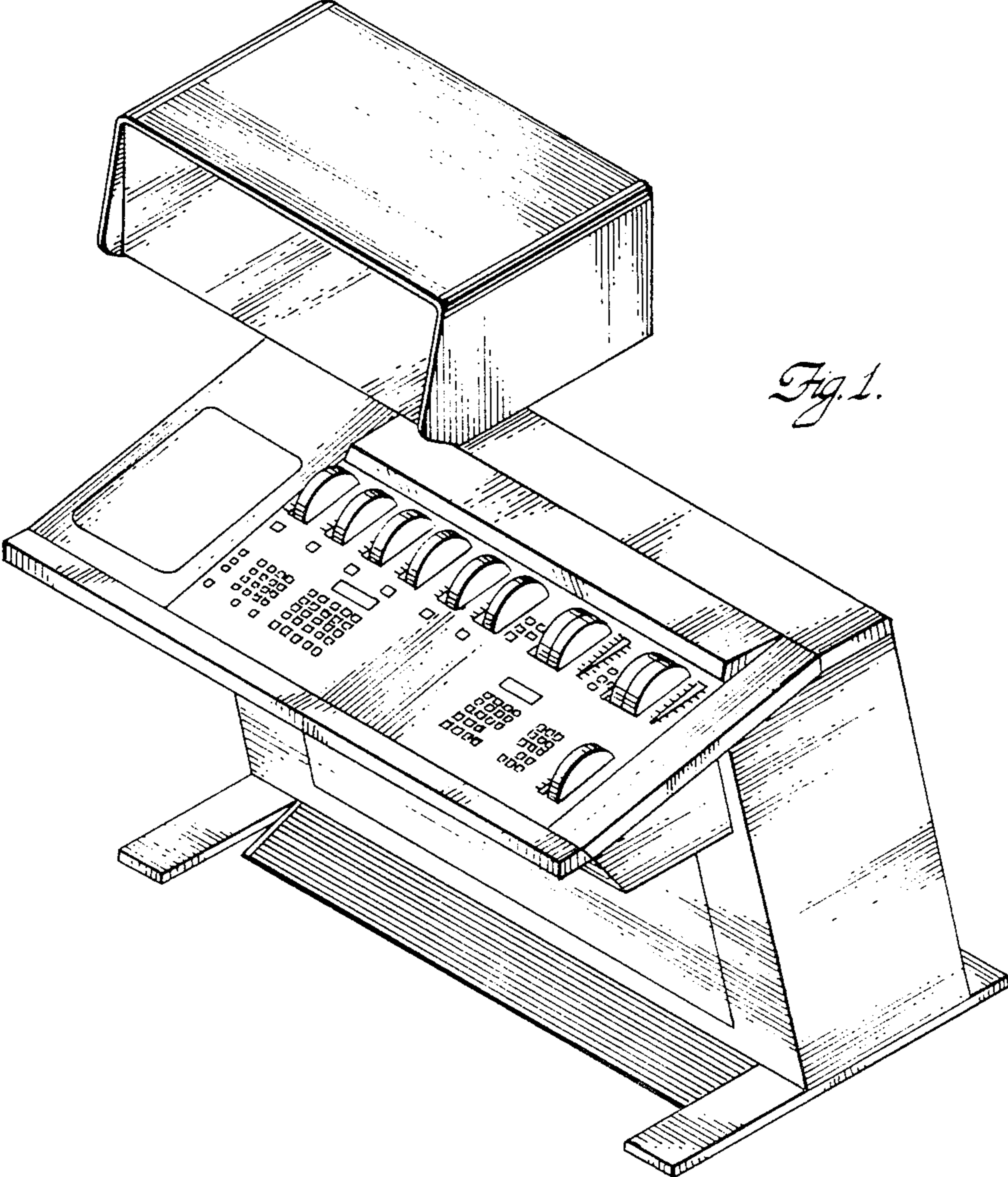
[57] CLAIM

The ornamental design for a lighting system control console, substantially as shown and described.

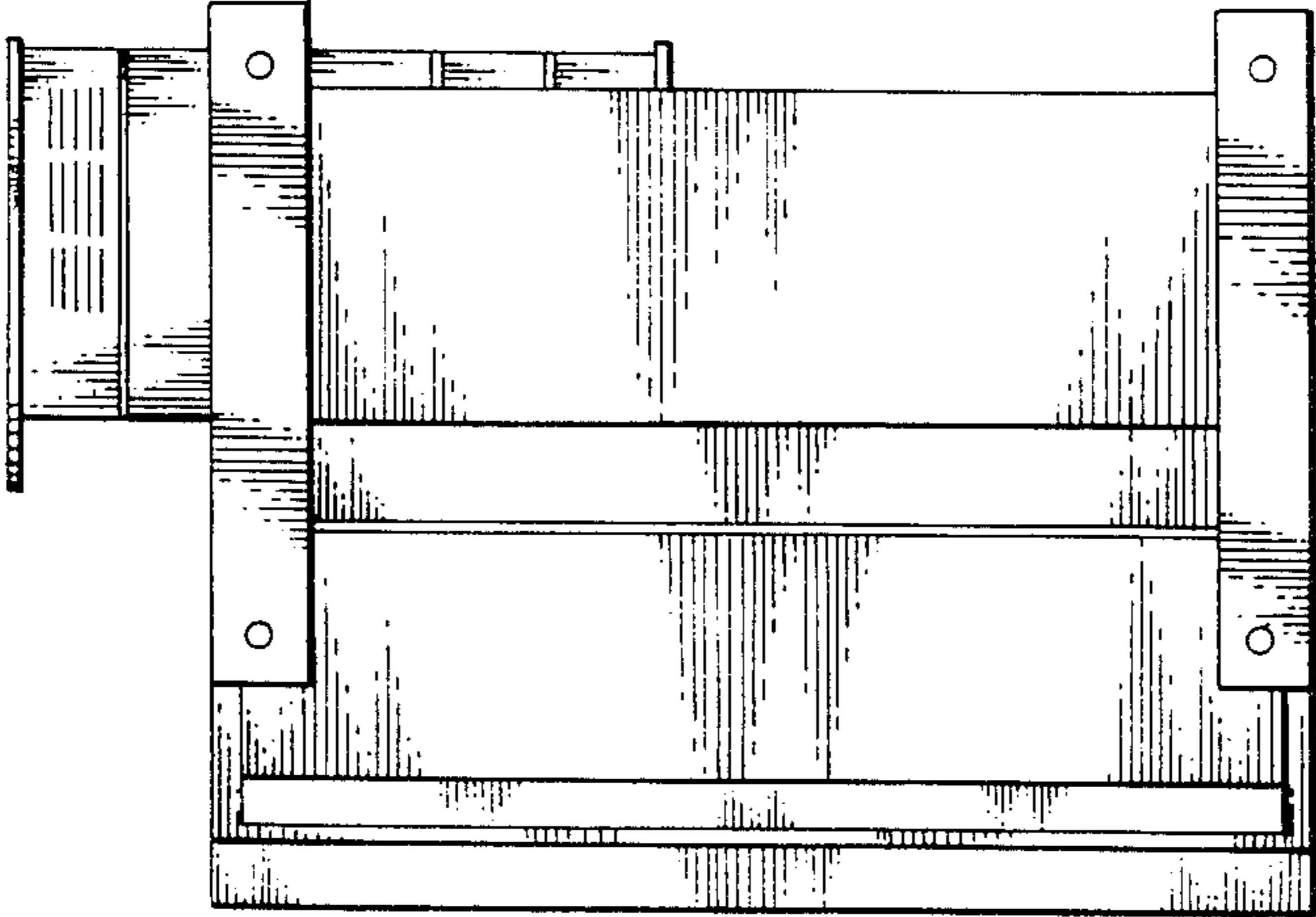
DESCRIPTION

FIG. 1 is a perspective view of the console according to the present invention;  
FIG. 2 is a bottom plan view thereof;  
FIG. 3 is a rear perspective view thereof;  
FIG. 4 is a bottom plan view of the monitor mounted on the console; and  
FIG. 5 is a side elevational view thereof, the other side being a mirror image.



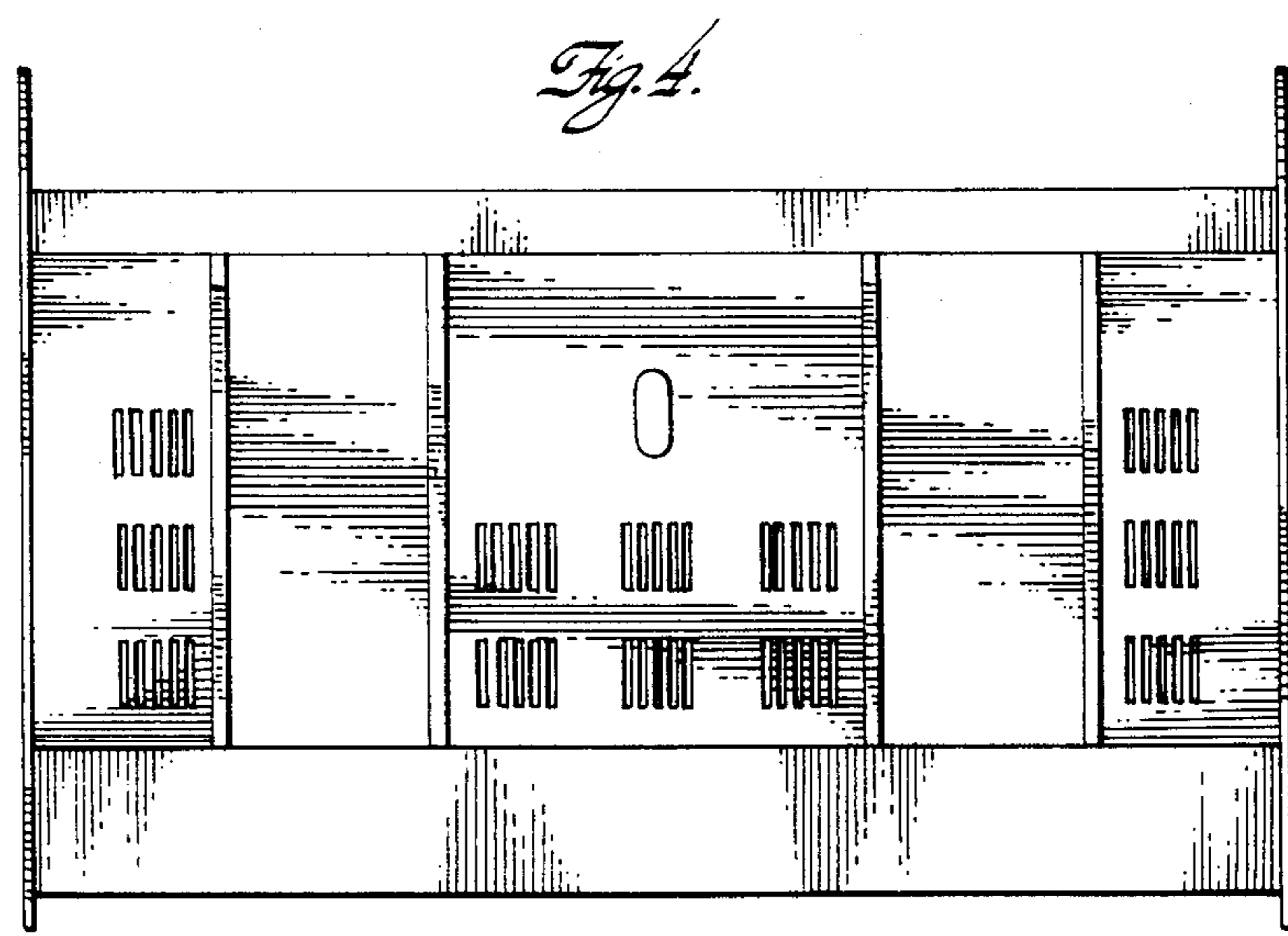
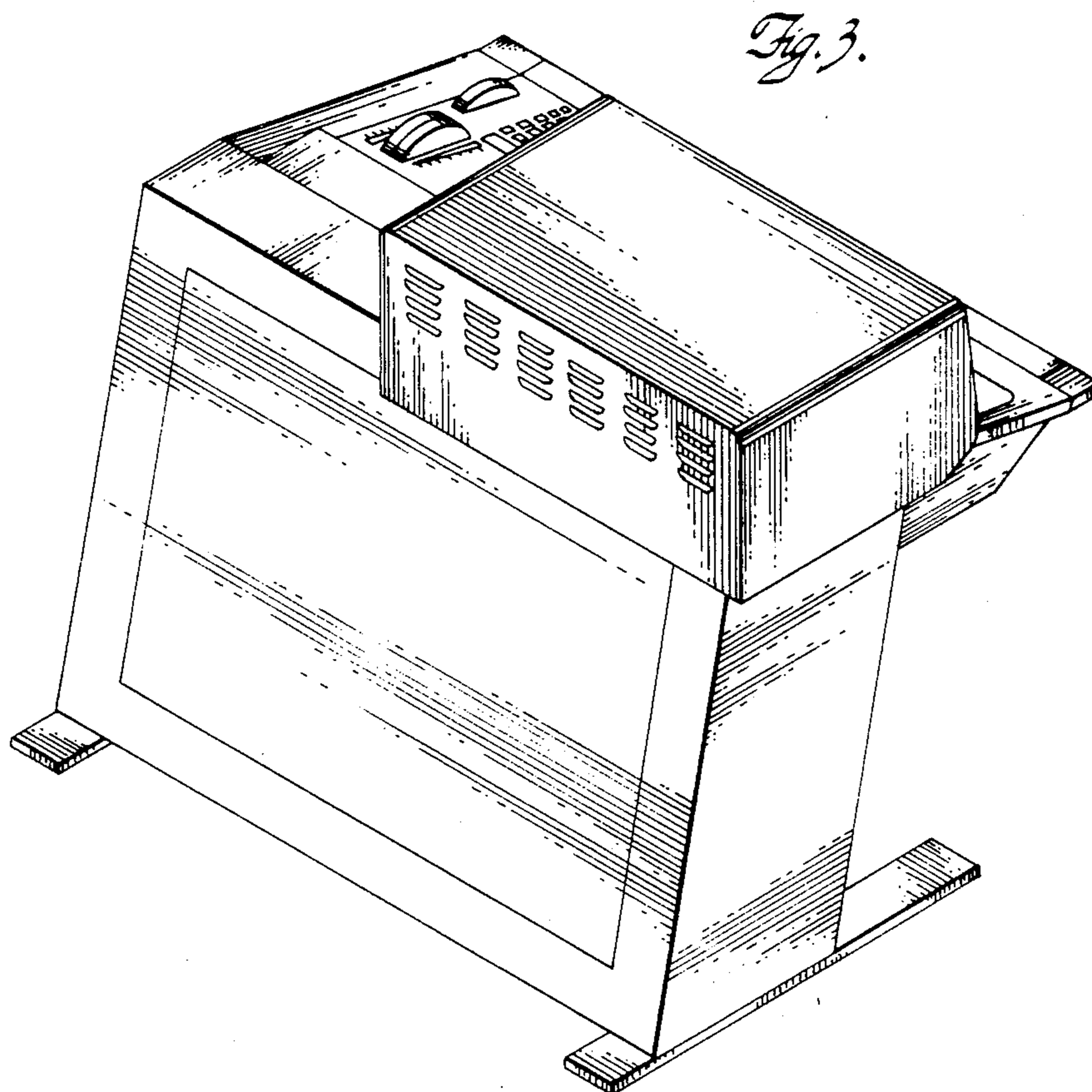


*Fig. 1.*



*Fig. 2.*





*Fig. 5.*

