

[54] VANITY MIRROR WITH HINGED COVER FOR ATTACHMENT TO THE SUN VISOR OF AN AUTOMOBILE

[75] Inventor: Kwok K. Cheung, Kwai Chung, Hong Kong

[73] Assignee: Wai Hing Industrial Manufacturing Factory, Kwai Chung, Hong Kong

[**] Term: 14 Years

[21] Appl. No.: 445,172

[22] Filed: Nov. 29, 1982

[30] Foreign Application Priority Data

May 28, 1982 [GB] United Kingdom 1006974

[52] U.S. Cl. D12/191; D6/308

[58] Field of Search D12/191; D28/65-67; 296/97 C, 97 H; 362/135

[56] References Cited

U.S. PATENT DOCUMENTS

4,352,518 10/1982 Prince et al. 296/97 H

Primary Examiner—James M. Gandy

Attorney, Agent, or Firm—Wenderoth, Lind & Ponack

[57] CLAIM

The ornamental design for a vanity mirror with hinged cover for attachment to the sun visor of an automobile, as shown and described.

DESCRIPTION

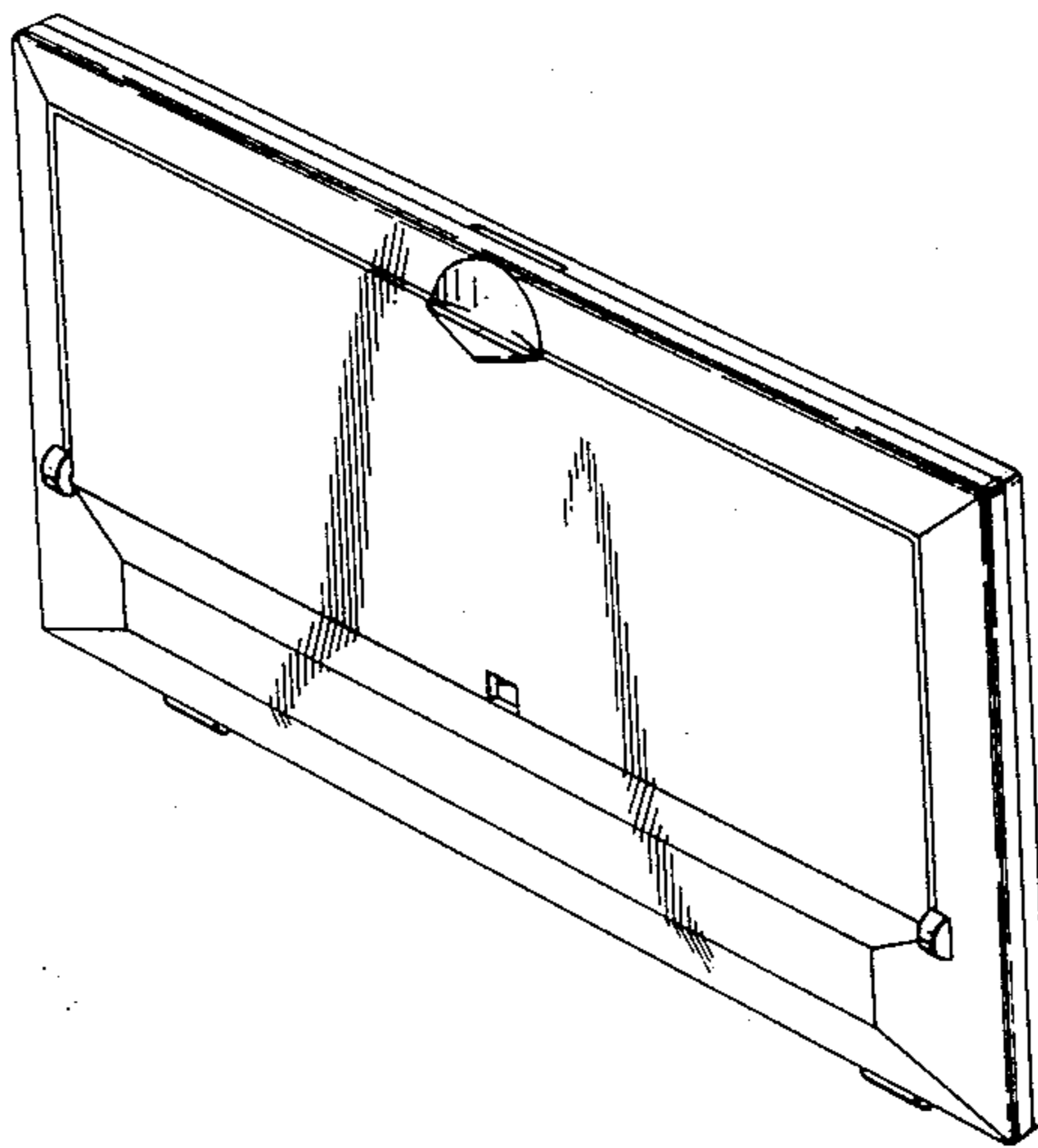
FIG. 1 is a front perspective view from above and one side of the vanity mirror with hinged cover for attachment to the sun visor of an automobile showing my new design;

FIG. 2 is a rear elevation view thereof;

FIG. 3 is a bottom plan view thereof;

FIG. 4 is a side elevation view thereof; and

FIG. 5 is a front perspective view thereof with the cover in open condition.



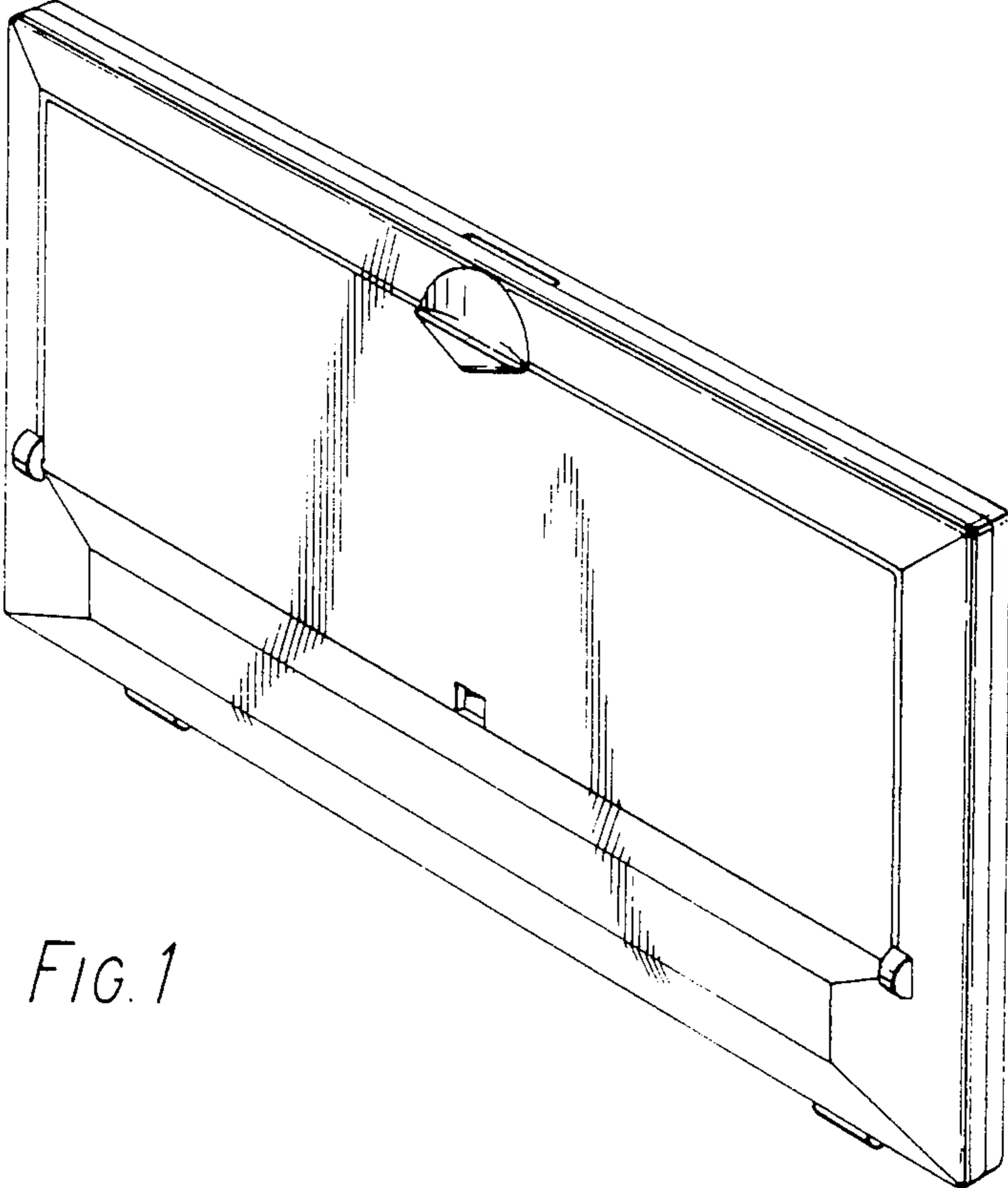


FIG. 1

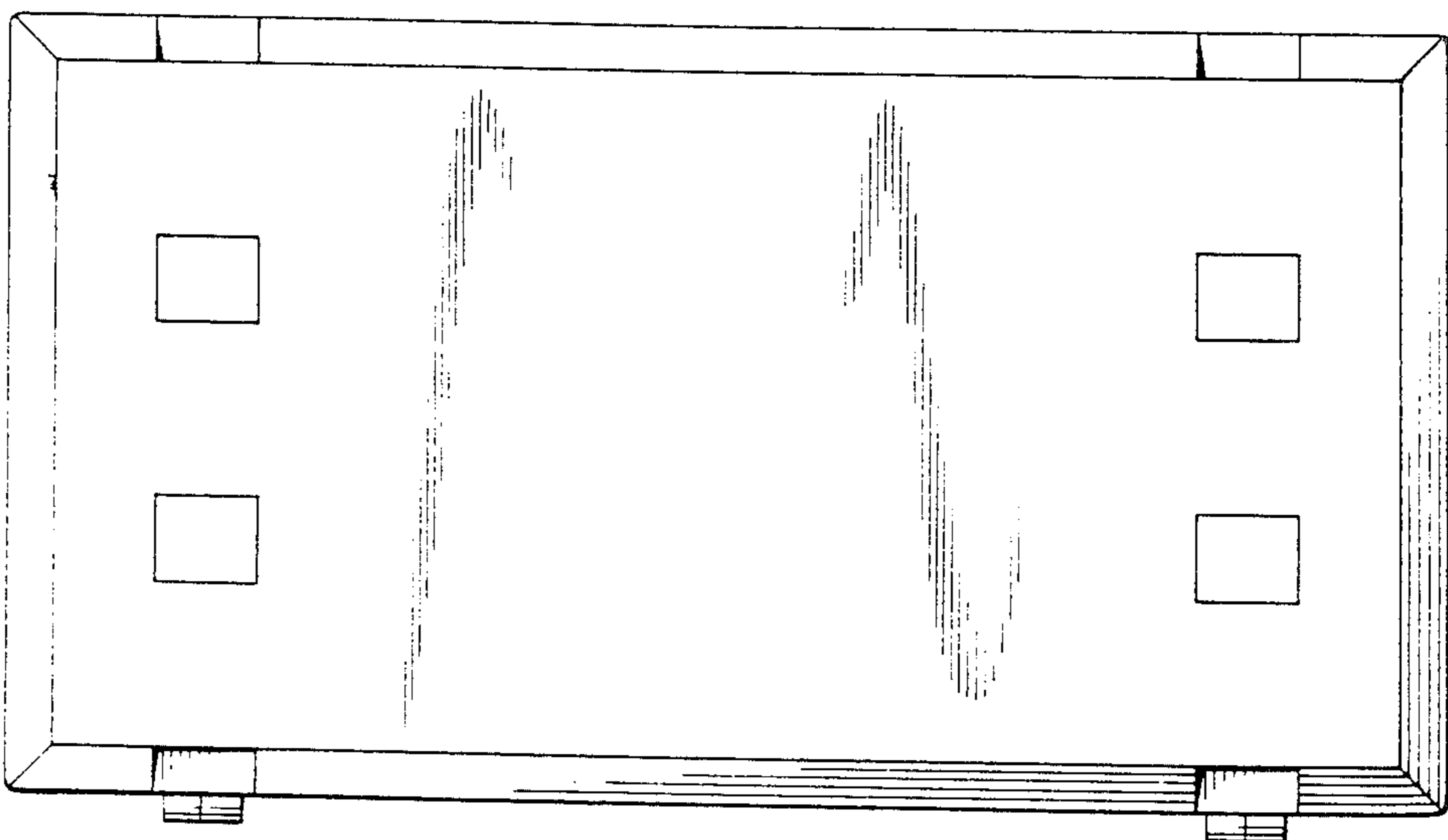


FIG. 2

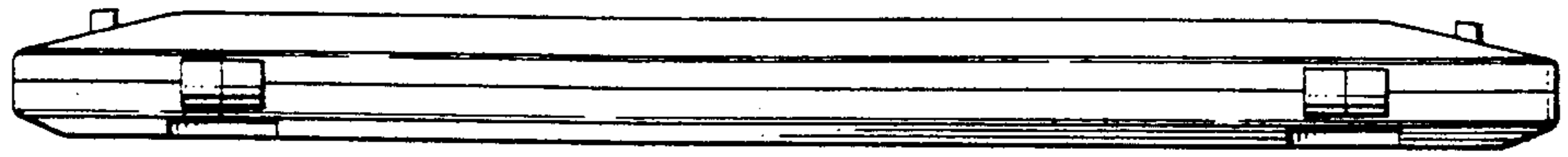


FIG. 3

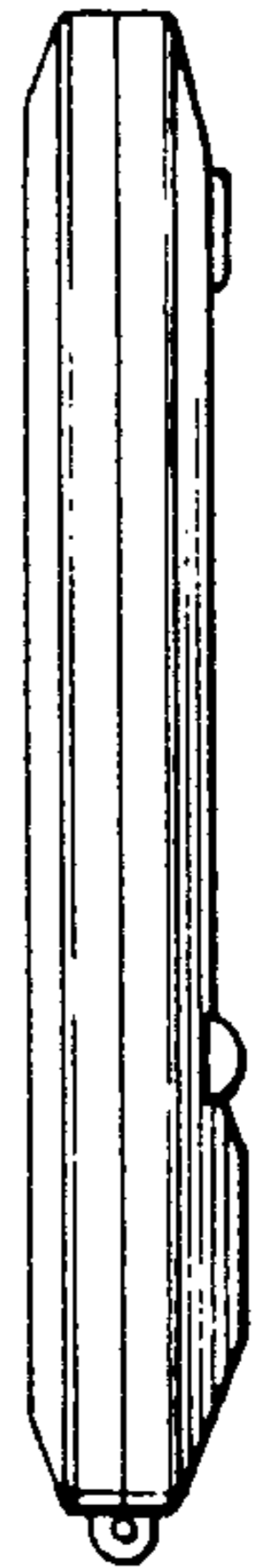


FIG. 4

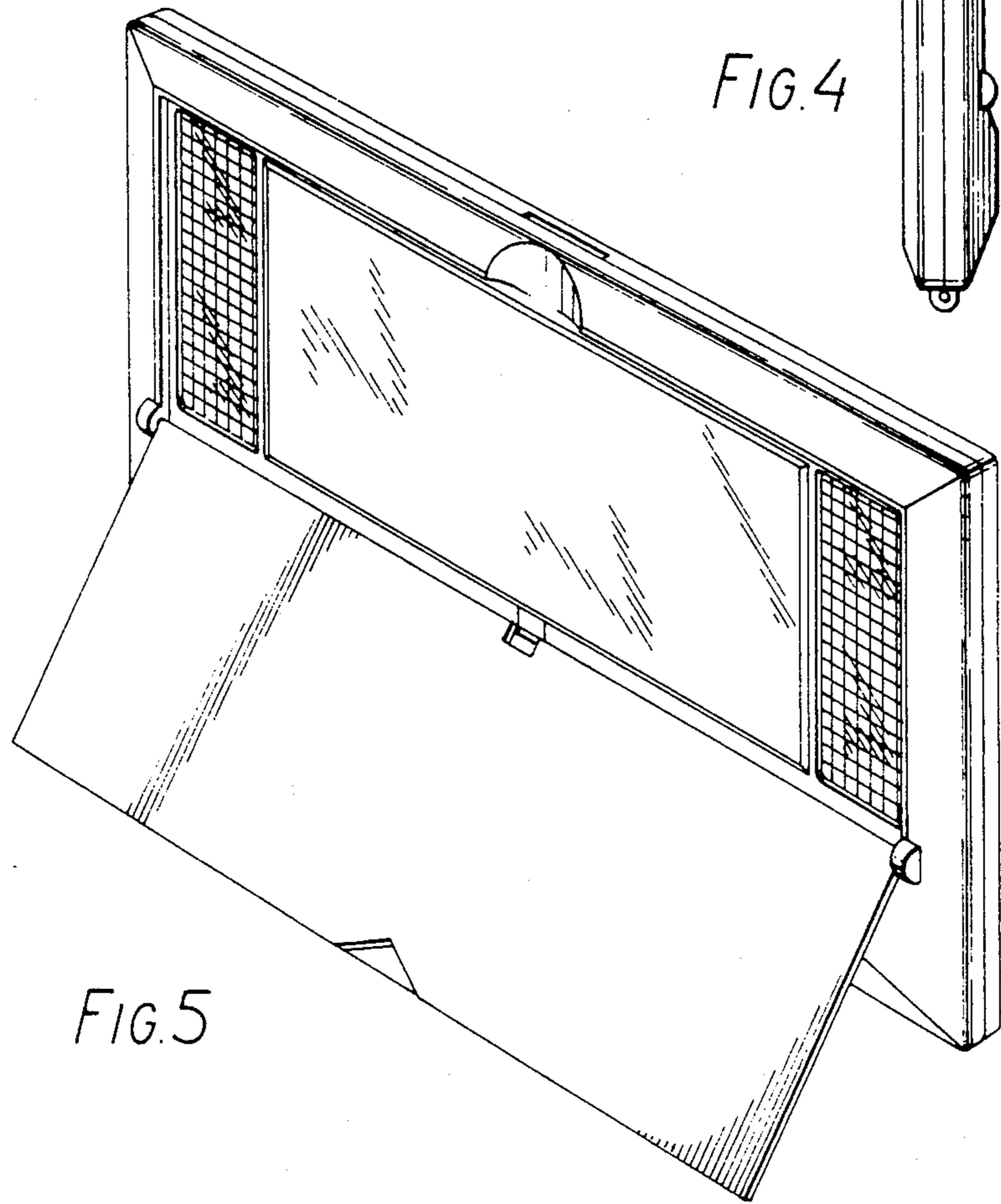


FIG. 5