

[54] **MODULE FOR LASER WHEEL ALIGNMENT SYSTEM**

[76] Inventor: **James L. Woodruff**, 1790 Skyline Blvd., Reno, Nev. 89509

[**] Term: **14 Years**

[21] Appl. No.: **349,523**

[22] Filed: **Feb. 17, 1982**

[52] U.S. Cl. **D10/46; D15/199**

[58] Field of Search **D15/199; 33/288; 356/148, 152, 155; D10/46, 103**

[56] **References Cited**

U.S. PATENT DOCUMENTS

1,086,124	2/1914	Beebe	356/148
3,723,013	3/1973	Stirland et al.	356/152
3,962,796	6/1976	Johnston	33/288
3,963,352	6/1976	Rishoud	356/152
4,043,679	8/1977	George et al.	356/148
4,097,157	6/1978	Lill	356/152
4,130,362	12/1978	Lill	356/152
4,135,823	1/1979	Horvallius	356/148
4,142,299	3/1979	Alsina	33/288
4,150,897	7/1979	Roberts	356/152
4,154,531	5/1979	Roberts	356/152

4,302,104	11/1981	Hunter	356/152
4,303,338	12/1981	Morrison	356/155
4,408,879	10/1983	Ragan	356/155
4,416,065	11/1983	Hunter	356/155

OTHER PUBLICATIONS

Hughes Aircraft Co., "Helium-Neon and Waveguide CO₂ Laser Systems and Equipment from Hughes," Brochure 7-80.

Lee Hunter, "Wheel Alignment Equals Motion Balance," Form 159T, 10-77.

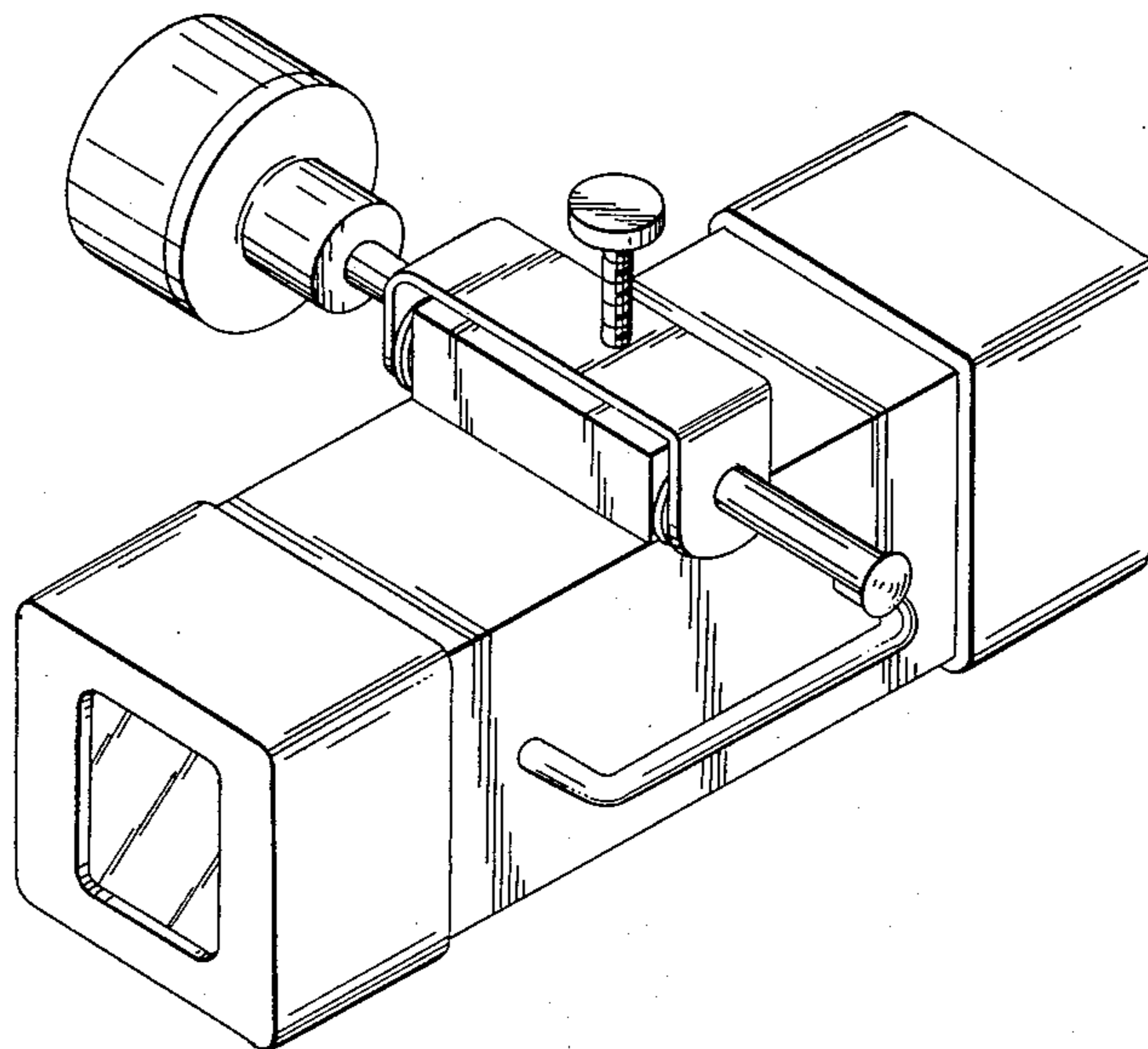
Primary Examiner—B. J. Bullock

[57] **CLAIM**

The ornamental design for a module for laser wheel alignment system, as shown and described.

DESCRIPTION

FIG. 1 is a rear perspective view of a module for laser wheel alignment system showing my new design;
 FIG. 2 is a top plan view thereof;
 FIG. 3 is a side elevational view taken from the right of FIG. 1;
 FIG. 4 is a side elevational view taken from the right of FIG. 1;
 FIG. 5 is a front elevational view thereof.



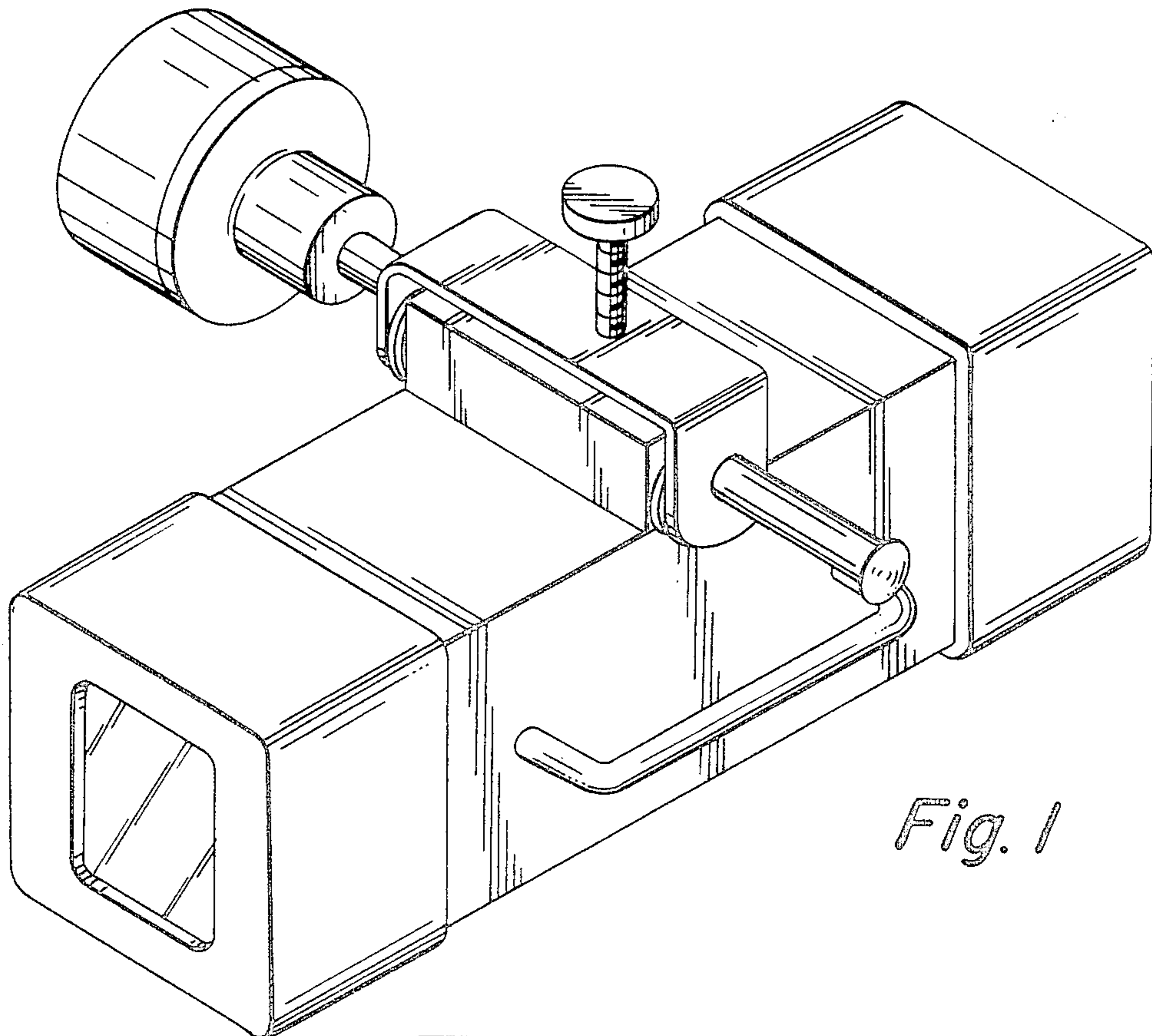


Fig. 1

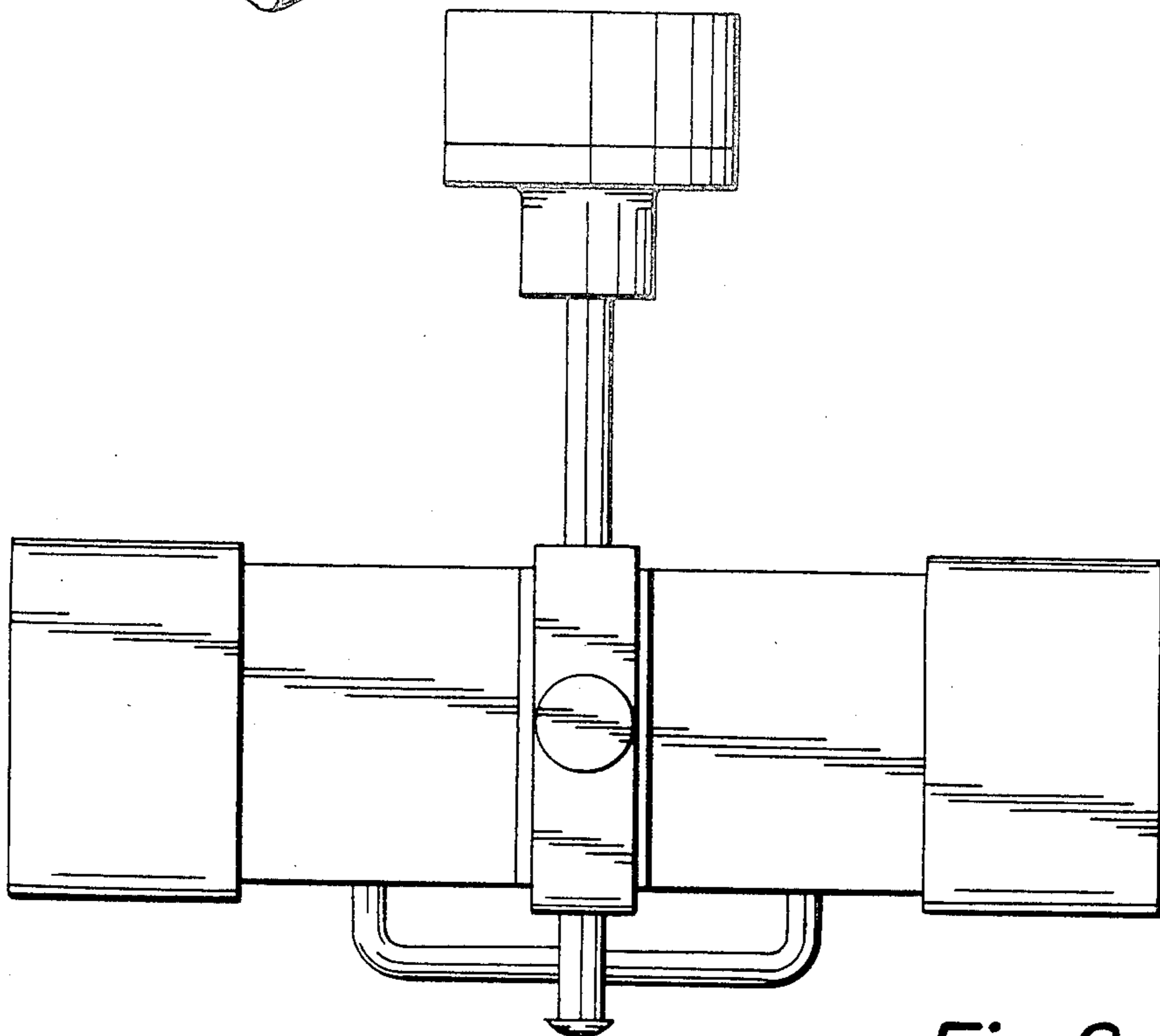


Fig. 2

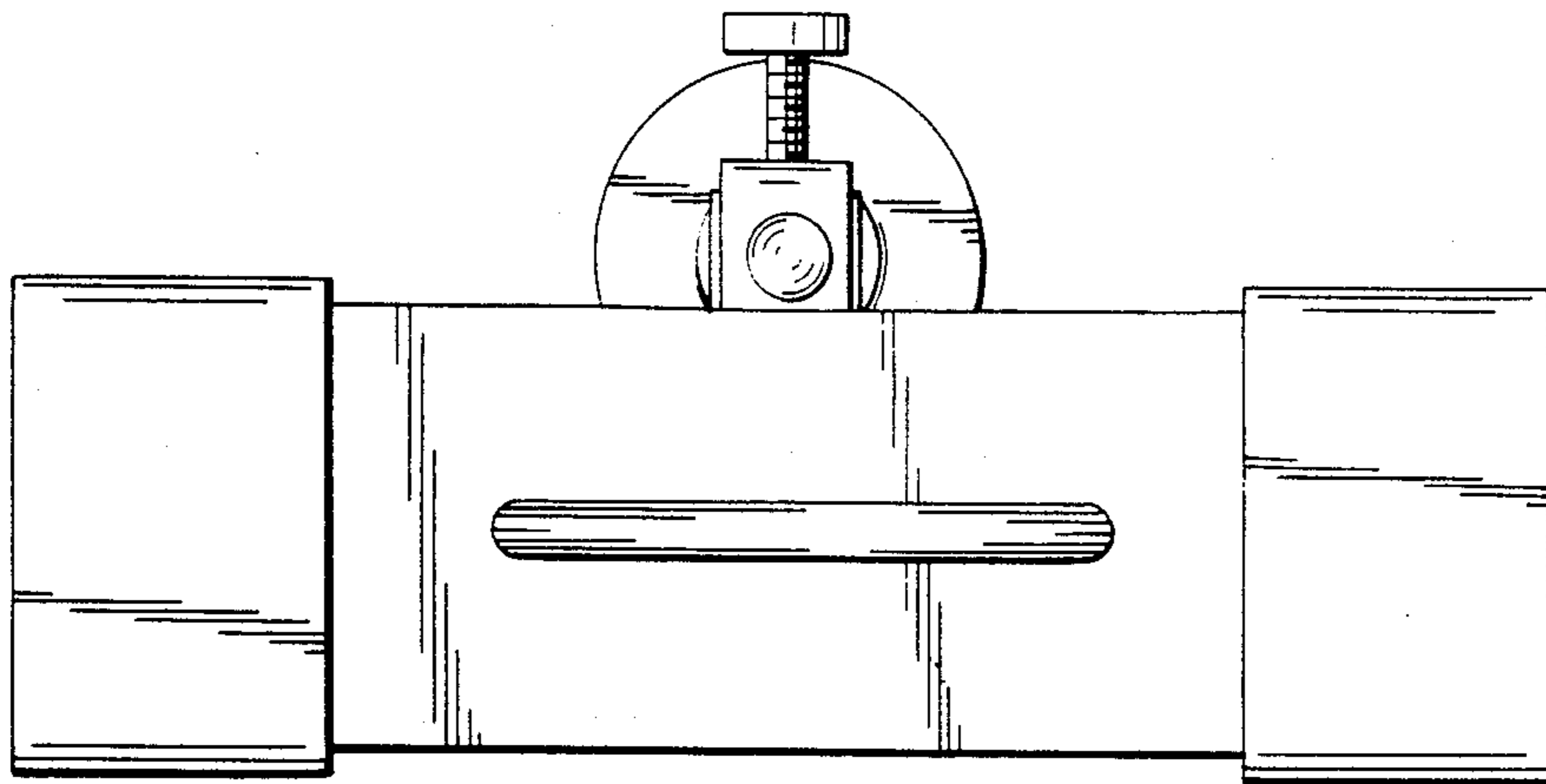


Fig. 3

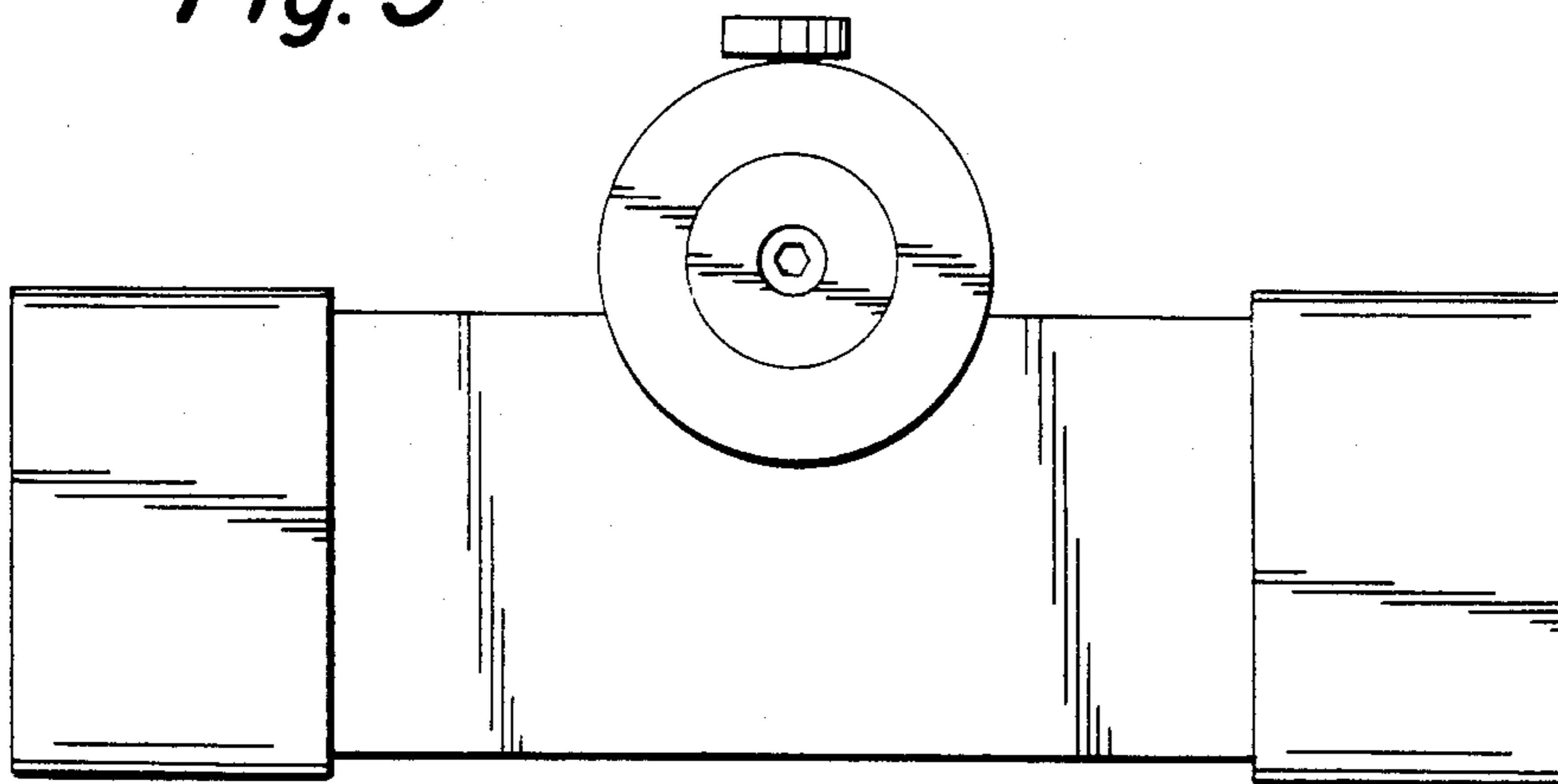


Fig. 4

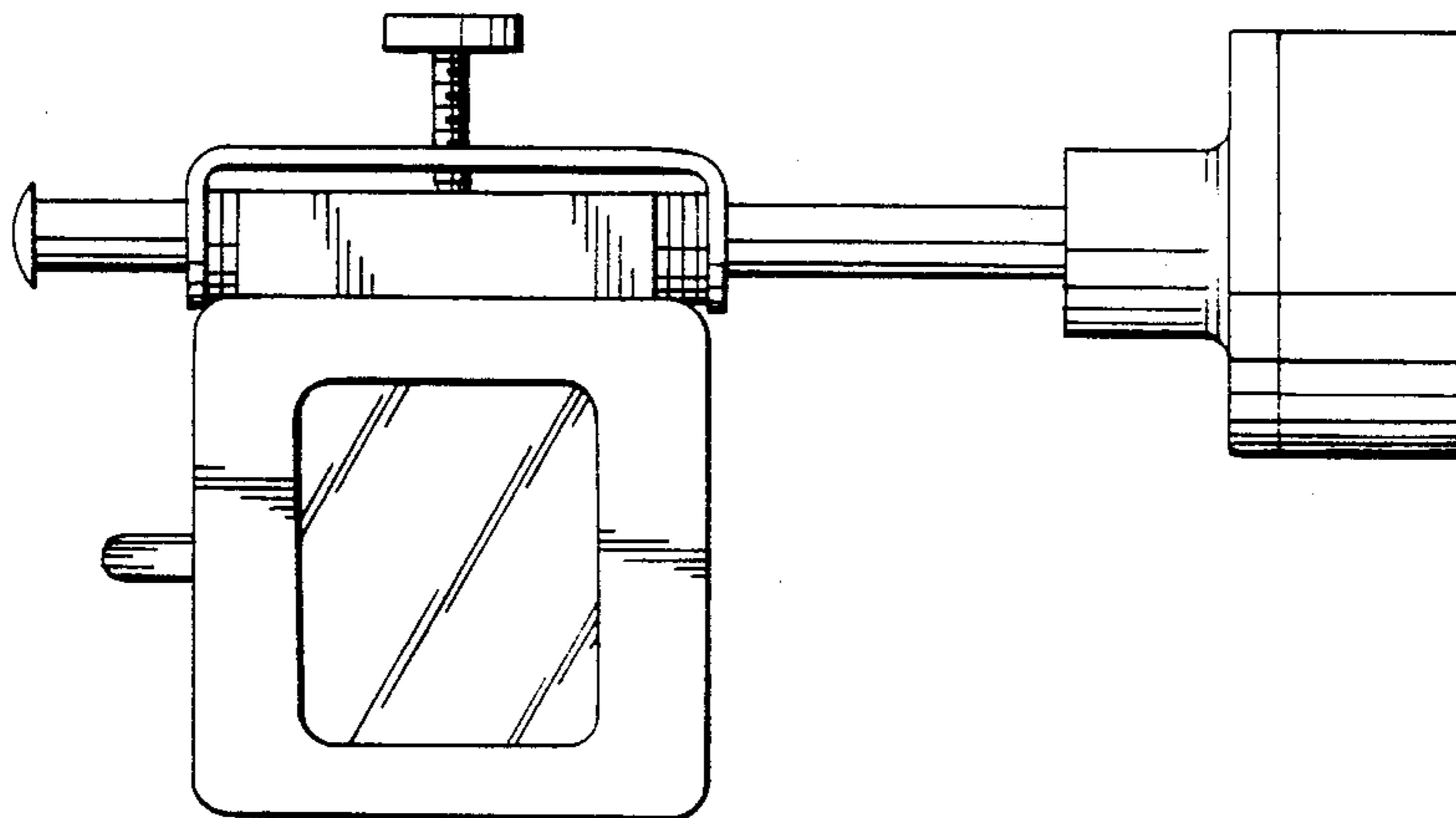


Fig. 5