

[54] HAND GRIP HANDLE FOR DETACHABLE TOOLS

[75] Inventors: Lloyd T. Smith; Harold F. Bauer, both of Newton; Allen K. Roth, Whitewater, all of Kans.

[73] Assignee: Fiskar Manufacturing Corporation, Wausau, Wis.

[**] Term: 14 Years

[21] Appl. No.: 429,563

[22] Filed: Sep. 30, 1982

[52] U.S. Cl. D8/107; D8/61; D8/68

[58] Field of Search D8/61, 68, 30, 107; 173/163, 169, 170; 81/54, 57.11; 408/124, DIG. 1

[56] References Cited

U.S. PATENT DOCUMENTS

3,019,440 2/1962 Kopf et al. D8/68 X

FOREIGN PATENT DOCUMENTS

3045610 8/1982 Fed. Rep. of Germany 408/124

1506550 5/1978 United Kingdom 81/54

Primary Examiner—Susan J. Lucas

Assistant Examiner—Clare E. Heflin

Attorney, Agent, or Firm—Schmidt, Johnson, Hovey & Williams

[57] CLAIM

The ornamental design for a hand grip handle for detachable tools, as shown.

DESCRIPTION

FIG. 1 is a side elevational view of a hand grip handle for detachable tools showing our new design;

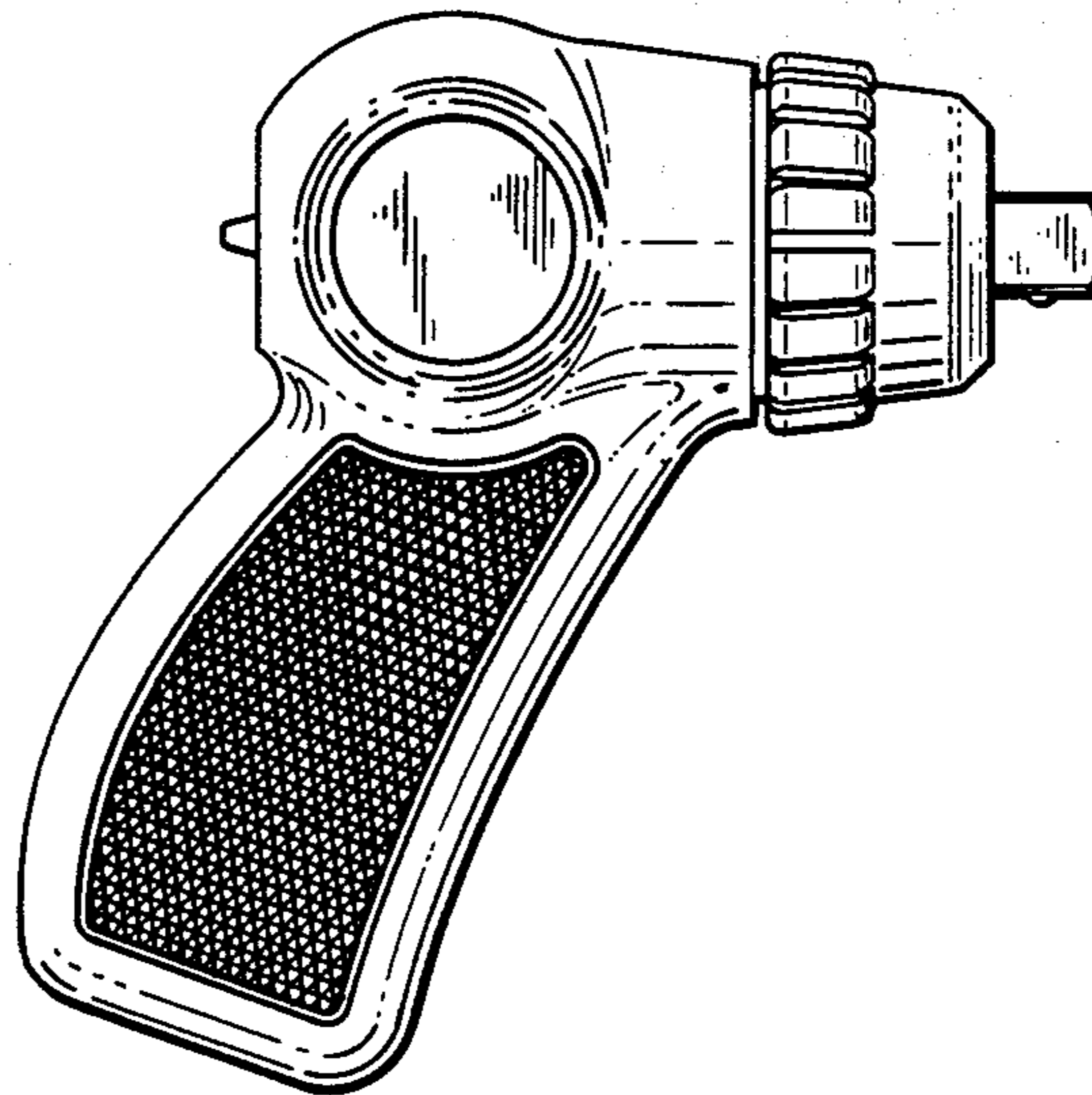
FIG. 2 is an end elevational view thereof;

FIG. 3 is an opposite side elevational view thereof;

FIG. 4 is an opposite end elevational view thereof;

FIG. 5 is a top plan view thereof; and

FIG. 6 is a bottom plan view thereof.



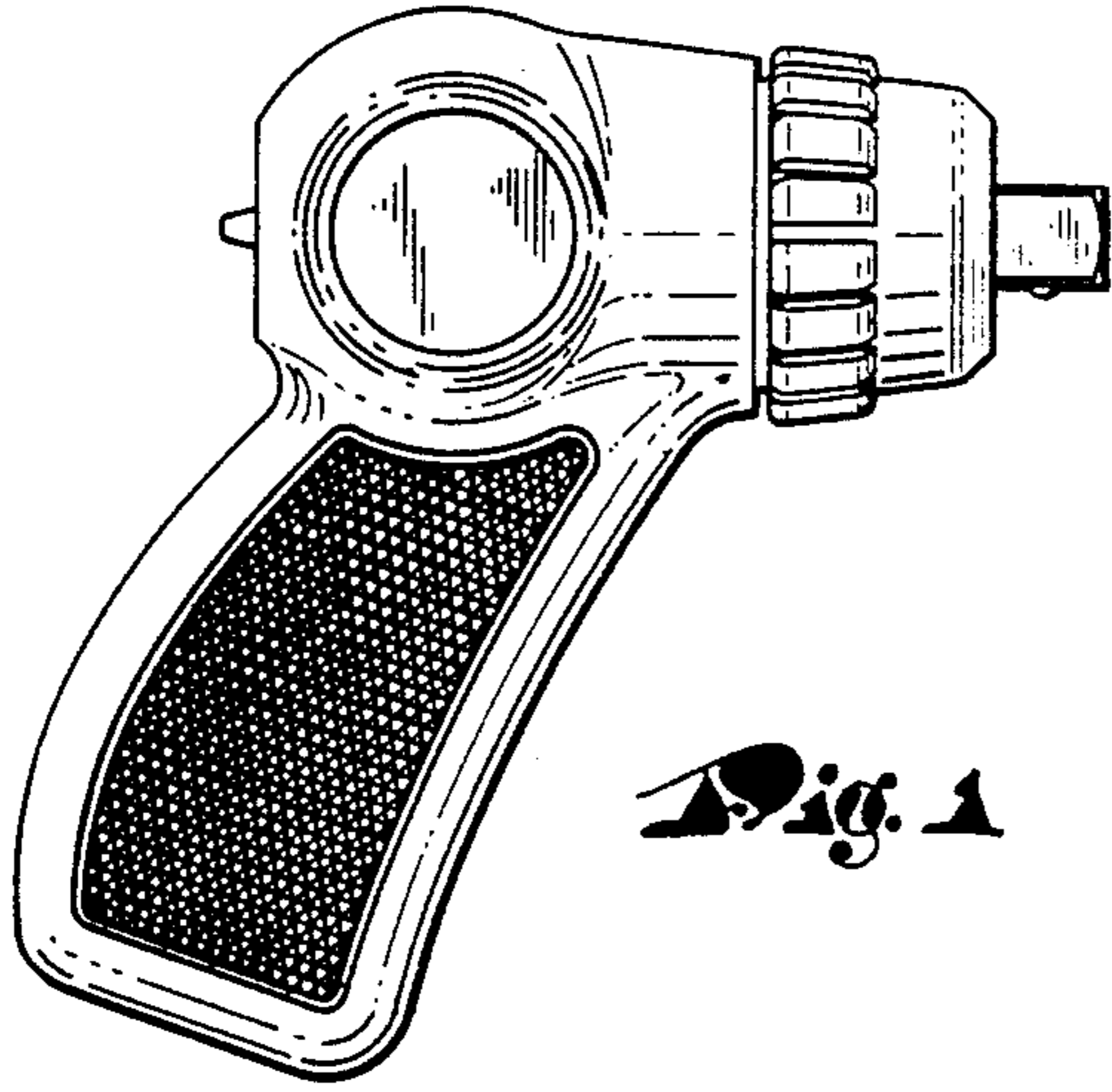


Fig. 1

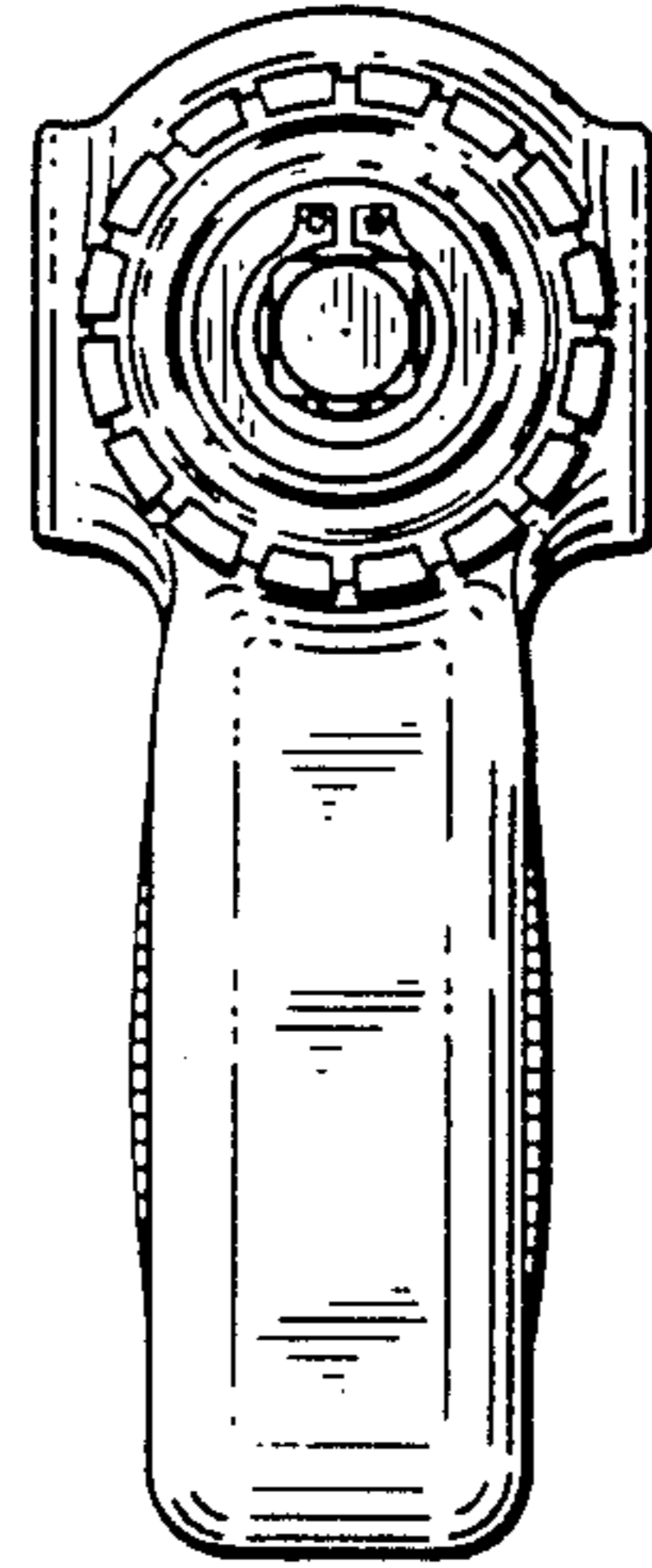


Fig. 2

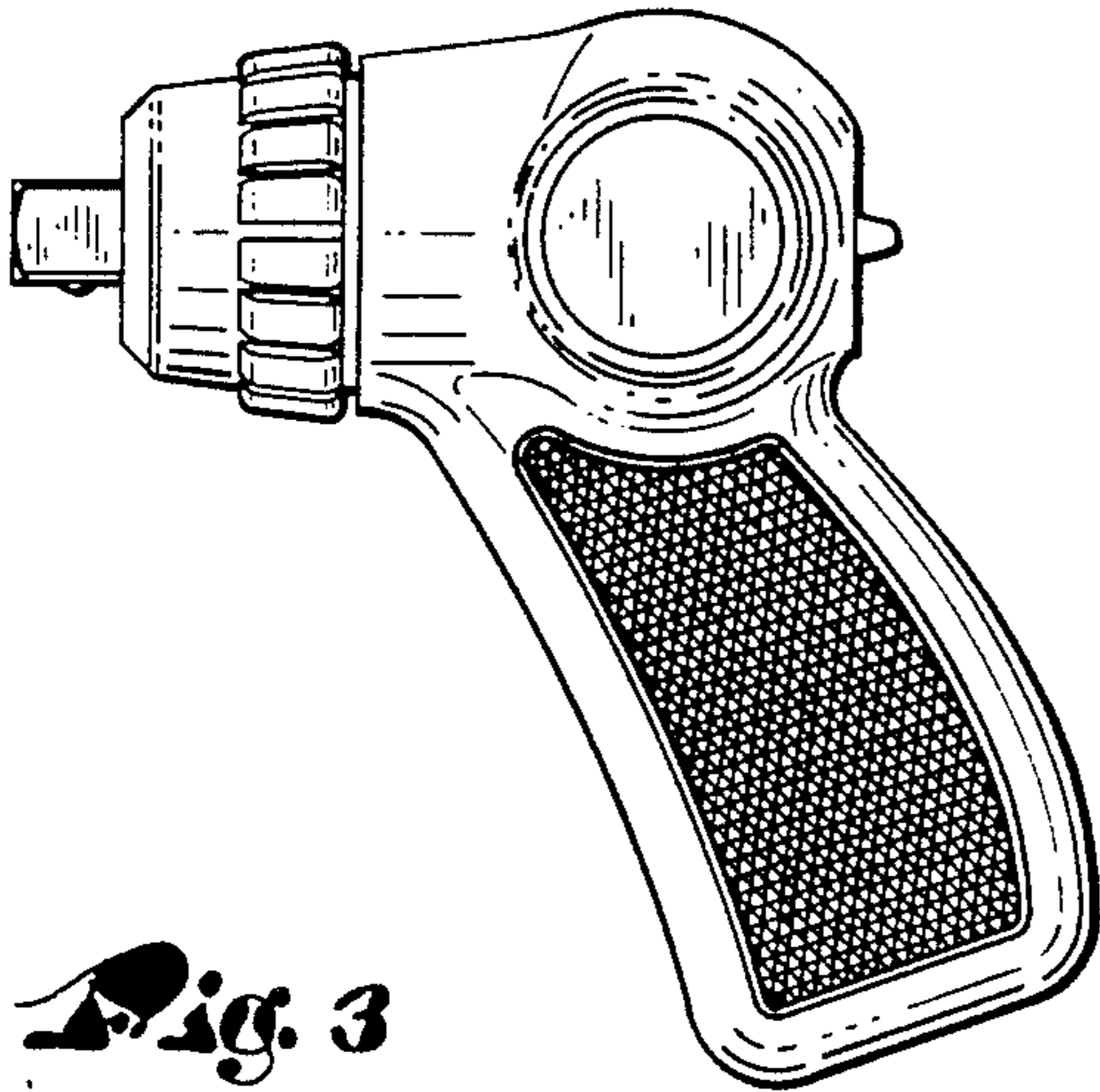


Fig. 3

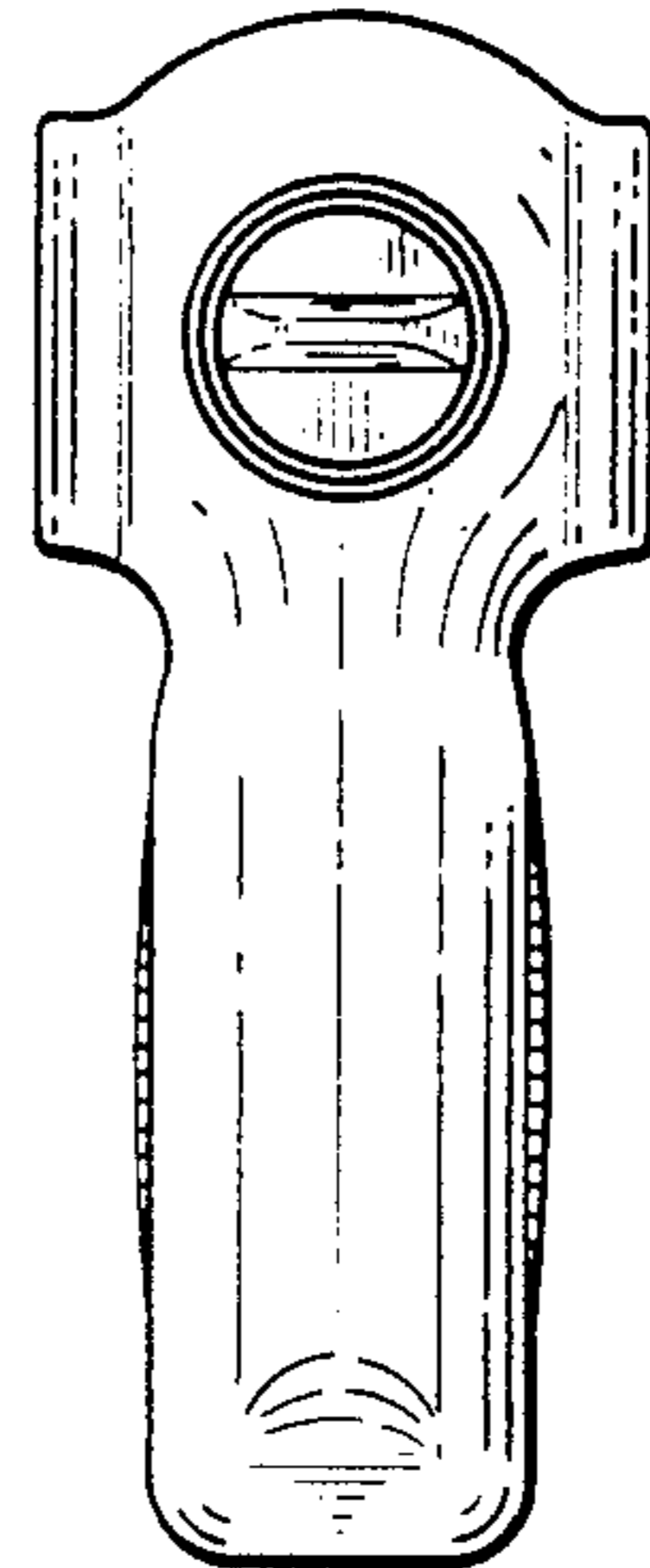


Fig. 4

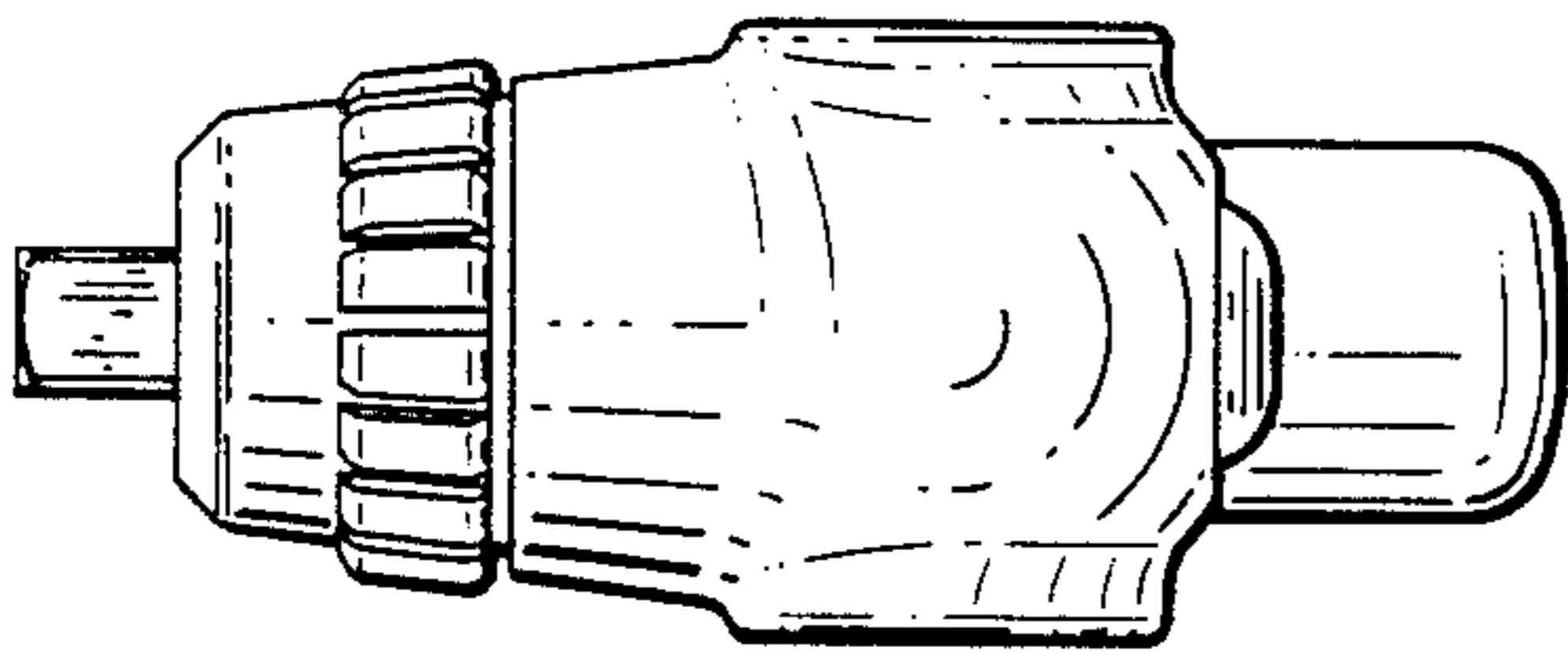


Fig. 5

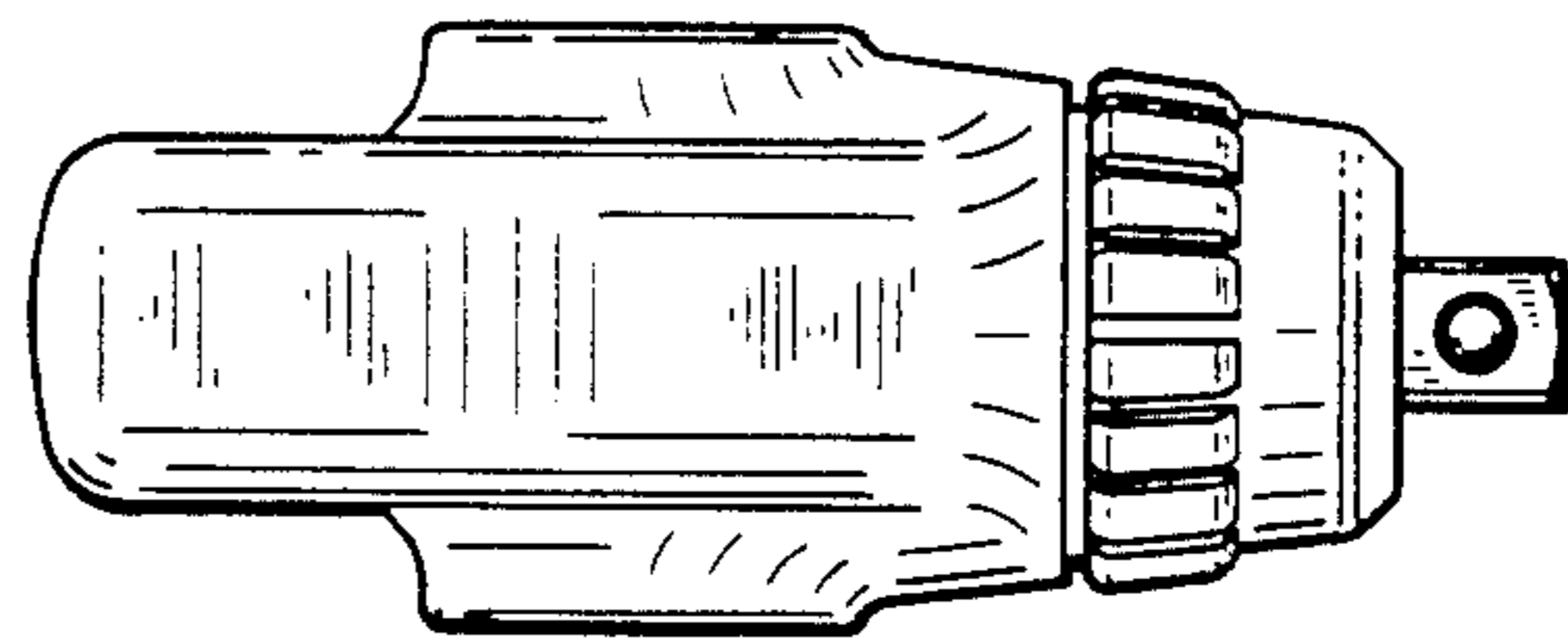


Fig. 6