

[54] CUTLERY SHARPENER

[76] Inventor: James E. Farmer, Sr., 1720
Commerce Rd., Athens, Ga. 30607

[**] Term: 14 Years

[21] Appl. No.: 529,331

[22] Filed: Sep. 6, 1983

[52] U.S. Cl. D8/91; D8/93

[58] Field of Search D8/61, 62, 63, 90-94;
51/80 BS, 205 WG, 214, 206 R, 206.4, 209 R,
211 R; 76/82, 82.2, 84, 86, 88; 30/138, 139

[56] References Cited

U.S. PATENT DOCUMENTS

D. 133,016	7/1942	Wulff	D8/93
1,477,820	12/1923	Graser	51/214
2,053,359	9/1936	Wright	51/205 WG
2,471,207	5/1949	Freeman	51/214
2,560,654	7/1951	Lohutko	51/206 R X

3,229,426 1/1966 Russell 76/82.2 X

FOREIGN PATENT DOCUMENTS

854224 4/1940 France 76/82

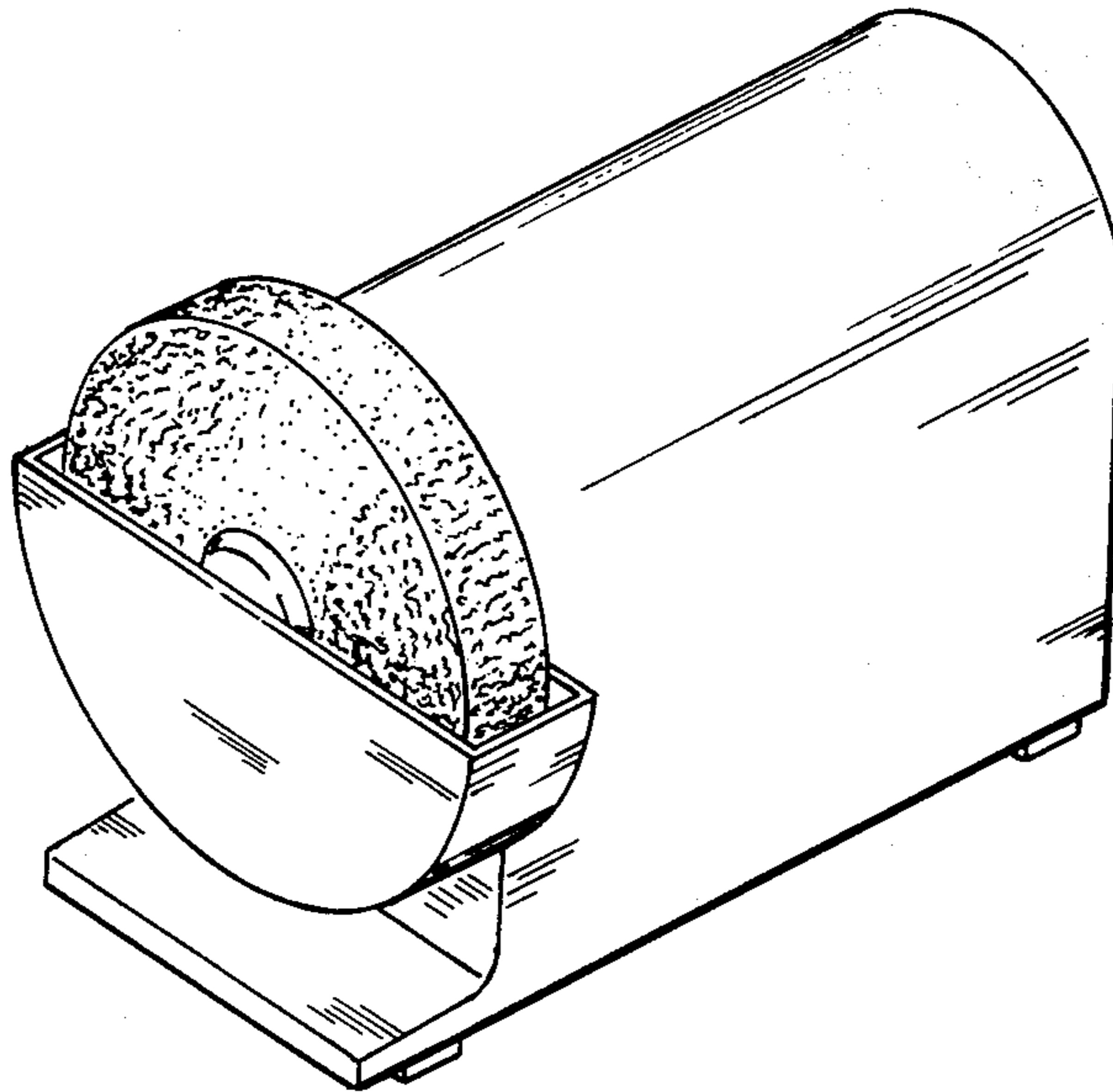
Primary Examiner—Susan J. Lucas
Assistant Examiner—Clare E. Heflin

[57] CLAIM

The ornamental design for a cutlery sharpener, as shown and described.

DESCRIPTION

FIG. 1 is a perspective view of a cutlery sharpener embodying my new design;
FIG. 2 is a top plan view thereof, the bottom being relatively plain and unadorned;
FIG. 3 is a side elevational view thereof, the opposite side being substantially identical thereto;
FIG. 4 is a front elevational view thereof; and
FIG. 5 is a rear elevational view thereof.



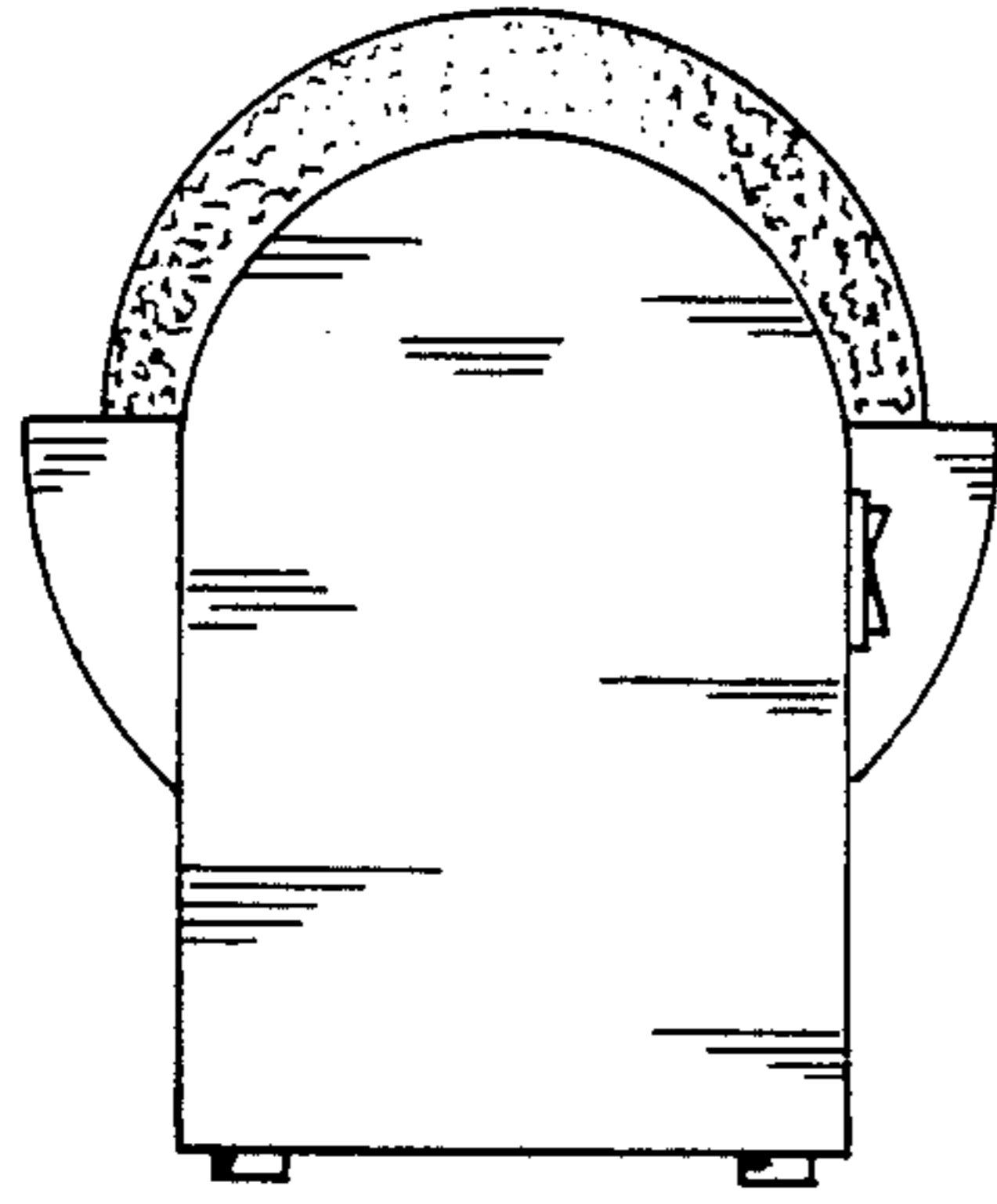


FIG. 5

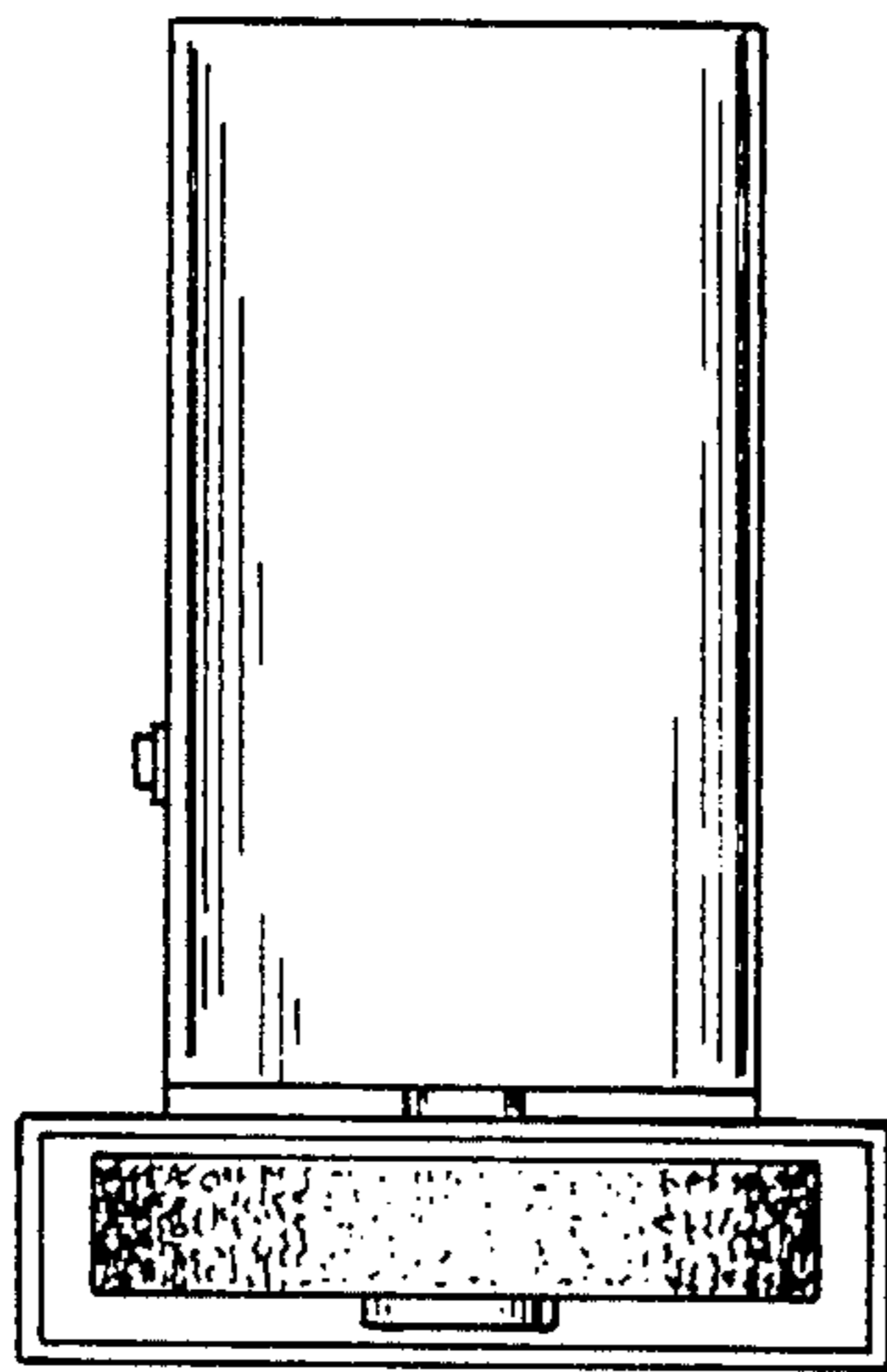


FIG. 2

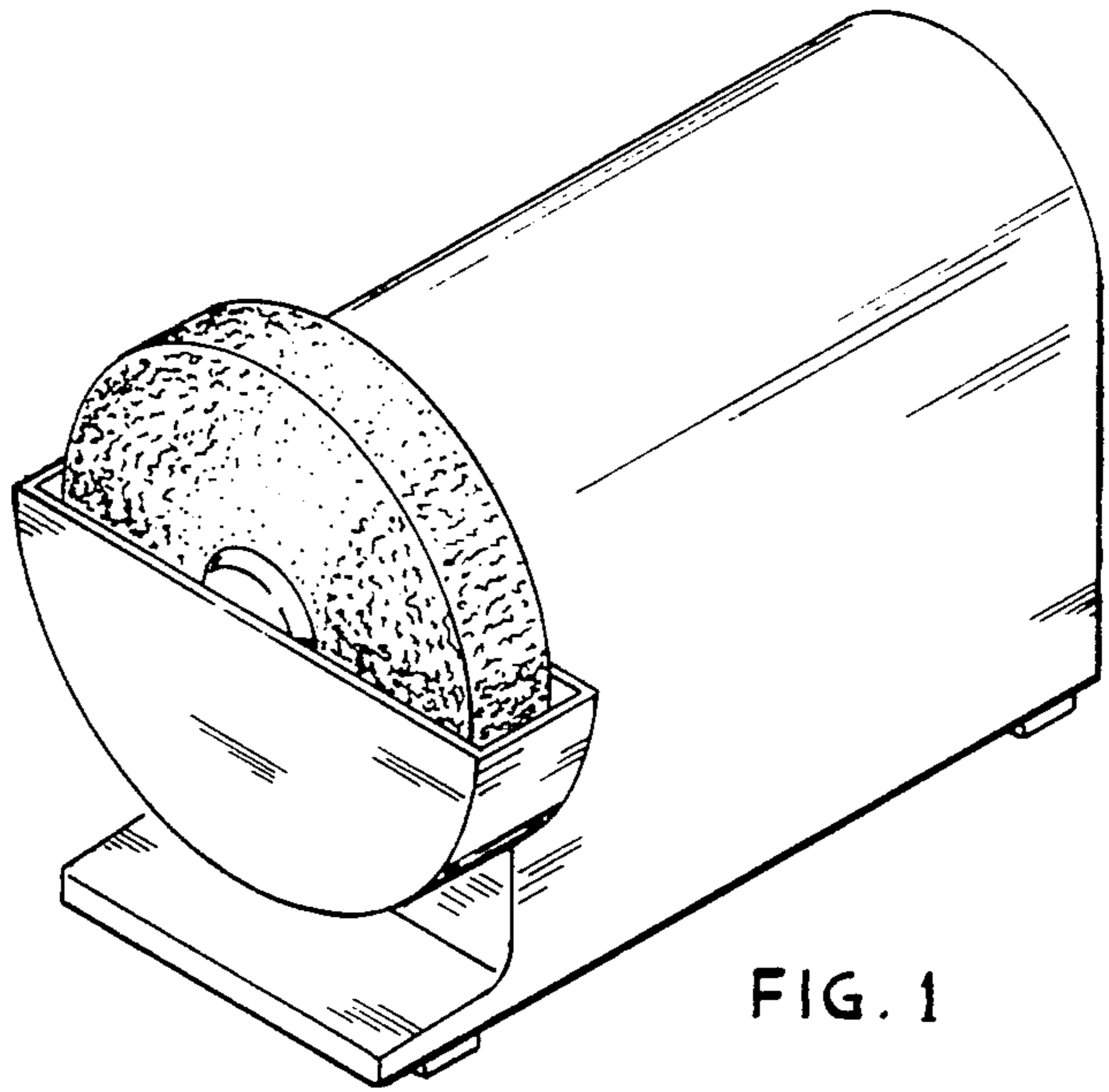


FIG. 1

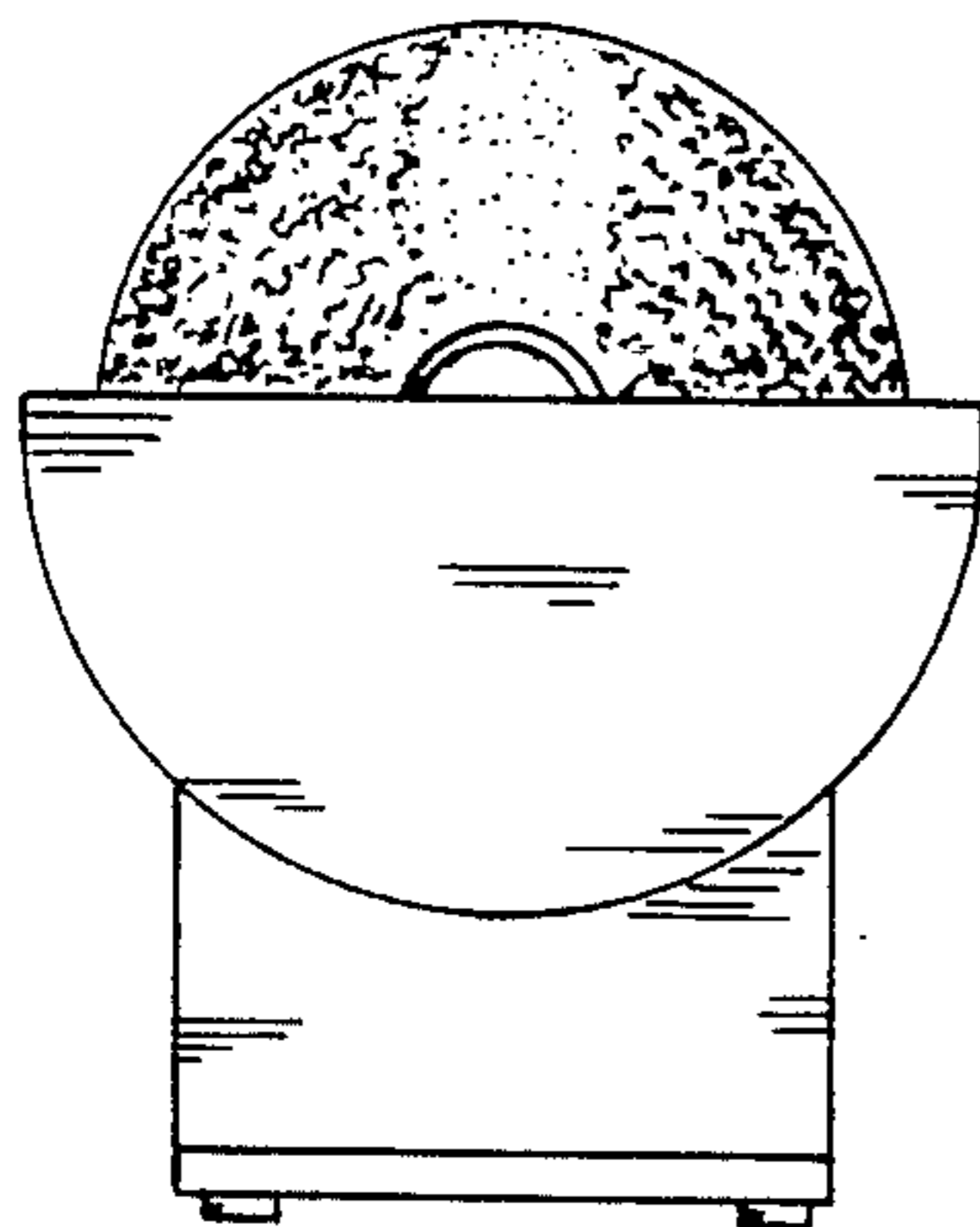


FIG. 4

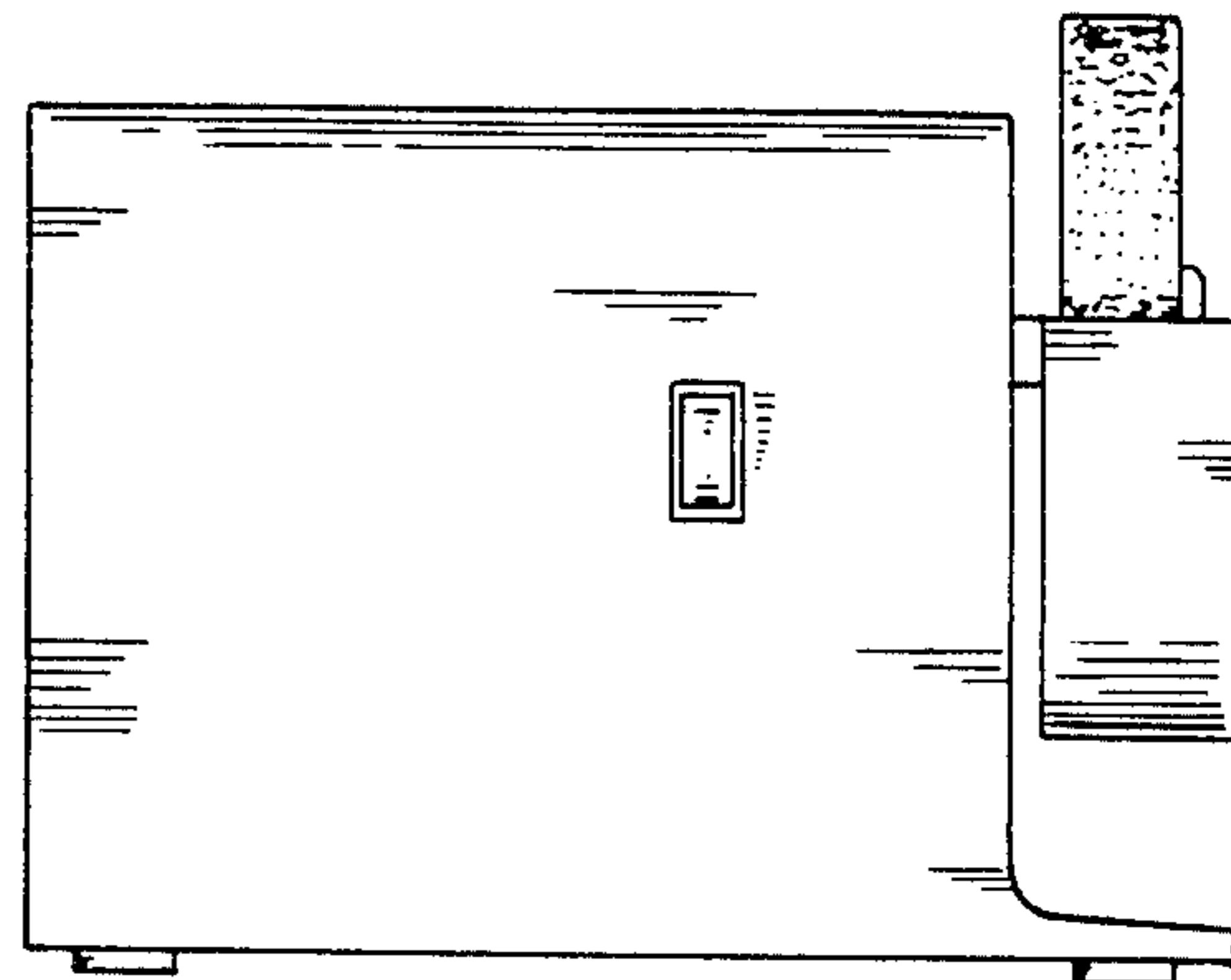


FIG. 3