

[54] CHAIR CONTROL

[76] Inventor: Frank Doerner, 138 Aberdeen Rd., Kitchener, Ontario, Canada, N2M 2Y7

[\*\*] Term: 14 Years

[21] Appl. No.: 487,178

[22] Filed: Apr. 21, 1983

[30] Foreign Application Priority Data

Mar. 15, 1983 [CA] Canada ..... 15-03-83-8

[52] U.S. Cl. .... D6/500

[58] Field of Search ..... D6/500; 248/371, 377, 248/378, 188.1; 297/301, 313, 349, 445-451

[56] References Cited

U.S. PATENT DOCUMENTS

- D. 242,514 11/1976 Doerner ..... D6/500
- D. 246,217 11/1977 Doerner ..... D6/500
- D. 246,558 12/1977 Doerner ..... D6/500
- D. 247,943 5/1978 Doerner ..... D6/500

D. 252,661 8/1979 Bowman ..... D6/500

Primary Examiner—Bruce W. Dunkins  
Attorney, Agent, or Firm—Riches, McKenzie & Herbert

[57] CLAIM

The ornamental design for a chair control, substantially as shown and described.

DESCRIPTION

FIG. 1 is a side elevational view of a chair control showing my new design, the opposite side being a mirror image of the side shown therein;

FIG. 2 is an end elevational view thereof;

FIG. 3 is an end elevational view of the opposite end thereof;

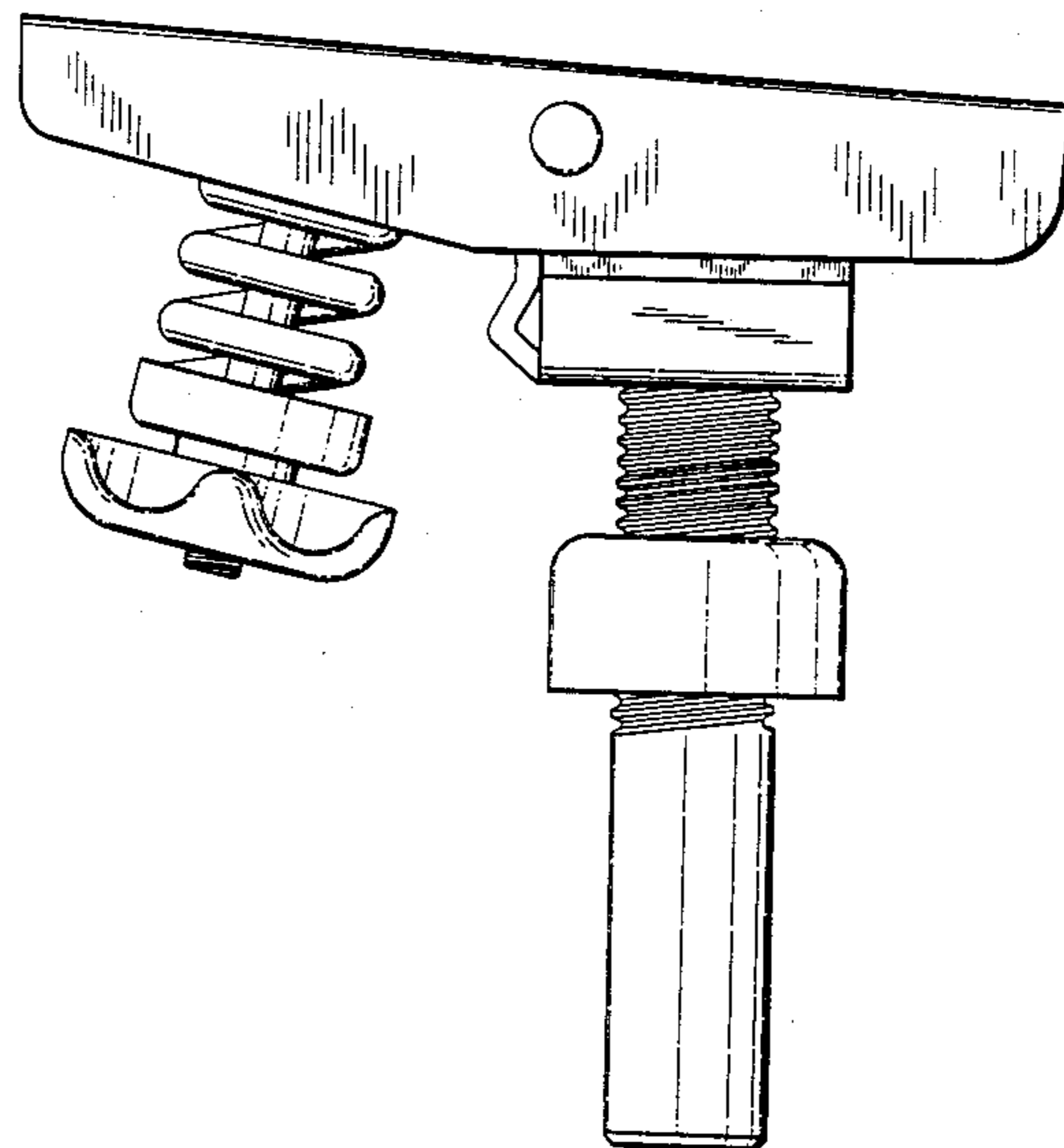
FIG. 4 is a top view thereof;

FIG. 5 is a side elevational view of second embodiment of chair control showing my new design, the opposite side being a mirror image of the side shown therein;

FIG. 6 is an end elevational view thereof;

FIG. 7 is an end elevational view of the opposite end thereof;

FIG. 8 is a top view thereof.



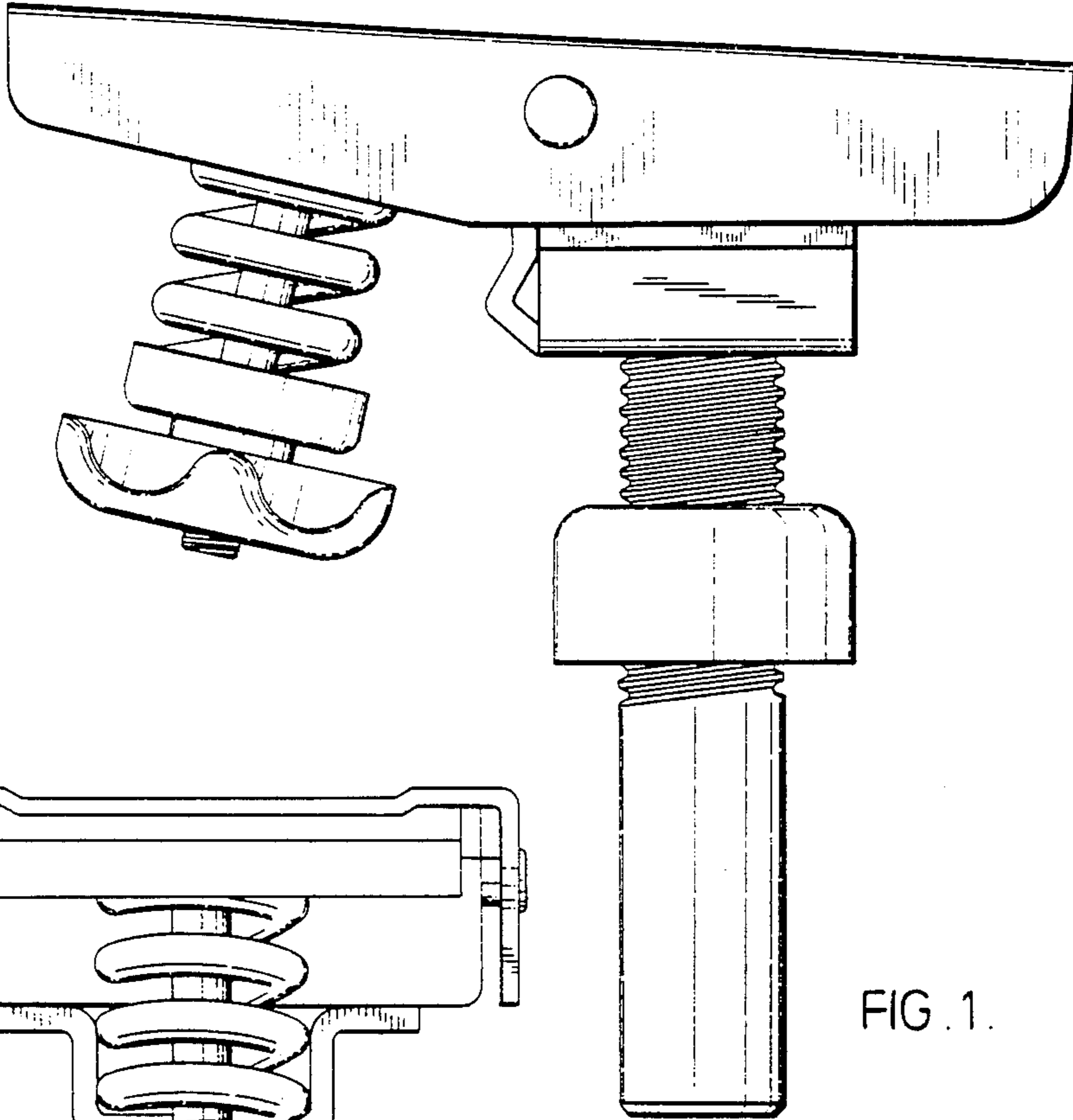


FIG. 1.

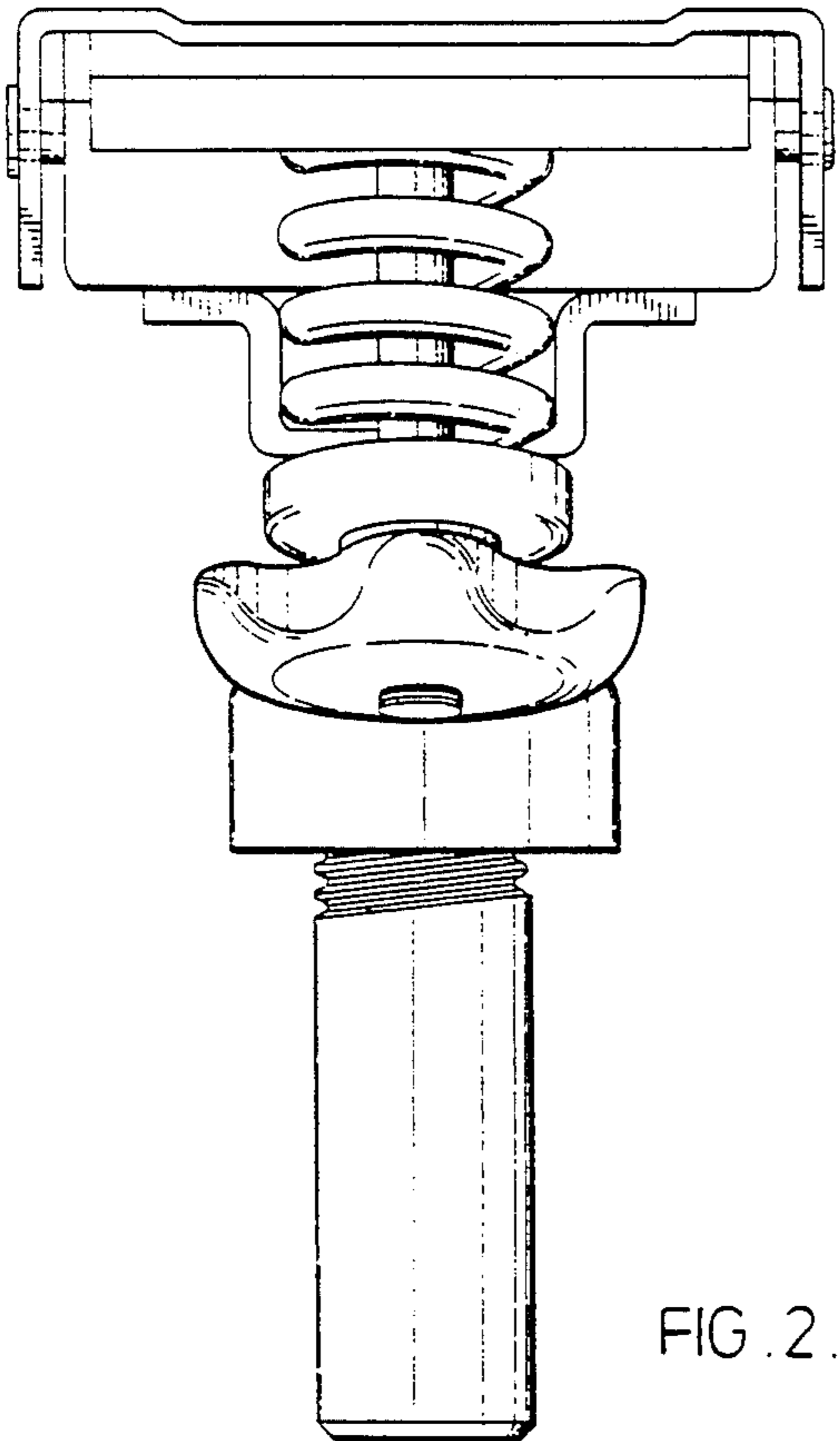


FIG. 2.

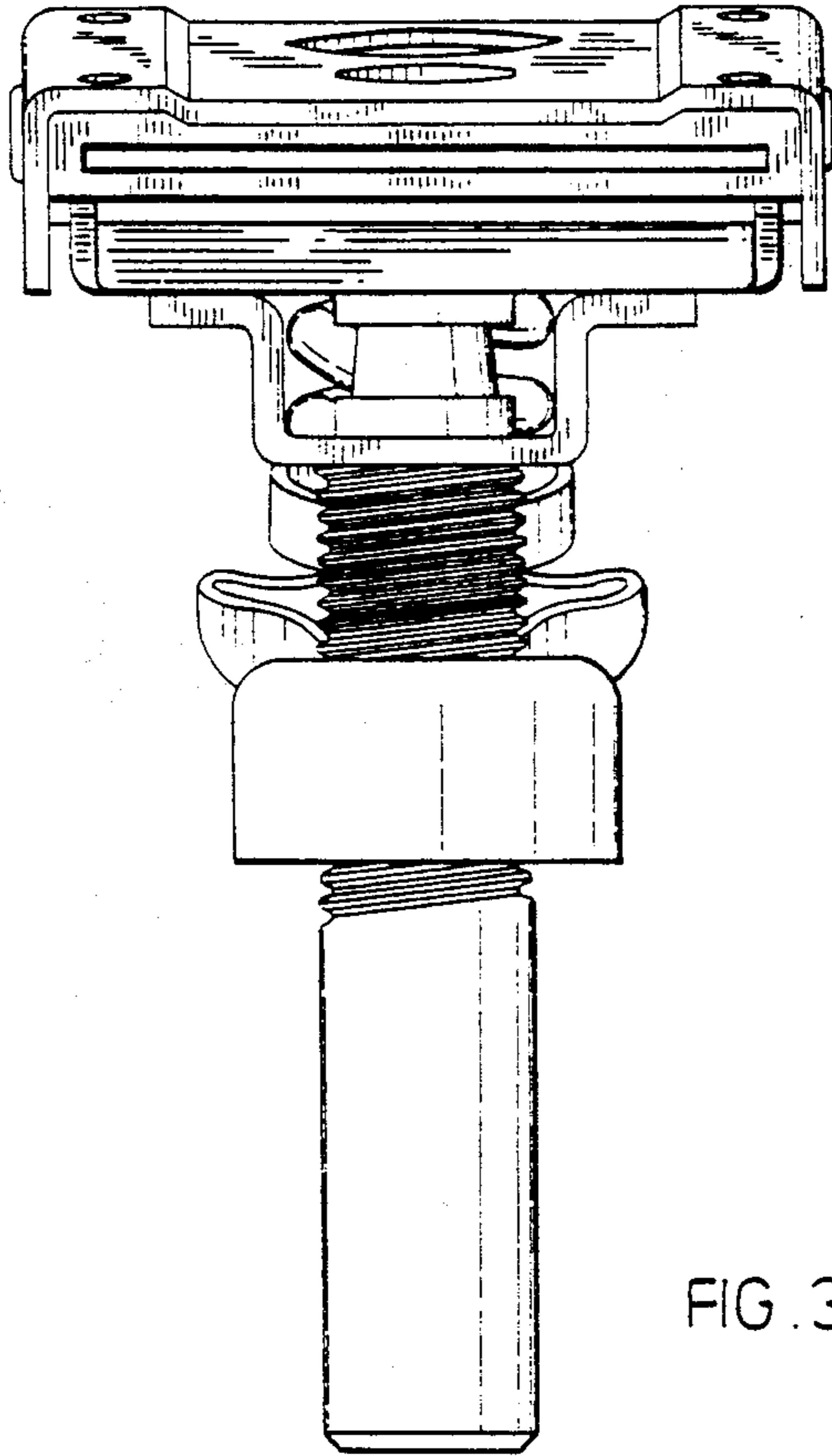
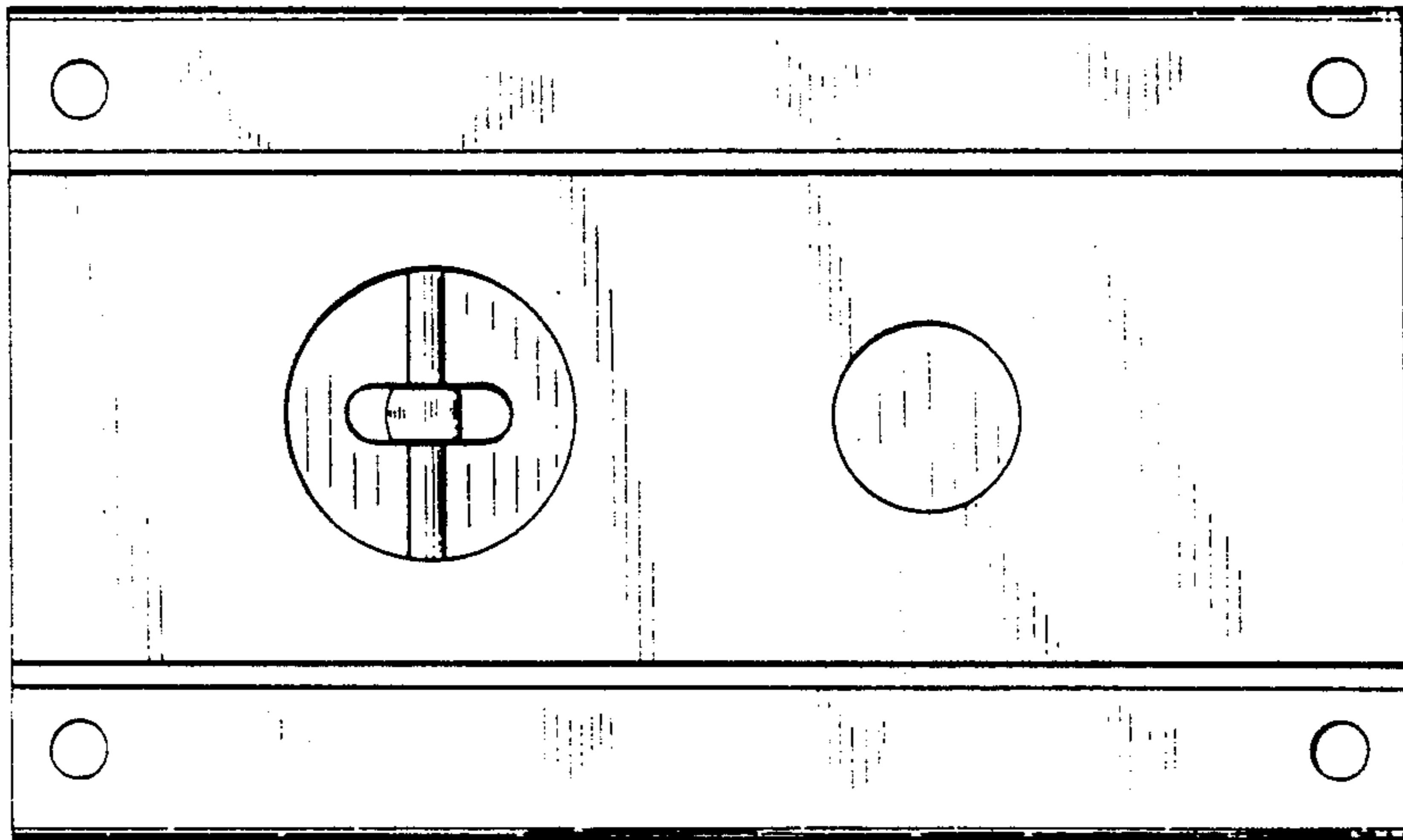


FIG. 3.

FIG. 4.



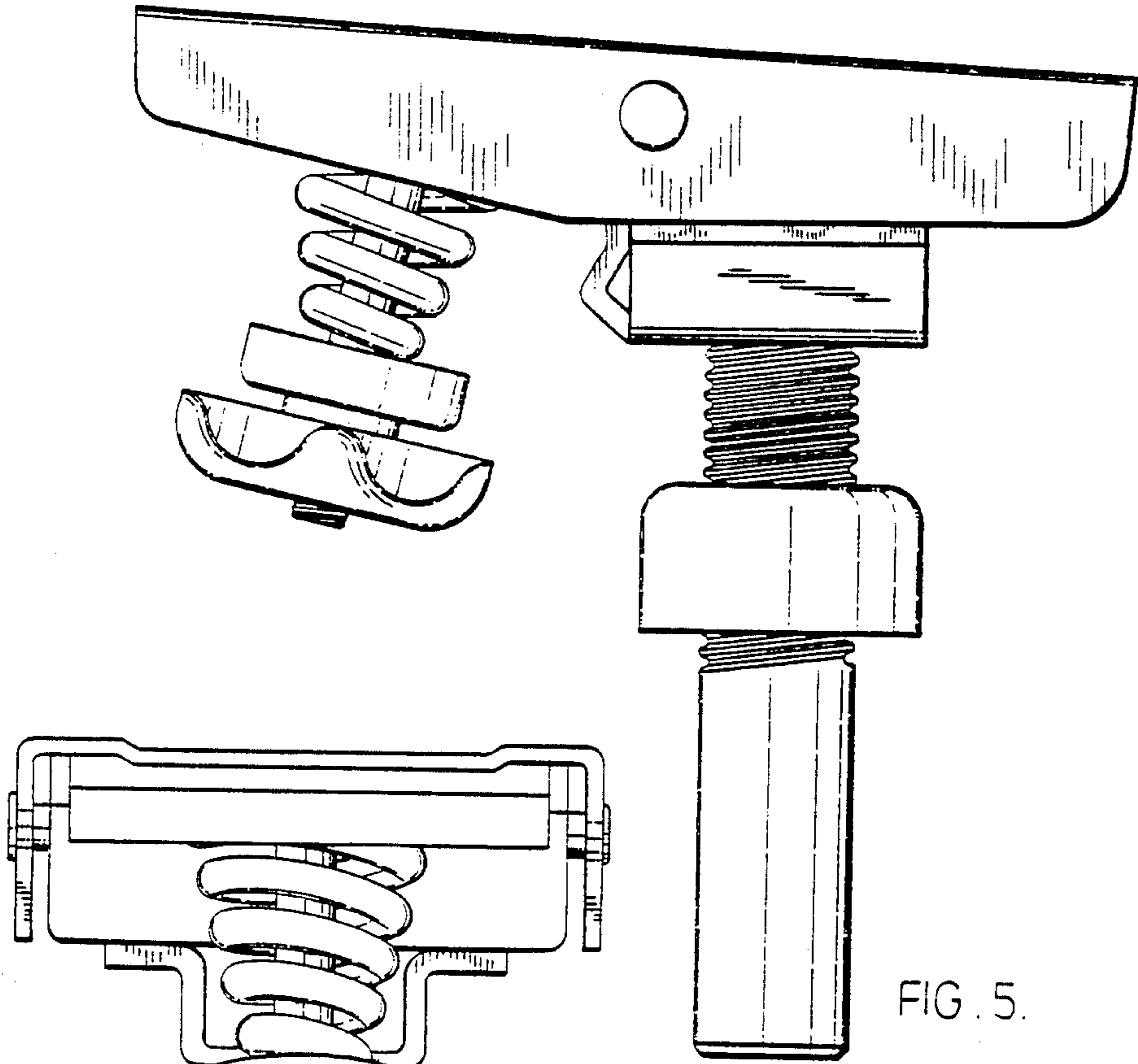


FIG. 5.

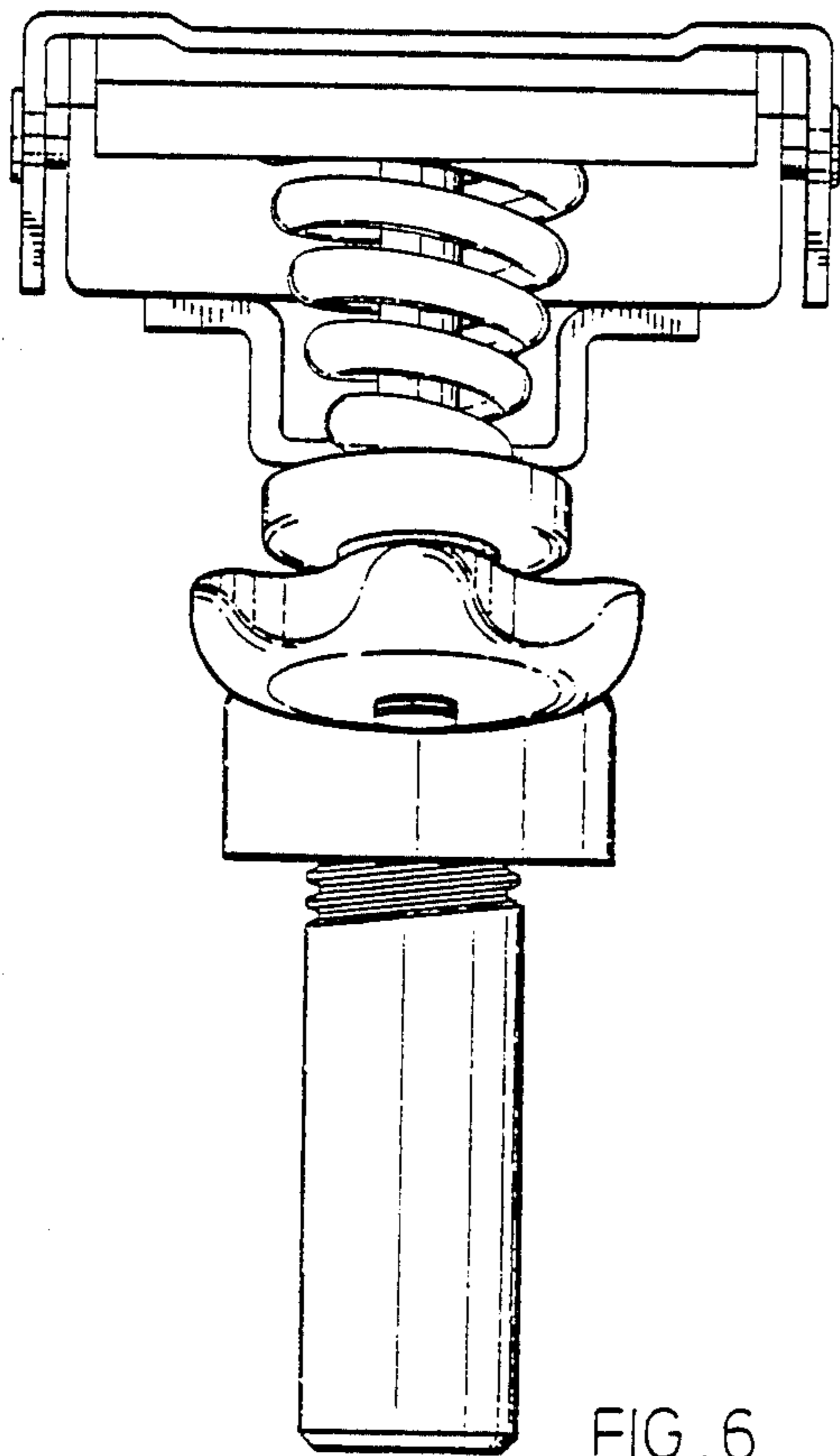


FIG. 6.

