

[54] **PARK BENCH**

[75] **Inventors: Duncan C. Syme, Chelsea; Vance R. Smith, Fish Hill; Brian J. Tyrol, South Royalton, all of Vt.**

[73] **Assignee: Vermont Castings, Inc., Randolph, Vt.**

[**] **Term: 14 Years**

[21] **Appl. No.: 383,776**

[22] **Filed: Jun. 1, 1982**

[52] **U.S. Cl. D6/381; D6/370; D6/379**

[58] **Field of Search D6/59-71**

[56] **References Cited**

U.S. PATENT DOCUMENTS

D. 185,770 7/1959 Meer D6/60
D. 264,151 5/1982 Sauls et al. D6/60

OTHER PUBLICATIONS

“Declaration” by Drexel, Jun. 25, 1964, Bench on outside front cover.

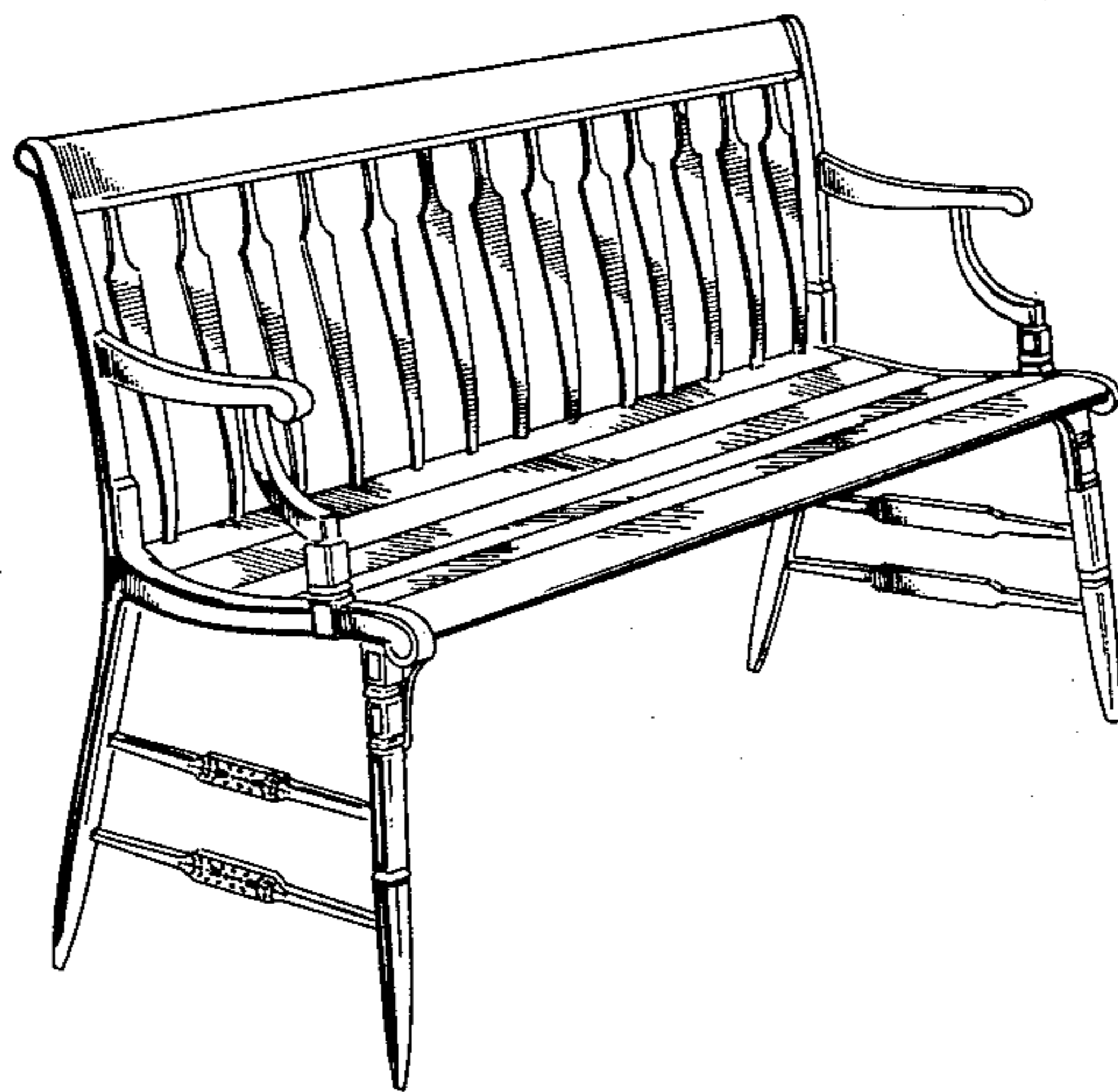
Primary Examiner—Bruce W. Dunkins
Attorney, Agent, or Firm—Kenway & Jenney

[57] **CLAIM**

The ornamental design for a park bench, as shown.

DESCRIPTION

FIG. 1 is a front perspective view of a park bench showing our new design;
FIG. 2 is a bottom rear perspective view of the park bench of FIG. 1; and
FIG. 3 is a side elevation view of the park bench of FIG. 1.



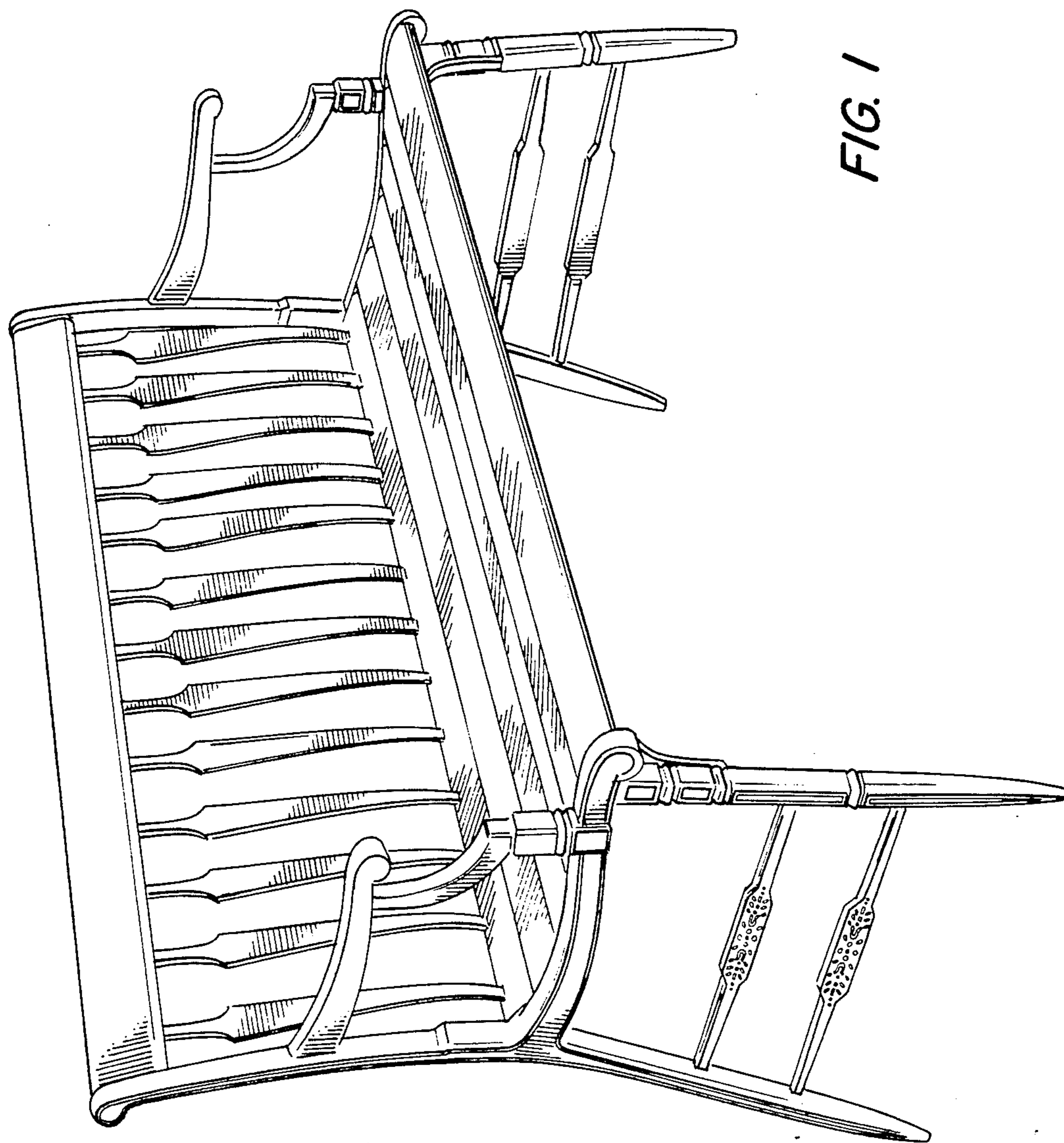


FIG. 1

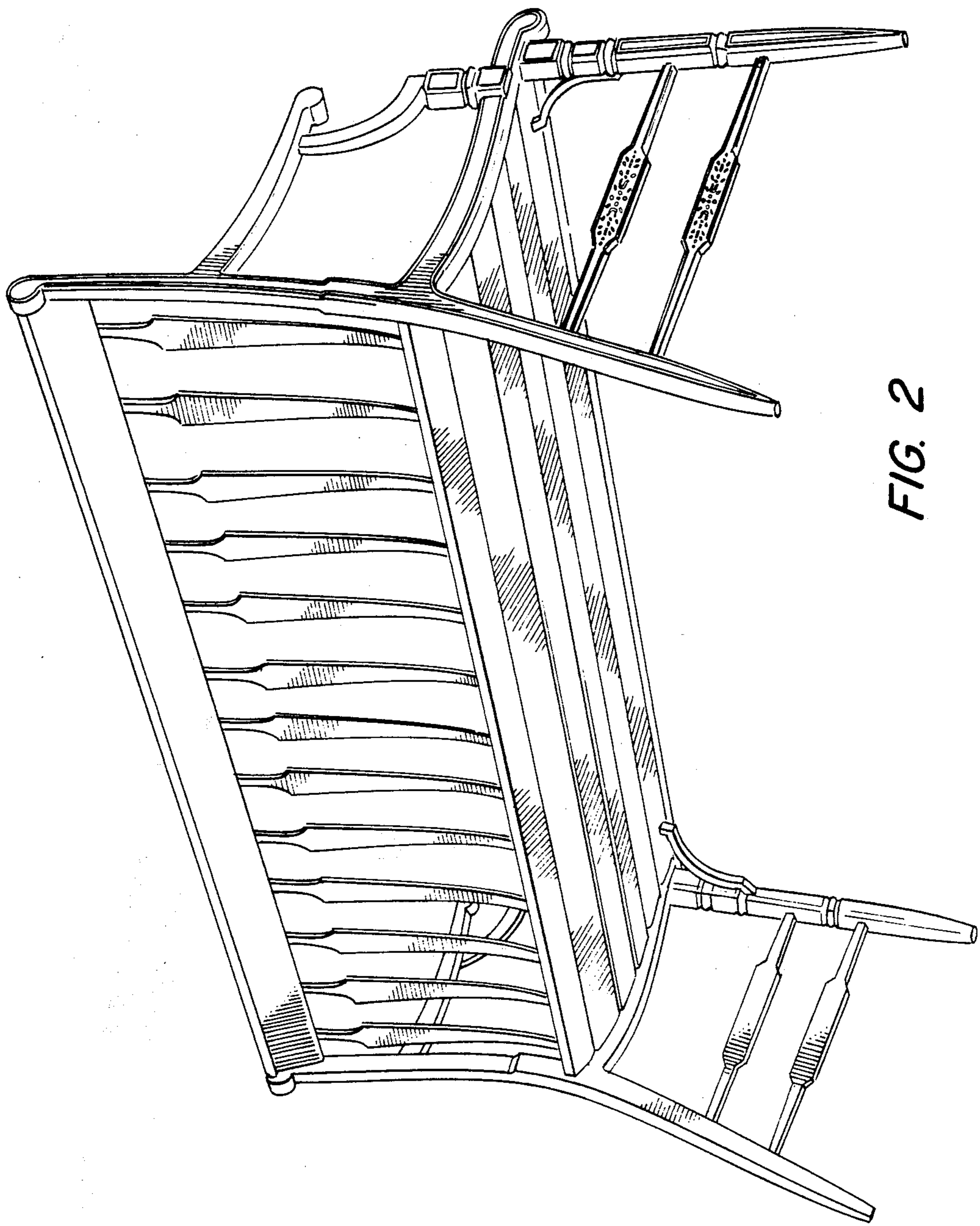


FIG. 2

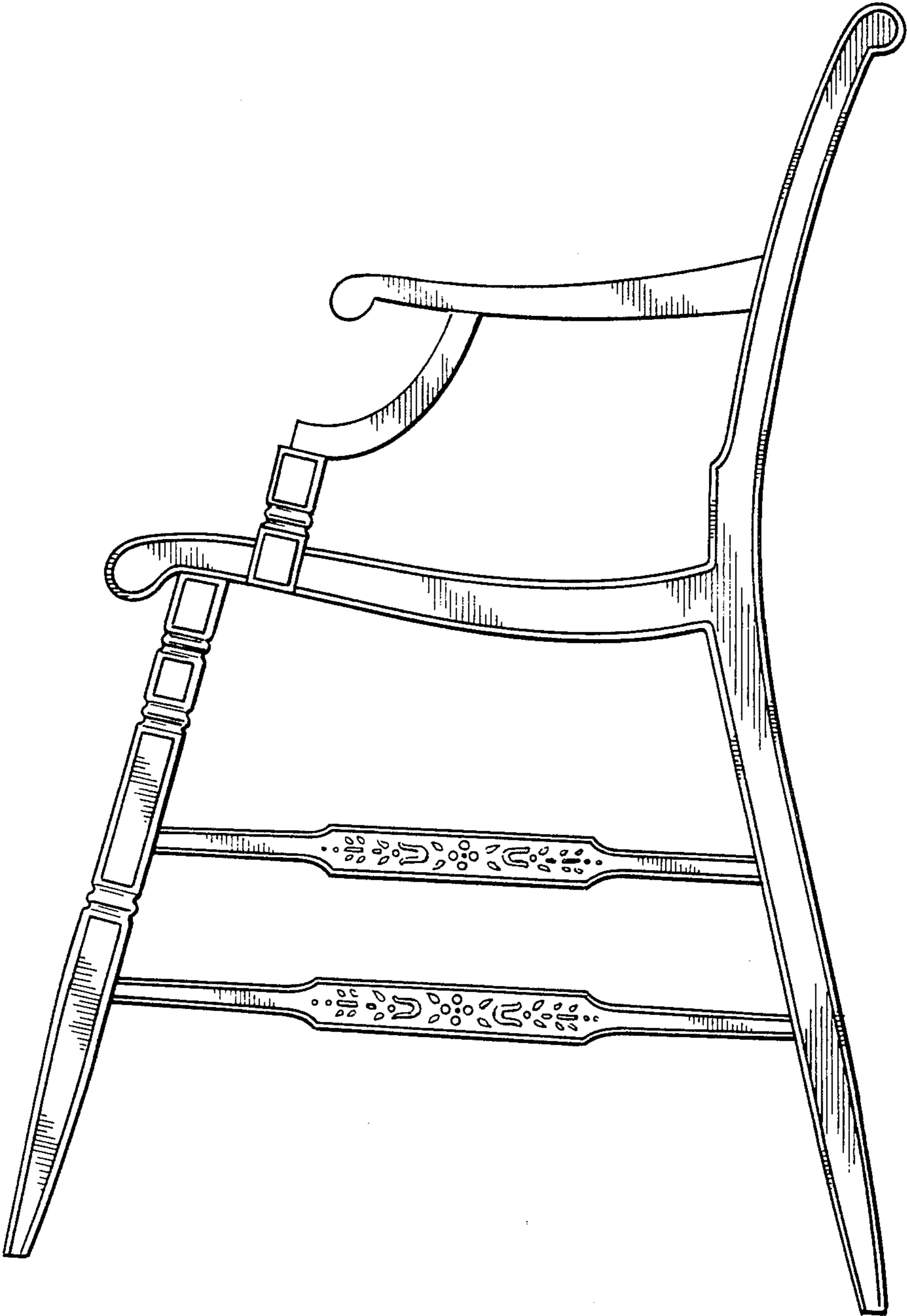


FIG. 3