

[54] **HANDLE FOR PAINT ROLLER FRAME**

[75] **Inventor: Morley L. Smith, Beaconsfield, Canada**

[73] **Assignee: T. S. Simms & Co. Limited, Saint John, Canada**

[**] **Term: 14 Years**

[21] **Appl. No.: 269,429**

[22] **Filed: Jun. 1, 1981**

[30] **Foreign Application Priority Data**

Apr. 30, 1981 [CA] Canada 30-04-81-4

[52] **U.S. Cl. D4/138**

[58] **Field of Search 15/230.11, 143 R, 145; D4/121, 122, 123, 138**

[56] **References Cited**

U.S. PATENT DOCUMENTS

3,520,628 7/1970 Mocerri 15/230.11 X

4,198,723 4/1980 Hiller et al. 15/230.11

4,335,484 6/1982 Ridge et al. 15/230.11

FOREIGN PATENT DOCUMENTS

2343518 10/1977 France 15/230.11

Primary Examiner—Catherine E. Kemper
Attorney, Agent, or Firm—Fetherstonhaugh & Co.

[57] **CLAIM**

The ornamental design of a handle for a paint roller frame, as shown and described.

DESCRIPTION

FIG. 1 is a perspective view of a handle of a paint roller frame, showing my new design;

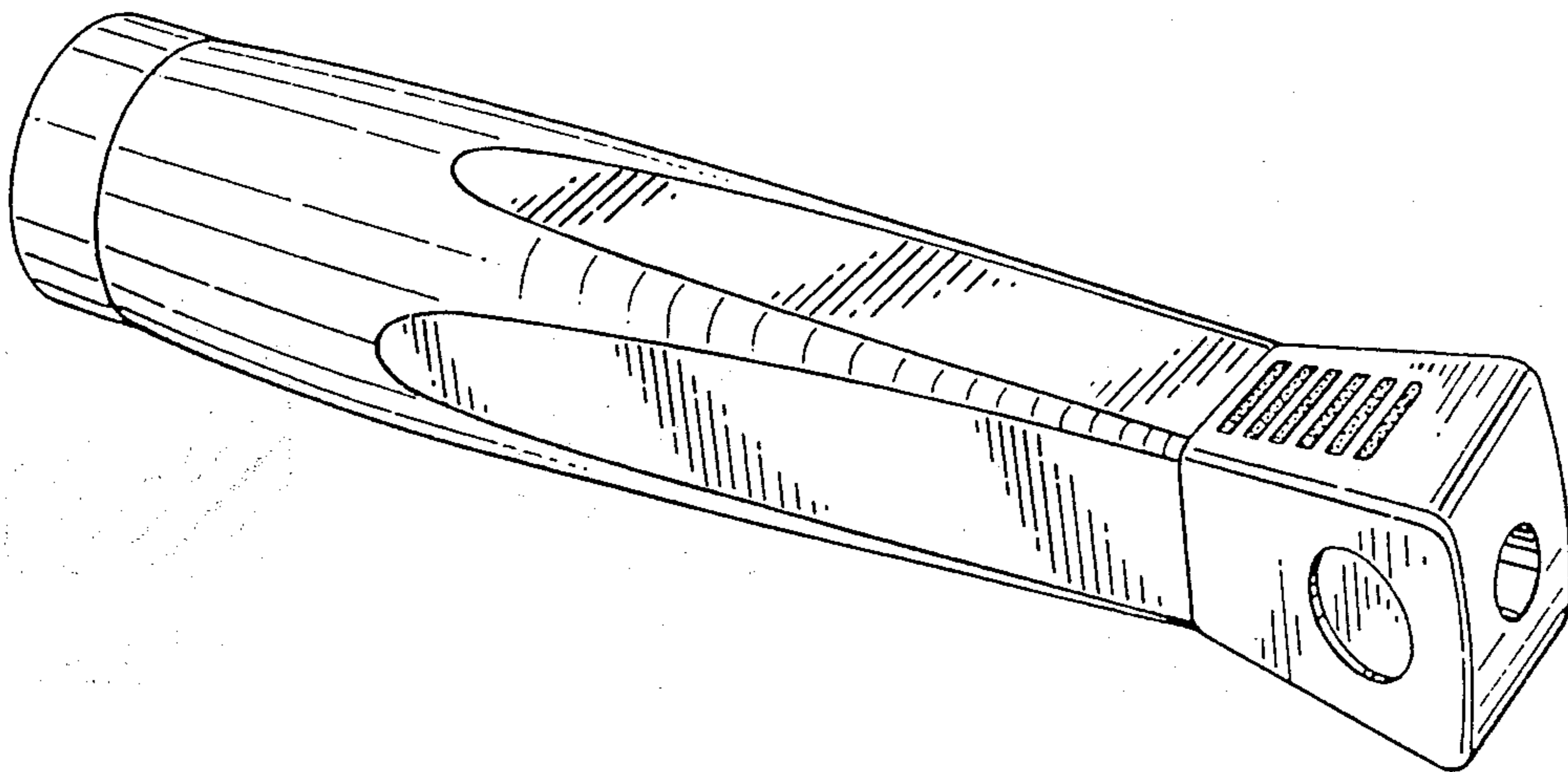
FIG. 2 is a perspective view thereof taken from the opposite end with the handle rotated 90°;

FIG. 3 is a left end elevation;

FIG. 4 is a sectional view illustrating the cross-sectional configuration of the handle in the plane of the line 4—4 of FIG. 2.

FIG. 5 is a sectional view illustrating the cross-sectional configuration of the handle in the plane of the line 5—5 of FIG. 2.

FIG. 6 is a sectional view illustrating the cross-sectional configuration of the handle in the plane of the line 6—6 of FIG. 2.



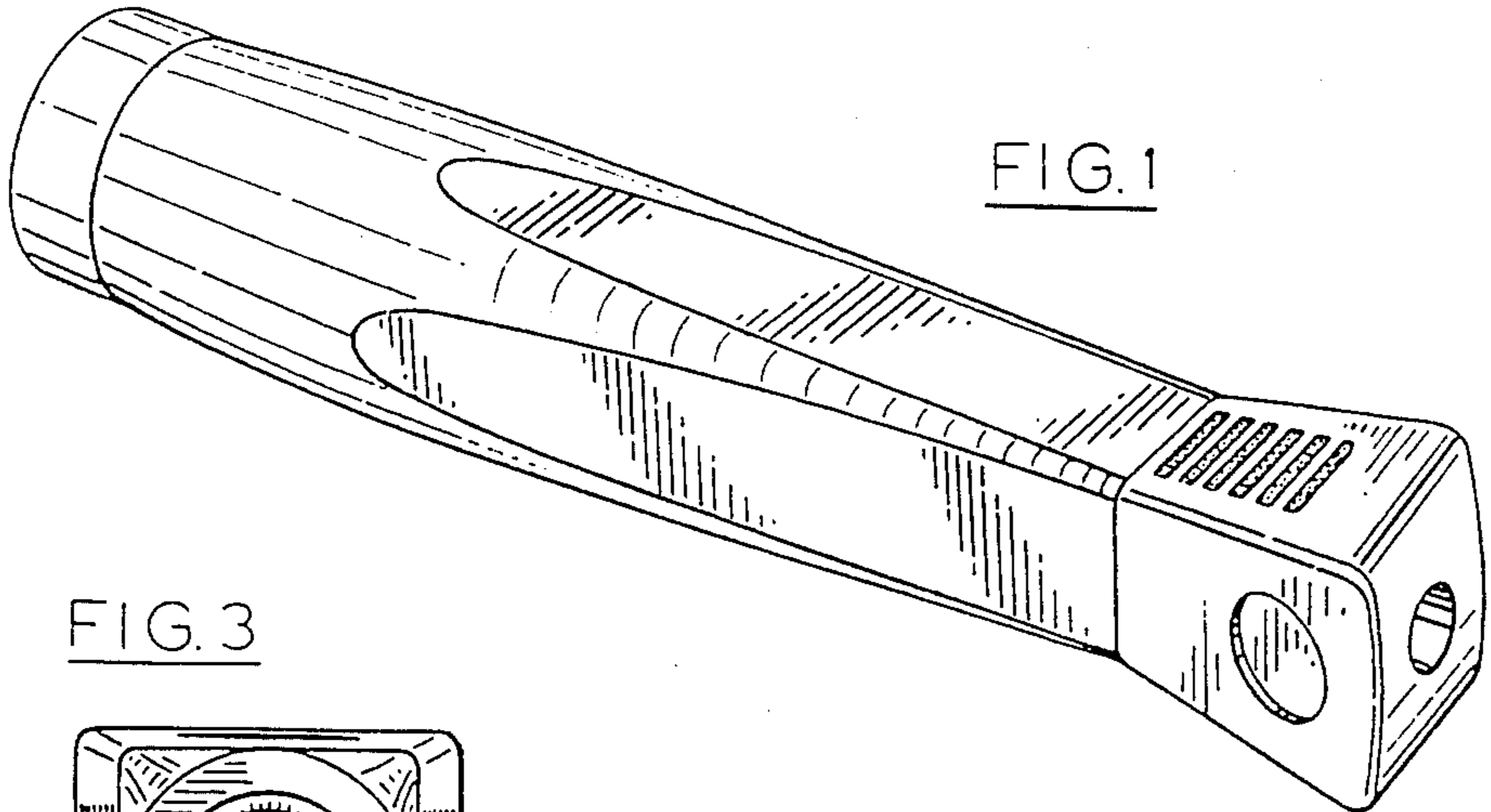


FIG. 3

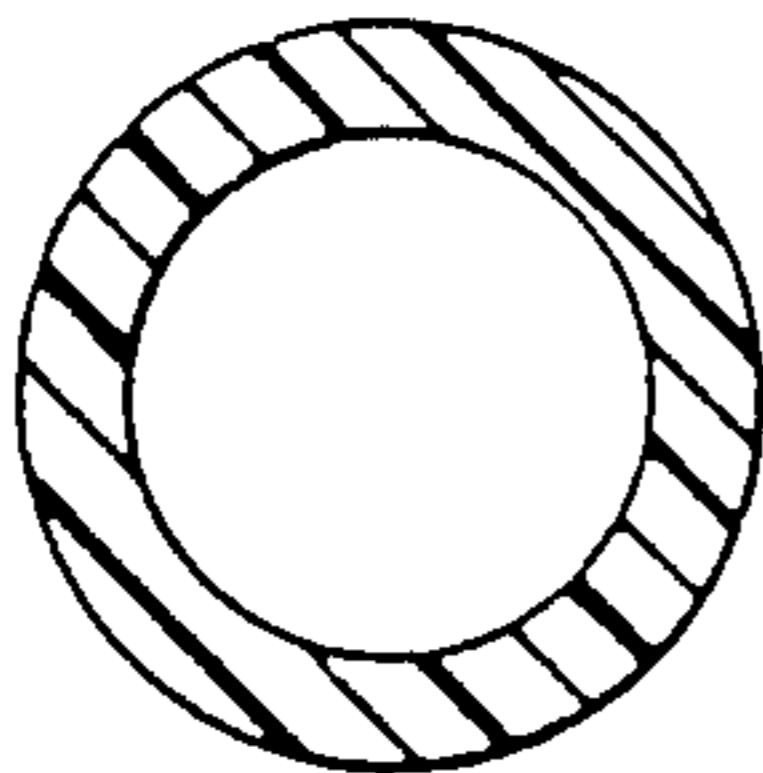
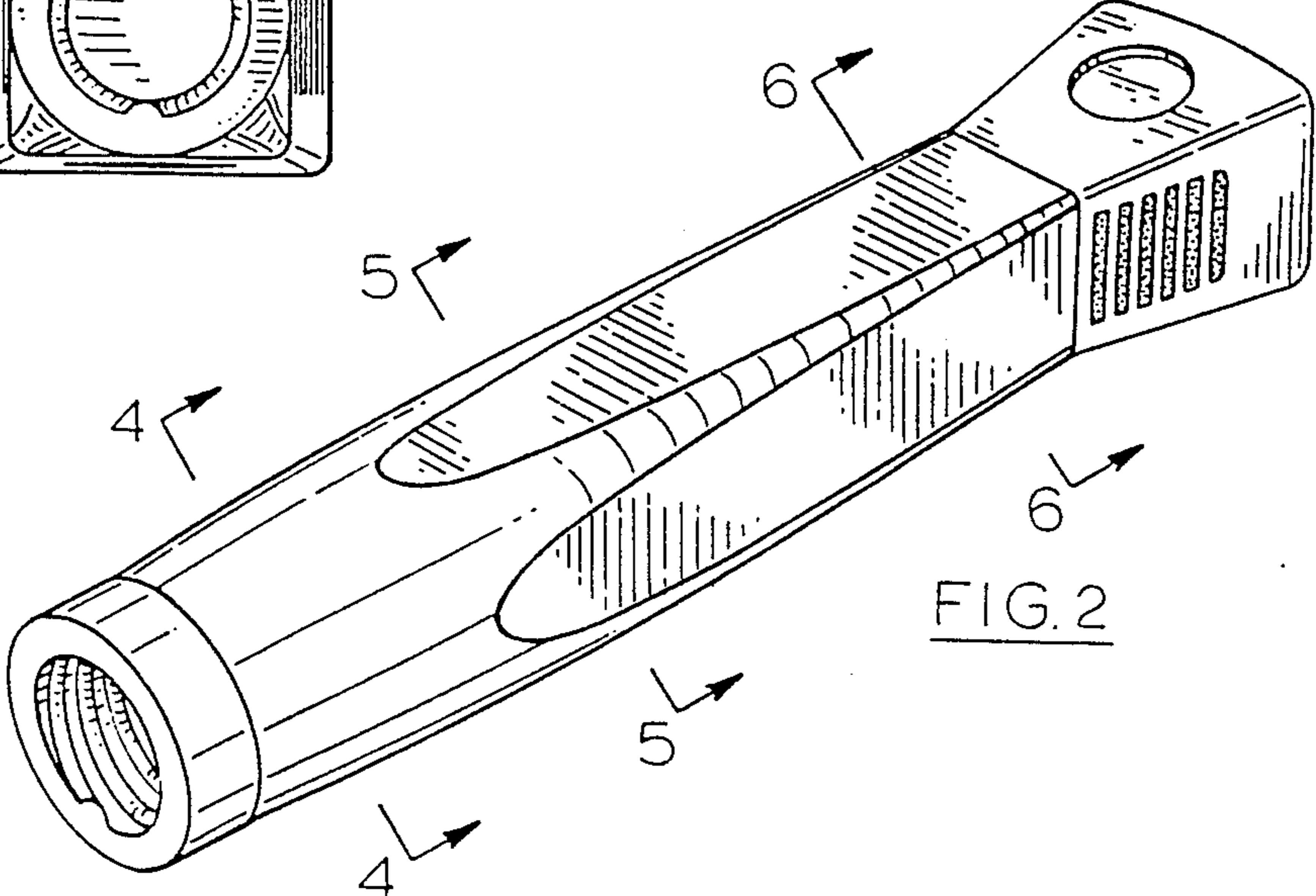
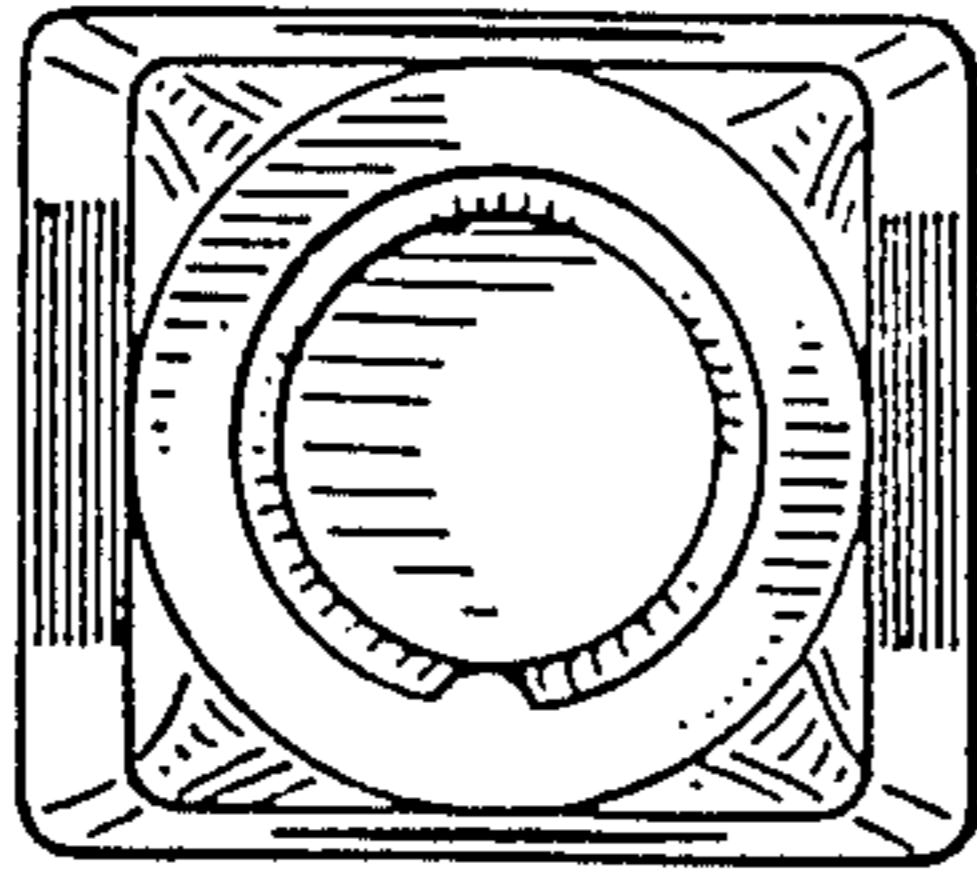


FIG. 4

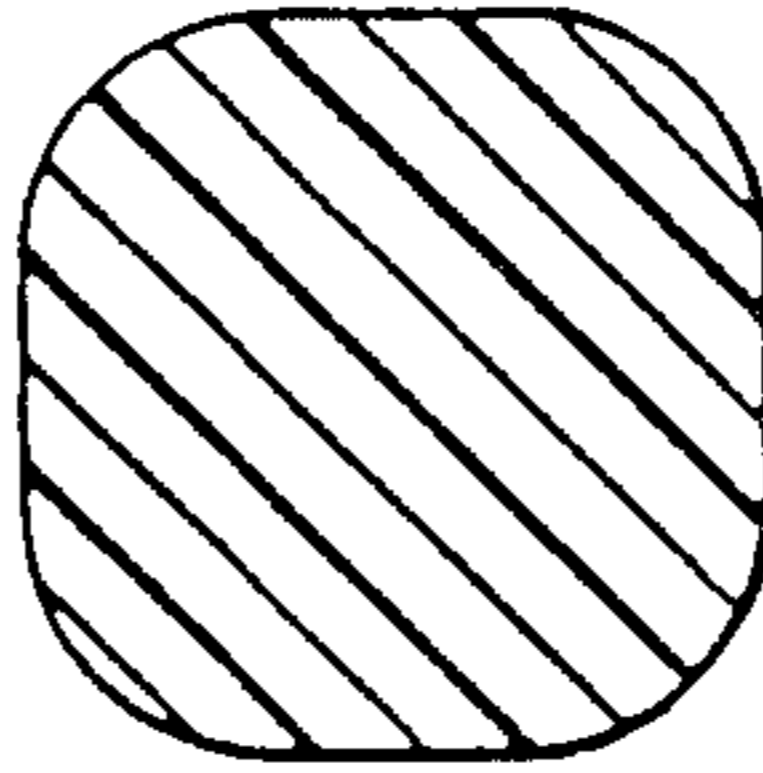


FIG. 5

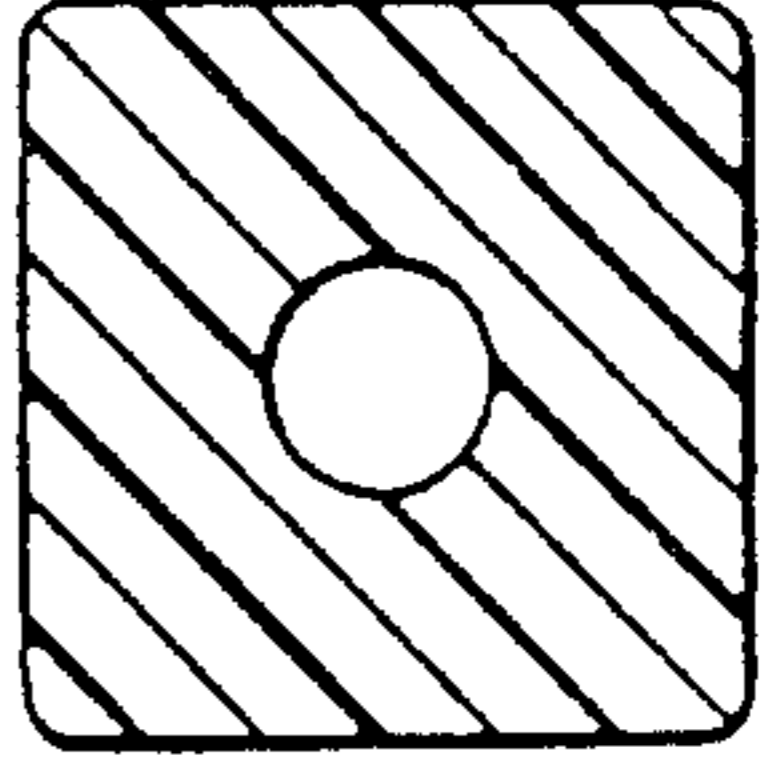


FIG. 6