

United States Patent [19]

Peeler et al.

[11] Patent Number: Des. 278,937

[45] Date of Patent: ** May 21, 1985

[54] SURGICAL LIGHT

[75] Inventors: Donald H. Peeler, Pittsford; Daniel Calabria, Henrietta, both of N.Y.

[73] Assignee: Sybron Corporation, Rochester, N.Y.

[**] Term: 14 Years

[21] Appl. No.: 443,247

[22] Filed: Nov. 22, 1982

[52] U.S. Cl. D26/65; D26/24

[58] Field of Search 362/306, 307, 310, 311, 362/294; D26/24, 61, 63, 65; 362/227, 235, 240, 257, 804, 33

[56] References Cited

U.S. PATENT DOCUMENTS

D. 171,034 12/1953 Greppin D26/65
D. 214,188 5/1969 Lauterbach D26/65
4,288,844 9/1981 Fisher et al. 362/227 X

FOREIGN PATENT DOCUMENTS

2532946 1/1977 Fed. Rep. of Germany 362/804

Primary Examiner—Susan J. Lucas

Attorney, Agent, or Firm—Robert A. Gerlach; Owen D. Marjama

[57] CLAIM

The ornamental design for a surgical light, substantially as shown and described.

DESCRIPTION

FIG. 1 is a perspective view of a surgical light showing our new design;

FIG. 2 is a front view thereof;

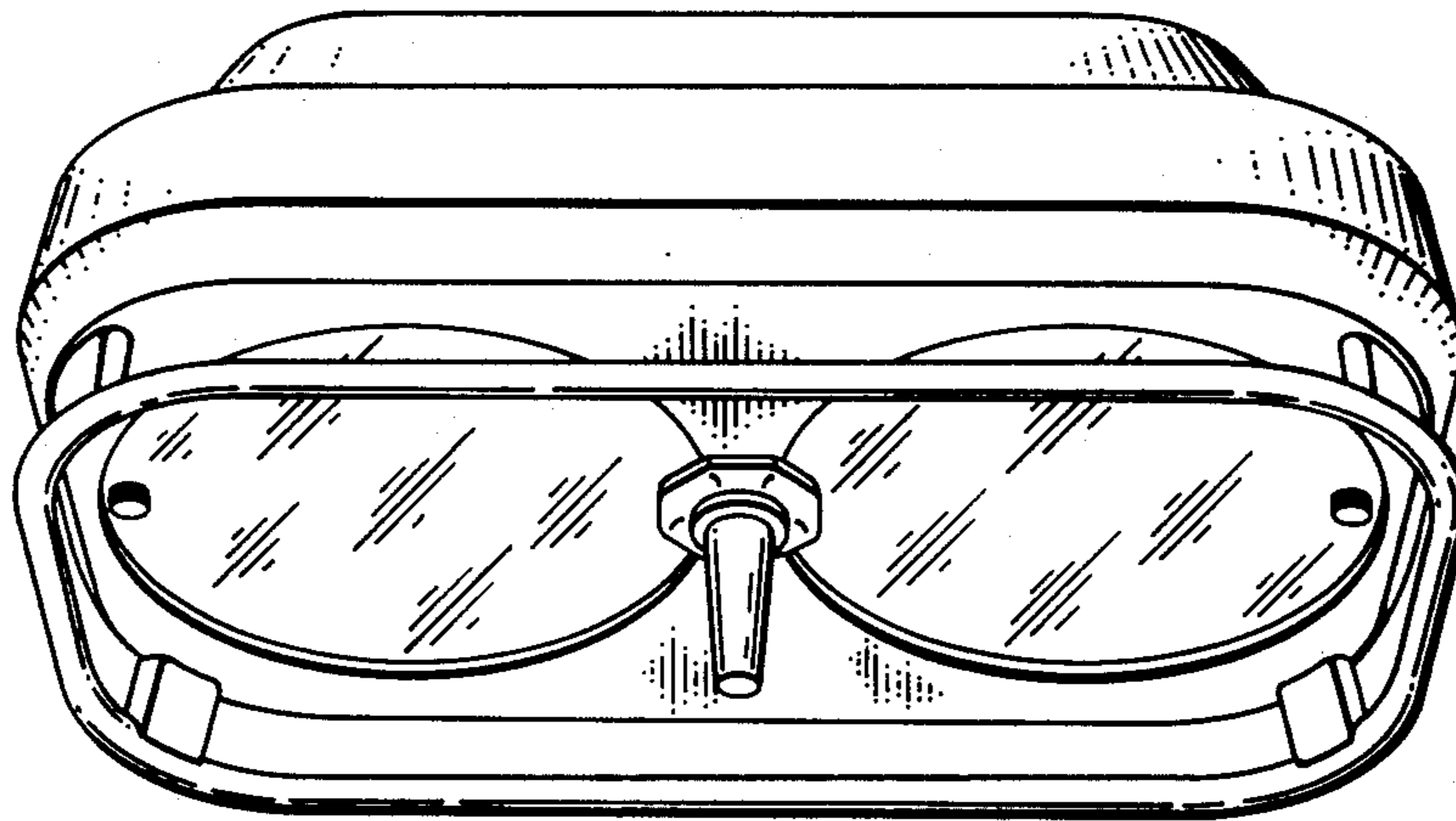
FIG. 3 is a right side view thereof;

FIG. 4 is a rear view thereof;

FIG. 5 is a left side view thereof;

FIG. 6 is a bottom view thereof;

FIG. 7 is a top view thereof.



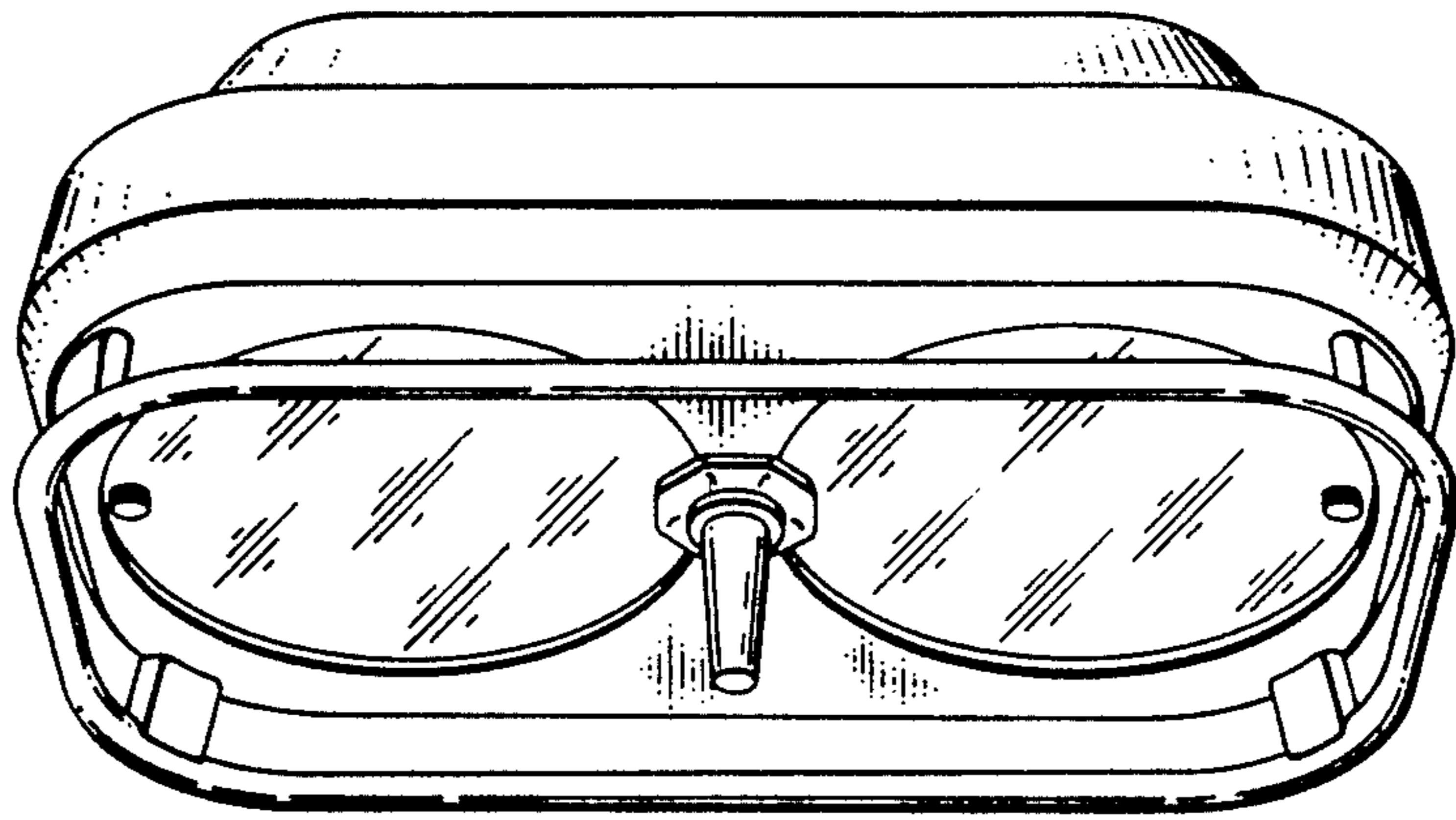


FIG. 1

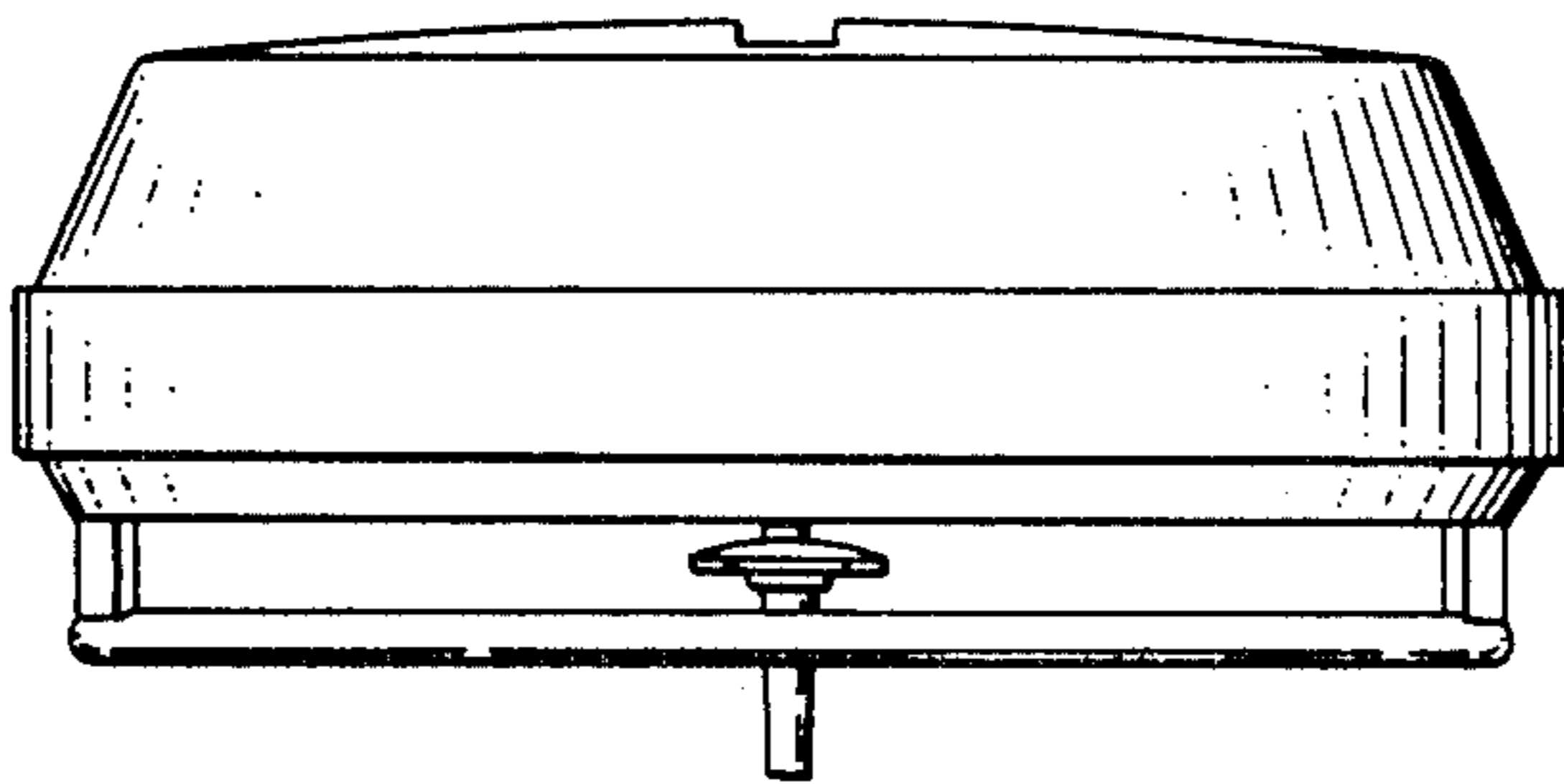


FIG. 2

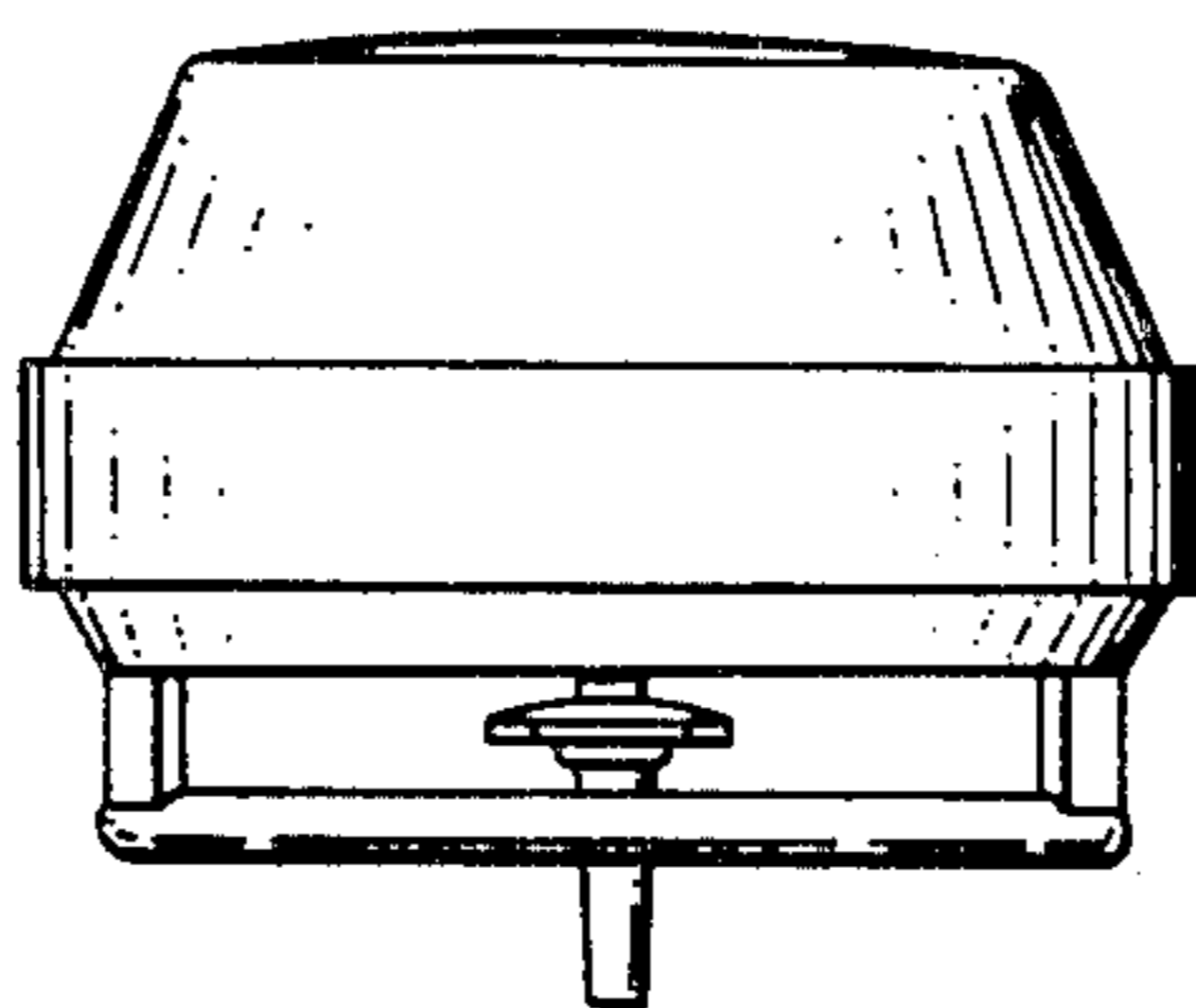


FIG. 3

FIG. 4

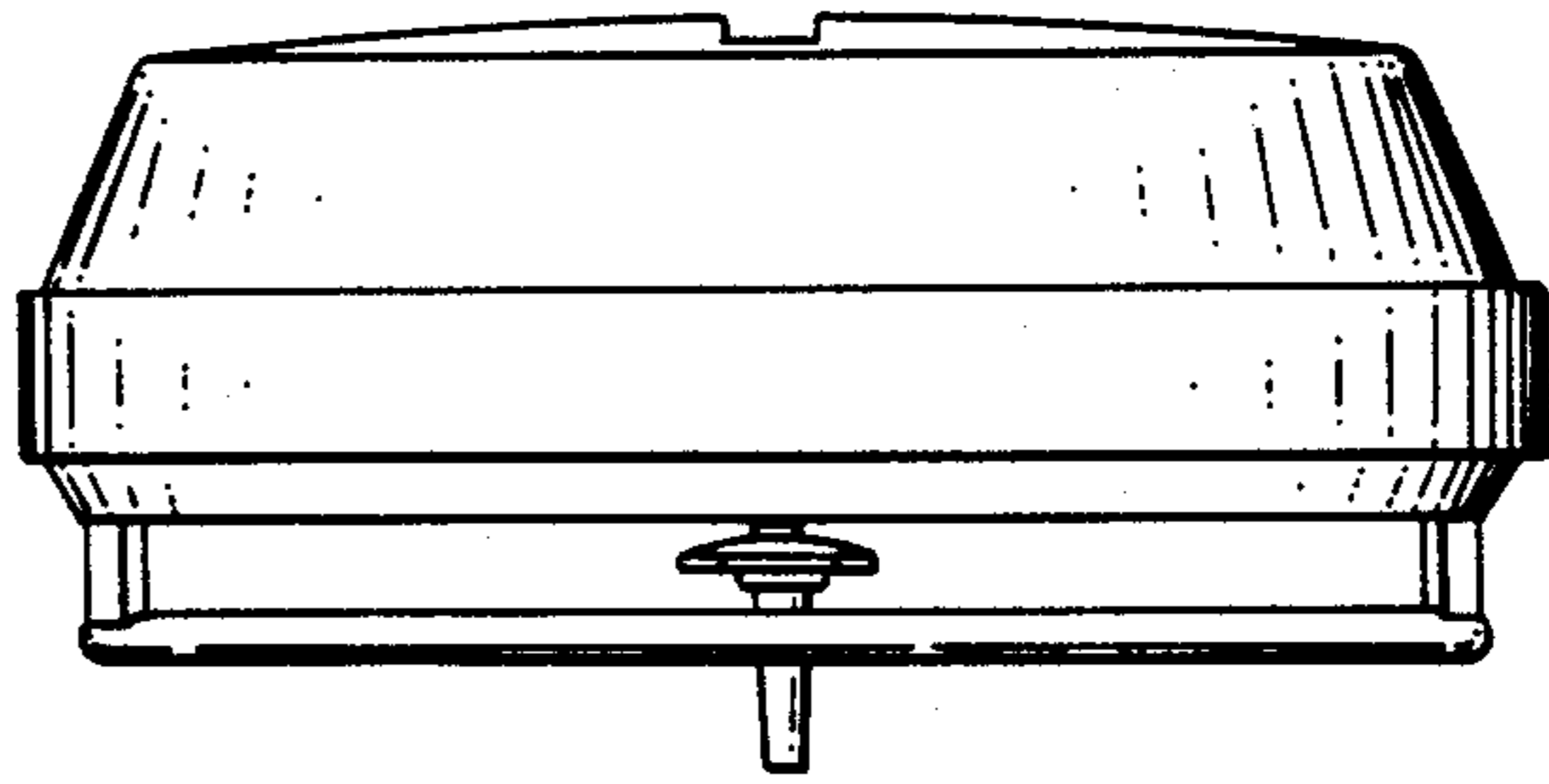


FIG. 5

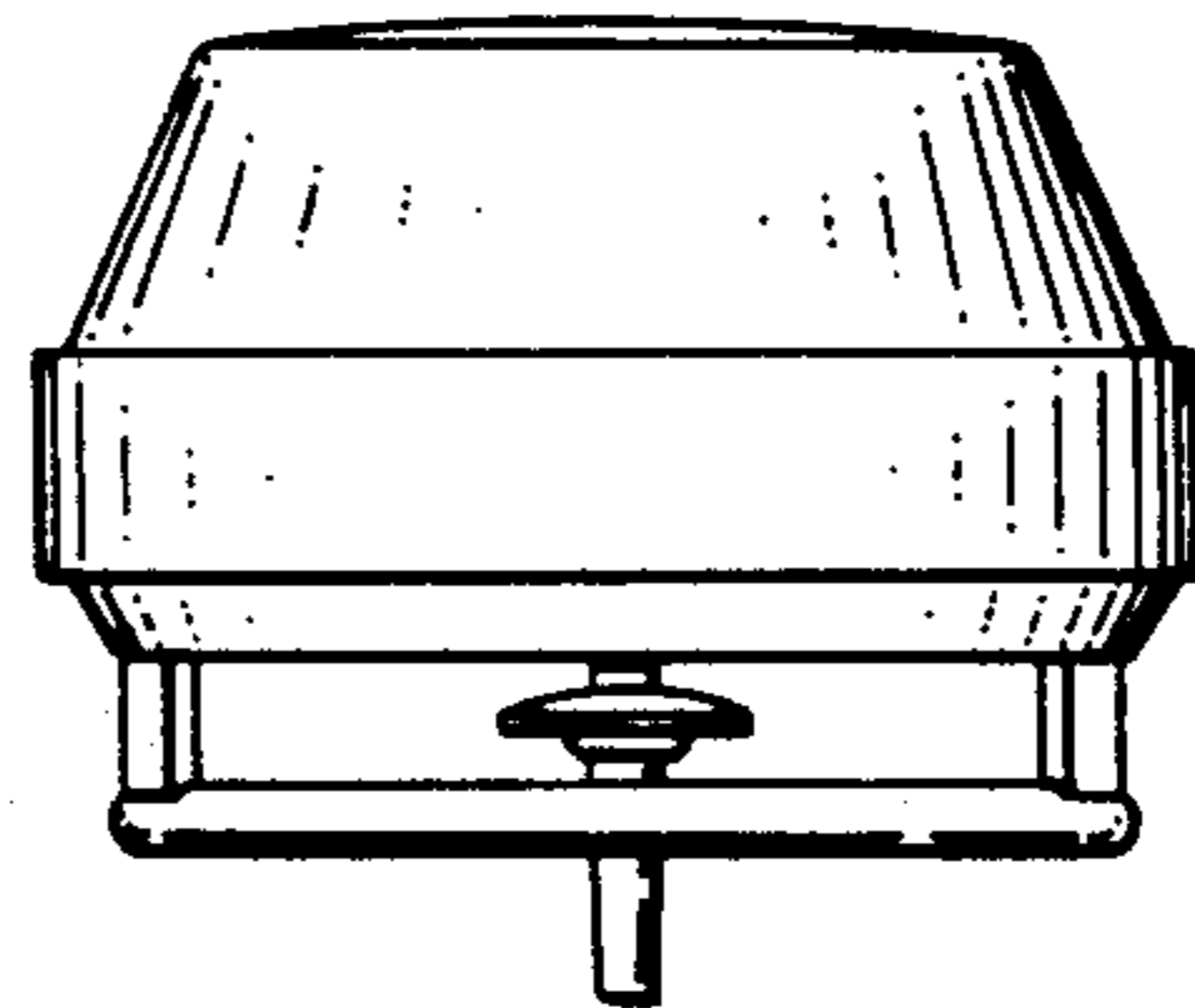


FIG. 6

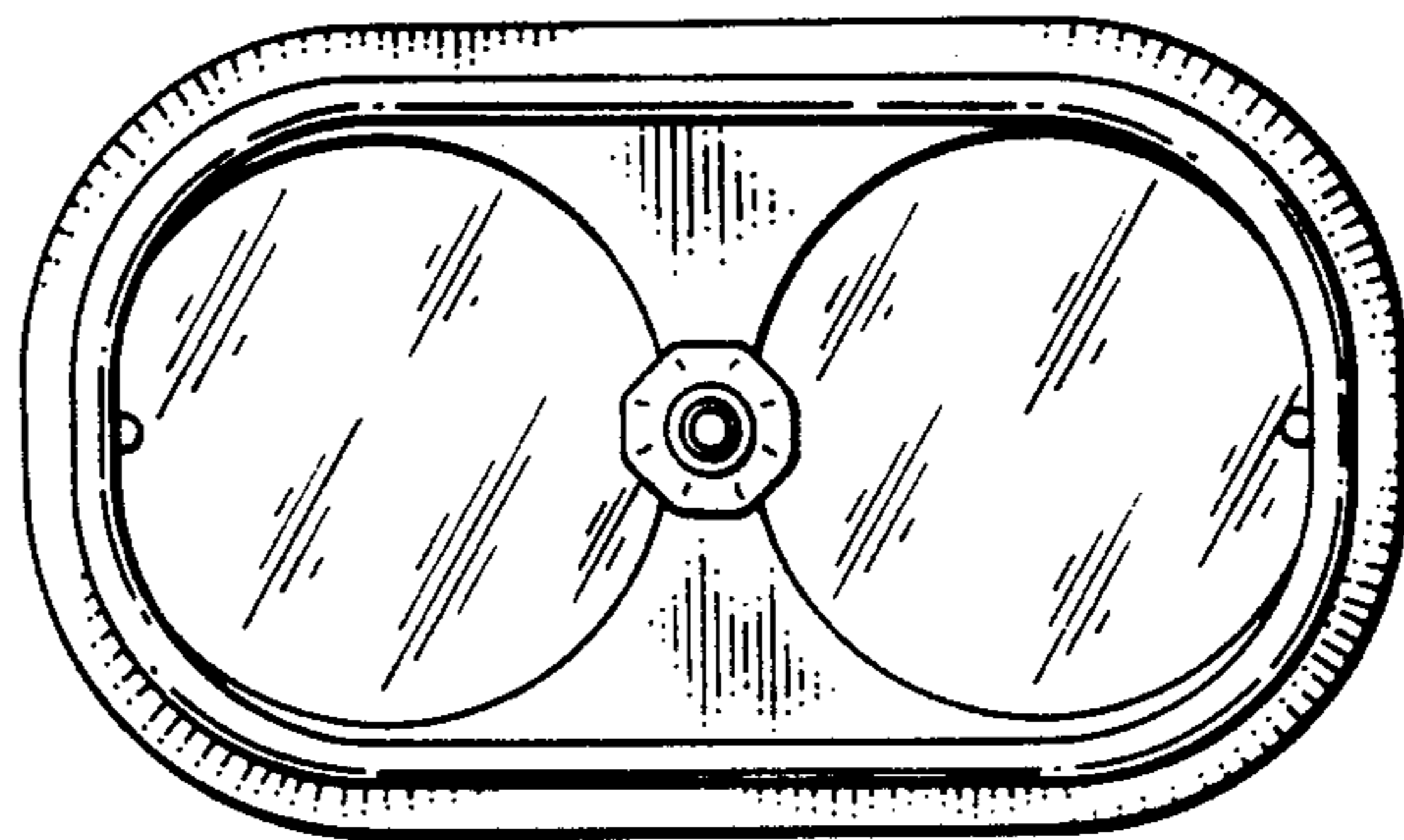


FIG. 7

