

# United States Patent [19]

Hung

[11] Patent Number: **Des. 278,936**

[45] Date of Patent: **\*\* May 21 1985**

[54] **TORCH**

[75] Inventor: **Kung C. Hung, Tsuen Wan, Hong Kong**

[73] Assignee: **Freezinhot Bottle Company Limited, Kowloon, Hong Kong**

[\*\*] Term: **14 Years**

[21] Appl. No.: **404,875**

[22] Filed: **Aug. 3, 1982**

[30] **Foreign Application Priority Data**

Jun. 11, 1982 [GB] United Kingdom ..... 1007211

[52] U.S. Cl. .... **D26/49**

[58] Field of Search ..... D26/37-50;  
362/157, 158, 183-208

[56] **References Cited**

### U.S. PATENT DOCUMENTS

D. 241,971 10/1976 Brindley ..... D26/49  
D. 252,534 7/1979 Lun ..... D26/49  
3,162,376 12/1964 Furuya ..... 362/158

*Primary Examiner*—Susan J. Lucas  
*Attorney, Agent, or Firm*—Oblon, Fisher, Spivak,  
McClelland & Maier

[57] **CLAIM**

The ornamental design for a torch, as shown.

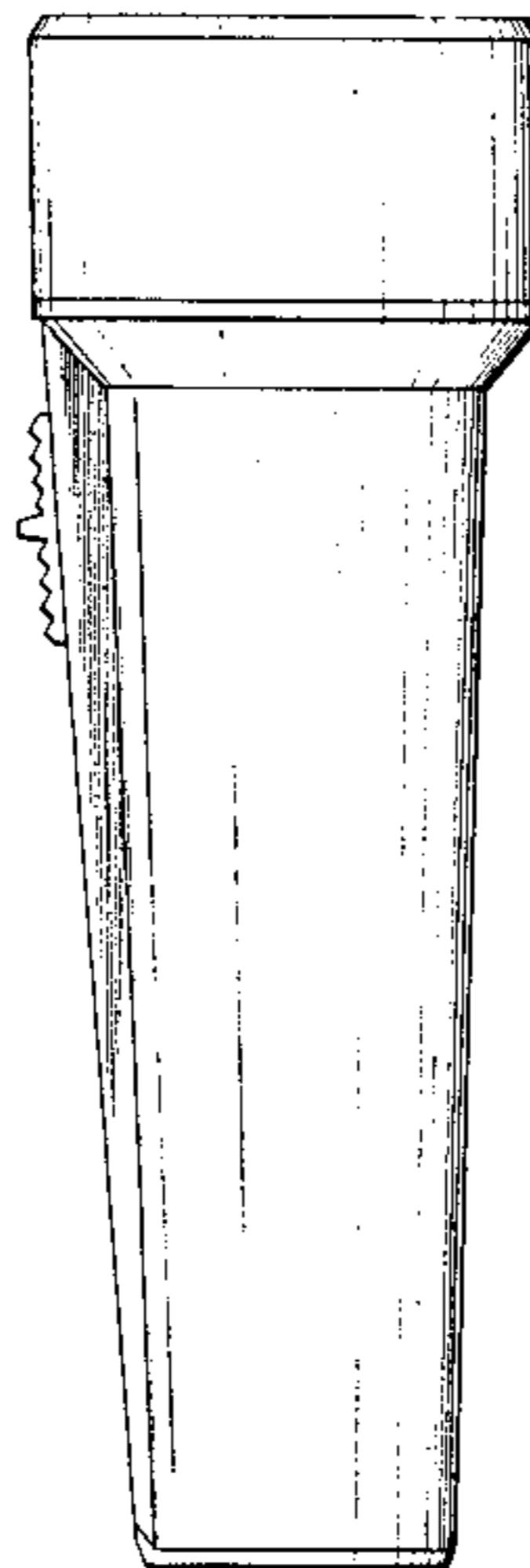
### DESCRIPTION

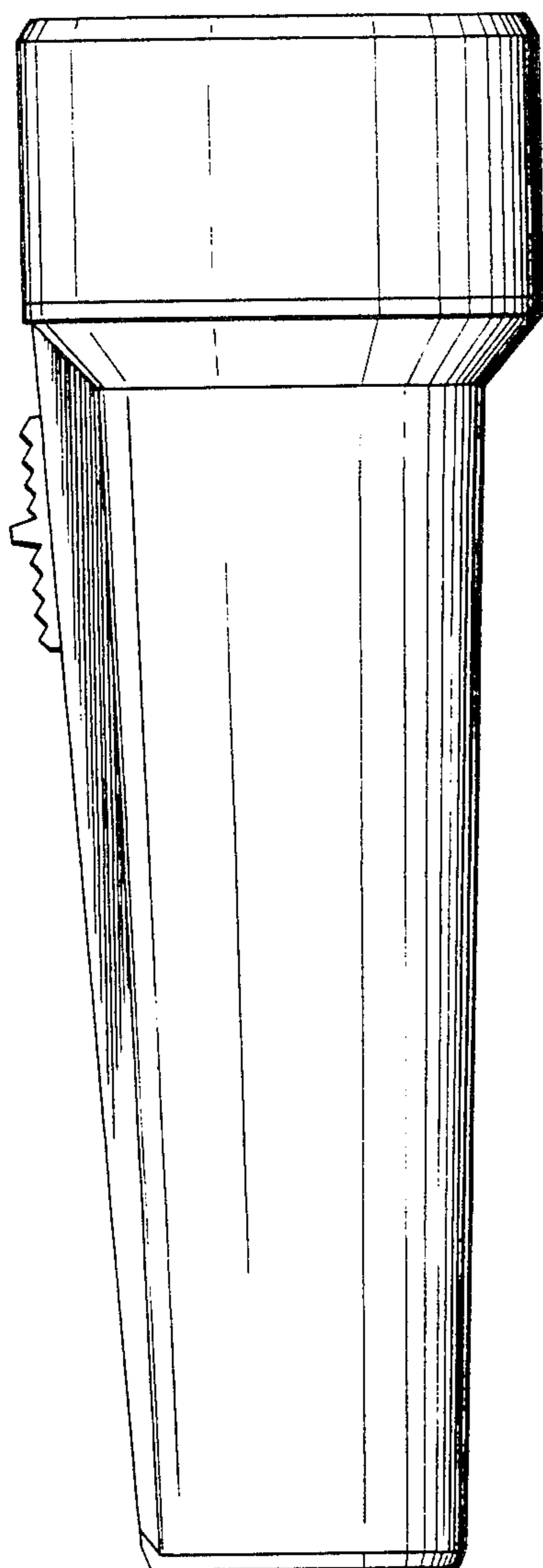
FIG. 1 is a front view of a torch showing my new design;

FIG. 2 is a bottom view thereof;

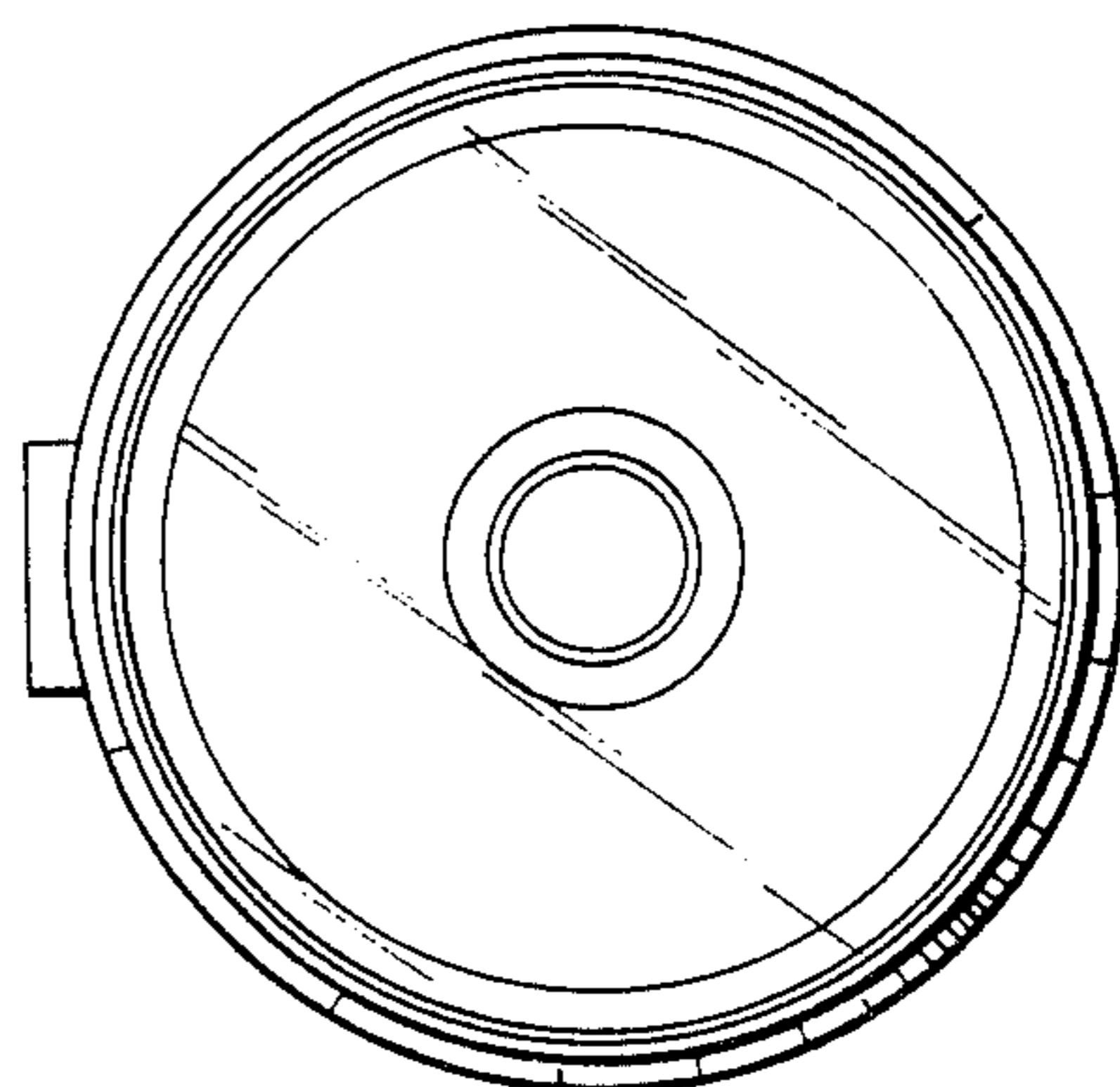
FIG. 3 is a side view thereof;

FIG. 4 is a top view thereof.





*FIG. 1.*



*FIG. 2.*

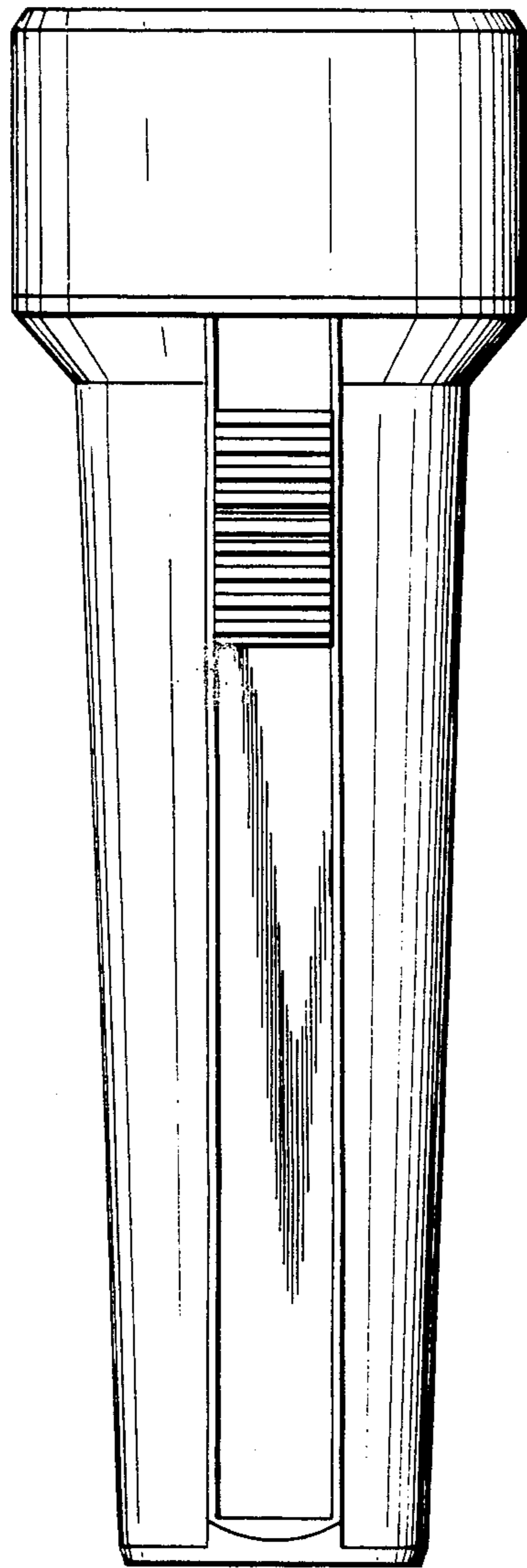


FIG. 3.

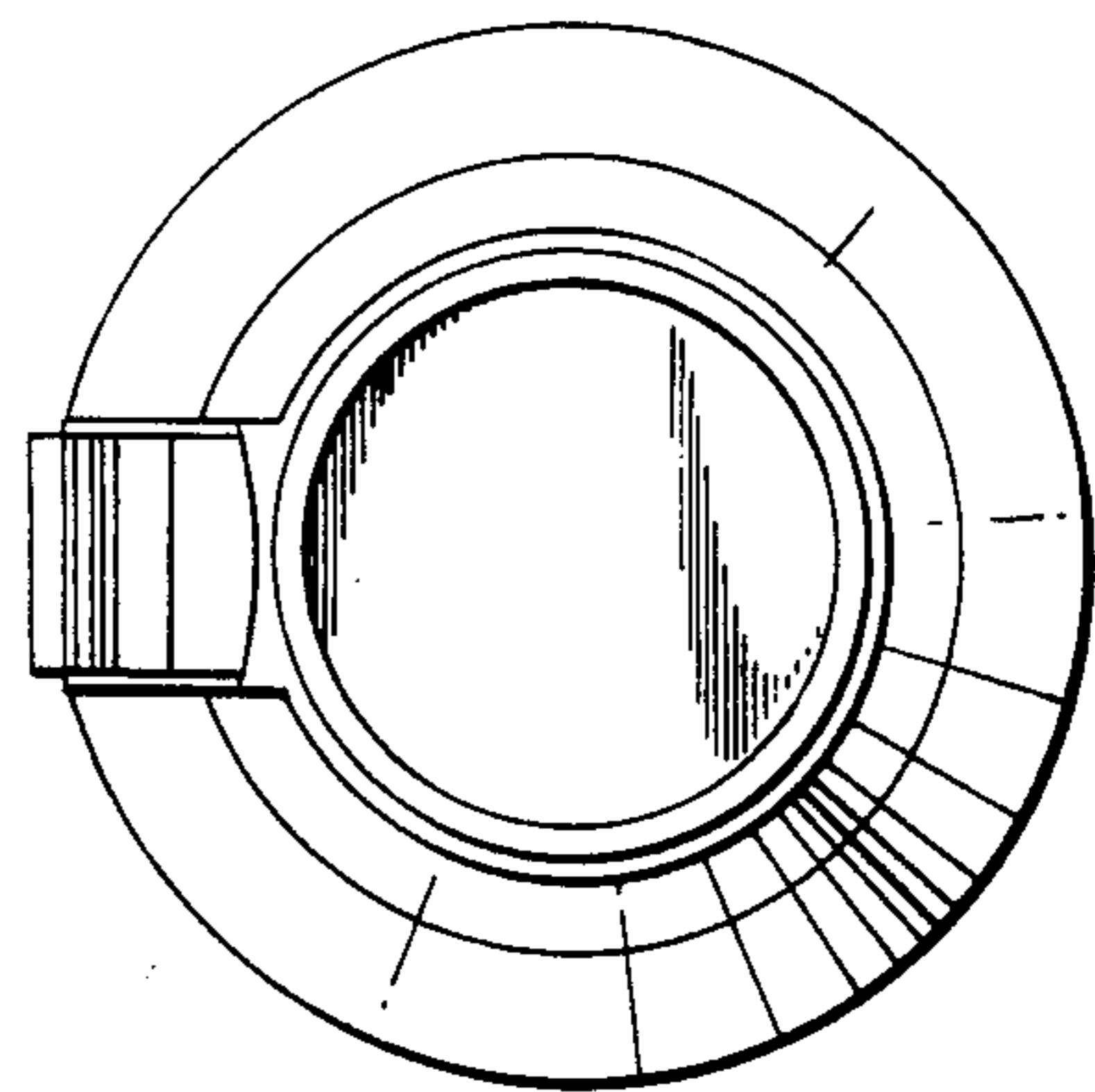


FIG. 4.