

[54] PAVING STONE

[76] Inventor: Rolf Scheiwiller, Beichelacker, CH-3115 Gerzensee, Switzerland

[**] Term: 14 Years

[21] Appl. No.: 331,783

[22] Filed: Dec. 17, 1981

[30] Foreign Application Priority Data

Jul. 7, 1981 [CH] Switzerland 111874

[52] U.S. Cl. D25/86

[58] Field of Search D25/80-97; 404/41, 46, 45, 44, 34, 29, 30, 39; 52/314

[56] References Cited

U.S. PATENT DOCUMENTS

2,002,311 5/1935 Corwin 52/314 X
2,577,215 12/1951 Smith et al. 52/314 X
2,629,135 2/1953 Johnson 52/316 X

FOREIGN PATENT DOCUMENTS

2277936 2/1976 France 404/41

OTHER PUBLICATIONS

Pictorial, Concrete Masonry/Paving Block Publication, ©1980, p. 7, bottom right.

Primary Examiner—A. Hugo Word
Attorney, Agent, or Firm—Wender, Murase & White

[57] CLAIM

The ornamental design for a paving stone, as shown and described.

DESCRIPTION

FIG. 1 is a perspective view of a first embodiment of my new design;
FIG. 2 is a top plan view of the first embodiment of my new design;
FIG. 3 is a bottom plan view of the first embodiment of my new design;
FIG. 4 is a perspective view of a second embodiment of my new design;
FIG. 5 is a top plan view of the second embodiment of my new design;
FIG. 6 is a bottom plan view of the second embodiment of my new design;
FIG. 7 is a perspective view of a third embodiment of my new design;
FIG. 8 is a top plan view of the third embodiment of my new design;
FIG. 9 is a bottom plan view of the third embodiment of my new design;
FIG. 10 is a perspective view of a fourth embodiment of my new design;
FIG. 11 is a top plan view of the fourth embodiment of my new design;
FIG. 12 is a bottom plan view of the fourth embodiment of my new design;
FIG. 13 is a perspective view of a fifth embodiment of my new design;
FIG. 14 is a top plan view of the fifth embodiment of my new design; and
FIG. 15 is a bottom plan view of the fifth embodiment of my new design.

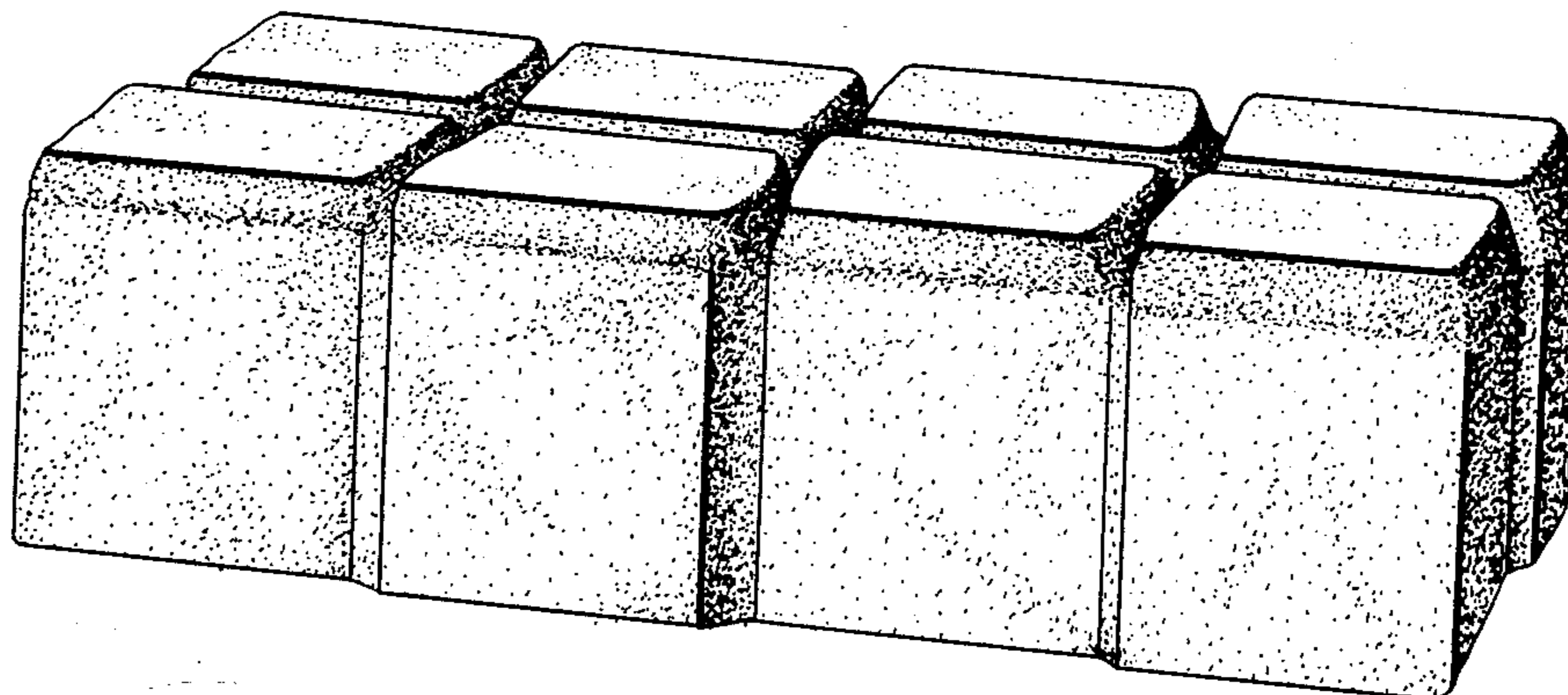


FIG. 1

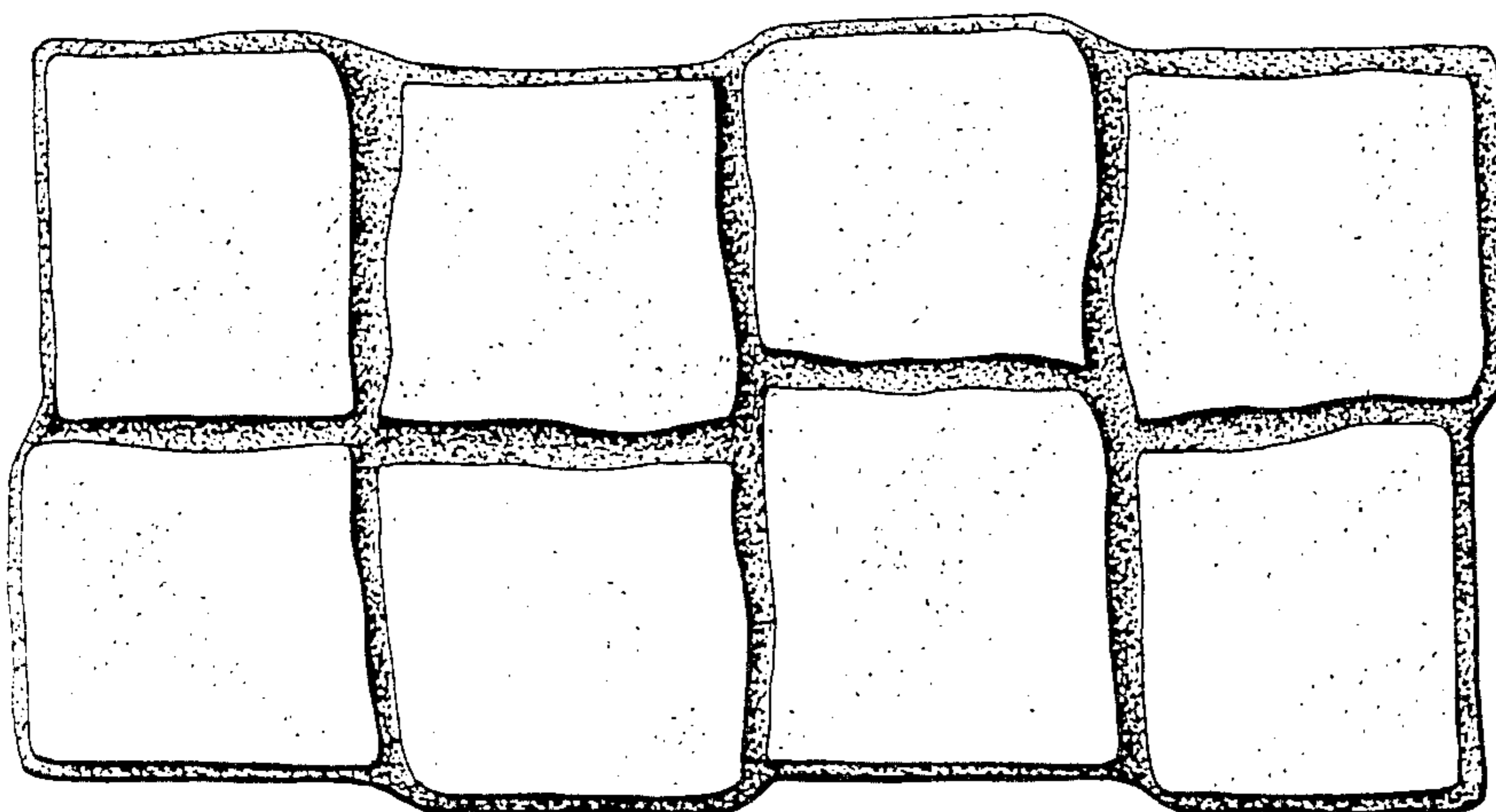
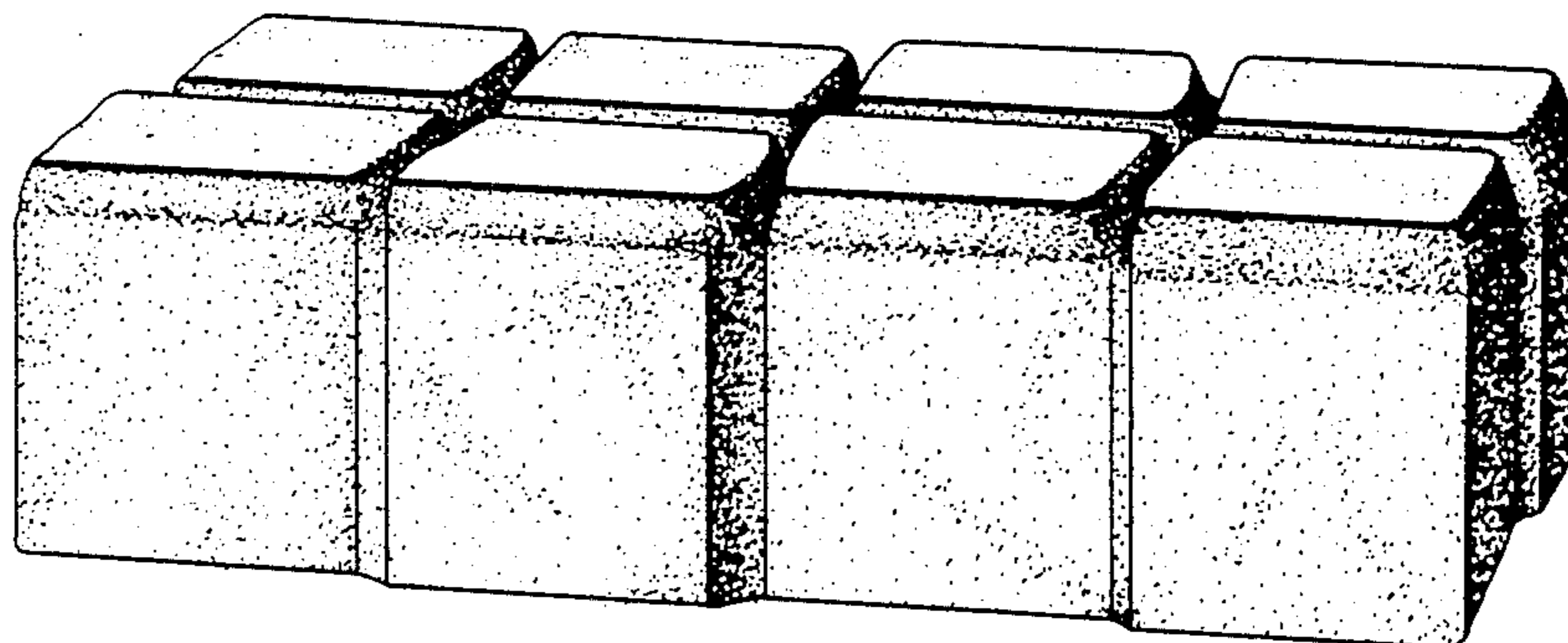


FIG. 2

FIG. 3



FIG. 4

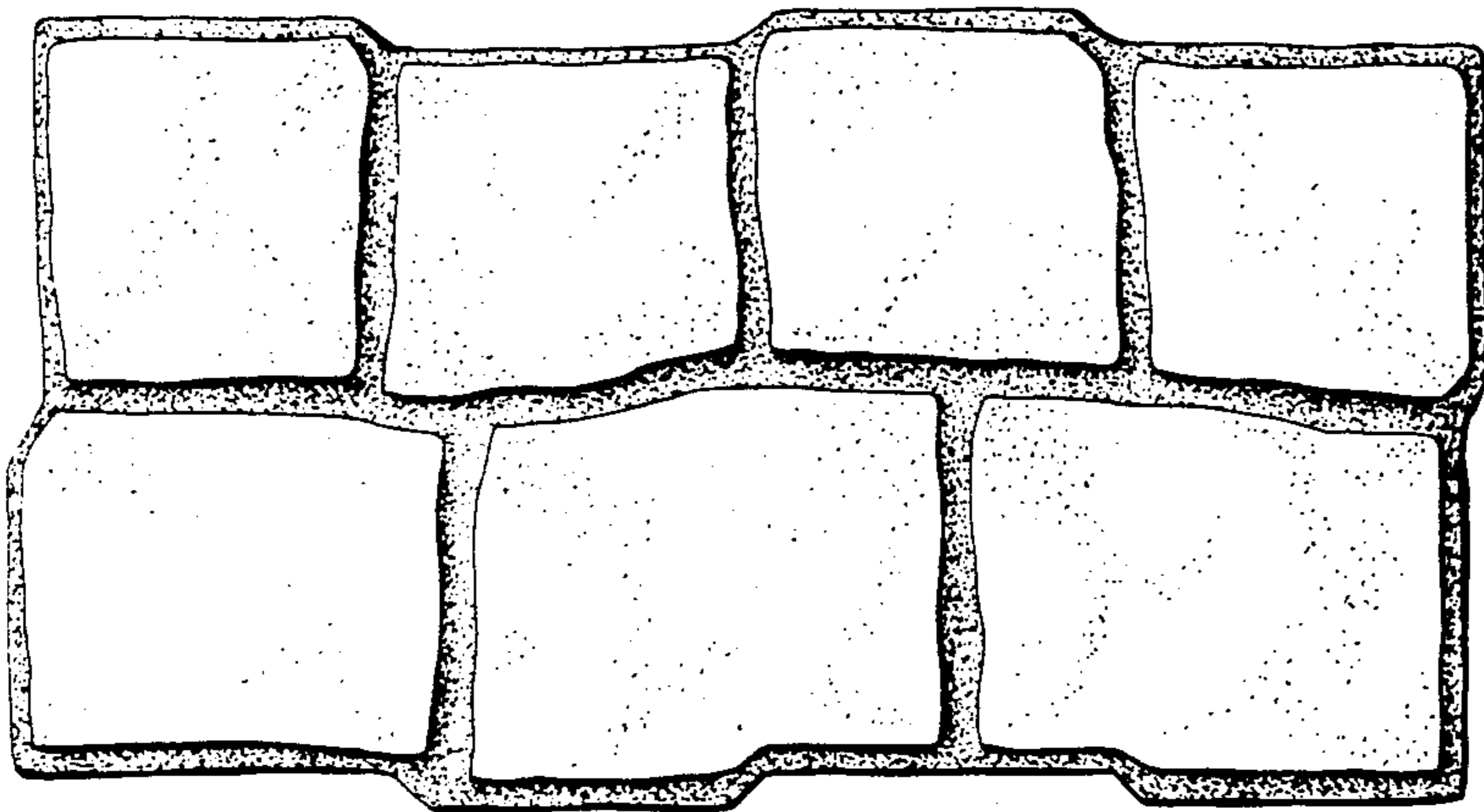
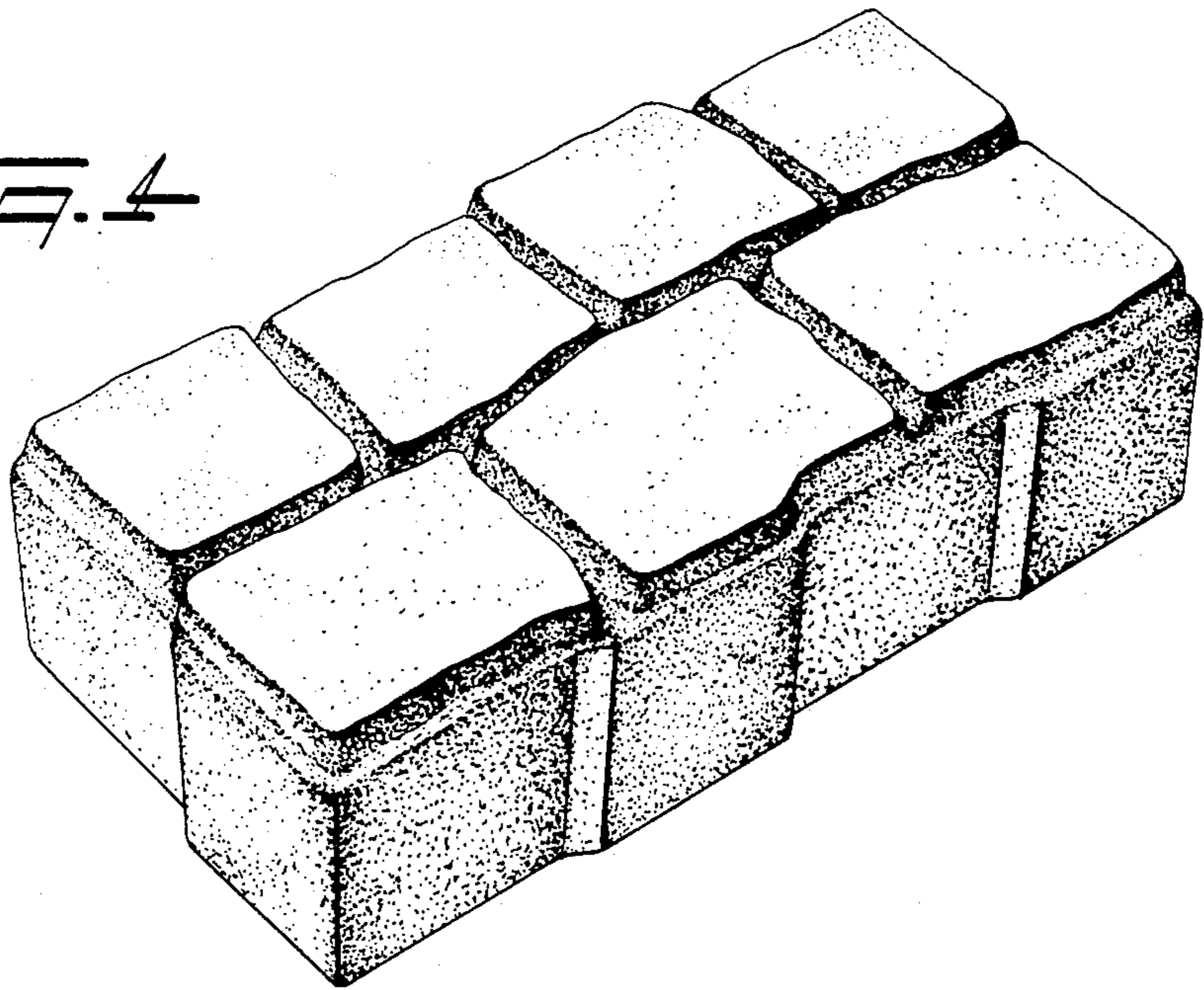


FIG. 5

FIG. 6



FIG. 1

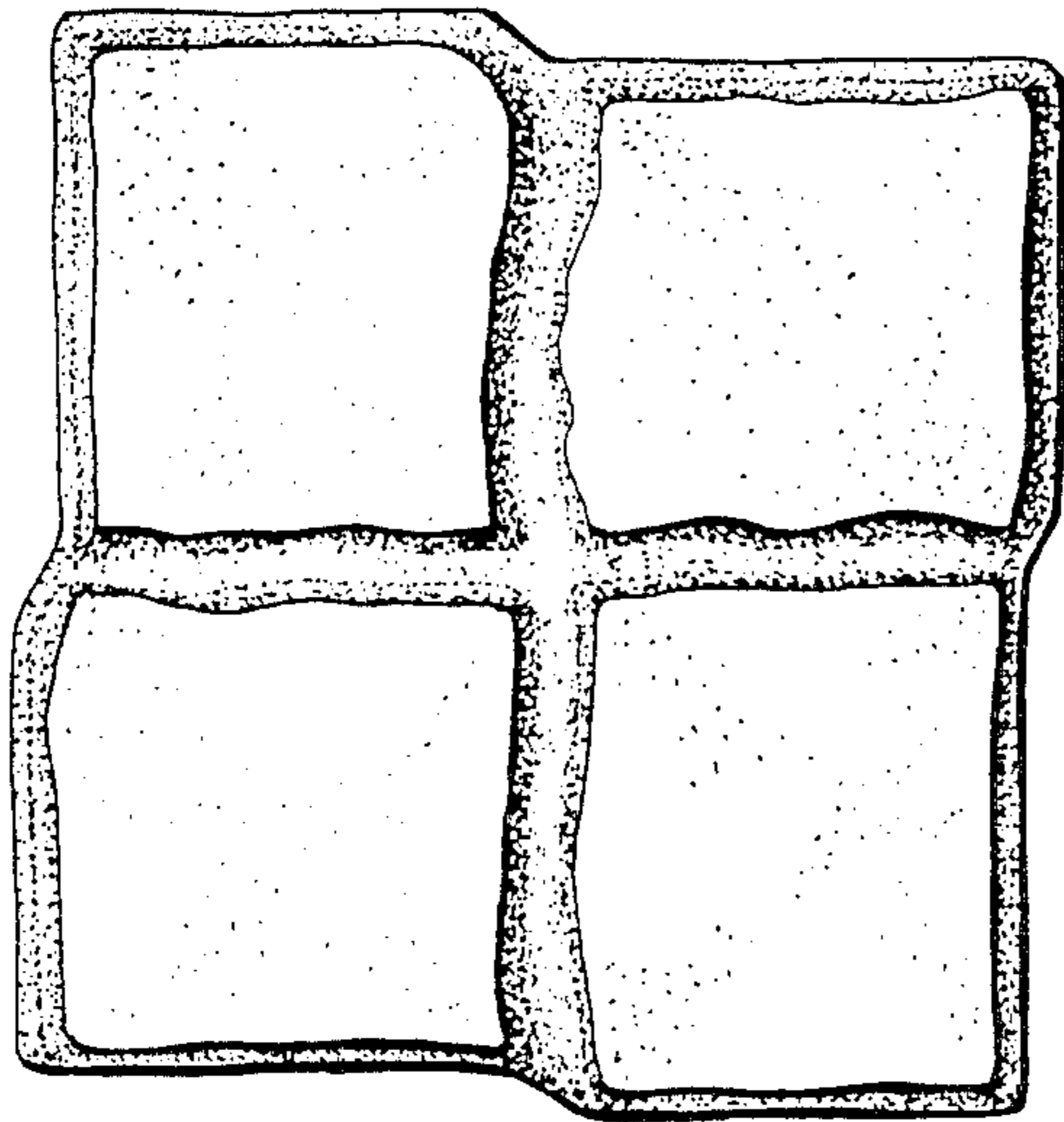
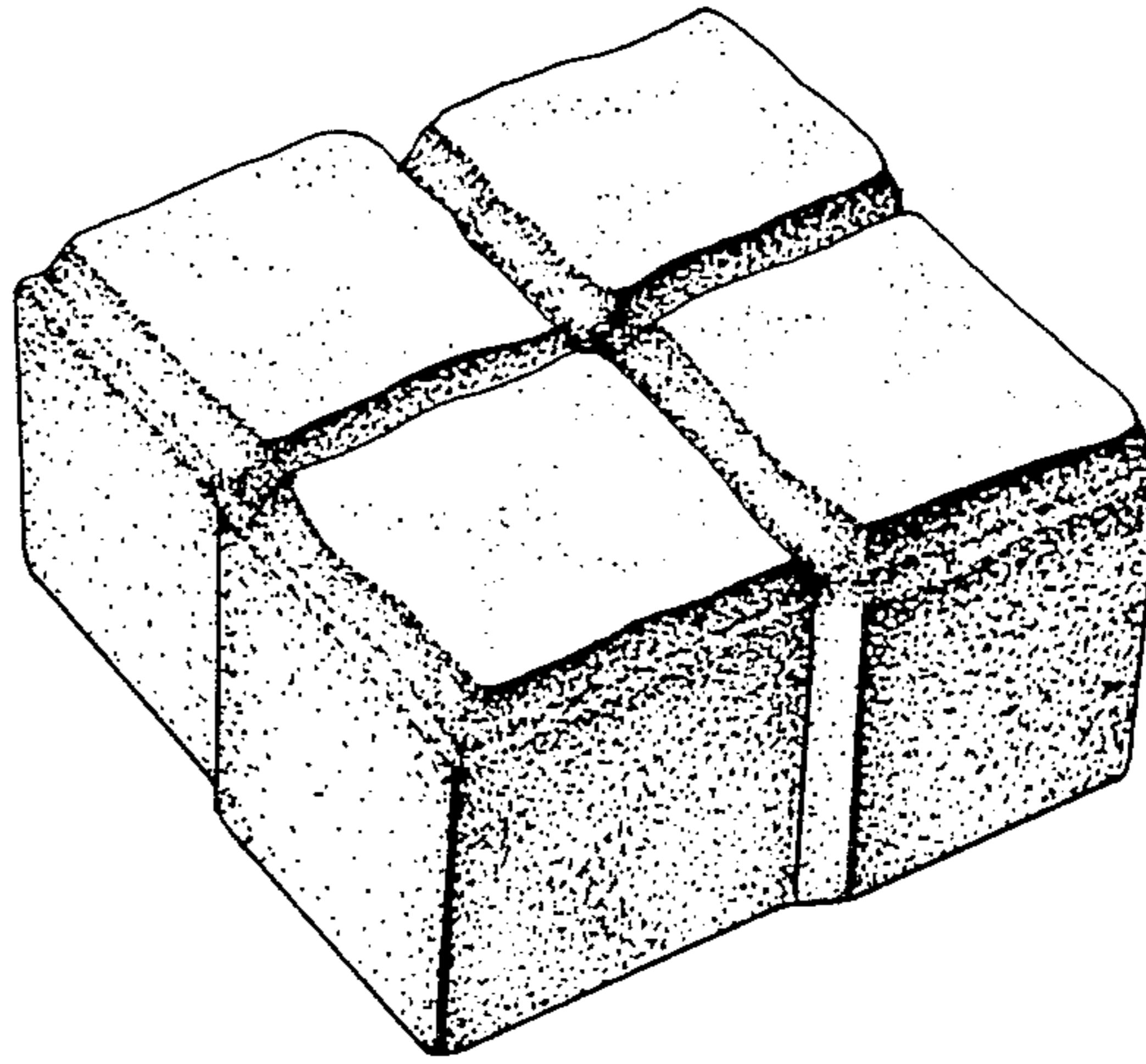


FIG. 2

FIG. 3

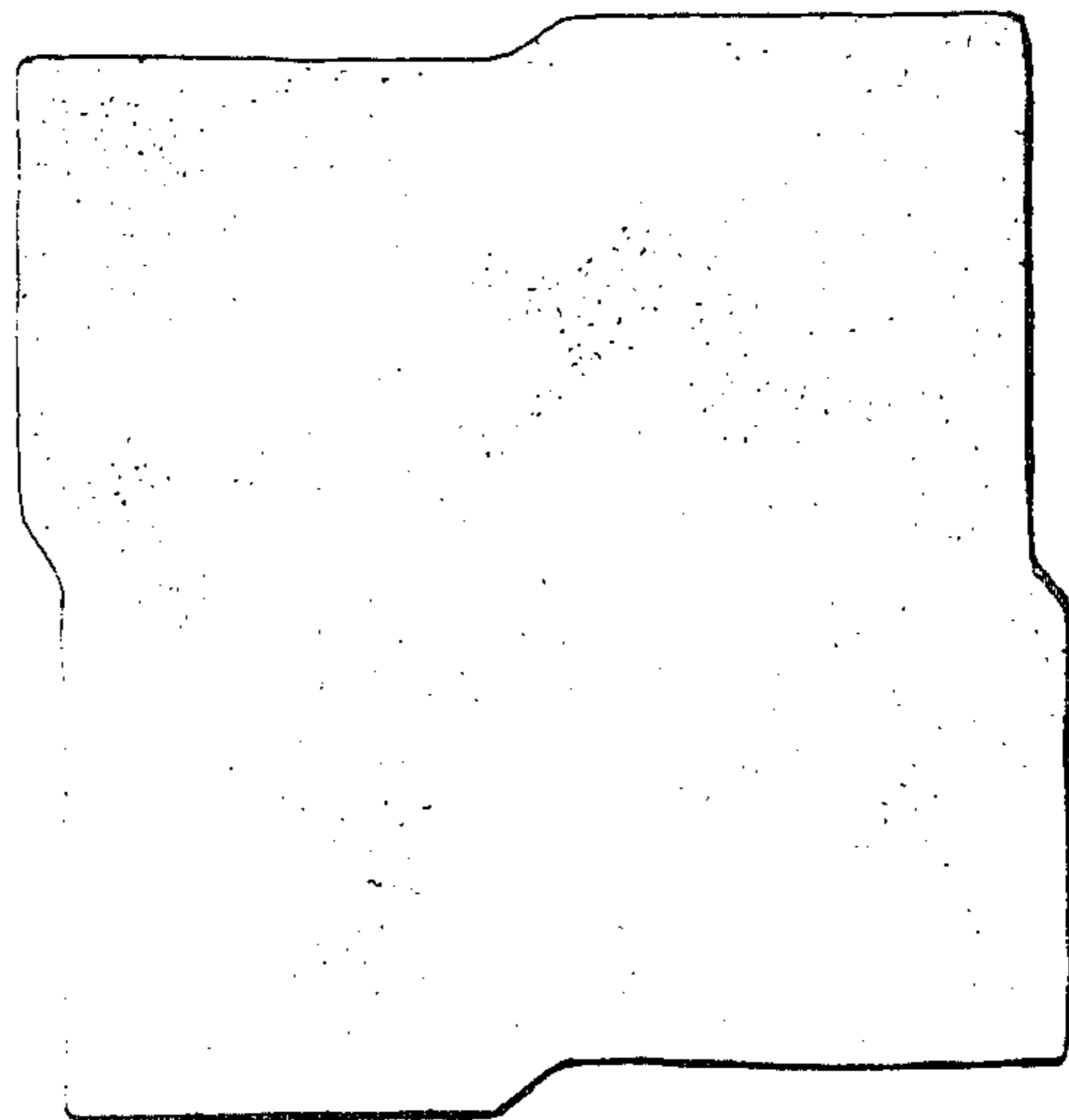


FIG. 11

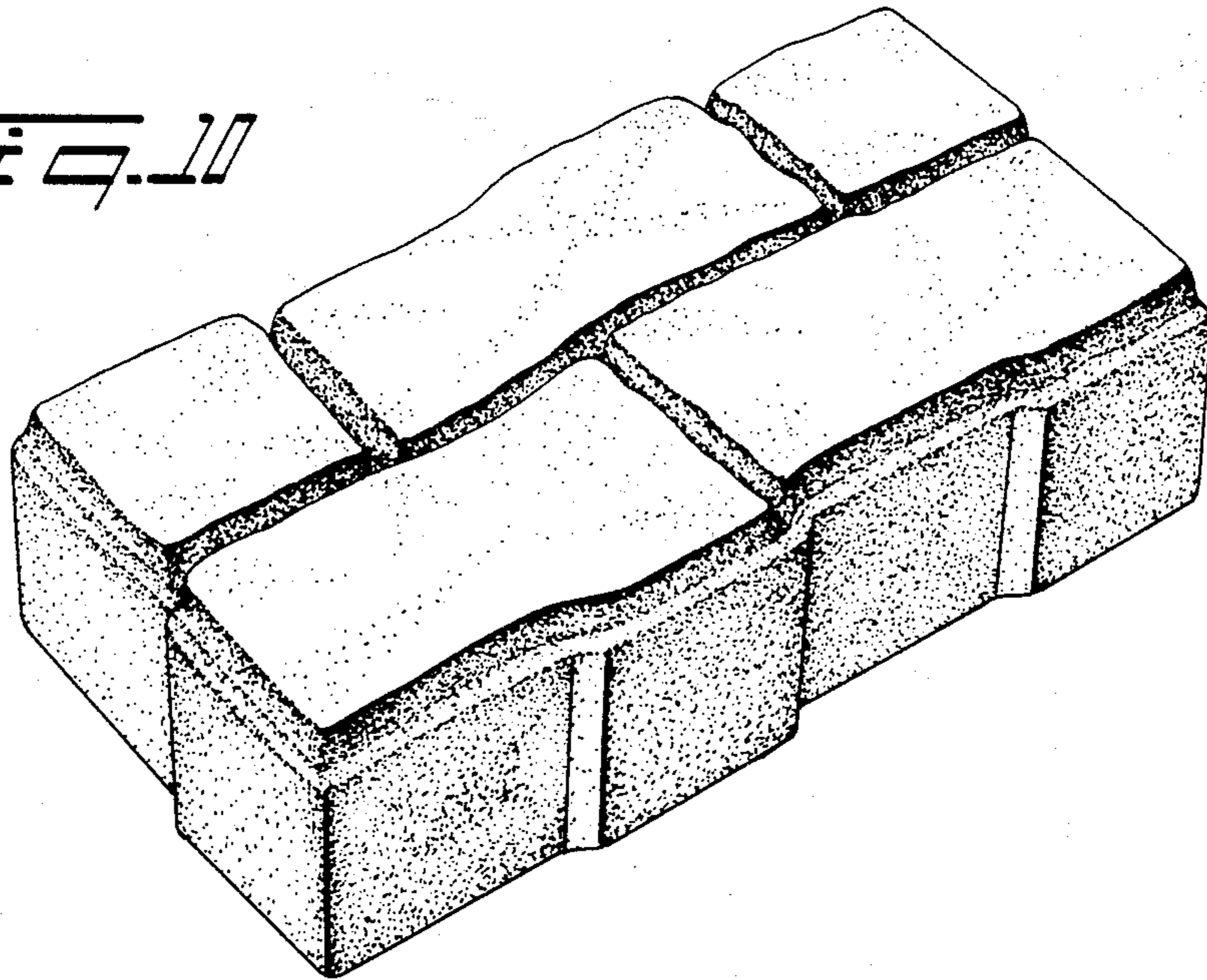


FIG. 12

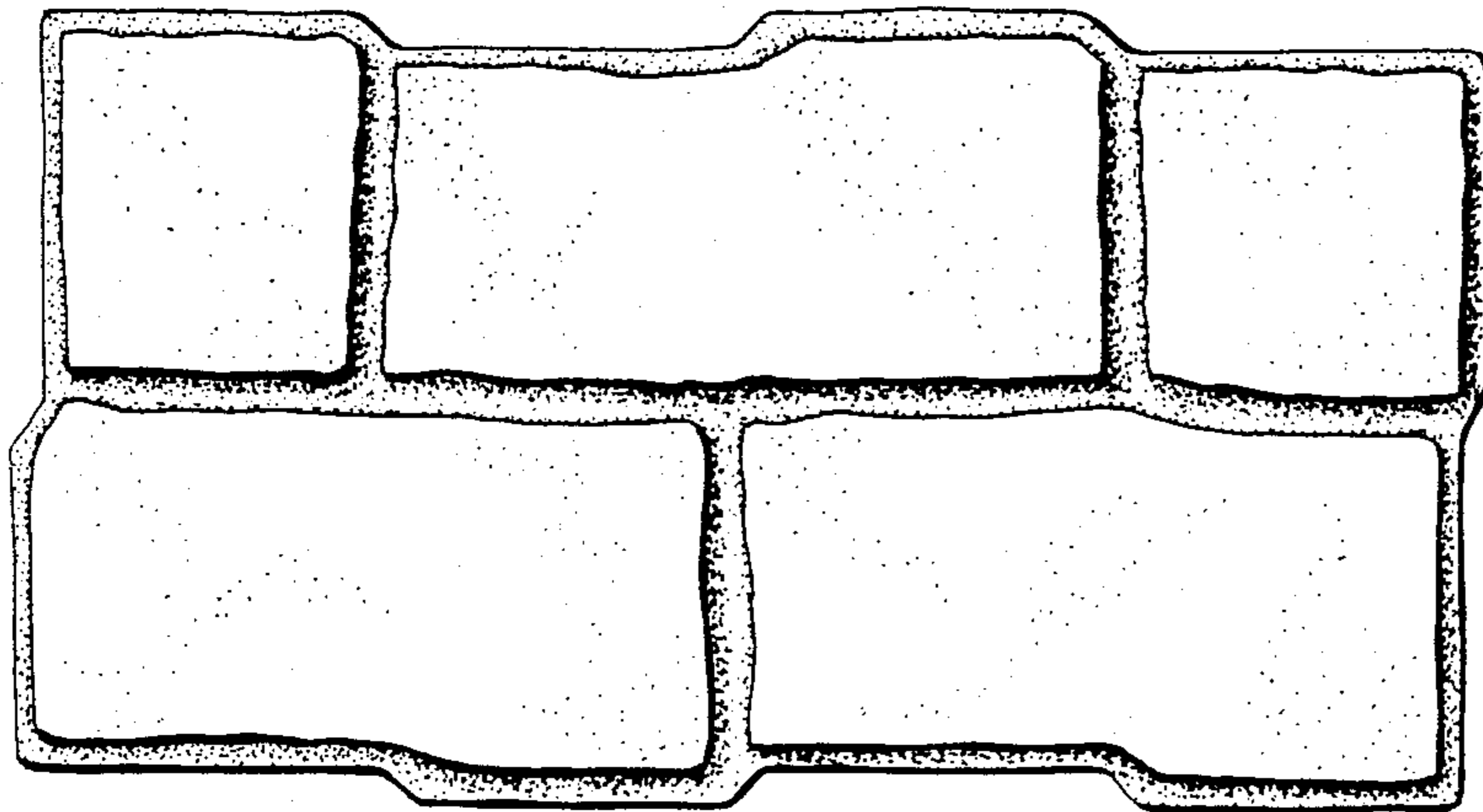


FIG. 13



FIG. 13

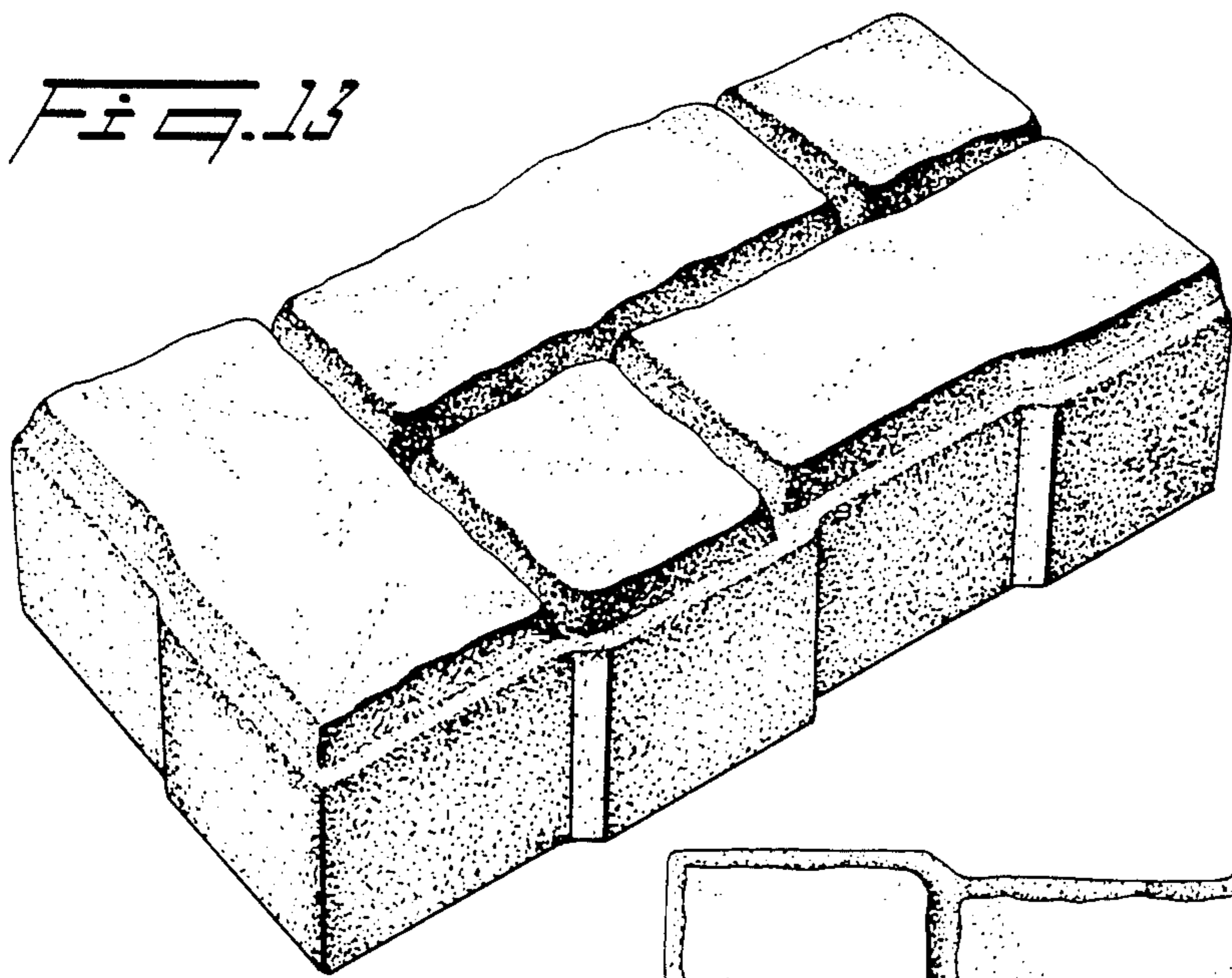


FIG. 14

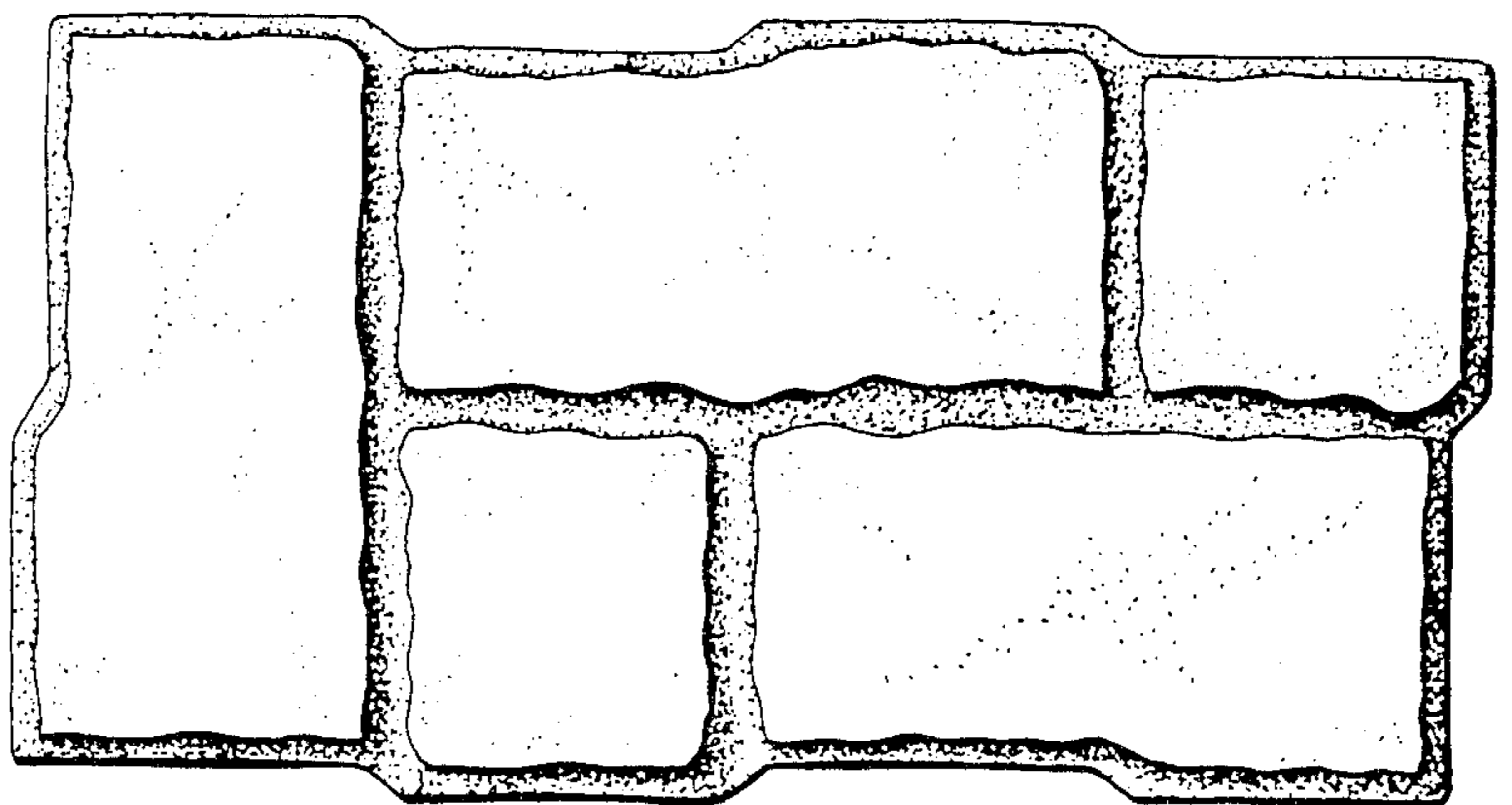


FIG. 15