

[54] PREFABRICATED SWIMMING POOL

[75] Inventor: George P. Sullivan, Seattle, Wash.

[73] Assignee: San Juan Products, Inc., Hemet, Calif.

[**] Term: 14 Years

[21] Appl. No.: 552,856

[22] Filed: Nov. 17, 1983

Related U.S. Application Data

[63] Continuation-in-part of Ser. No. 266,841, May 26, 1981, abandoned.

[52] U.S. Cl. D25/2

[58] Field of Search 4/488, 506, 513; D25/2

[56] References Cited

U.S. PATENT DOCUMENTS

D. 192,413	3/1962	Kopecky	D25/2
3,086,220	4/1963	Zars	D25/2 X
3,720,964	3/1973	Thomson	4/506 X
3,735,427	5/1973	Ancewicz et al.	4/506 X

Primary Examiner—A. Hugo Word
Attorney, Agent, or Firm—Hubbard & Stetina

[57] CLAIM

The ornamental design for a prefabricated swimming pool, as shown.

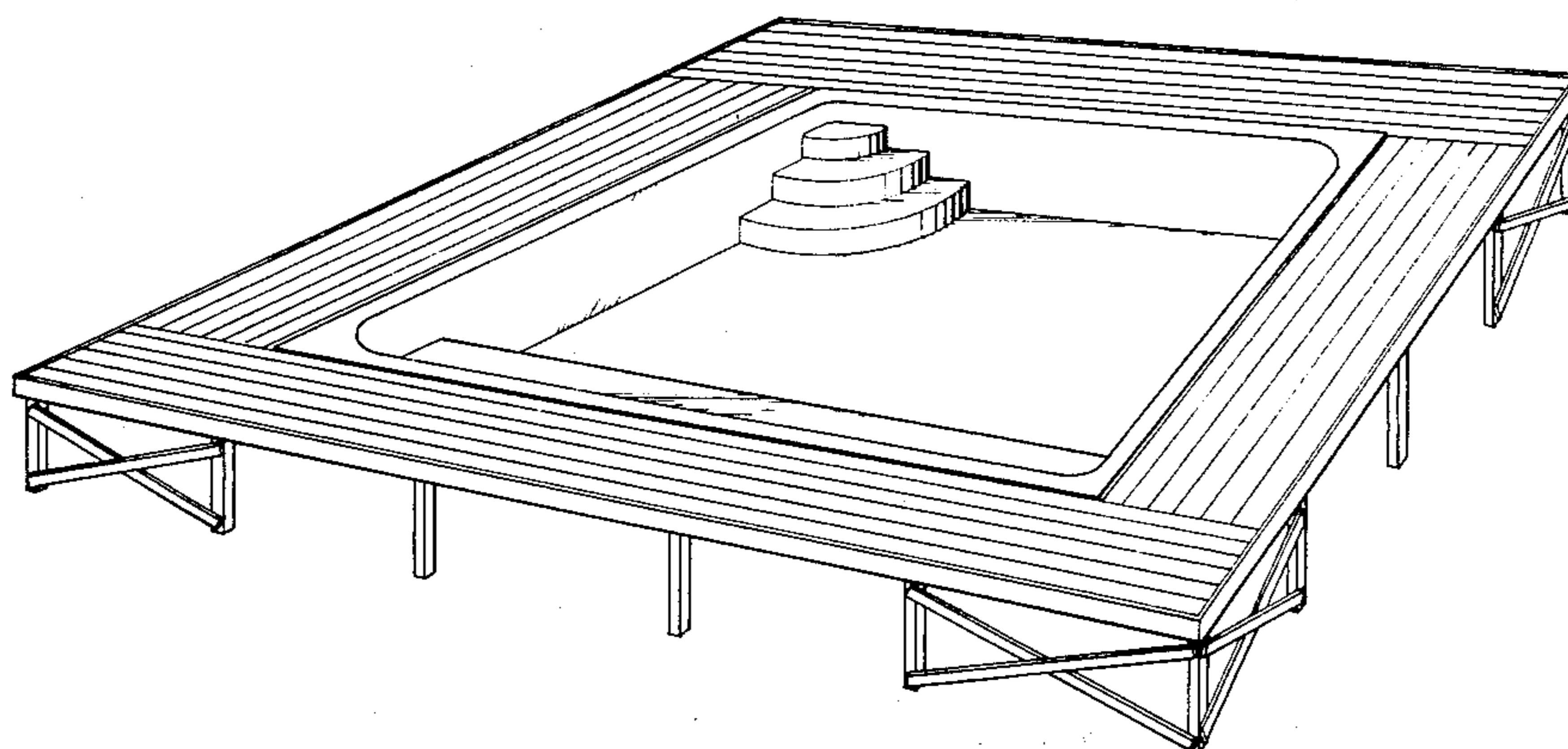
DESCRIPTION

FIG. 1 is a perspective view of a prefabricated swimming pool showing my new design.

FIG. 2 is a top plan view of the prefabricated swimming pool shown in FIG. 1.

FIG. 3 is a front elevational view of the prefabricated swimming pool shown in FIG. 1.

FIG. 4 is a side elevational view of the prefabricated swimming pool shown in FIG. 1.



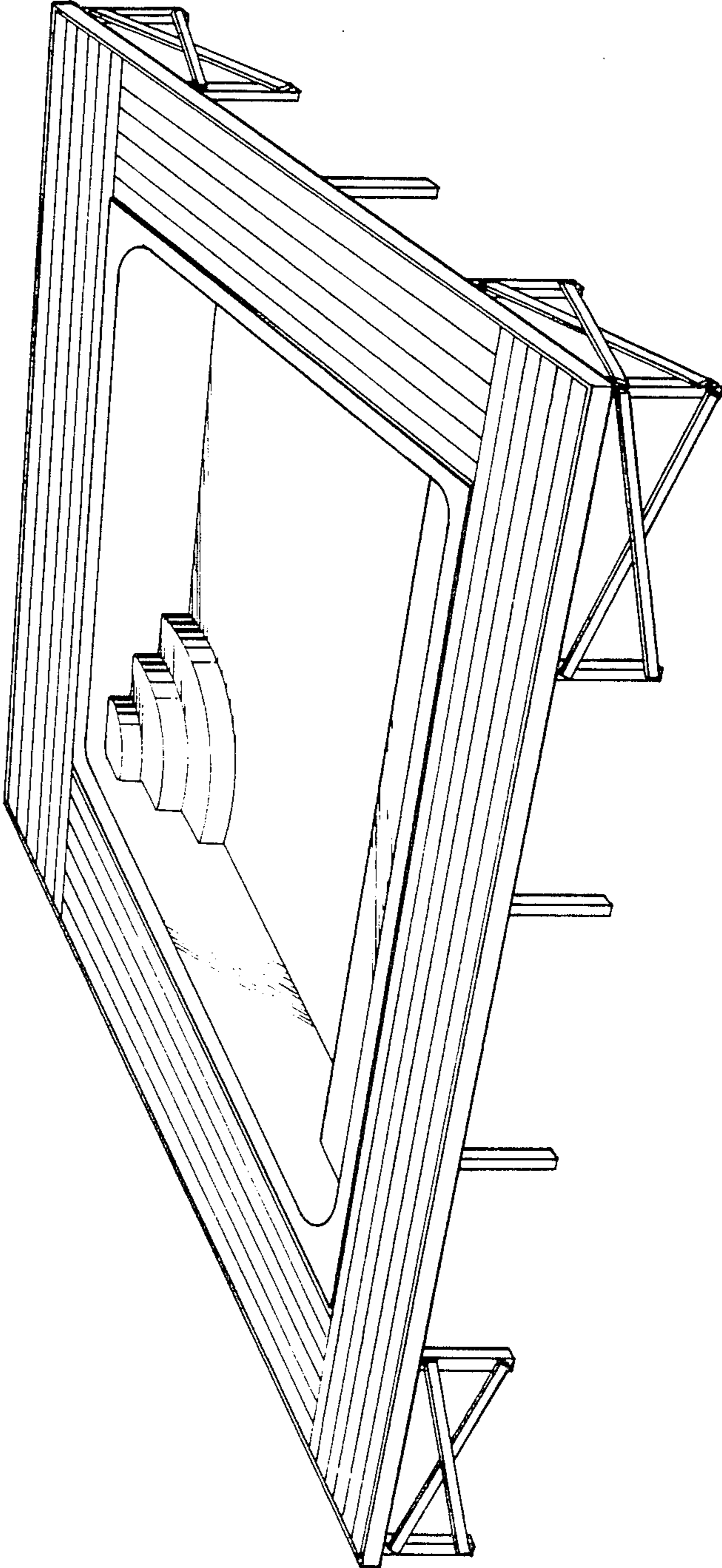


Fig. 1

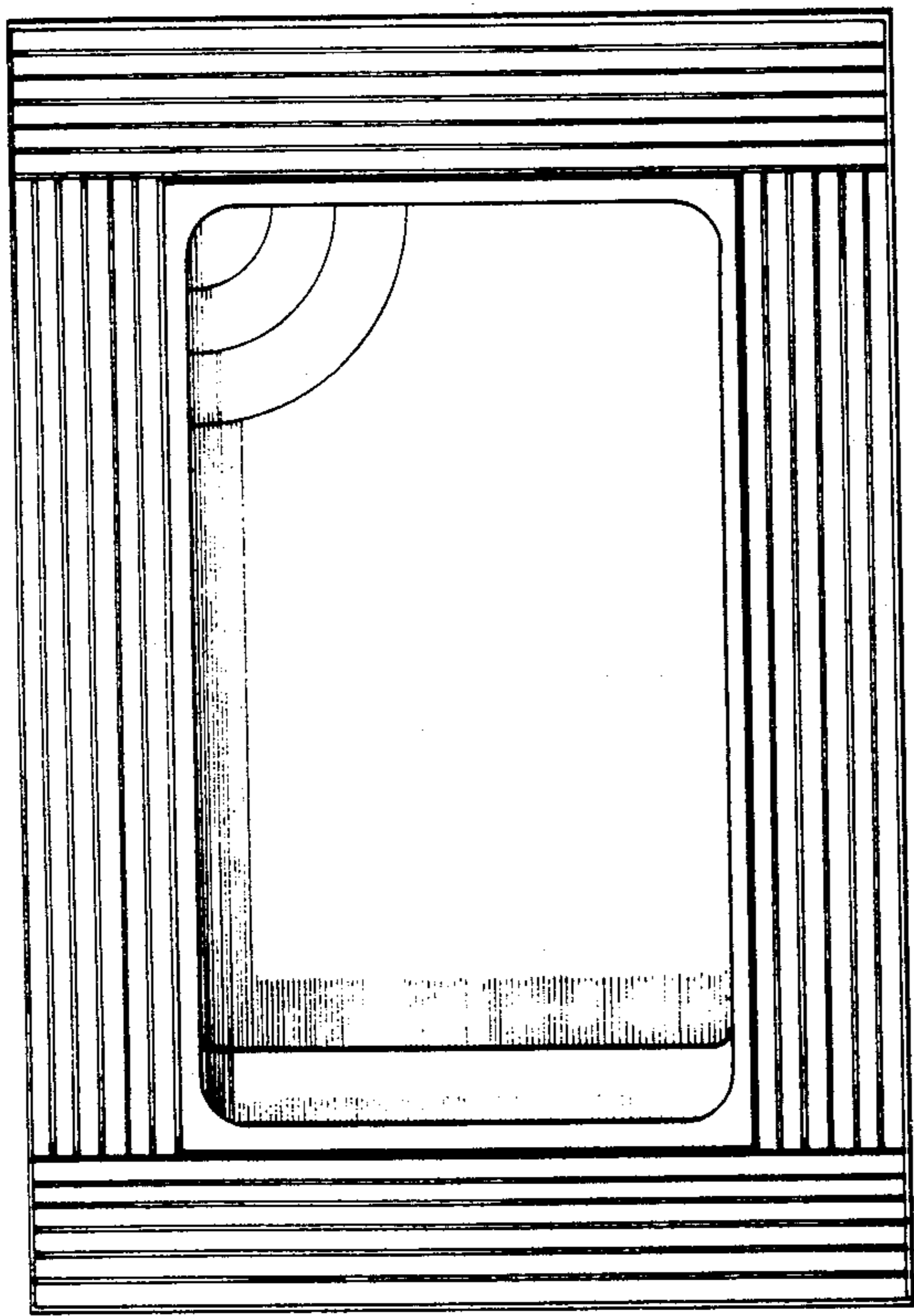


Fig. 2

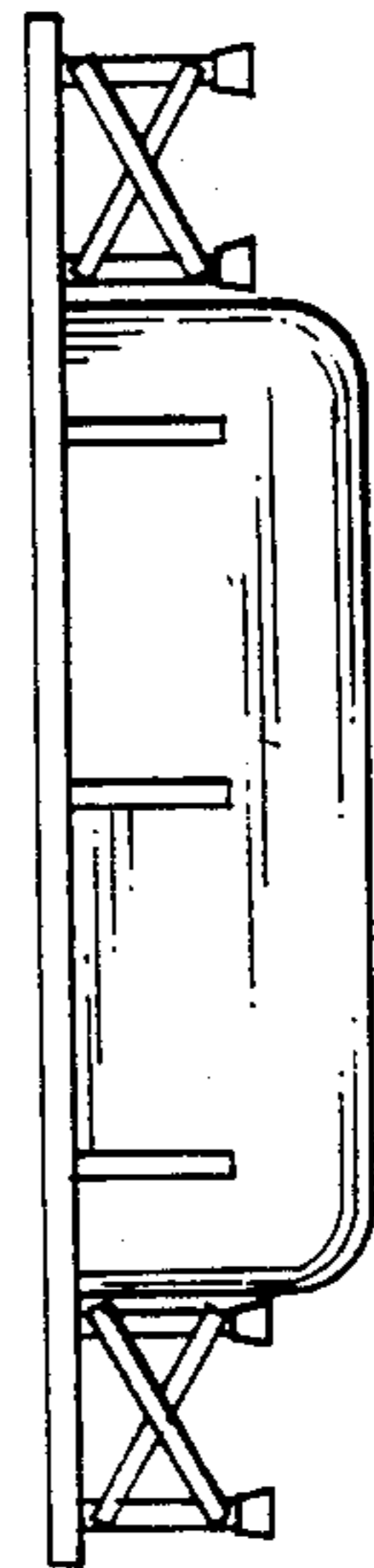


Fig. 4

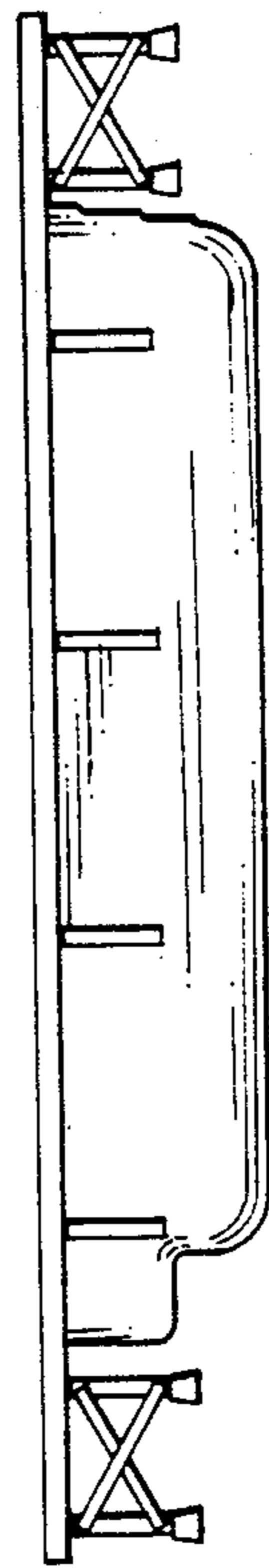


Fig. 3