

[54] PETRI TRAY

[76] Inventors: **Lars P. Larsson**, Vastra Palmgrensgatan 91, S-421 77 Vastra Frolunda; **Bror J.-E. Brorsson**, Safjallsgatan 24, S-431 39 Molndal, both of Sweden

[**] Term: **14 Years**

[21] Appl. No.: **411,290**

[22] Filed: **Aug. 25, 1982**

[30] Foreign Application Priority Data

Feb. 26, 1982 [SE] Sweden 82-0457

[52] U.S. Cl. **D24/31**

[58] Field of Search D24/31; D7/23, 20; 206/557, 565, 509; 435/297, 310

[56] References Cited

U.S. PATENT DOCUMENTS

3,097,070 7/1963 Aldrich et al. 435/297
3,198,713 8/1965 McCormick 206/509

FOREIGN PATENT DOCUMENTS

987850 3/1965 United Kingdom 206/509

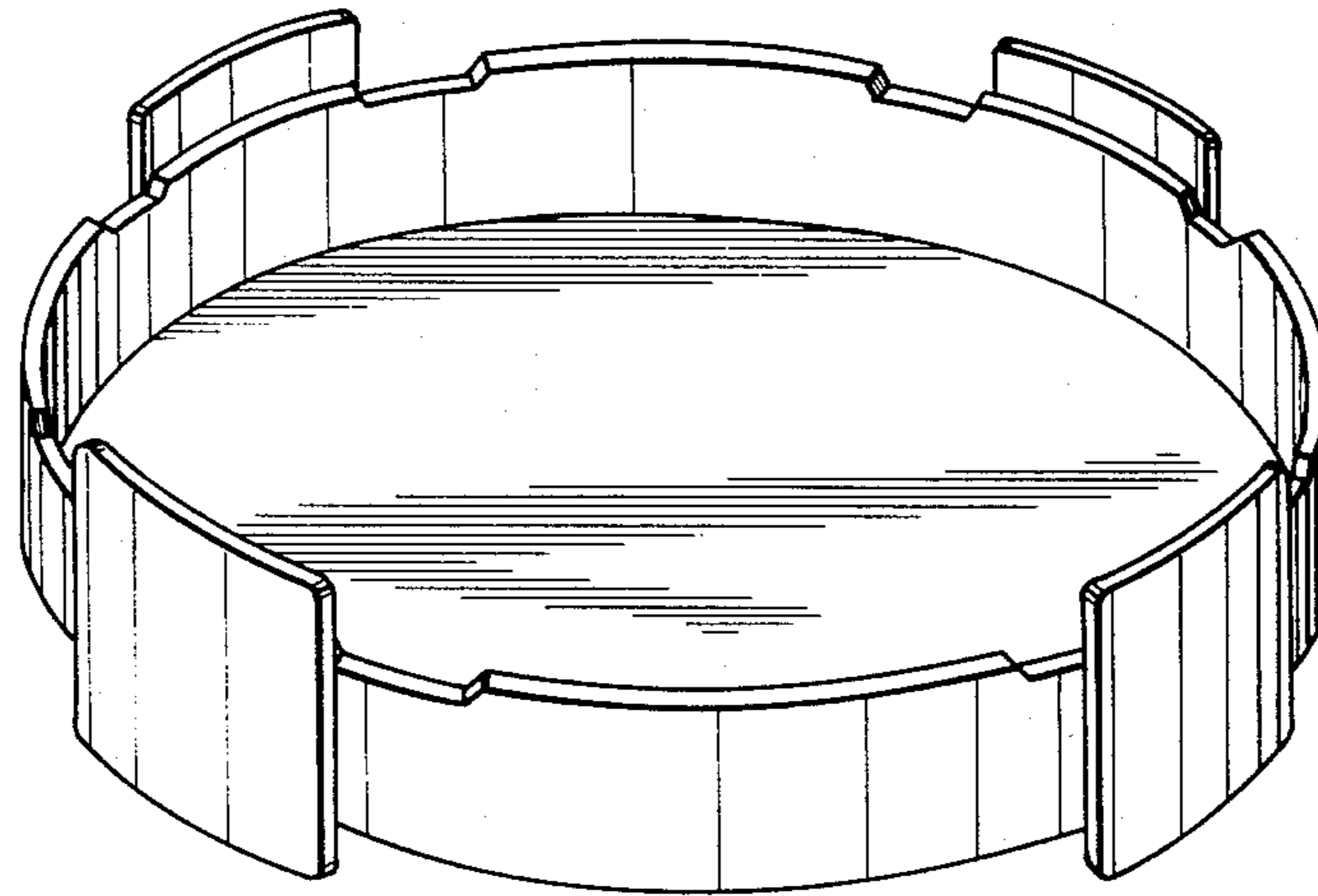
Primary Examiner—James M. Gandy
Attorney, Agent, or Firm—Balogh, Osann, Kramer, Dvorak, Genova & Traub

[57] CLAIM

The ornamental design for a petri tray, as shown.

DESCRIPTION

FIG. 1 is a top perspective view of a petri tray showing our new design; and
FIG. 2 is a bottom perspective view thereof.



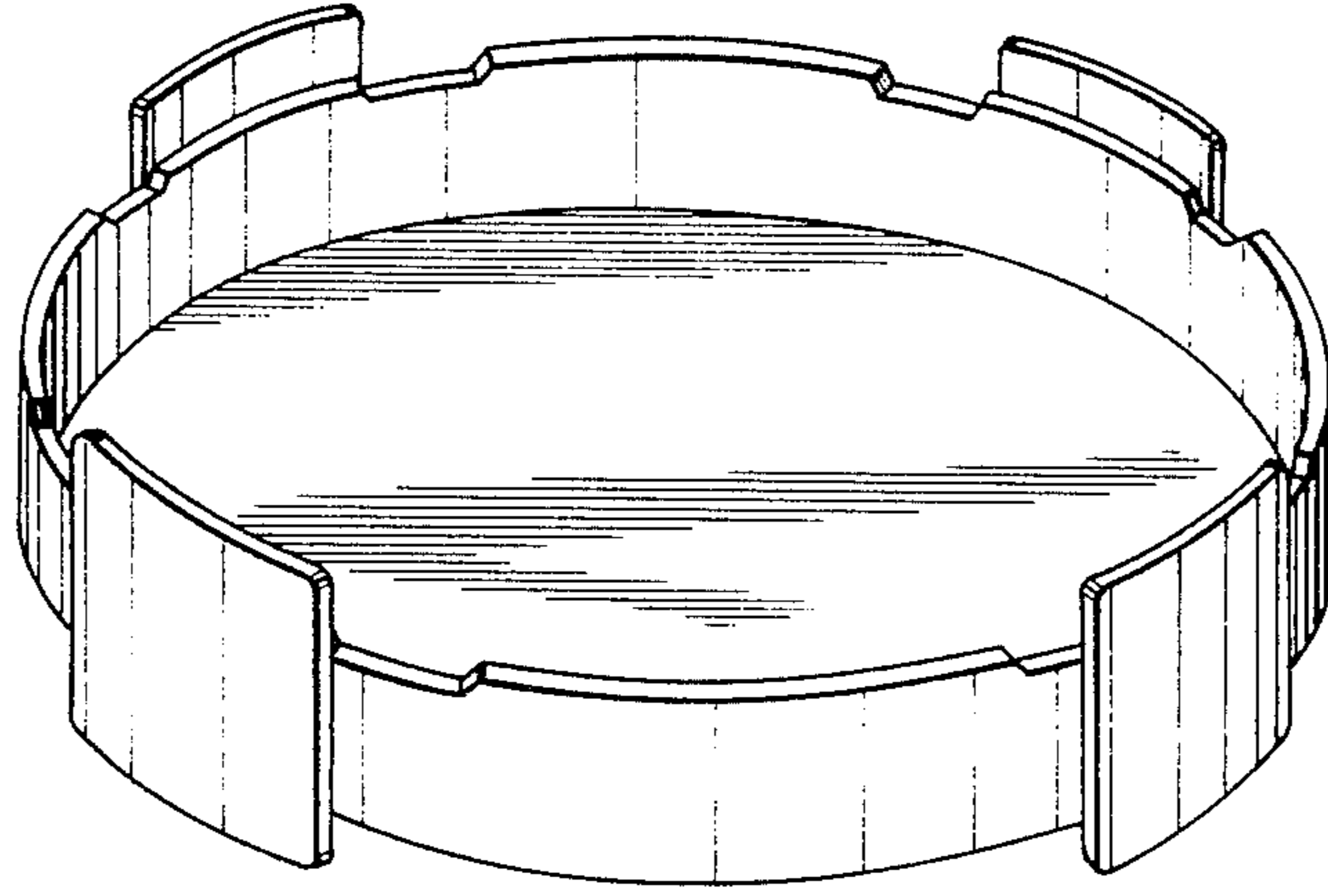


FIG. 1

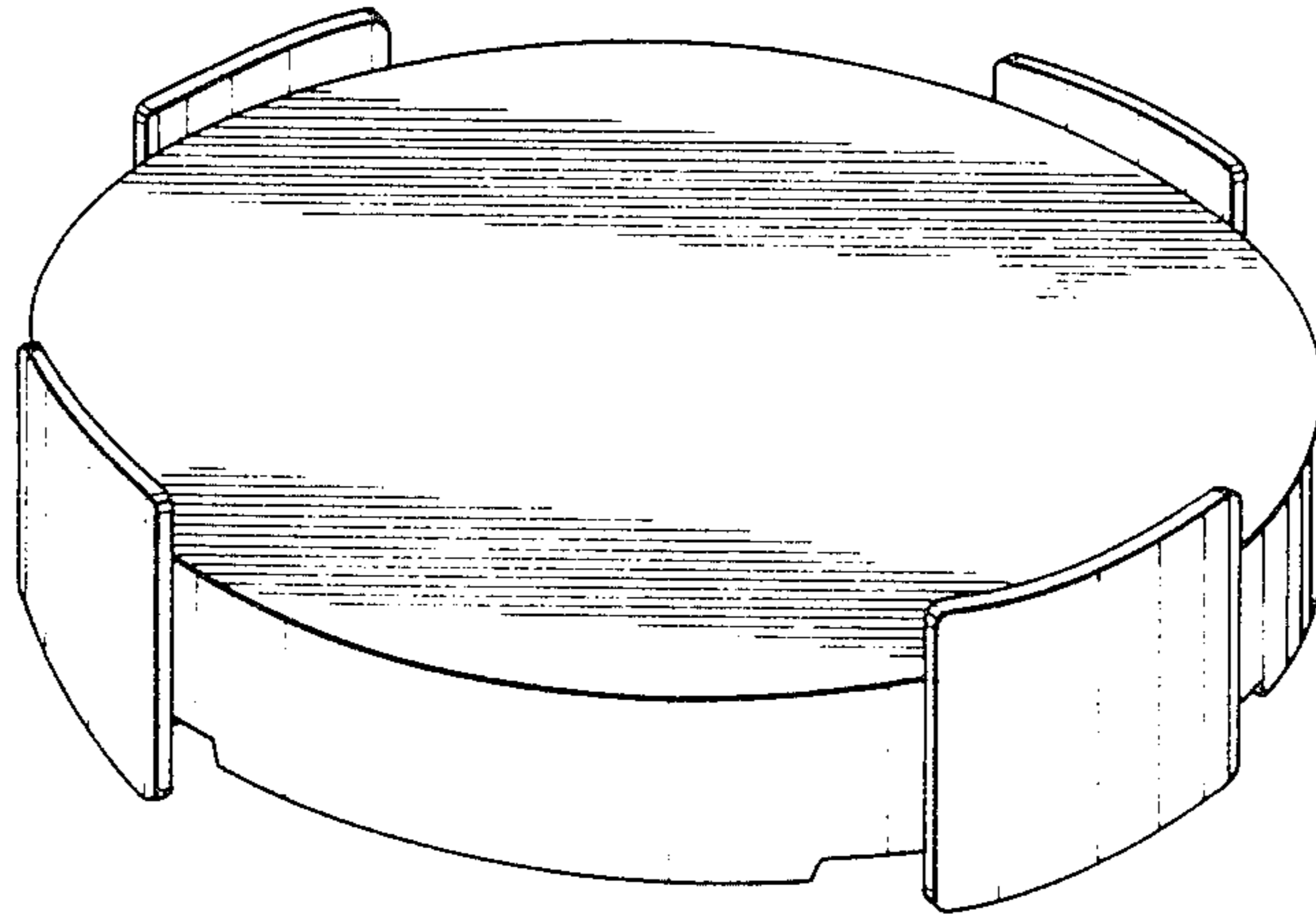


FIG. 2