

[54] PLASMA SEPARATOR CARTRIDGE OR SIMILAR ARTICLE

[75] Inventors: Gianfranco D. Zaccai, Boston; David B. Wheinstone, Danvers; Hamid Keramaty, Lexington; William E. Flynn, Chelmsford, all of Mass.

[73] Assignee: Allied Corporation, Morristown, N.J.

[**] Term: 14 Years

[21] Appl. No.: 365,876

[22] Filed: Apr. 5, 1982

[52] U.S. Cl. D24/21

[58] Field of Search D24/8, 17, 21, 22; 210/443, 445, 451, 238, 927; 604/6

[56] References Cited

U.S. PATENT DOCUMENTS

3,727,767	4/1972	Itter et al.	210/247
4,343,705	8/1982	Legg	210/637
4,431,019	2/1984	Kopp et al.	210/637

Primary Examiner—A. Hugo Word
Assistant Examiner—R. C. Anderson
Attorney, Agent, or Firm—Lowell H. McCarter

[57] CLAIM

The ornamental design for a plasma separator cartridge or similar article, substantially as shown.

DESCRIPTION

FIG. 1 is a perspective view of a plasma separator cartridge or similar article showing our new design; FIG. 2 is a top plan view thereof; FIG. 3 is a left side elevational view thereof; FIG. 4 is a front elevational view thereof; FIG. 5 is a right side elevational view thereof; FIG. 6 is a bottom plan view thereof; and FIG. 7 is a rear elevational view thereof.

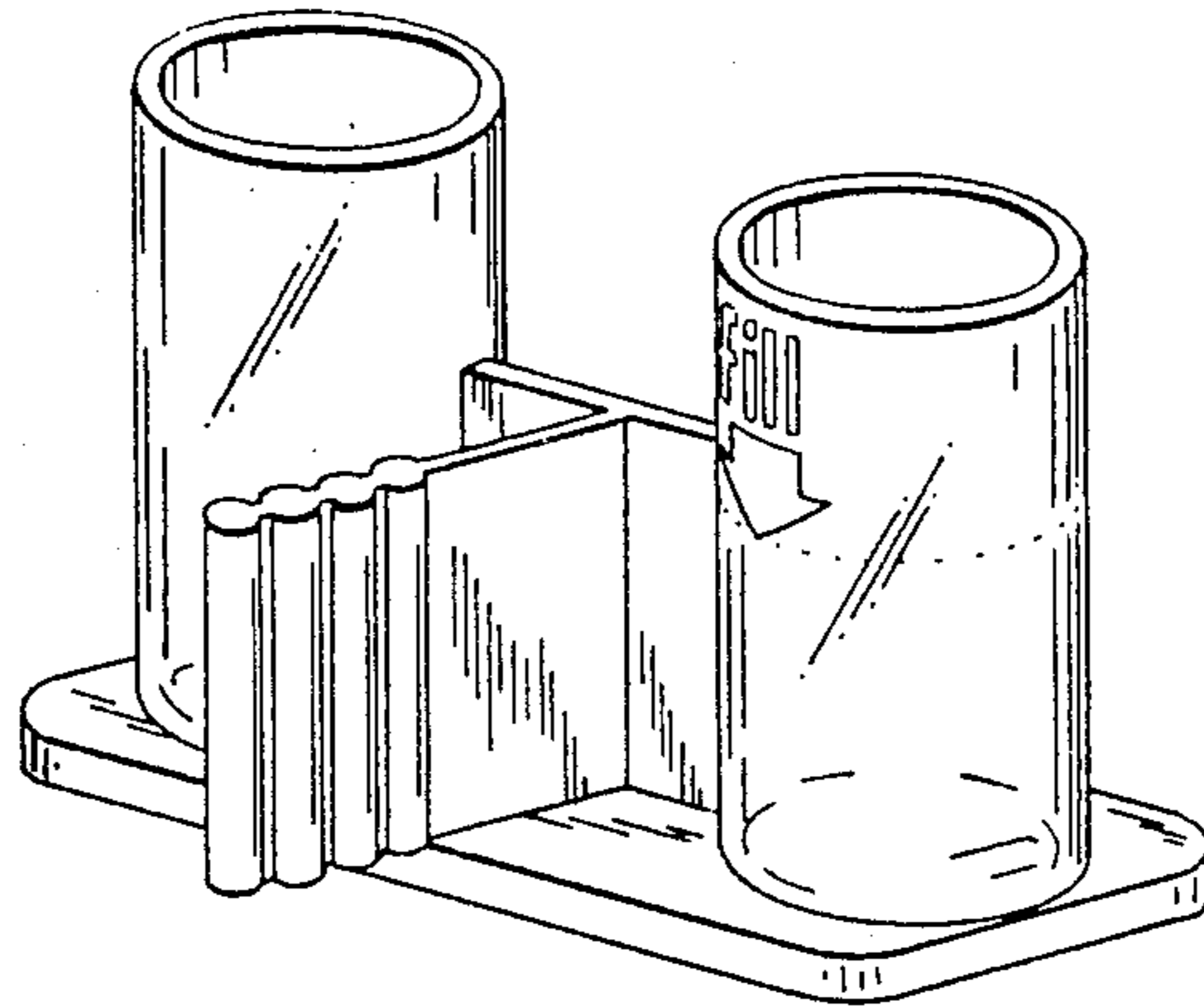


FIG 1

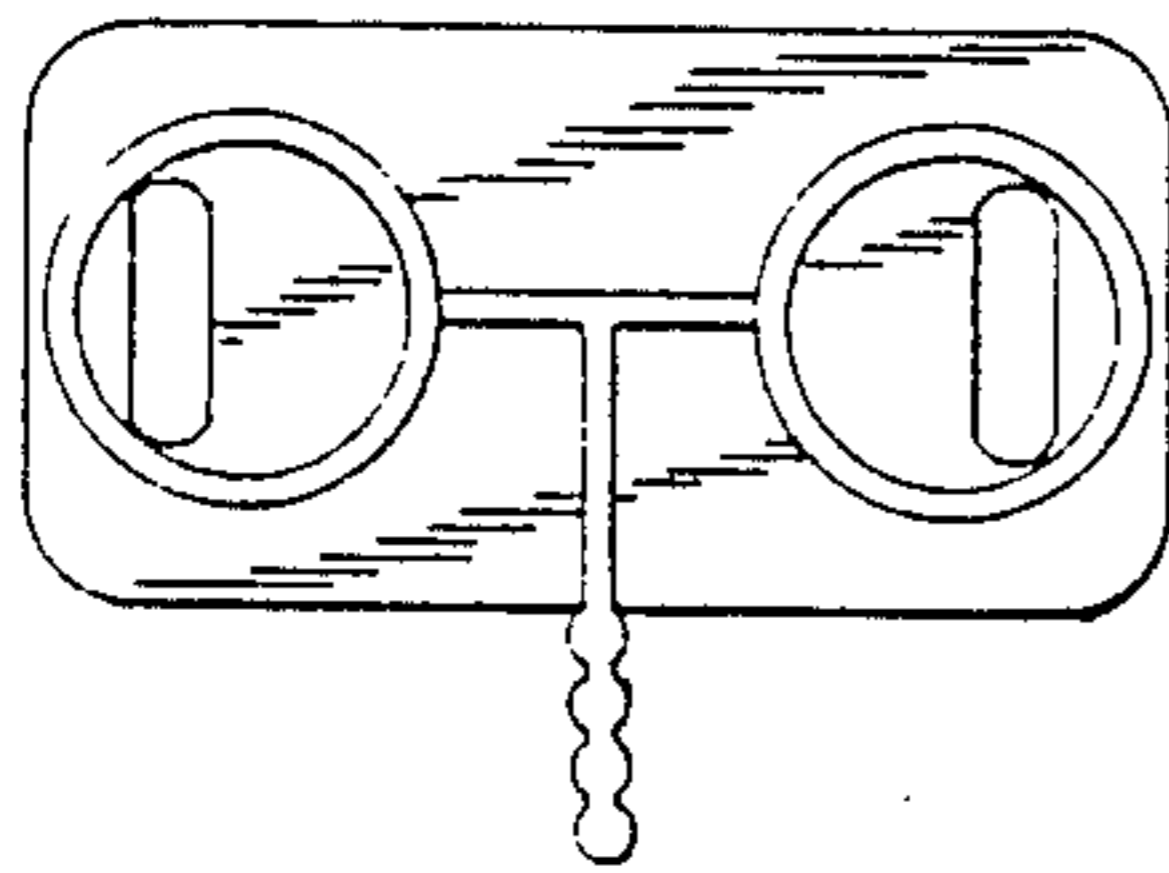
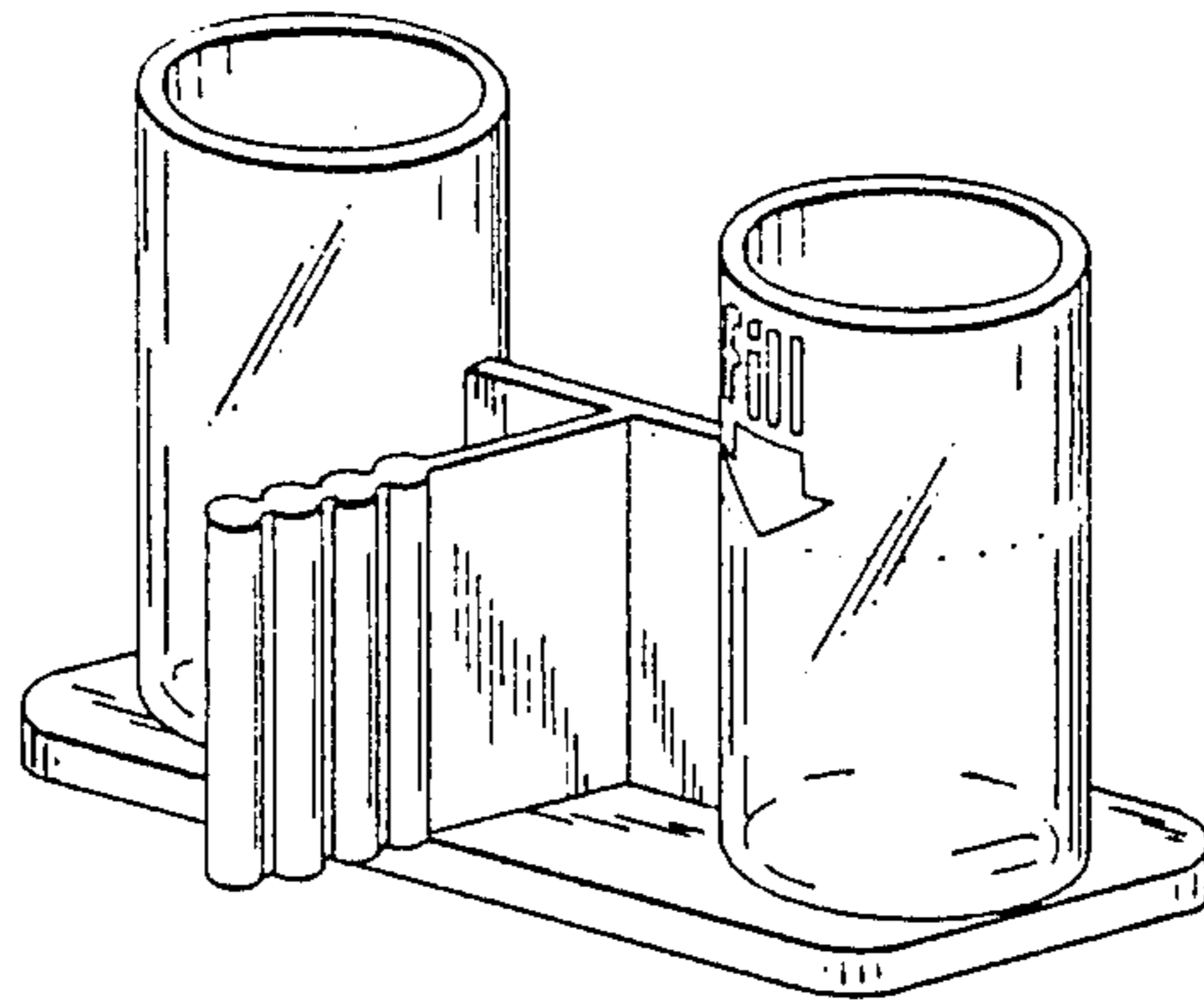


FIG 2

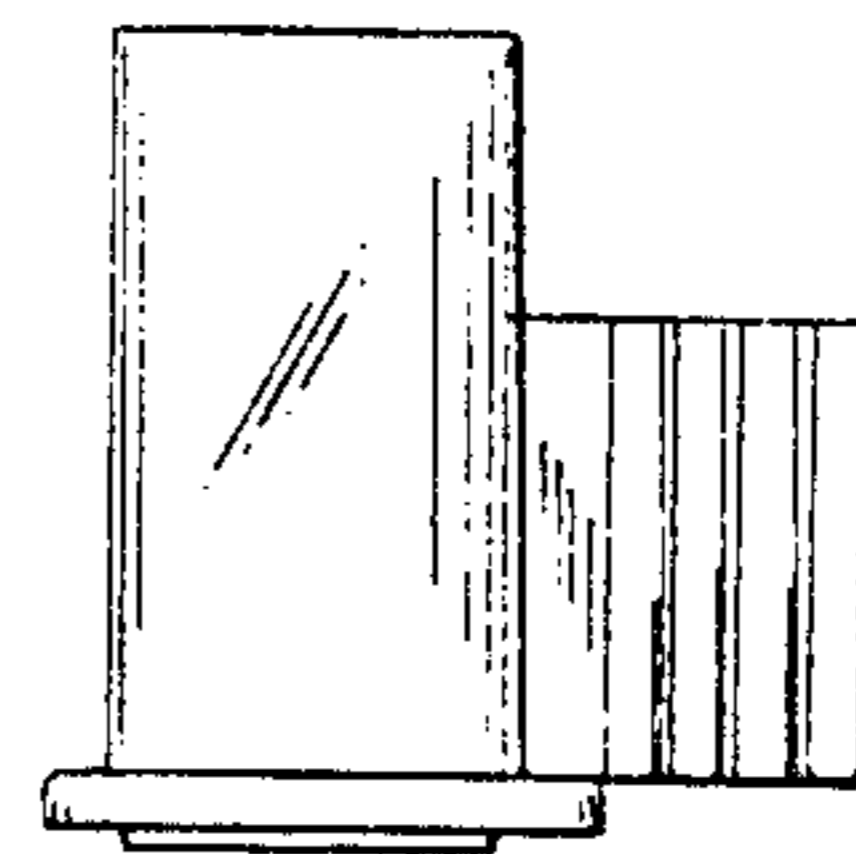


FIG 3

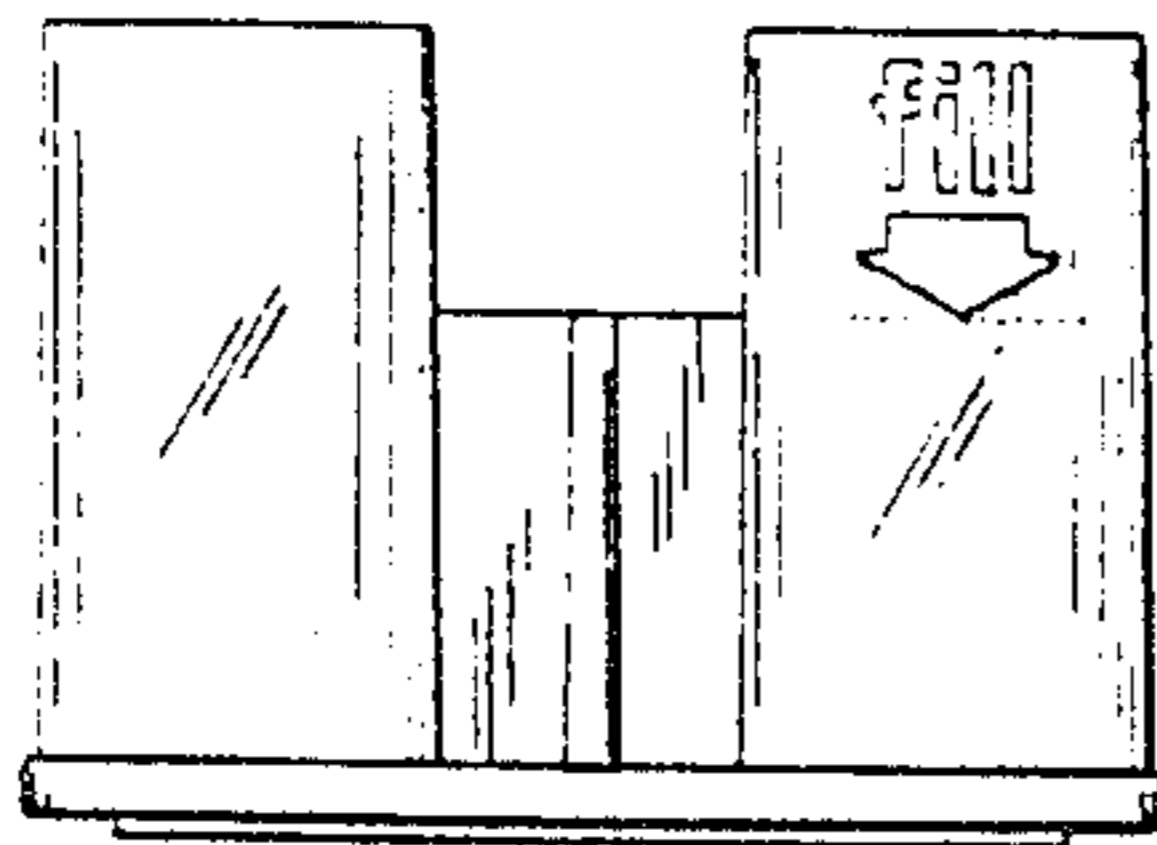


FIG 4

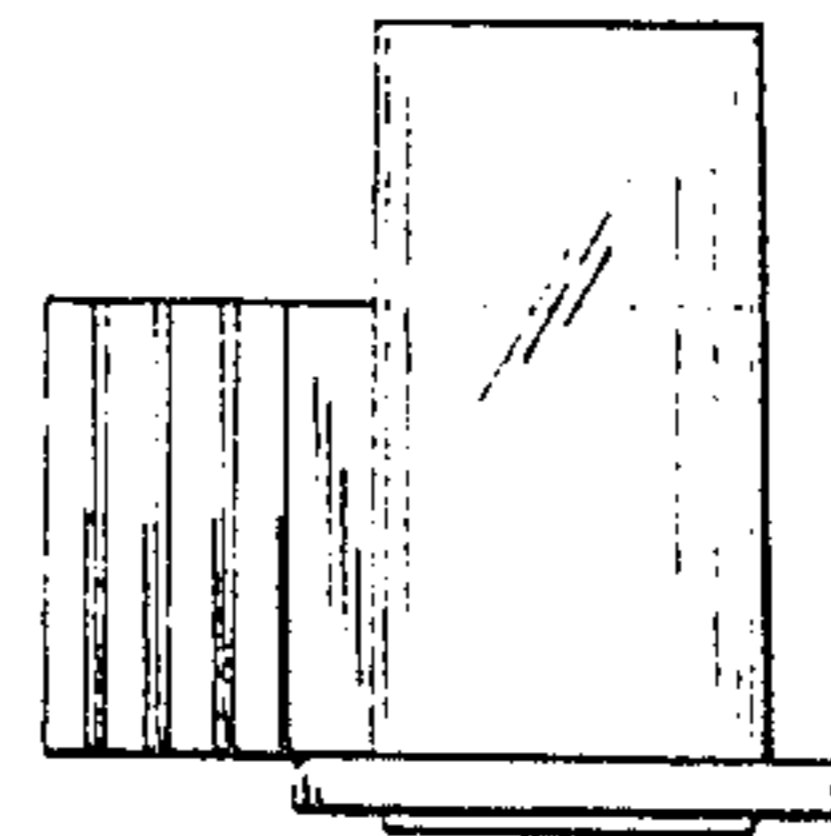


FIG 5

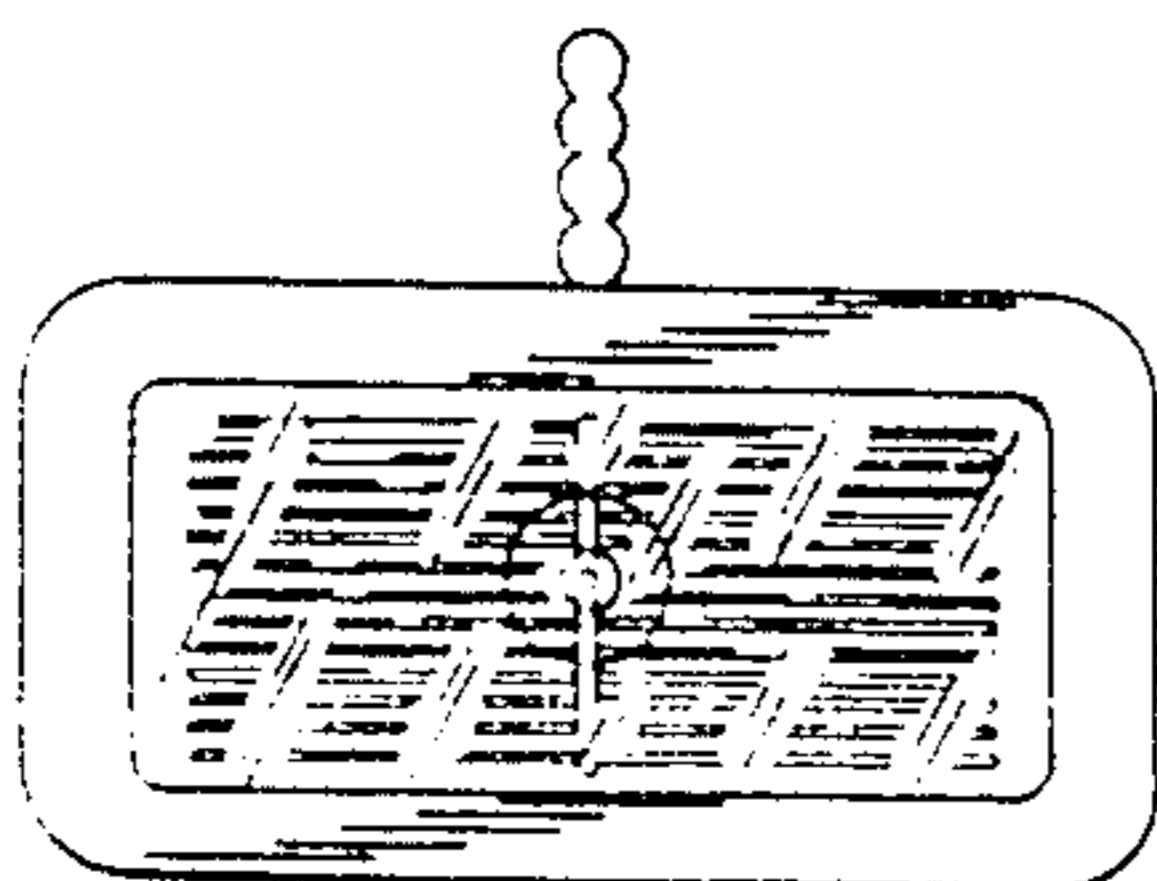


FIG 6

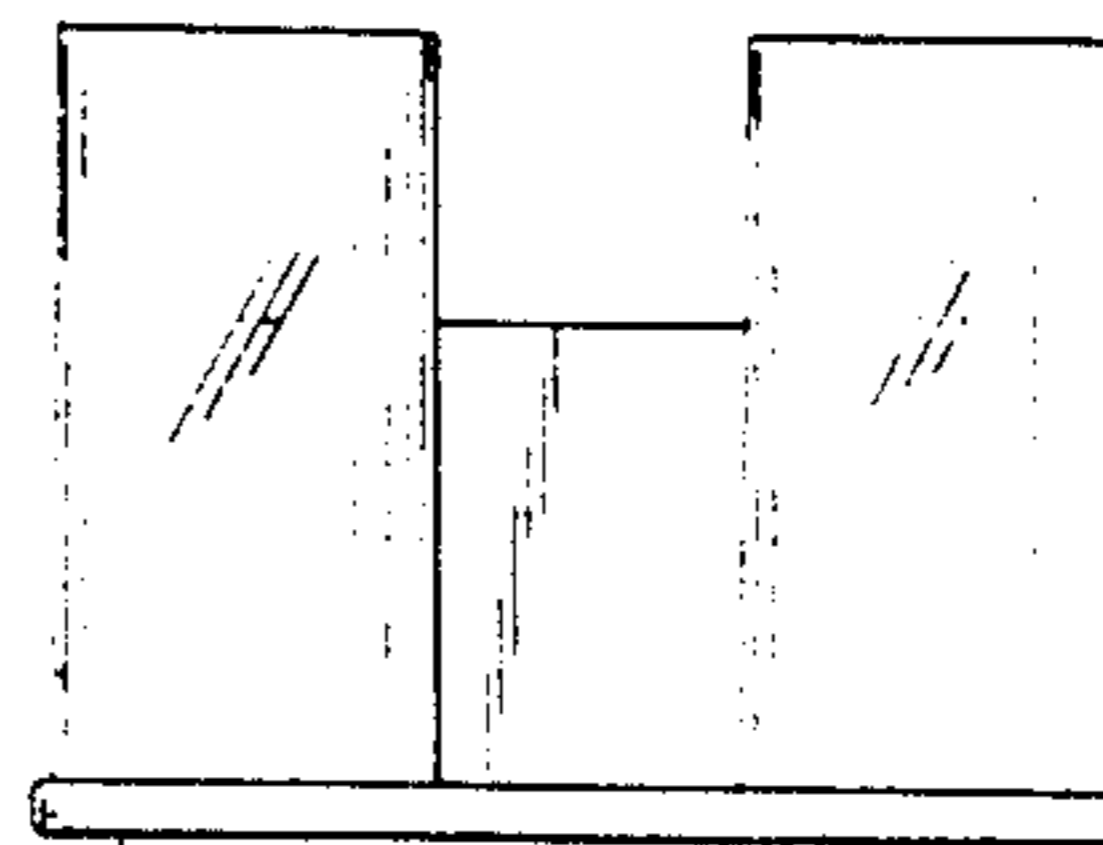


FIG 7