

[54] ROLLER SKATE CHASIS

D. 265,414 7/1982 Riggs D21/226

[75] Inventor: Melvin H. Scheller, Mt. Olive, Ill.

OTHER PUBLICATIONS

[73] Assignee: Roller Derby Skate Corporation, Litchfield, Ill.

Sporting Goods Dealer, 8-1979, p. 149, Roller Skate.

Primary Examiner—Charles A. Rademaker
Attorney, Agent, or Firm—Sixbey, Friedman & Leedom

[**] Term: 14 Years

[57] CLAIM

[21] Appl. No.: 447,647

The ornamental design for a roller skate chasis, as shown and described.

[22] Filed: Dec. 7, 1982

[52] U.S. Cl. D21/226

DESCRIPTION

[58] Field of Search D21/226, 11.19;
280/11.2, 11.21, 11.27, 11.28

FIG. 1 is a top plan view of a roller skate chasis showing my new design;

FIG. 2 is a side elevational view thereof, the side opposite being substantially a mirror image;

FIG. 3 is a bottom plan view thereof;

FIG. 4 is a front elevational view thereof; and,

FIG. 5 is a rear elevational view thereof.

[56] References Cited

U.S. PATENT DOCUMENTS

- D. 261,542 10/1981 Landy et al. D21/226
- D. 262,130 12/1981 Yoshimoto D21/226

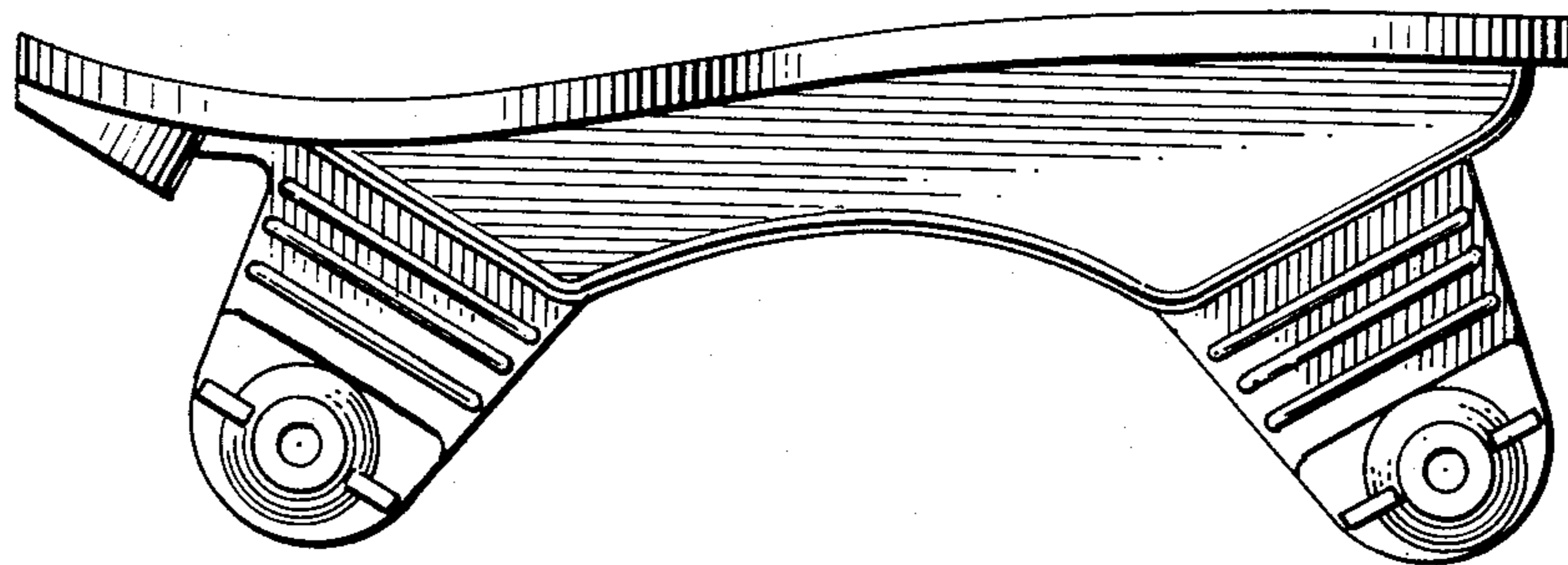


FIG. 1.

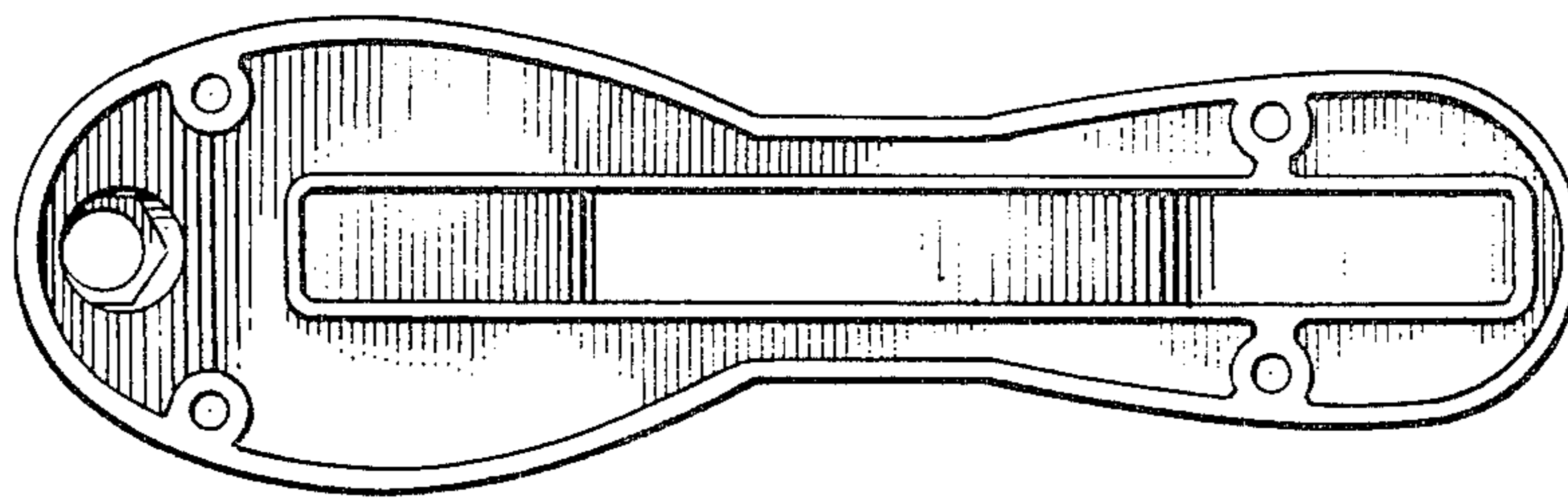


FIG. 2.

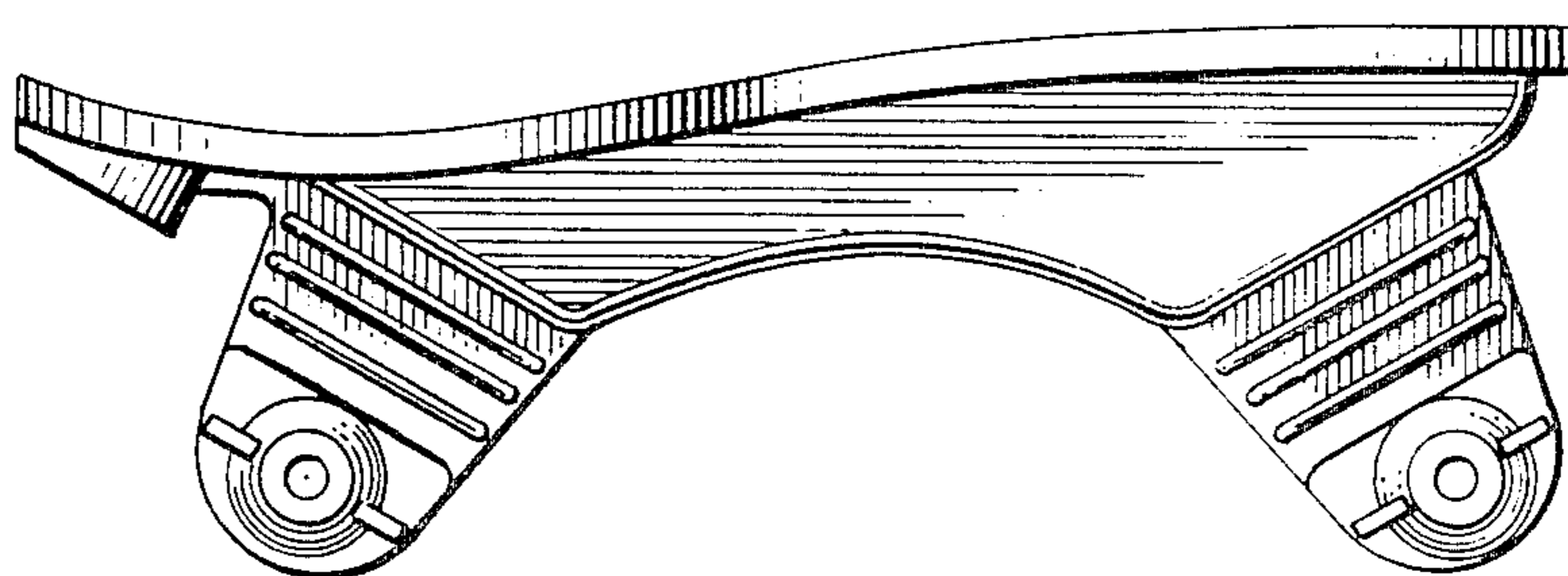


FIG. 3.

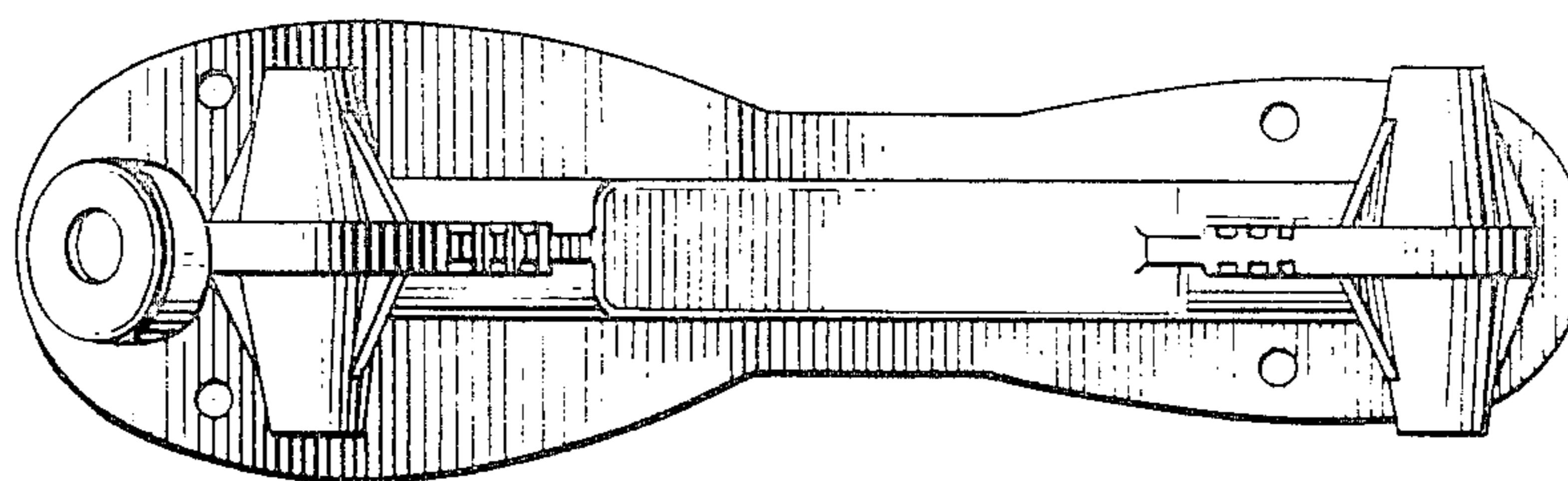


FIG. 4.

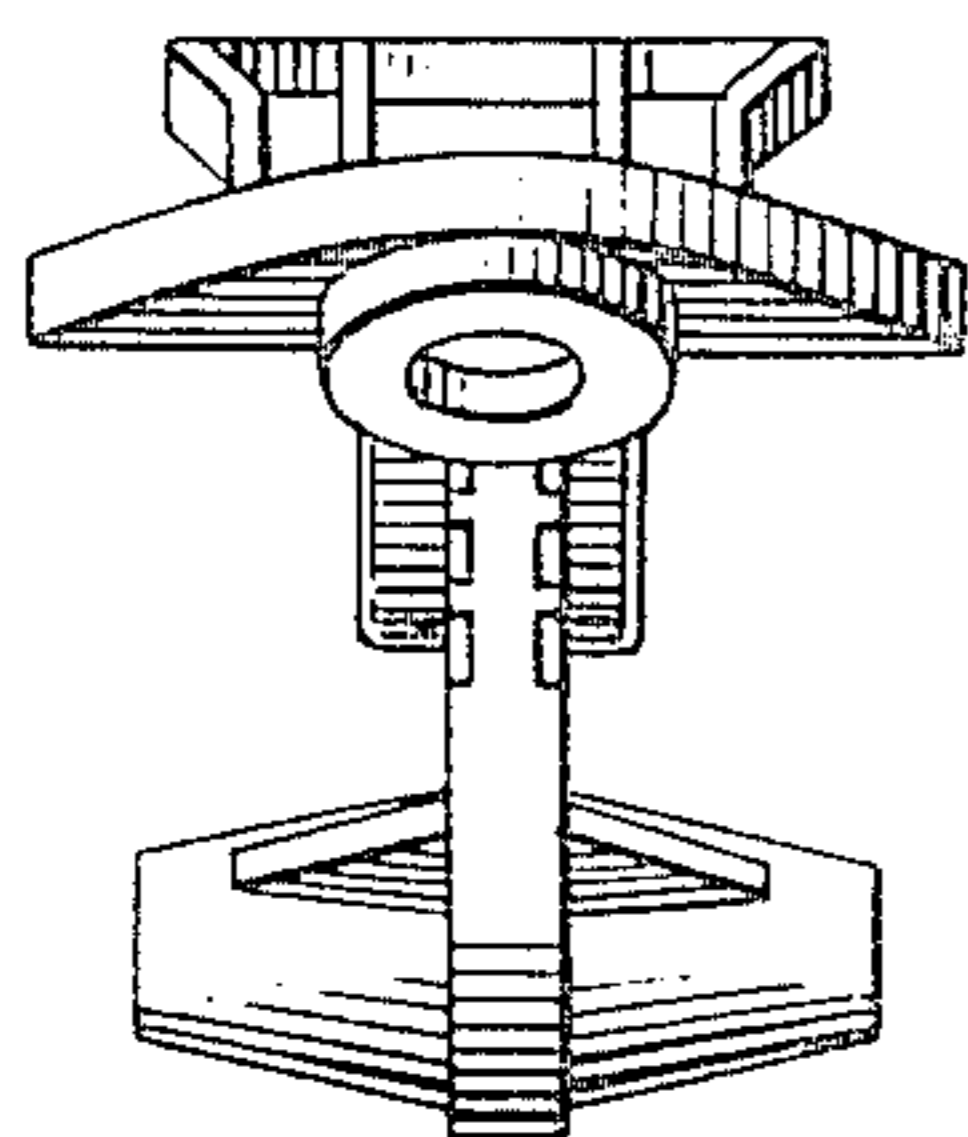


FIG. 5.

