

[54] ROBOT

[57] CLAIM

[75] Inventors: Douglas H. Jones, Felton; Siegfried W. Salat, Palo Alto Hills, both of Calif.

The ornamental design for a robot, as shown and described.

[73] Assignee: Androbot, Inc., San Jose, Calif.

DESCRIPTION

[**] Term: 14 Years

FIG. 1 is a perspective view of the robot with the rotatable head turned from the forward facing position showing our new design;

[21] Appl. No.: 447,655

FIG. 2 is a front view thereof with the head facing forward;

[22] Filed: Dec. 7, 1982

FIG. 3 is a right side view thereof with the head facing forward;

[52] U.S. Cl. D21/150

FIG. 4 is a rear view thereof with the head facing forward;

[58] Field of Search D21/150, 148, 160; 446/289-291, 376

FIG. 5 is a left side view thereof with the head facing forward;

[56] References Cited

U.S. PATENT DOCUMENTS

D. 262,474	12/1981	Doornick et al.	D21/150
D. 263,488	3/1982	Haber	D21/150
3,103,762	9/1963	Glass et al.	D21/150
3,728,815	4/1973	Tomiyama	D21/150

FIG. 6 is a top view thereof with the head facing forward;

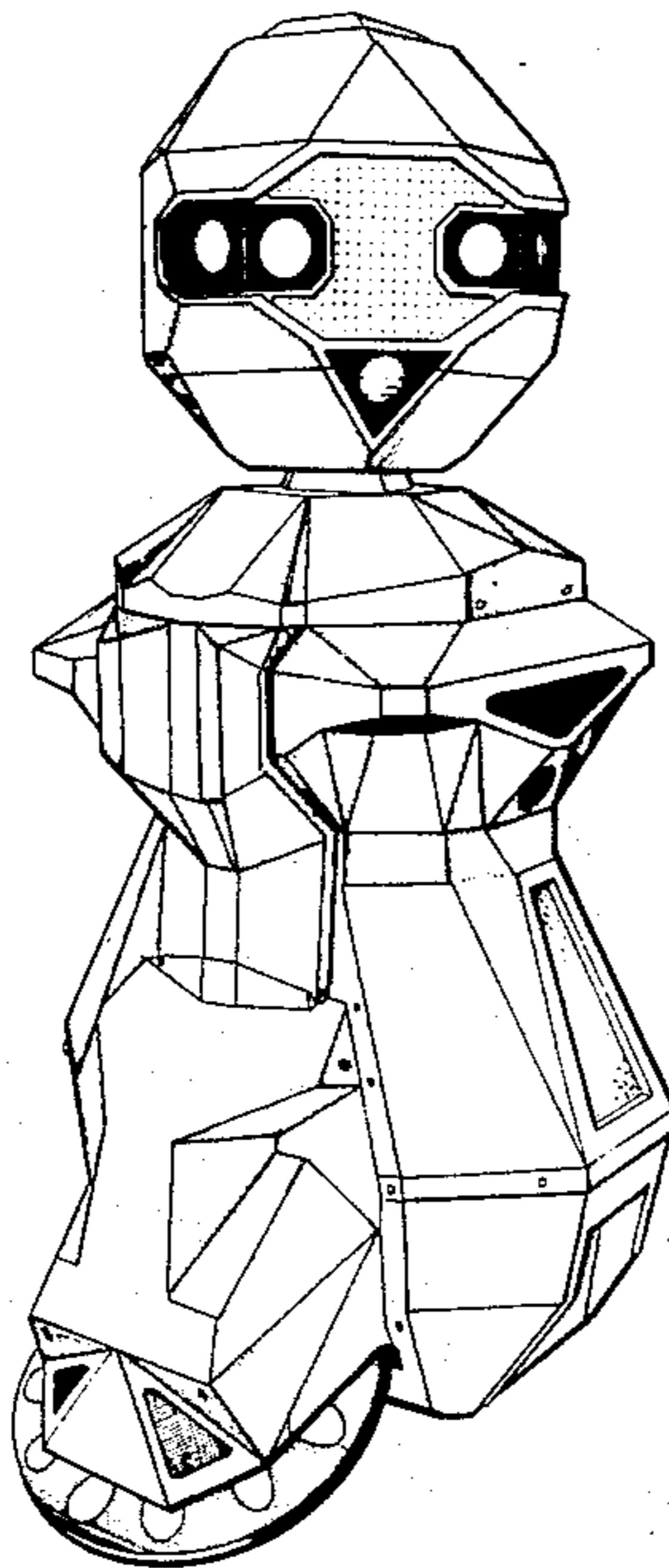
FIG. 7 is a bottom view thereof with the head facing forward;

FIG. 8 is a front view thereof with the head facing forward and with the extendable arms in their extended positions;

FIG. 9 is a right side view thereof with the hand facing forward and with the extendable arms in their extended positions; and

FIG. 10 is a rear view thereof with the head facing forward and with the extendable arms in their extended positions.

Primary Examiner—Melvin B. Feifer
Attorney, Agent, or Firm—Reagin & King



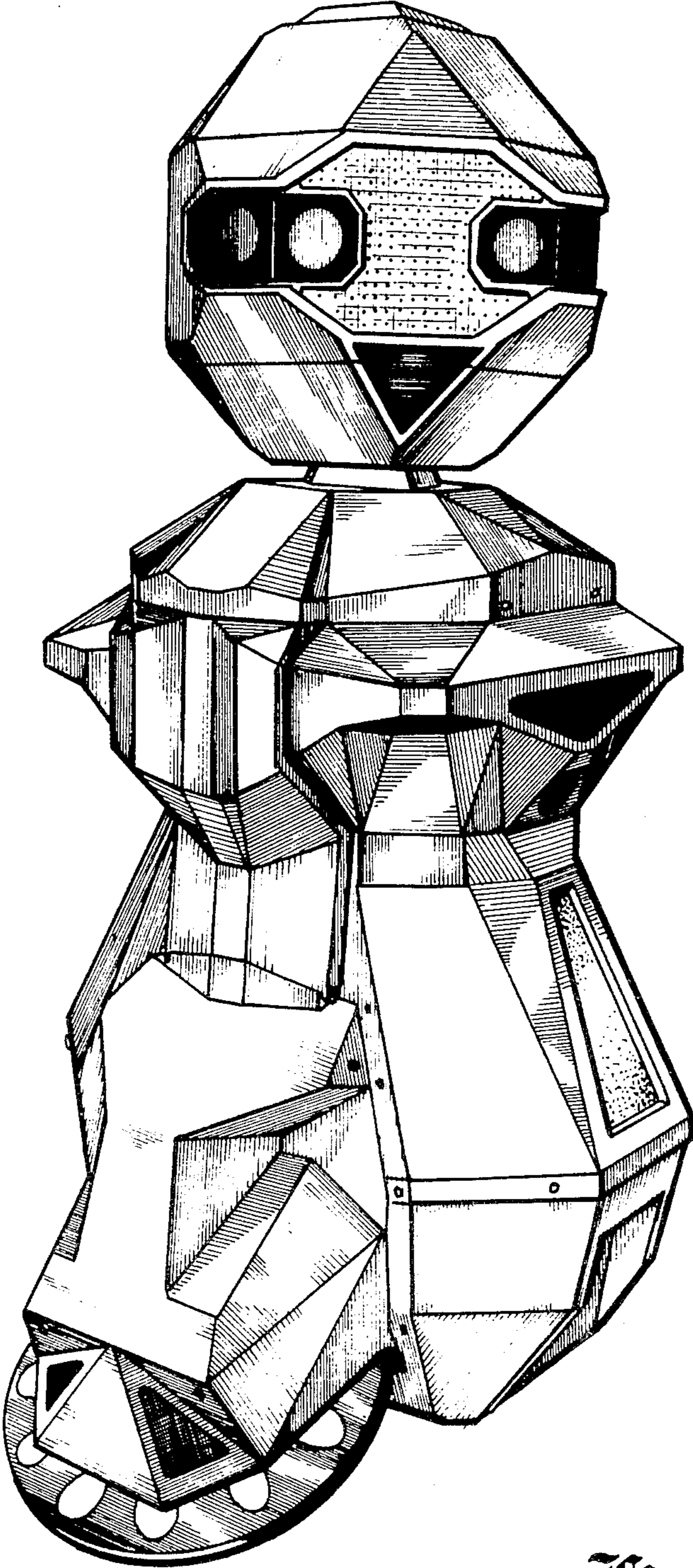


Fig. 1.

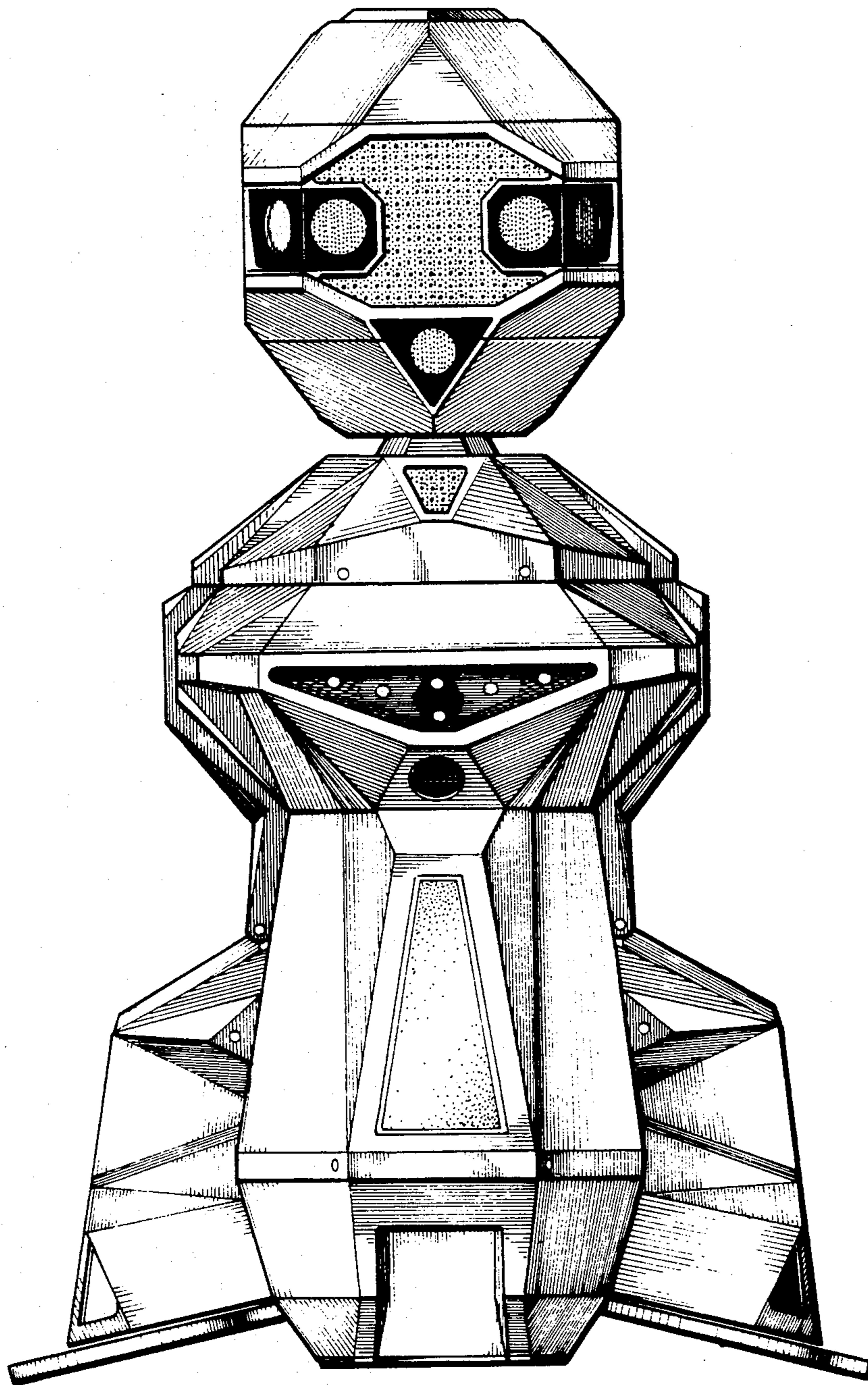


Fig. 2.

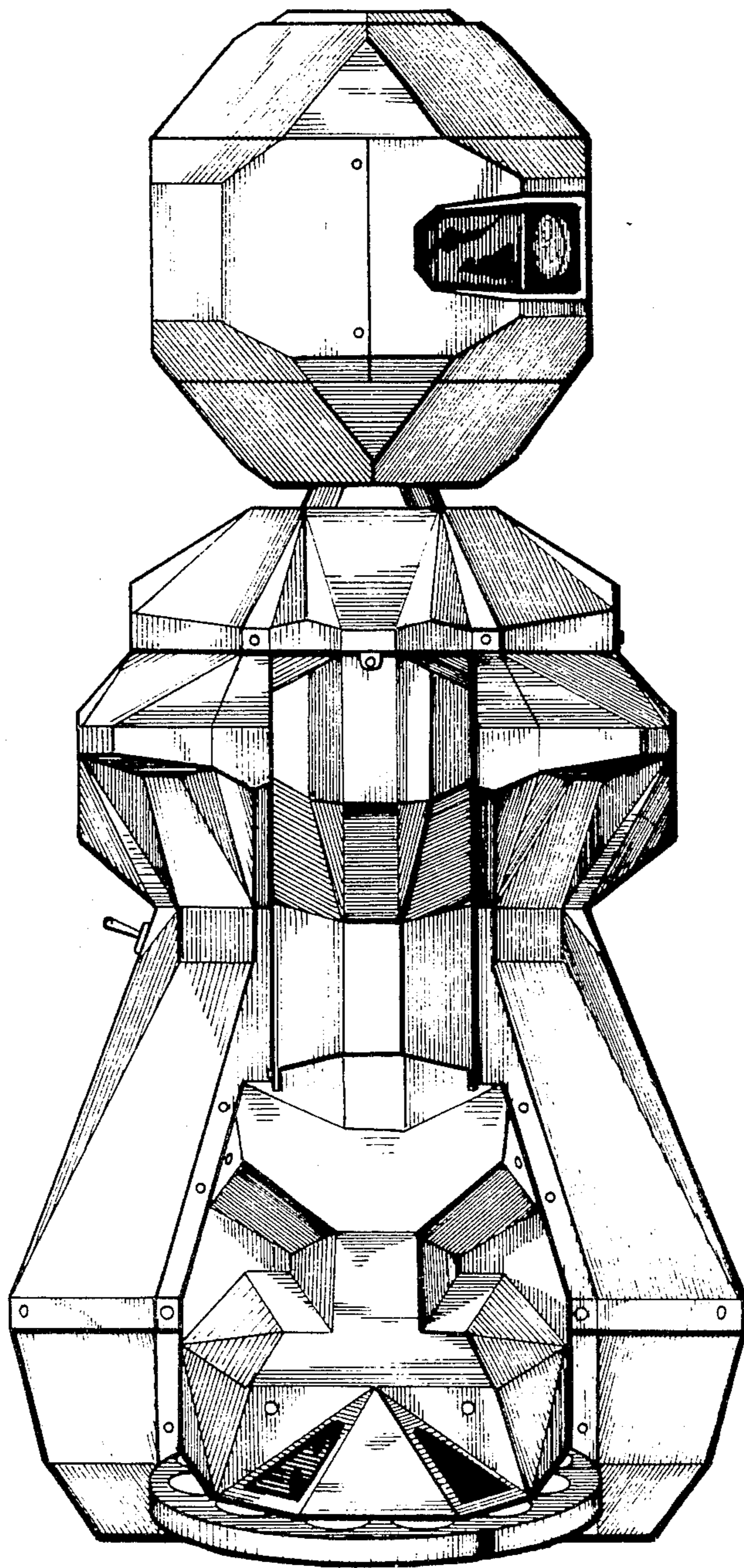


Fig. 3.

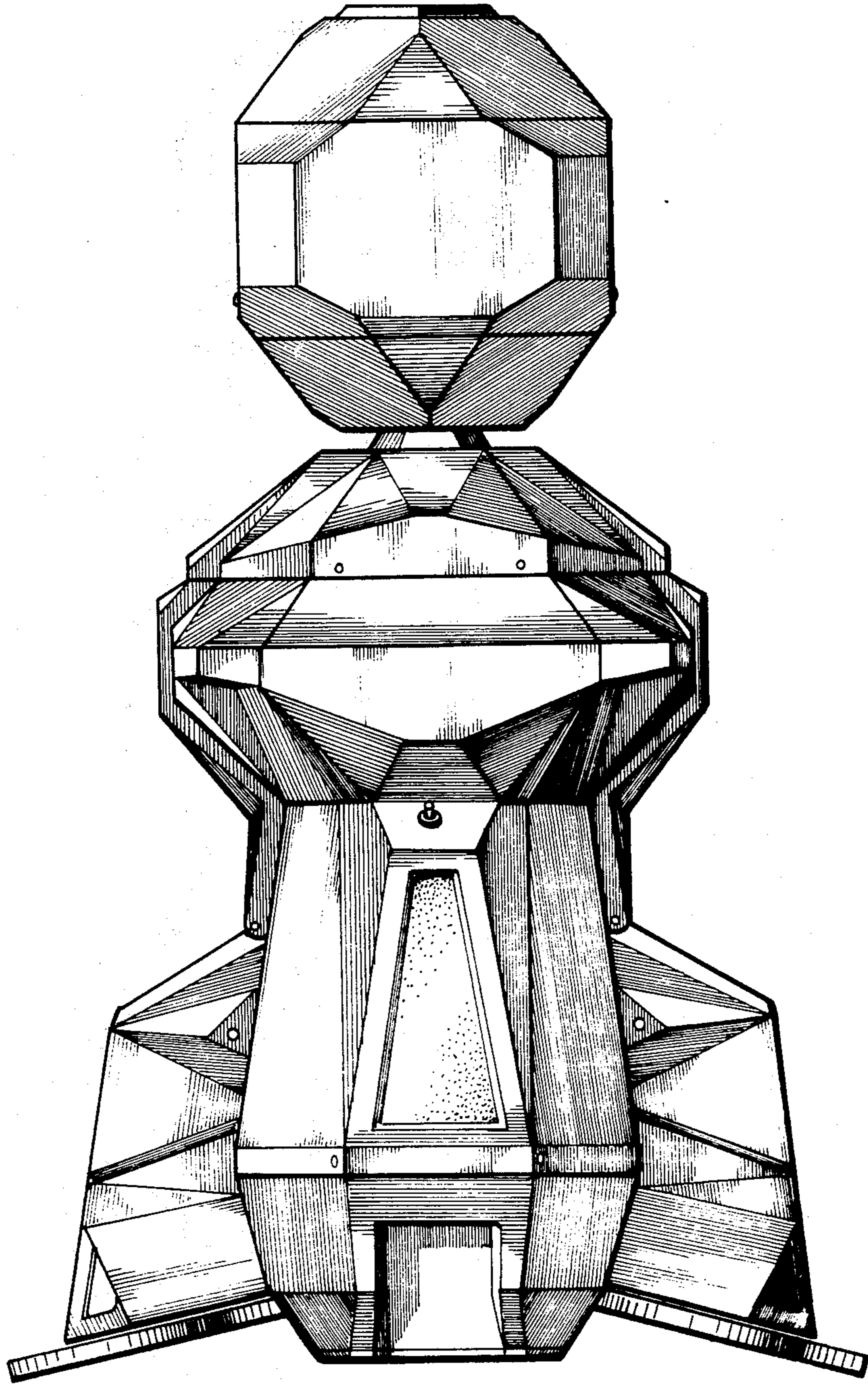


Fig. 4.

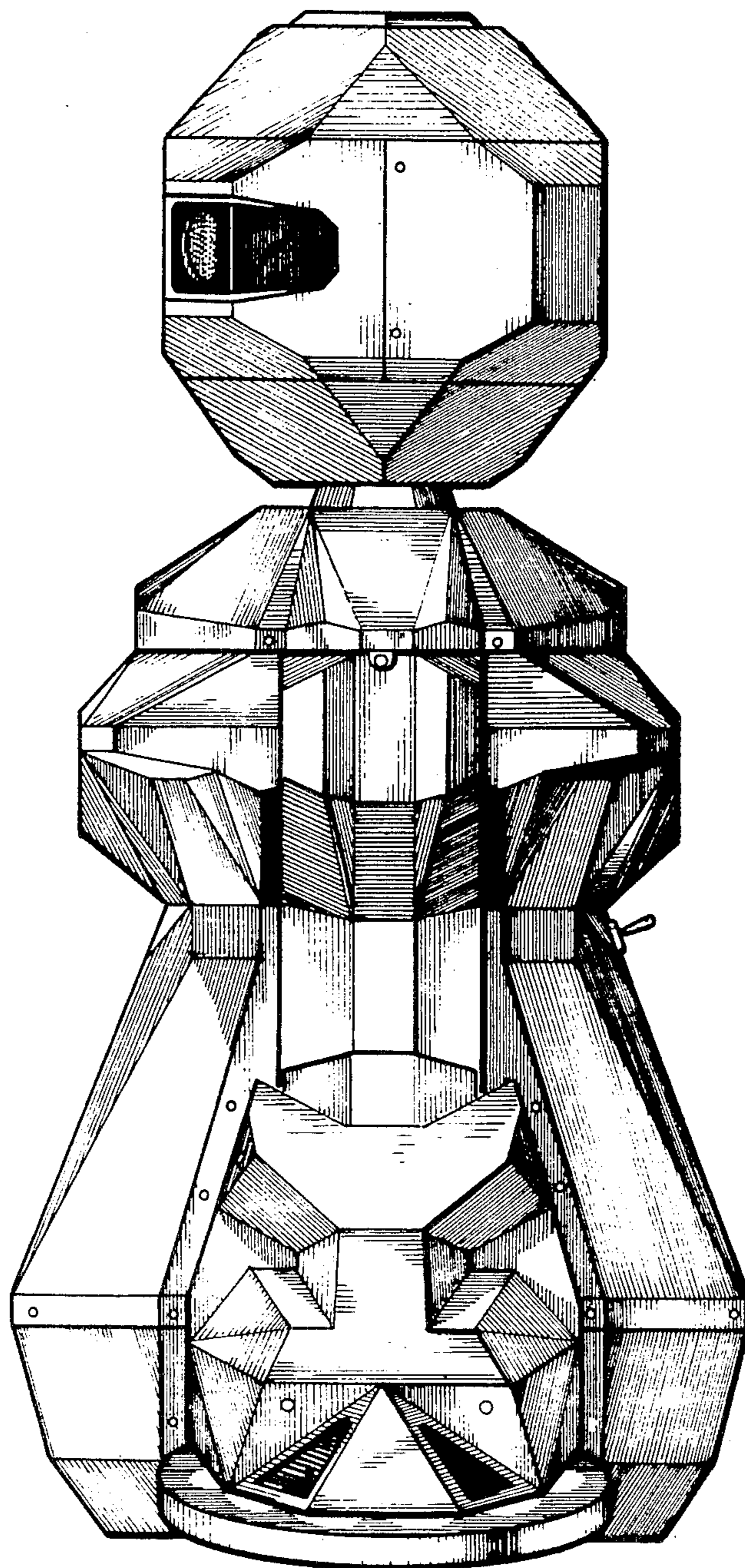


Fig. 5.

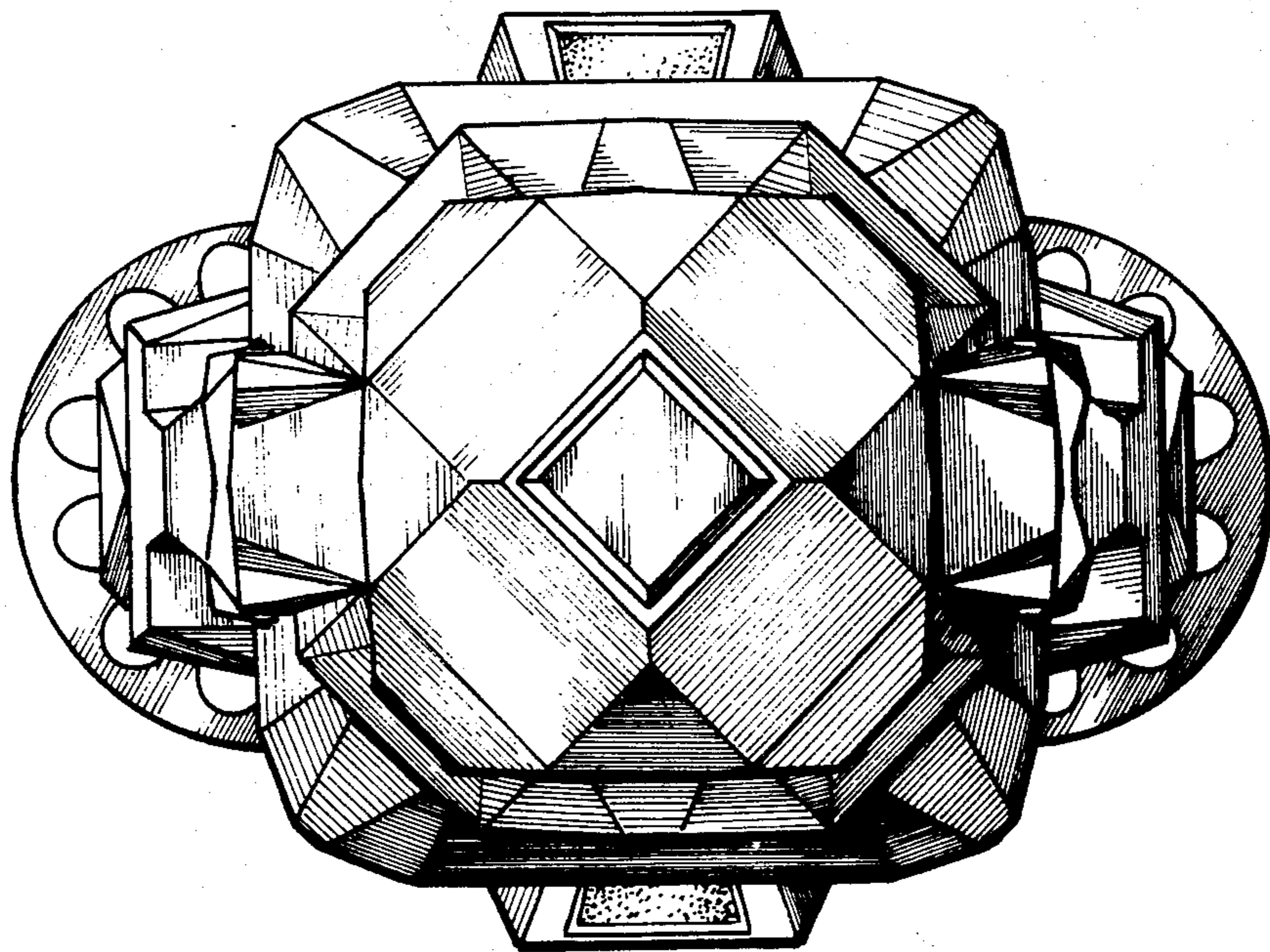


Fig. 6.

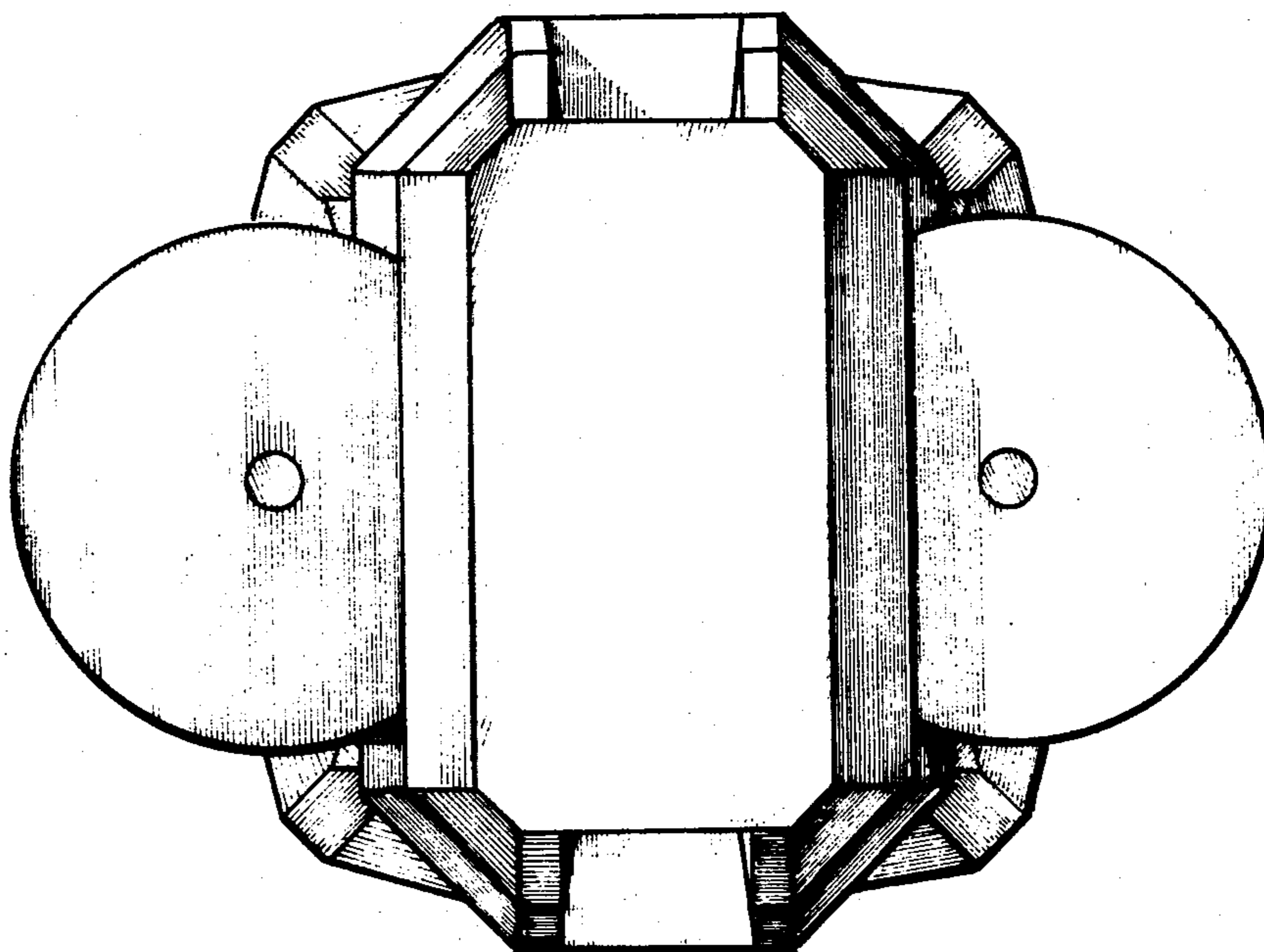


Fig. 7.

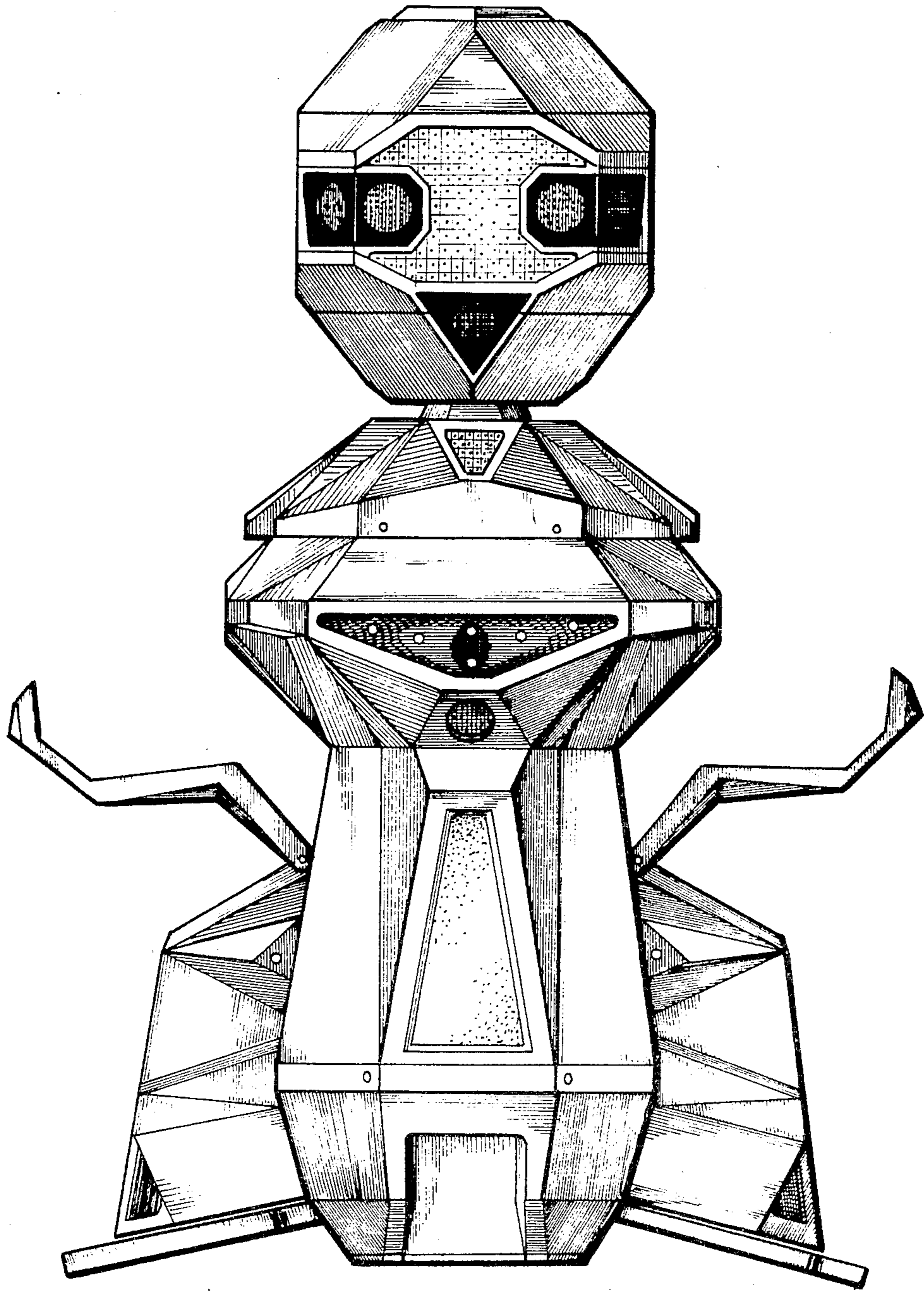


Fig. 8.

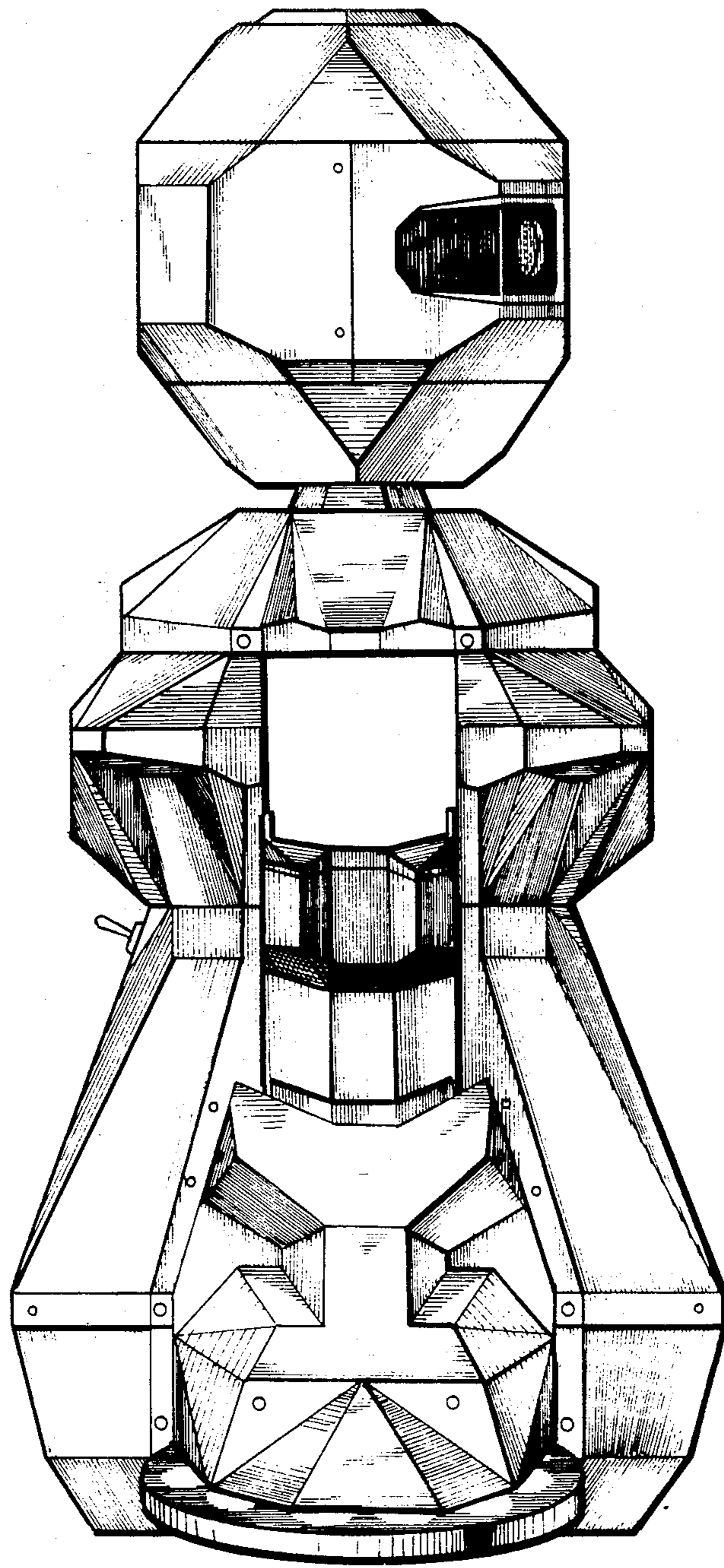


Fig. 9.

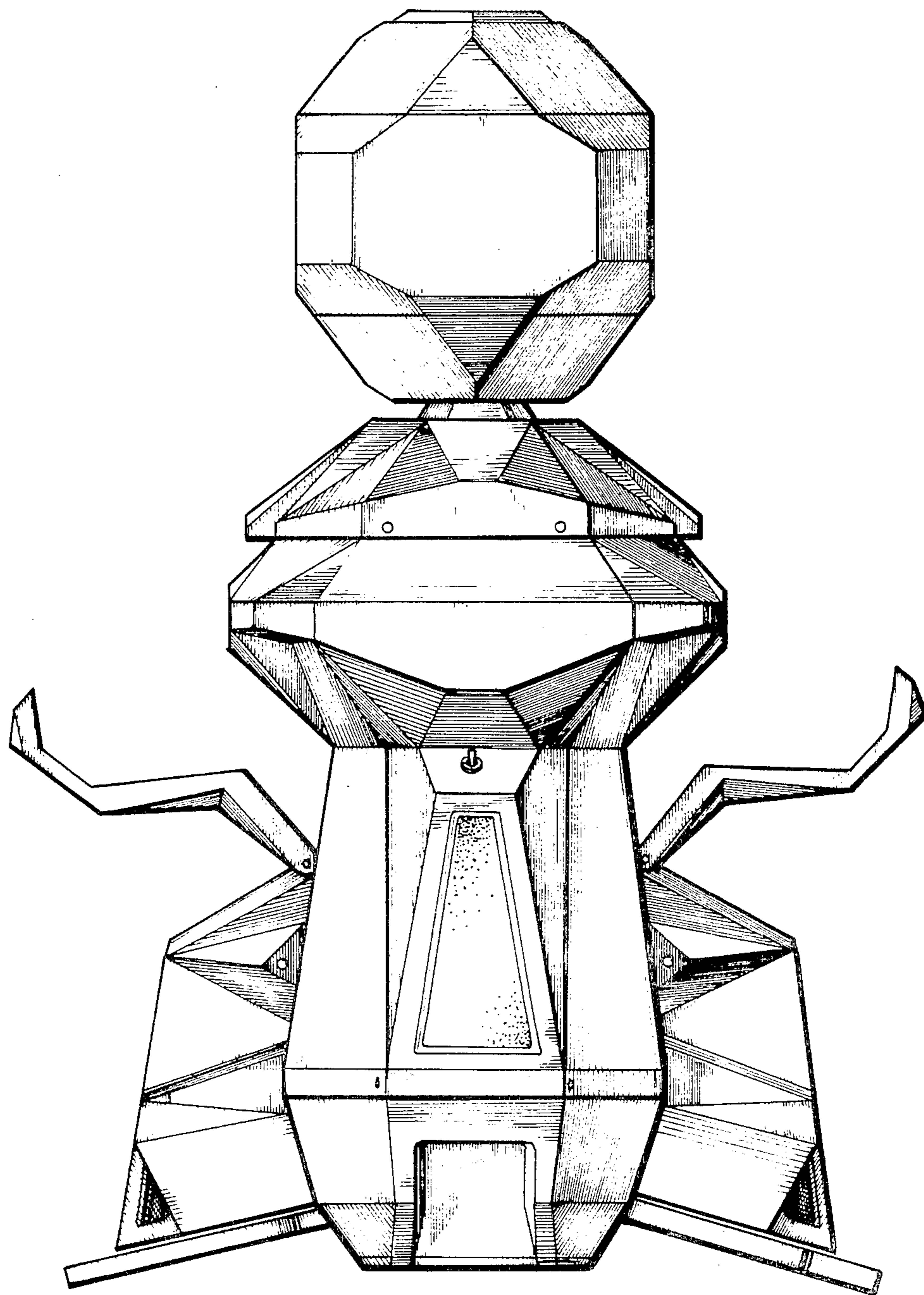


Fig. 10.