

[54] TOY GAS PUMP

2,797,526 7/1957 Milhas 446/483

[75] Inventor: Larry R. Nagode, East Aurora, N.Y.

OTHER PUBLICATIONS

Tokheim Corp. Flier, 8-1962, "Tokheim" pump.

[73] Assignee: The Quaker Oats Company, Chicago, Ill.

Primary Examiner—Charles A. Rademaker
Attorney, Agent, or Firm—Cumpston & Shaw

[**] Term: 14 Years

[57] CLAIM

[21] Appl. No.: 461,608

The ornamental design for a toy gas pump, substantially as shown and described.

[22] Filed: Jan. 27, 1983

DESCRIPTION

[52] U.S. Cl. D21/124; D15/9.1

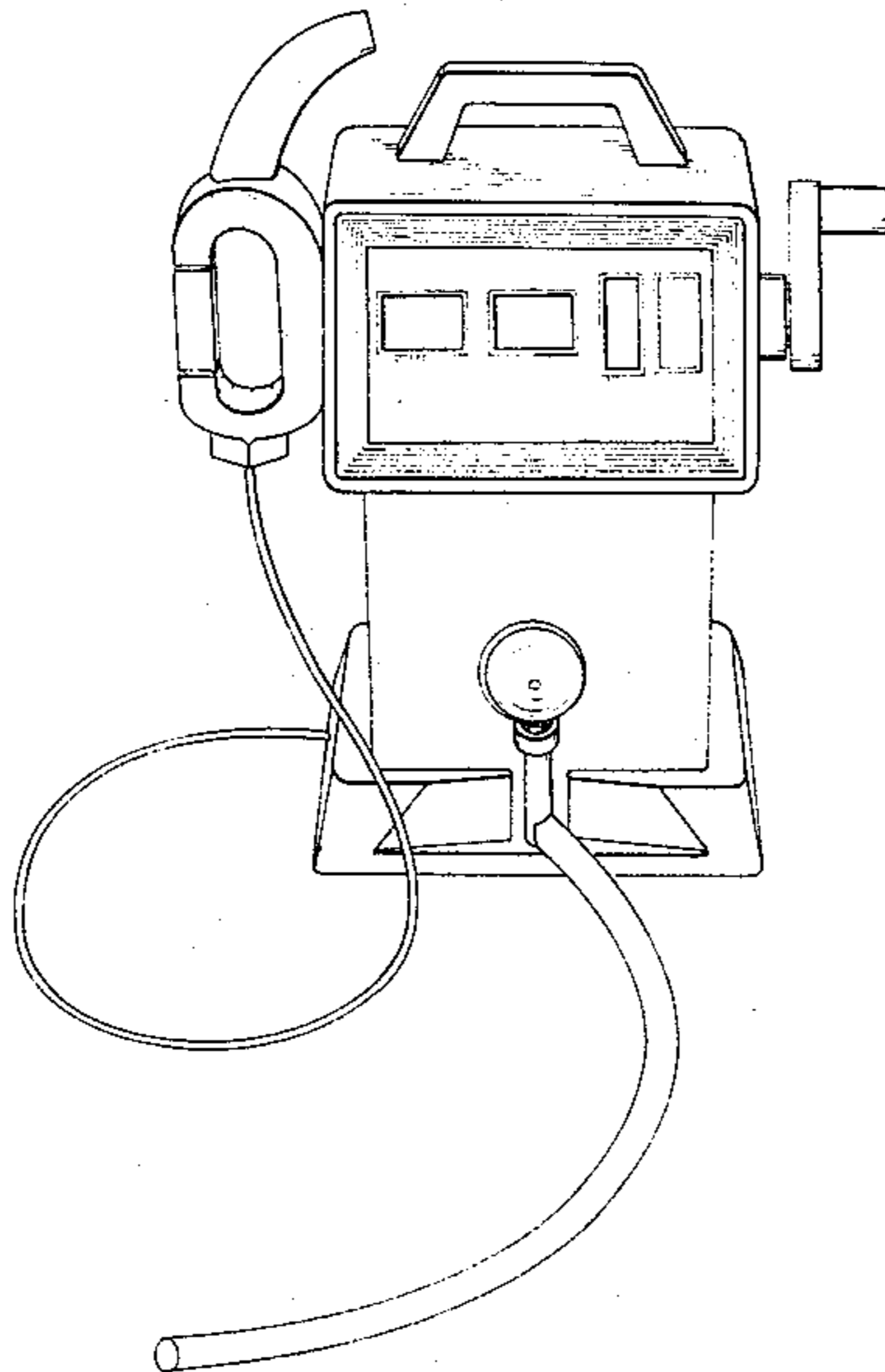
[58] Field of Search D21/59, 109, 124; D15/9.1; 446/8, 475, 483

FIG. 1 is a front perspective view of a toy gas pump showing my new design;
FIG. 2 is a bottom plan view thereof;
FIG. 3 is a right-side elevational view thereof;
FIG. 4 is a left-side elevational view thereof; and
FIG. 5 is a rear elevational view thereof.
Portions of the tube members have been shown in fragment in FIGS. 2 through 5 for ease of illustration.

[56] References Cited

U.S. PATENT DOCUMENTS

- D. 199,502 11/1964 Jacobs et al. D15/9.1
- D. 201,568 7/1965 Sasnett D15/9.1
- D. 211,401 6/1968 Chieda et al. D15/9.1



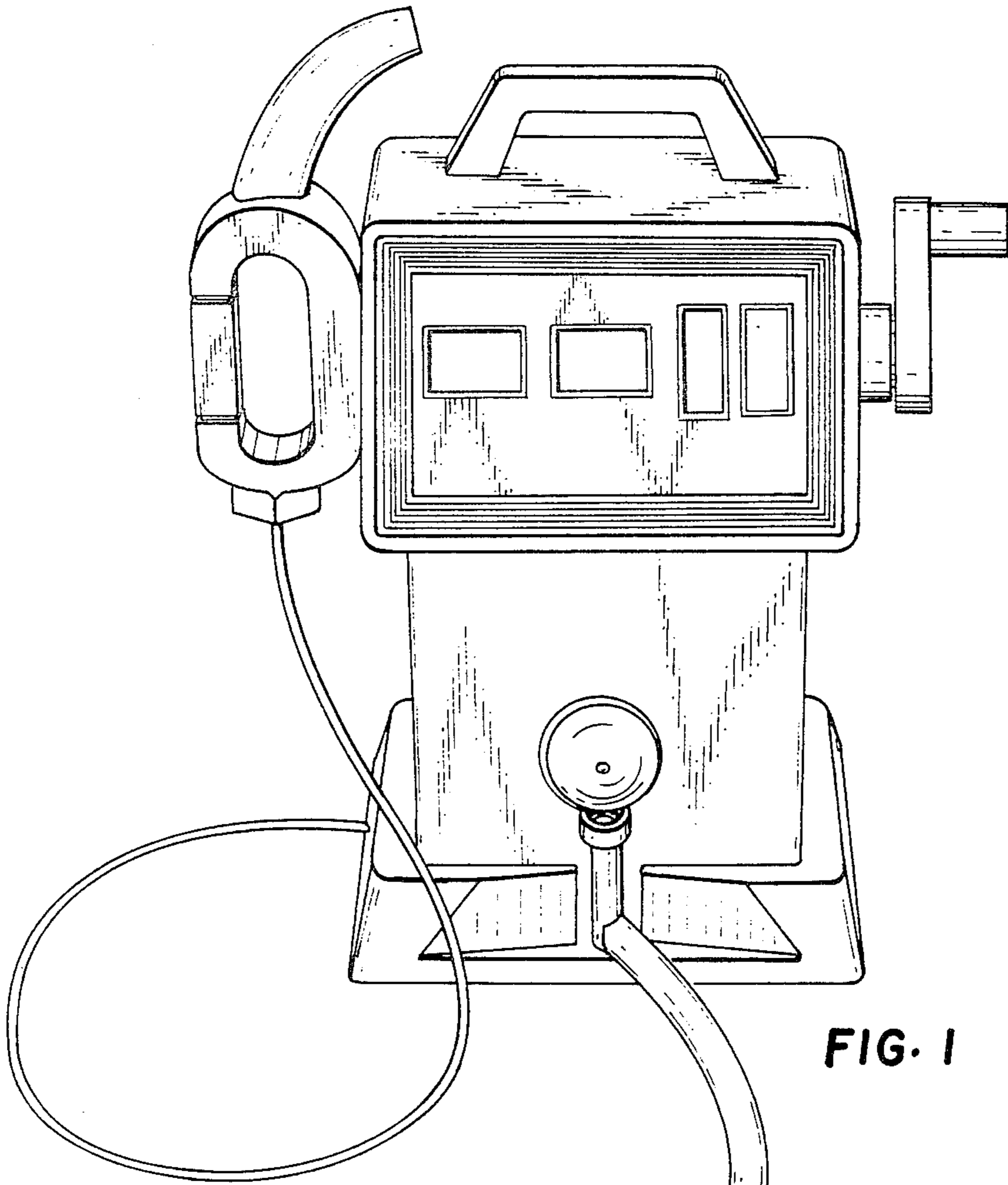


FIG. 1

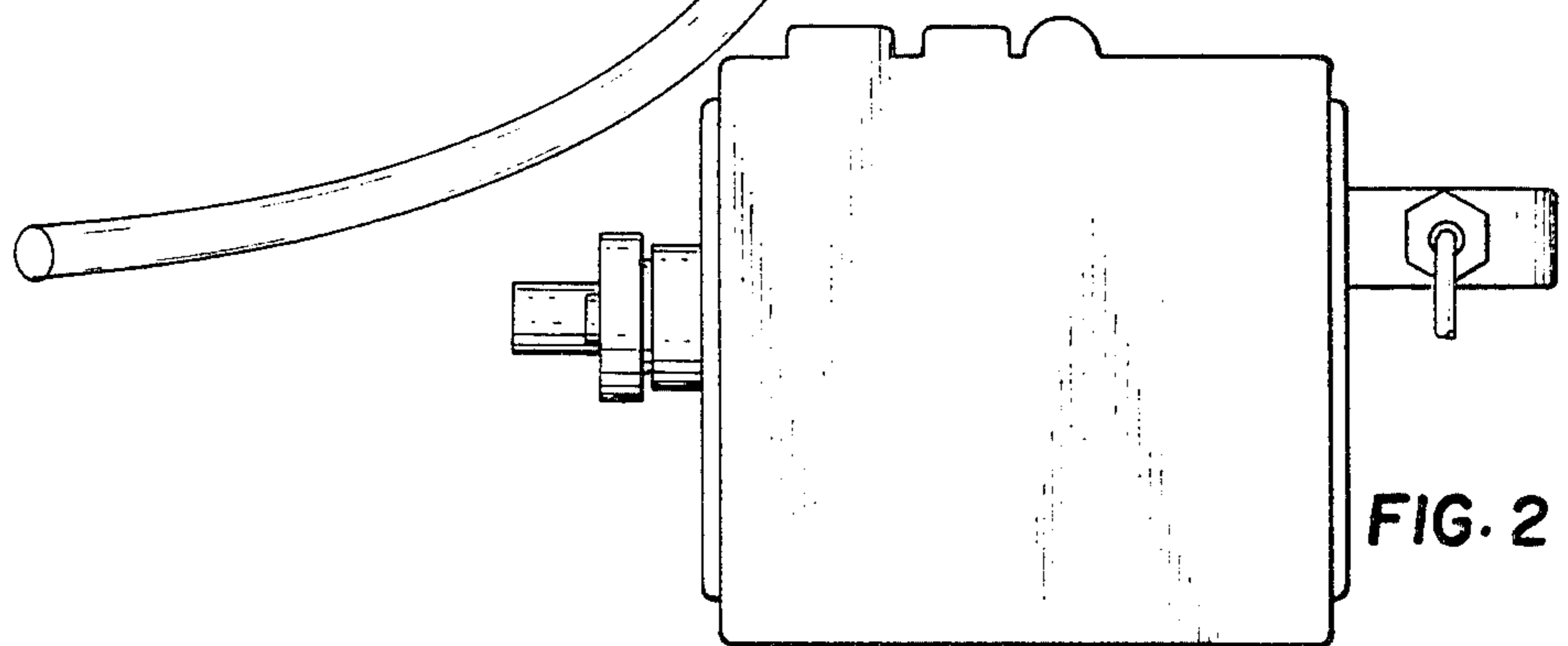


FIG. 2

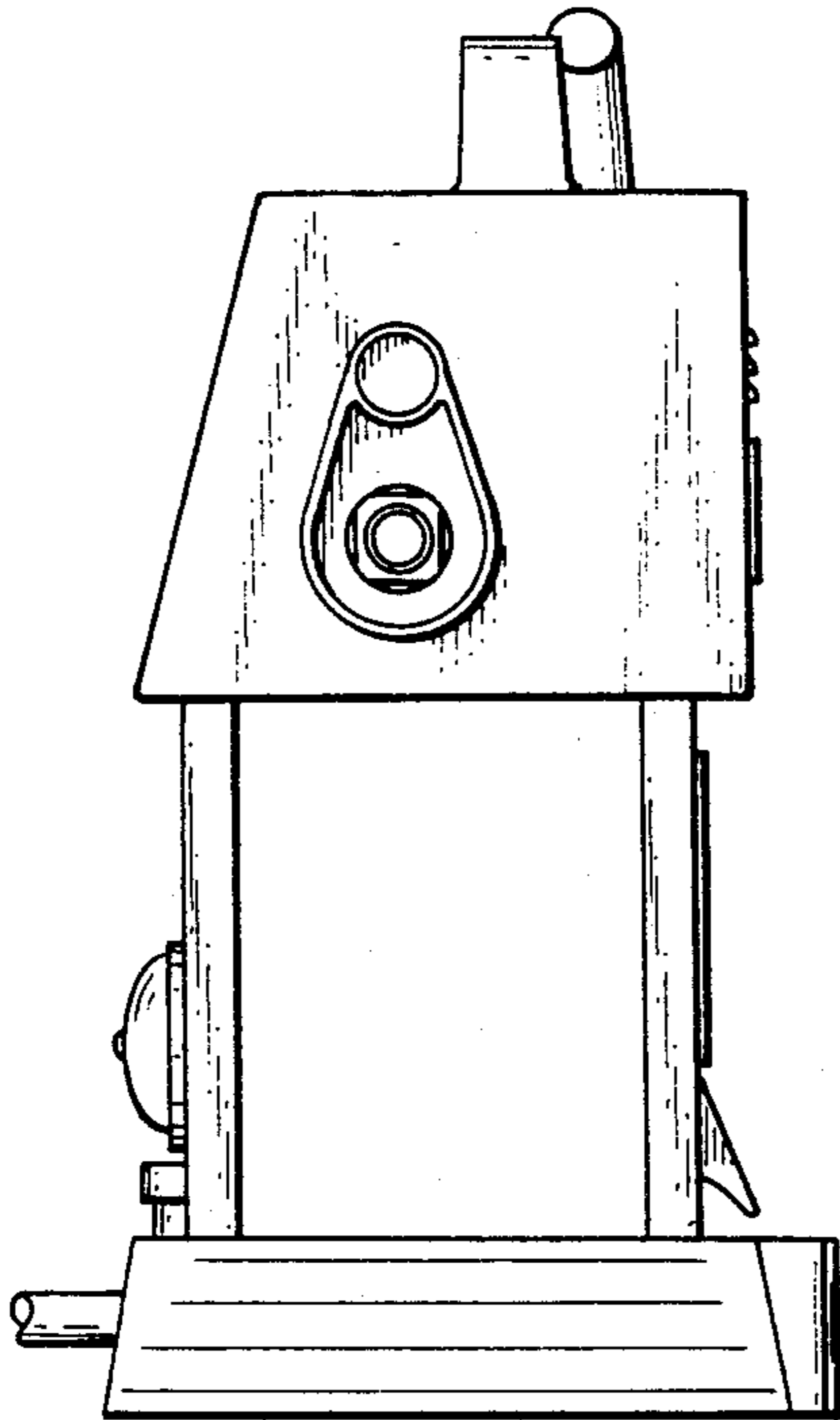


FIG. 3

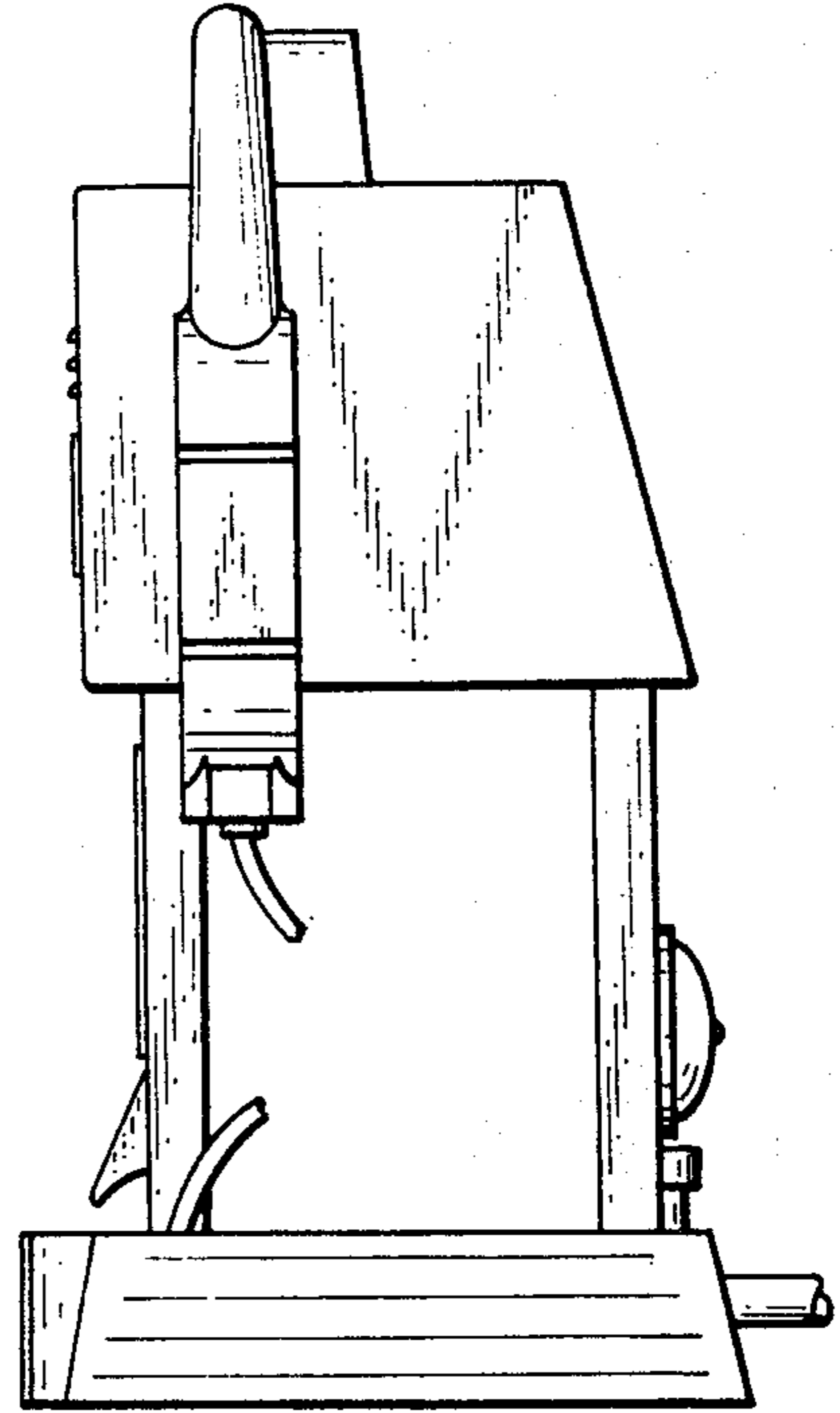


FIG. 4

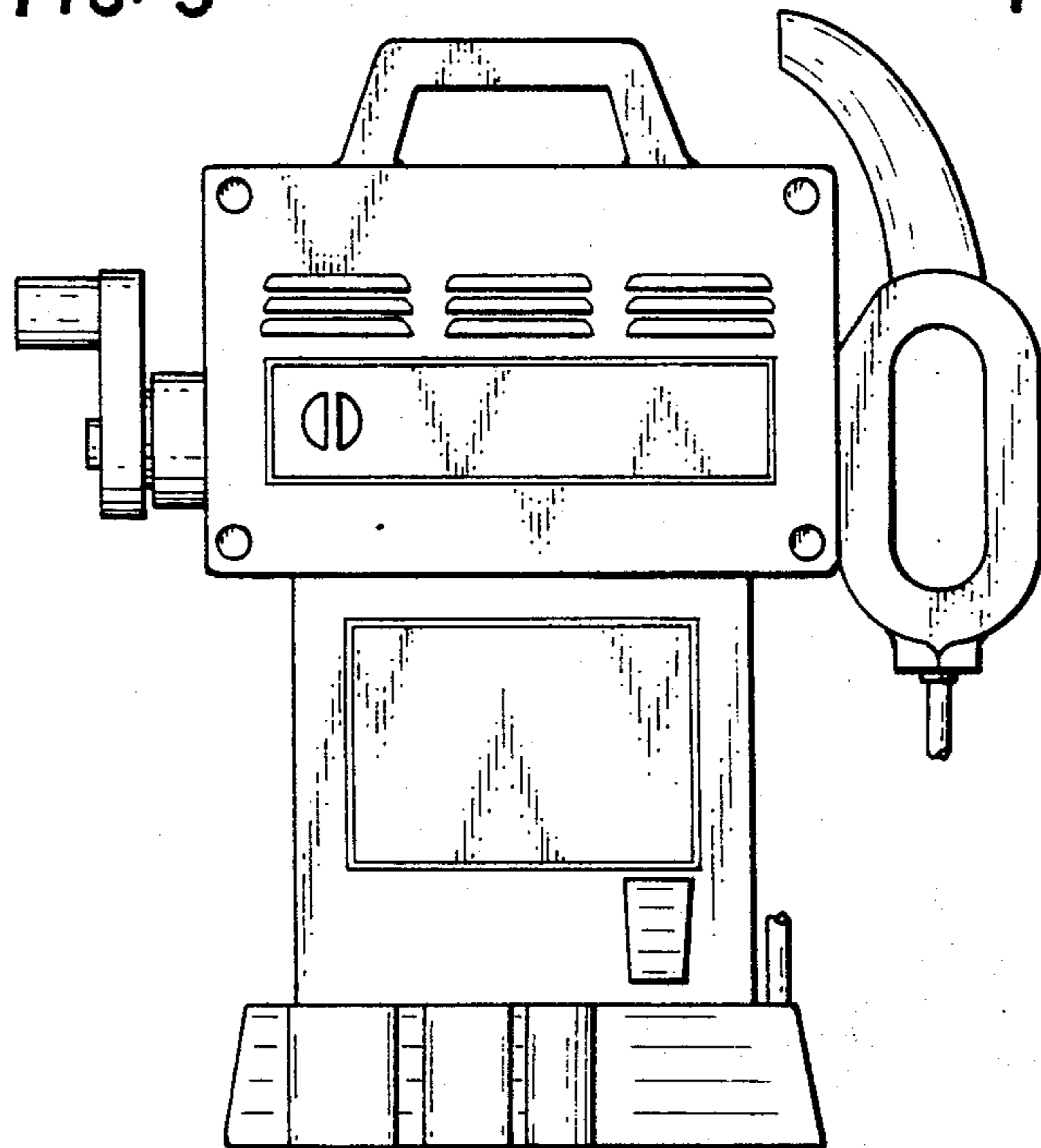


FIG. 5