

[54] MICROSCOPE

D. 269,682 7/1983 Yokota D16/131

[75] Inventors: Werner Hoelbl; Georg N. Nyman; Karl Moser, all of Vienna, Austria

Primary Examiner—A. Hugo Word
Assistant Examiner—Horace B. Fay
Attorney, Agent, or Firm—Alan H. Spencer; Stephen Raines

[73] Assignee: C. Reichert Optische Werke AG, Vienna, Austria

[57] CLAIM

[**] Term: 14 Years

The ornamental design for a microscope, as shown and described.

[21] Appl. No.: 464,170

DESCRIPTION

[22] Filed: Feb. 7, 1983

[52] U.S. Cl. D16/131

FIG. 1 is a right side elevational view of a microscope showing our new design;

[58] Field of Search D16/131, 130-135; 350/508

FIG. 2 is a left side elevational view;

FIG. 3 is a top plan view;

FIG. 4 is a front elevational view;

FIG. 5 is a rear elevational view;

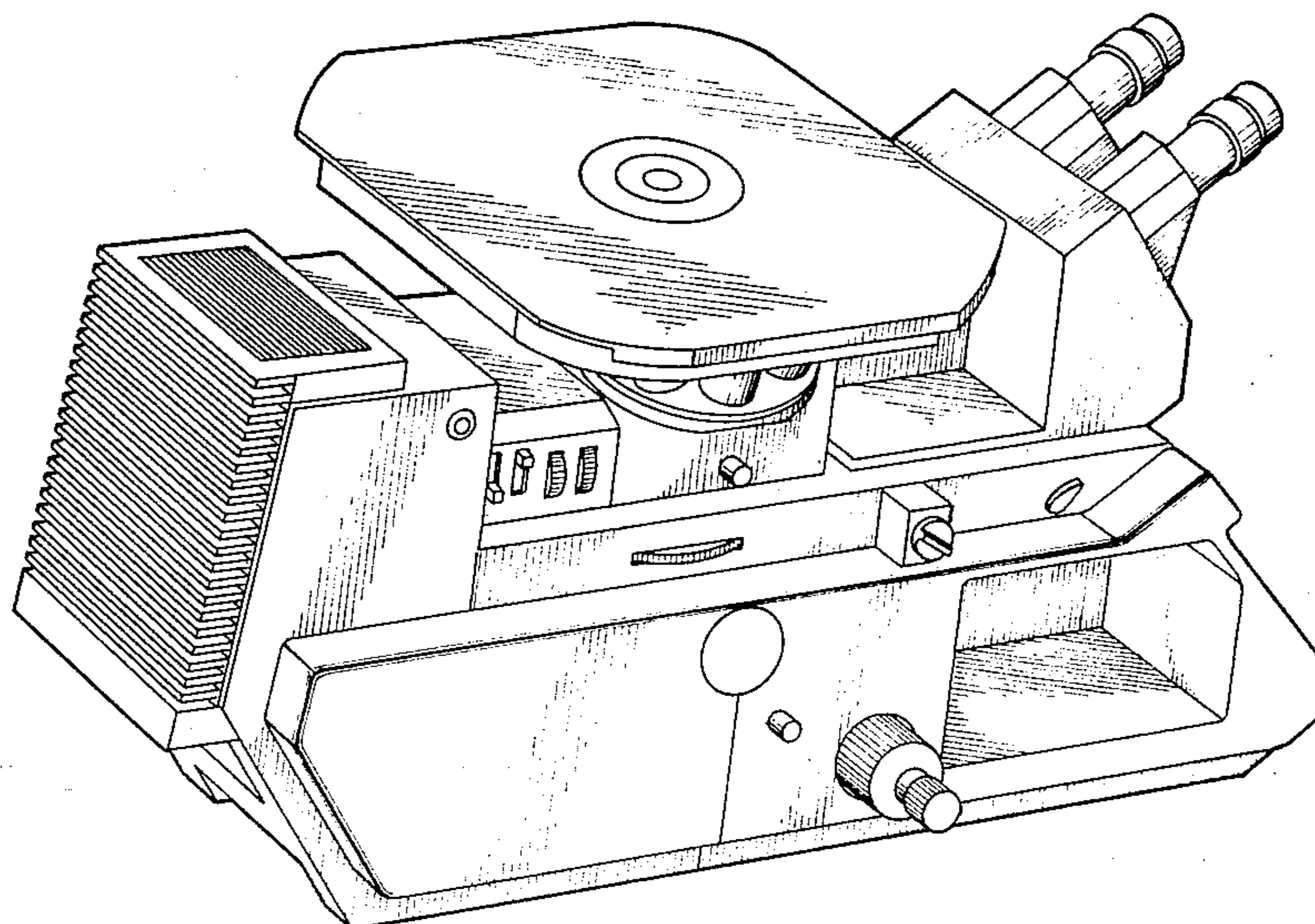
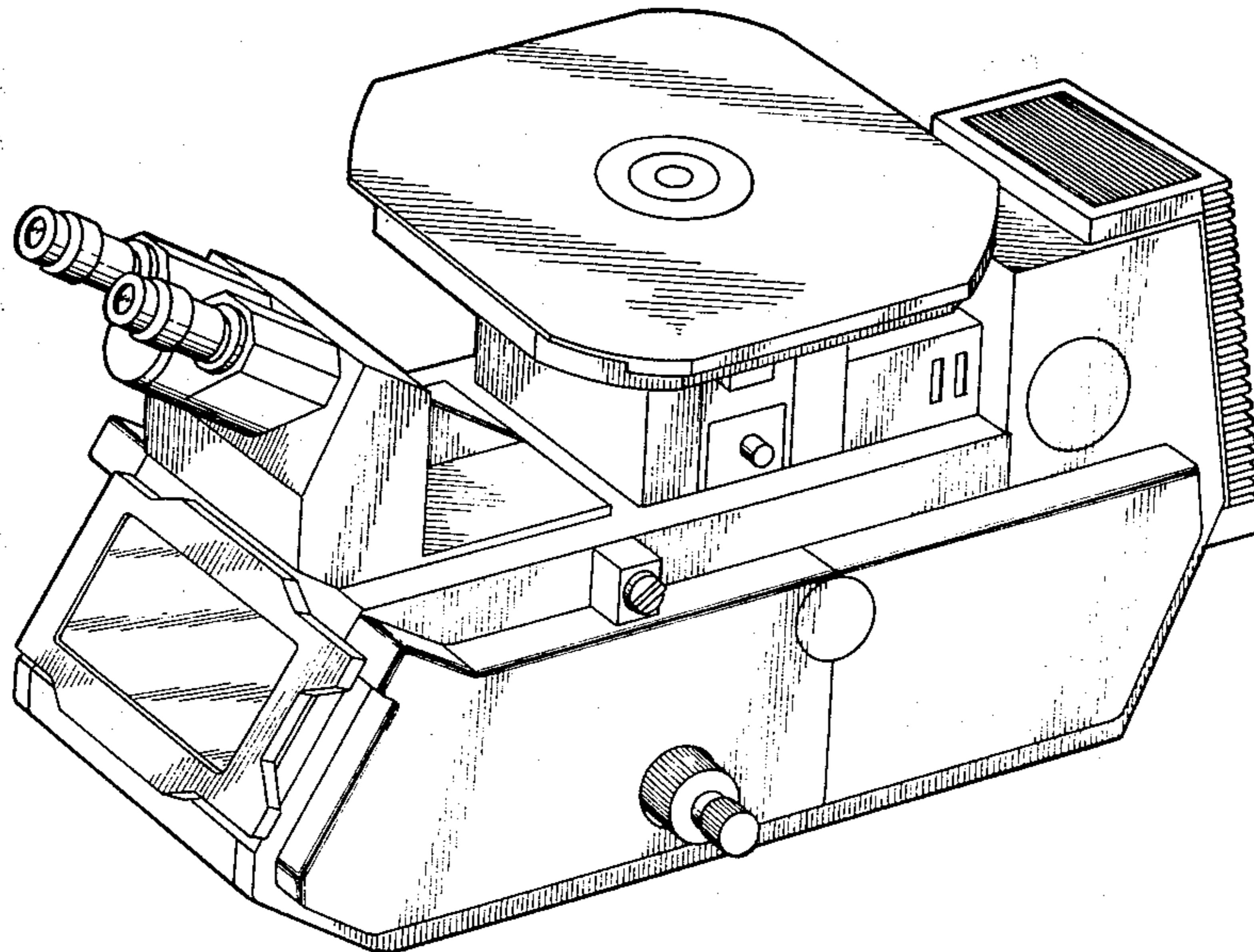
FIG. 6 is a front, top and one side perspective view thereof; and

FIG. 7 is a rear, top and opposite side perspective view thereof.

[56] References Cited

U.S. PATENT DOCUMENTS

- D. 163,437 5/1951 Armbruster et al. D16/131
- D. 171,302 1/1954 Leitz et al. D16/131
- D. 229,581 12/1973 Armbruster et al. D16/131
- D. 233,455 10/1974 Matteo D16/131



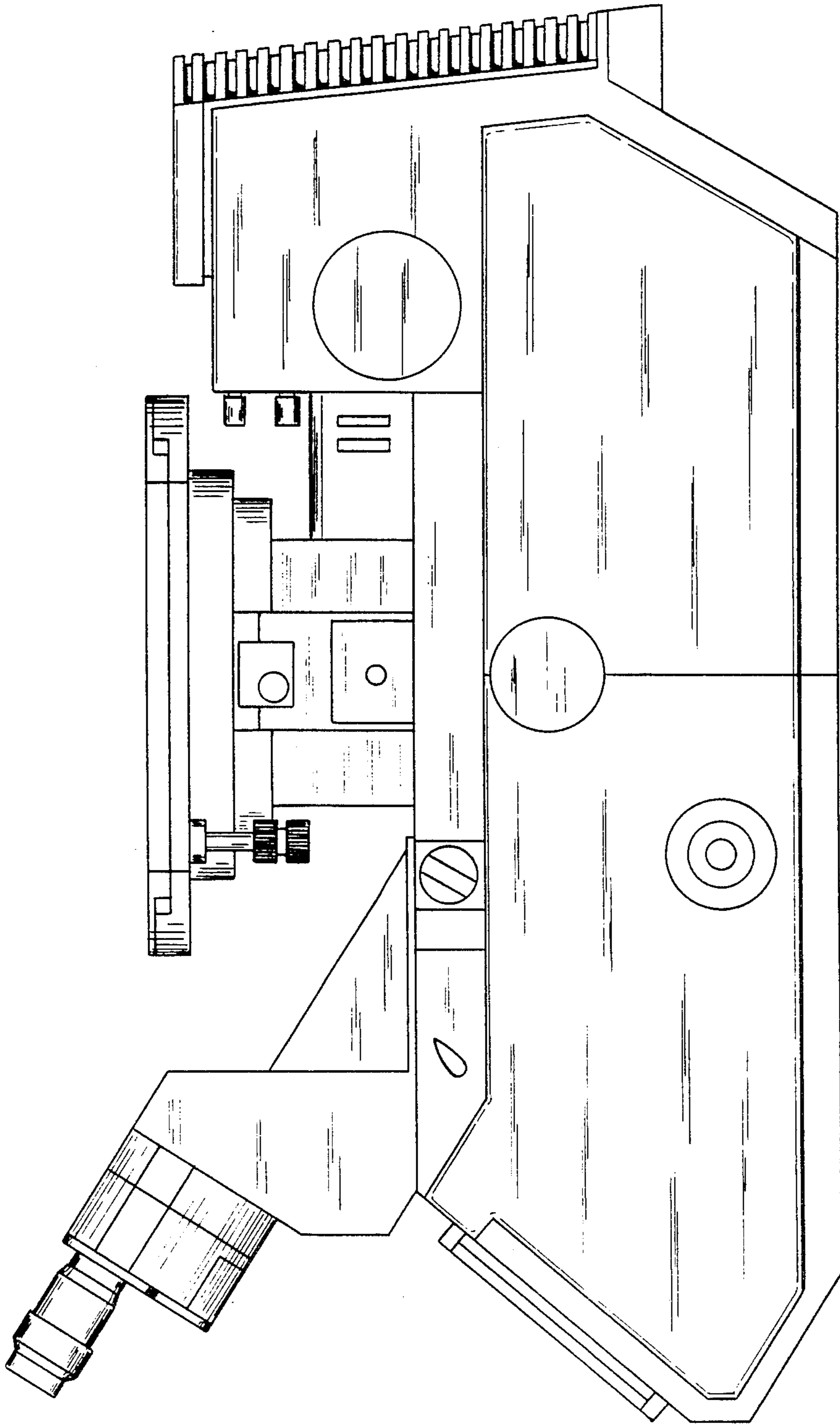


FIG. 1

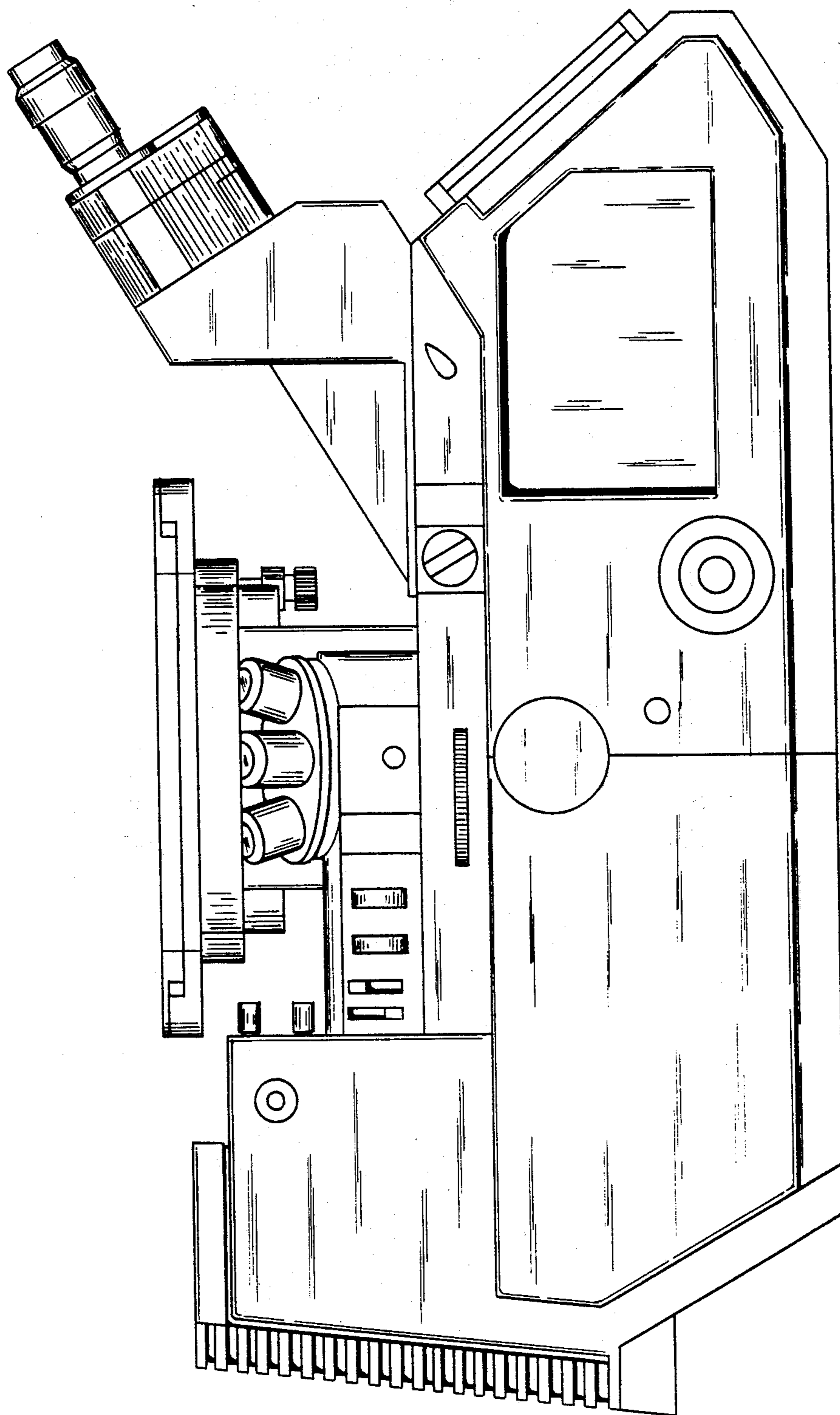


FIG. 2

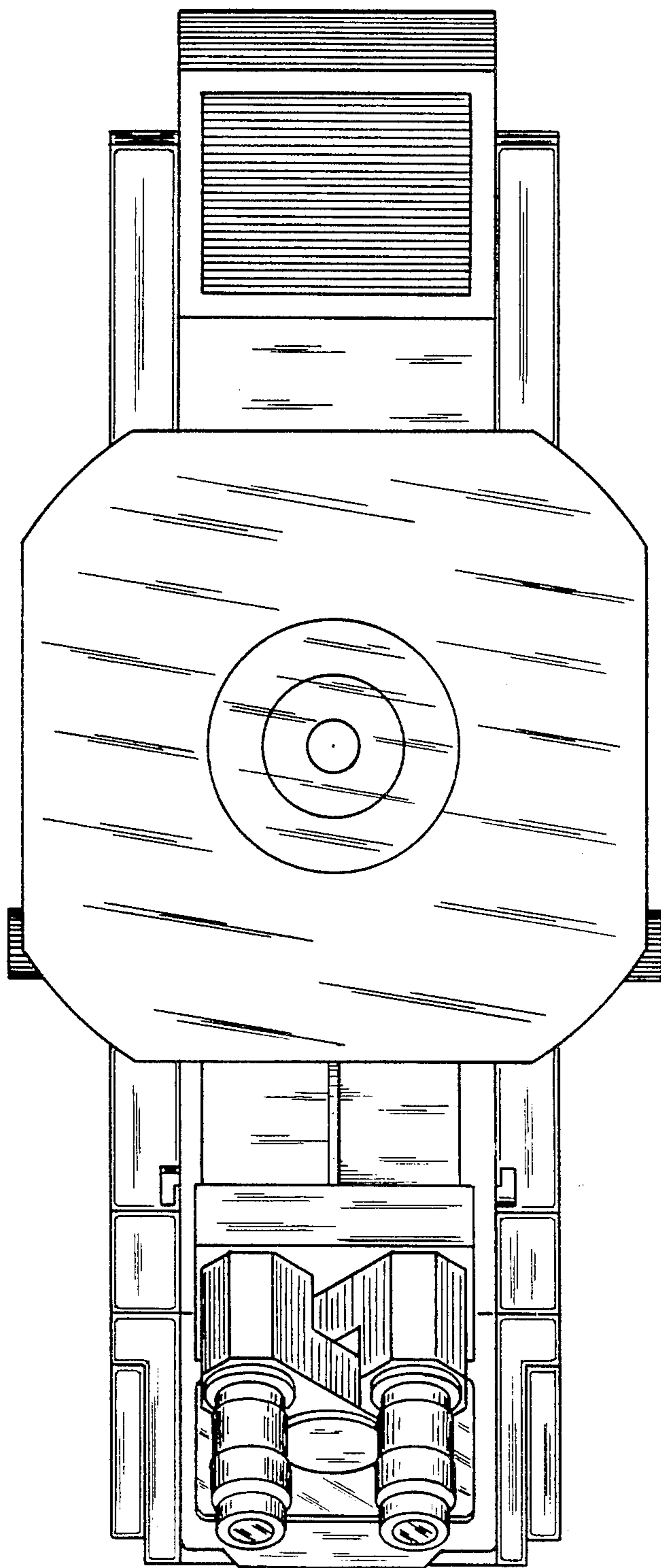


FIG. 3

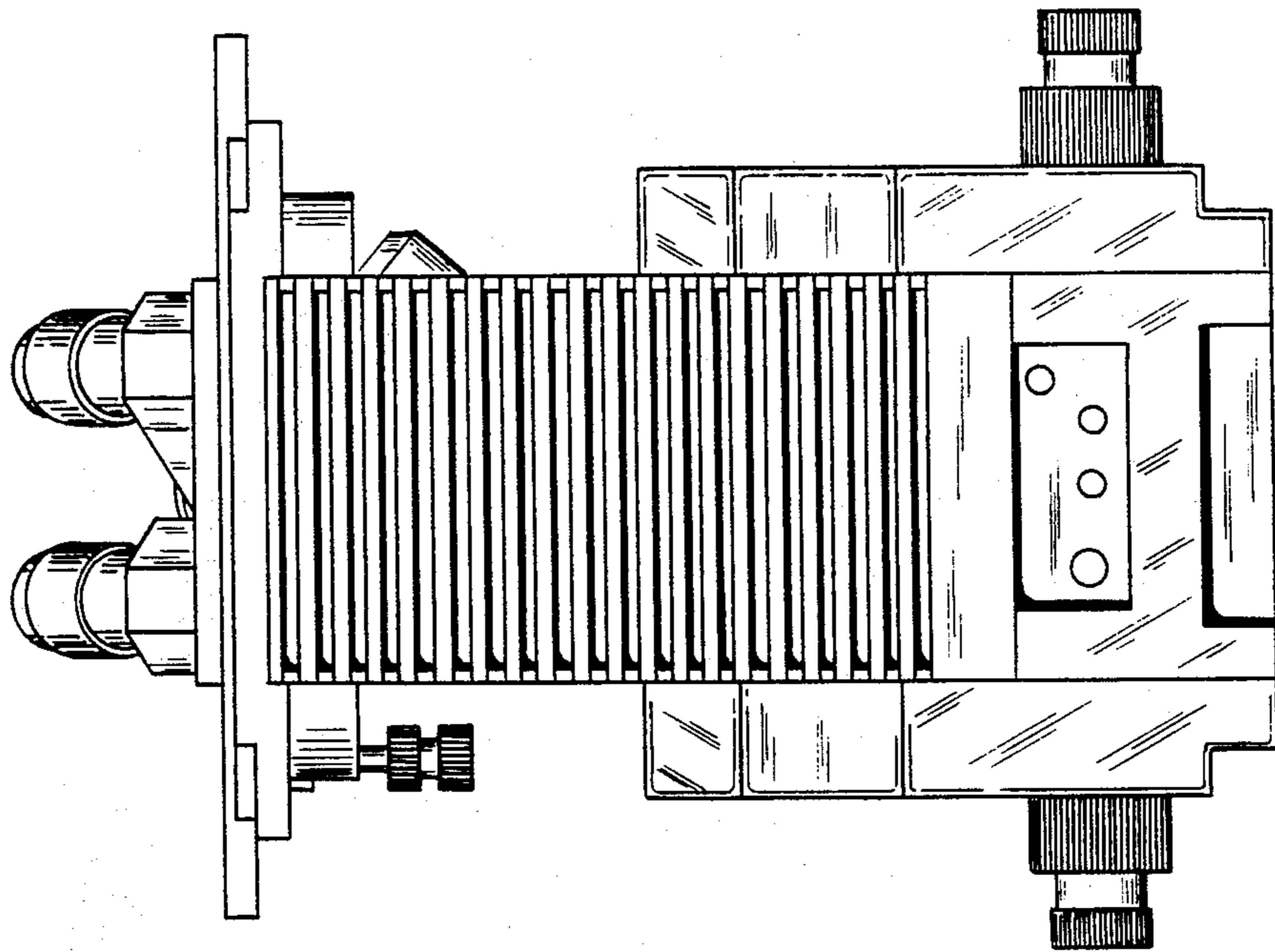


FIG. 5

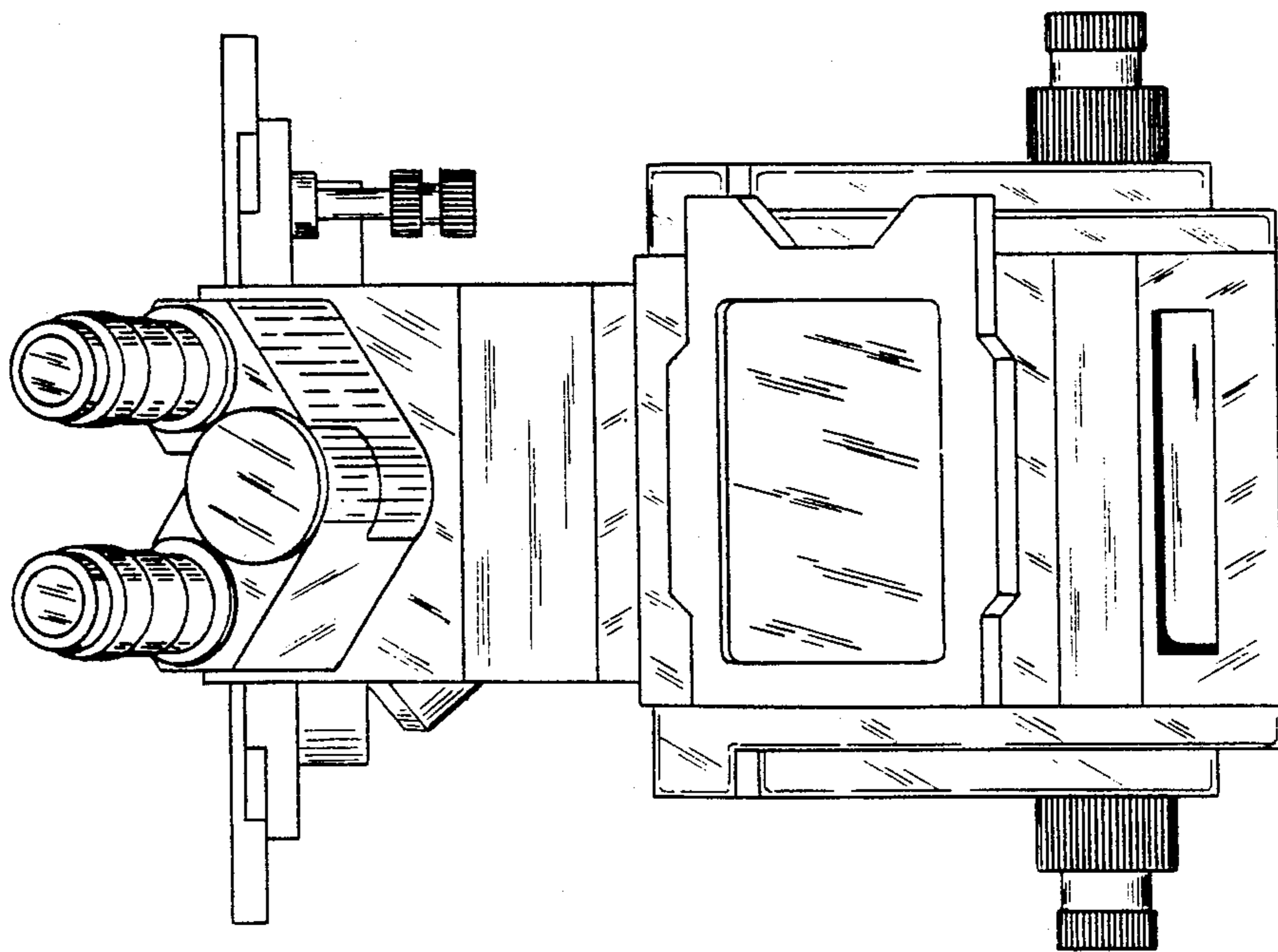


FIG. 4

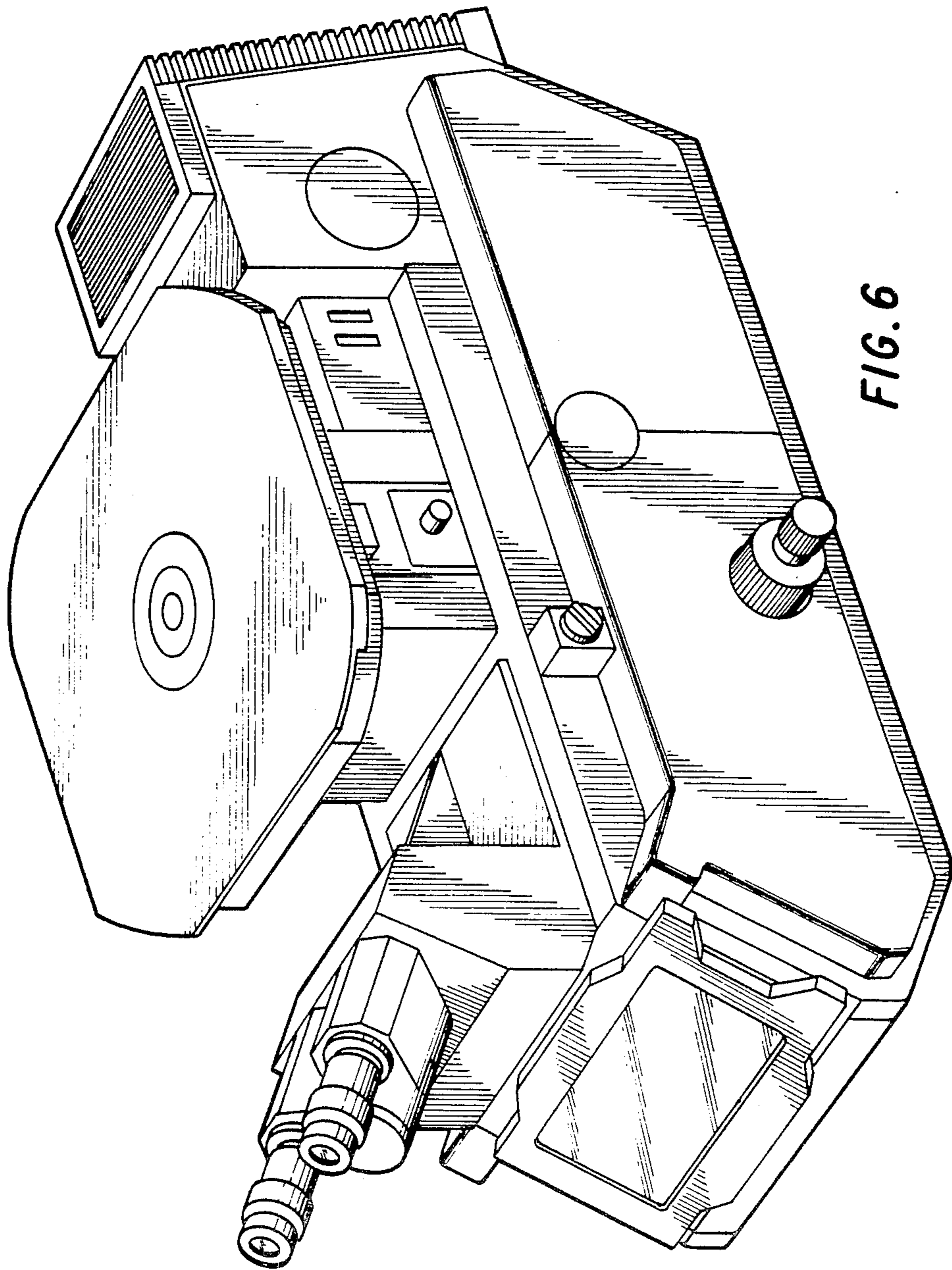


FIG. 6

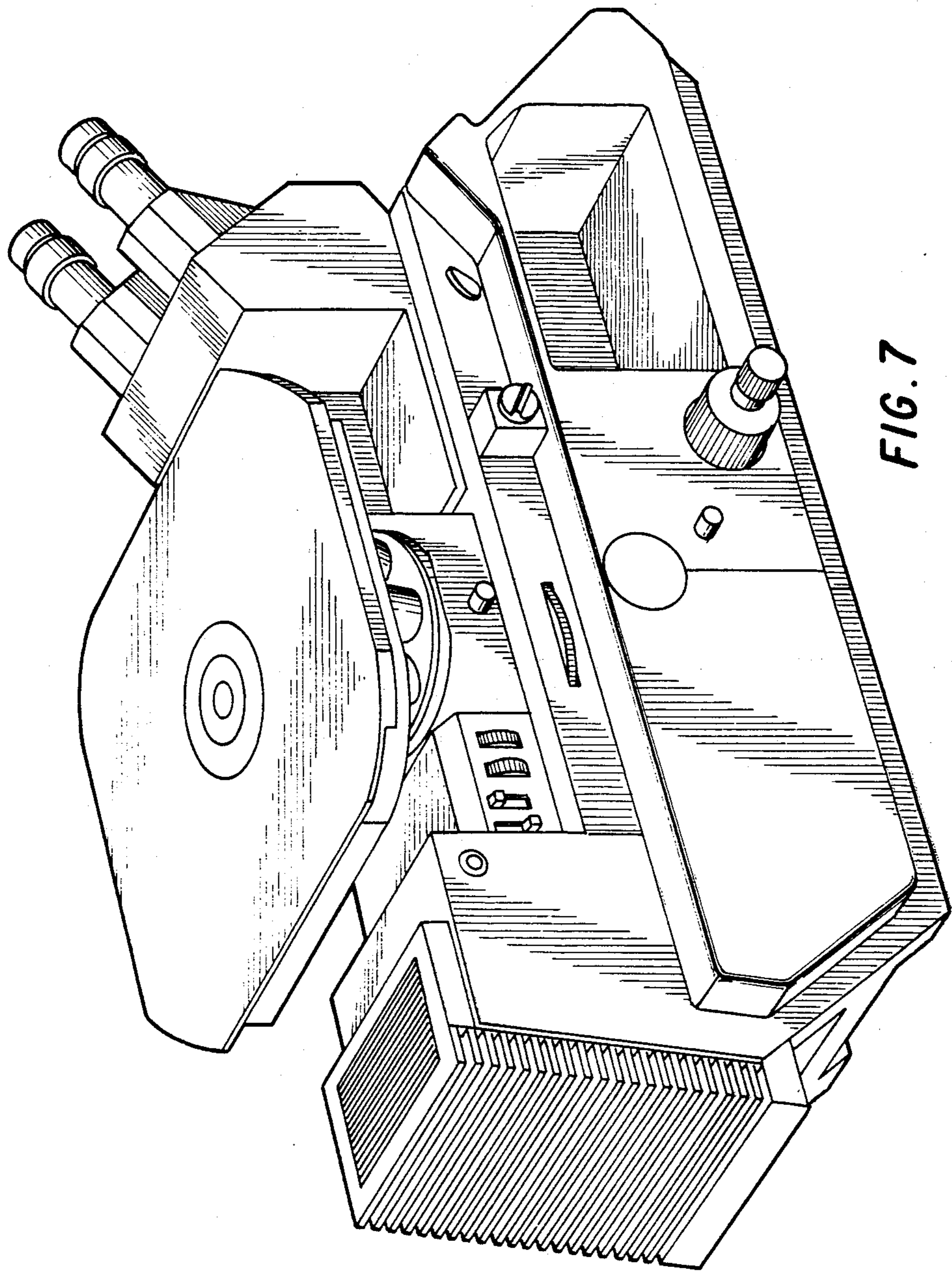


FIG. 7