

[54] COMBINED CLAMP AND TABLE STAND FOR PHOTOGRAPHY

[75] Inventor: Rudolph Hanke, Monheim, Fed. Rep. of Germany

[73] Assignee: Hama Hamaphot KG Hanke & Thomas, Monheim, Fed. Rep. of Germany

[**] Term: 14 Years

[21] Appl. No.: 377,329

[22] Filed: May 12, 1982

[52] U.S. Cl. D16/45; D8/73

[58] Field of Search D16/44-47; D8/73; 248/DIG. 12, 126, 165, 169, 229, 231.7, 226.4, 181

[56] References Cited

U.S. PATENT DOCUMENTS

D. 222,118	9/1971	Nakatani	D16/45
D. 257,260	10/1980	Shiraishi	D16/45
2,650,788	9/1953	Hulstein	248/181 X
2,896,896	7/1959	Reuzin	D8/73 X
3,908,945	9/1975	Shapiro	248/181 X
3,921,947	11/1975	Adam	248/169

4,214,724 7/1980 Geiger 248/181 X

FOREIGN PATENT DOCUMENTS

612722	5/1935	Fed. Rep. of Germany	... 248/DIG. 12
1070193	7/1954	France 248/226.4
213760	6/1941	Switzerland 248/126
10844	of 1887	United Kingdom 248/231.7

Primary Examiner—Nelson C. Holtje
Attorney, Agent, or Firm—Marshall, O'Toole, Gerstein, Murray & Bicknell

[57] CLAIM

The ornamental design for a combined clamp and table stand for photography, substantially as shown and described in FIGS. 1 to 4.

DESCRIPTION

FIG. 1 is a top and right front perspective view of a combined clamp and table stand for photography showing my new design;
FIG. 2 is a bottom and left rear perspective view thereof;
FIG. 3 is a top and right front perspective view thereof with the support legs in the extended position;
FIG. 4 is a bottom plan view of FIG. 3.

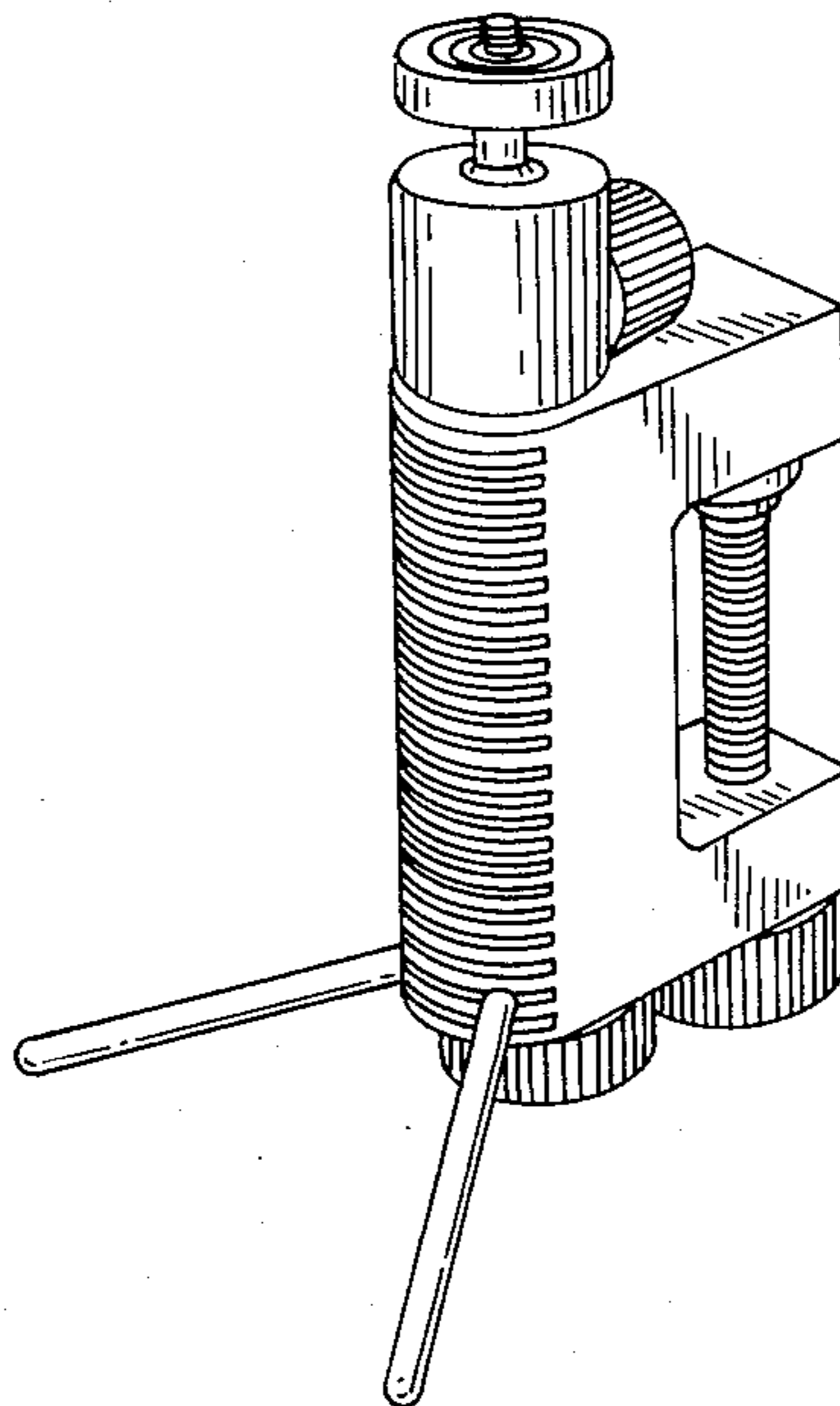


FIG. 1

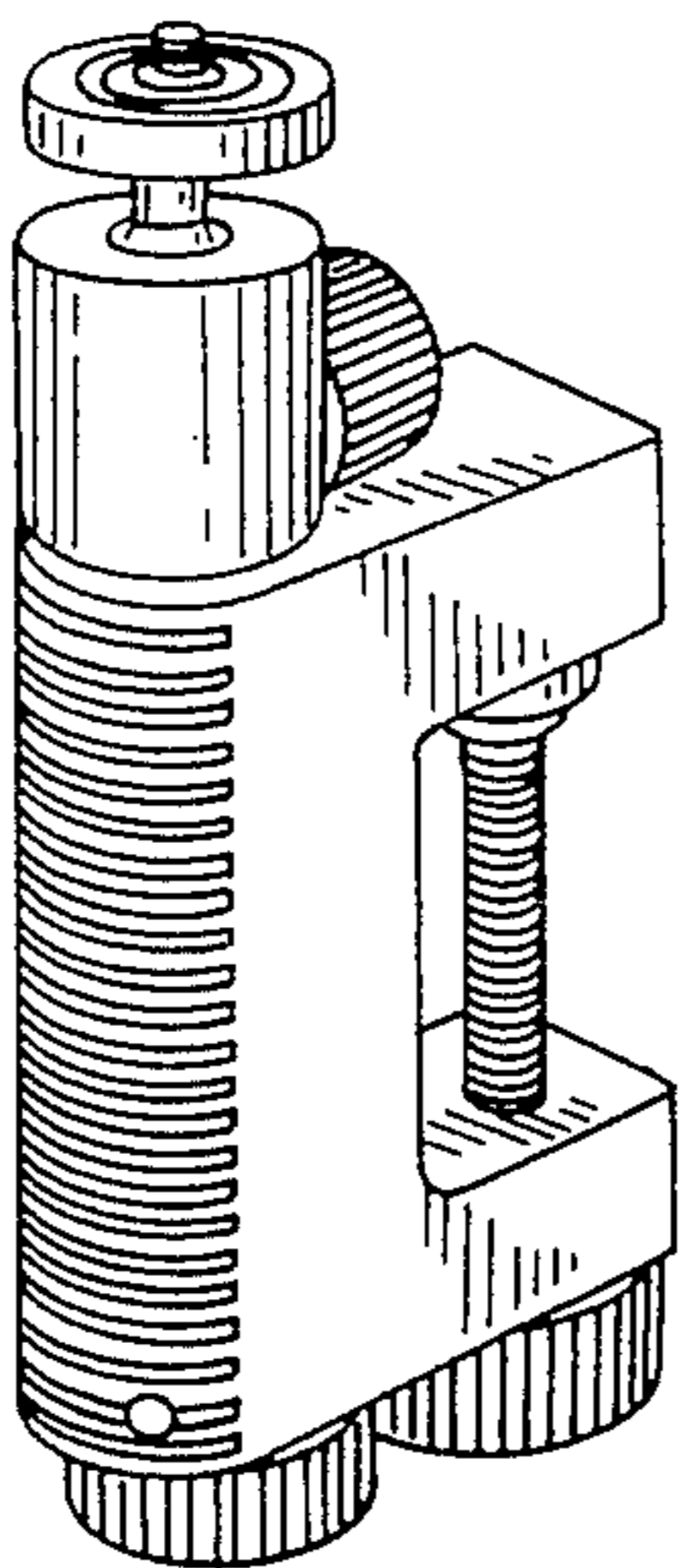


FIG. 2

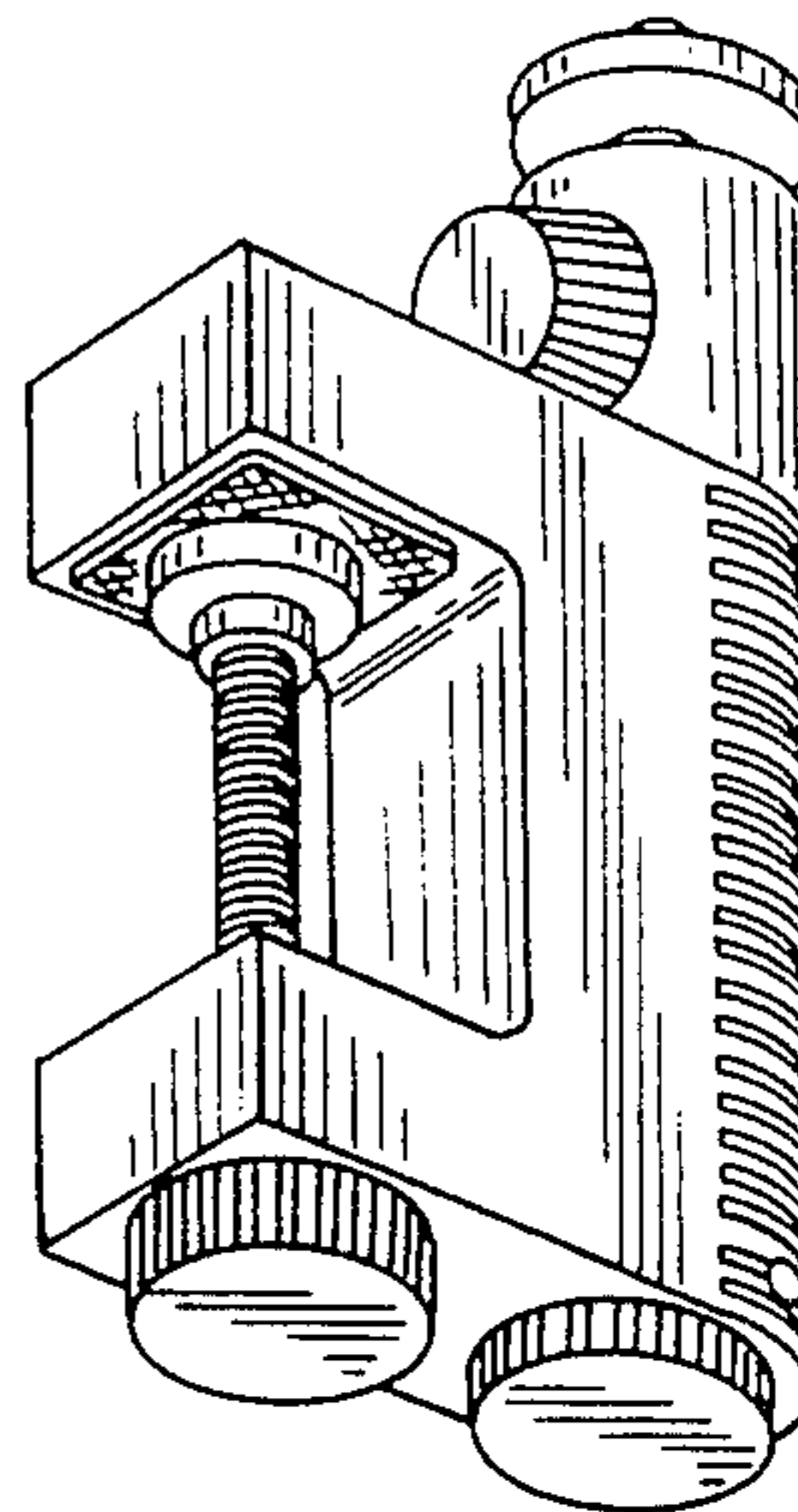


FIG. 3

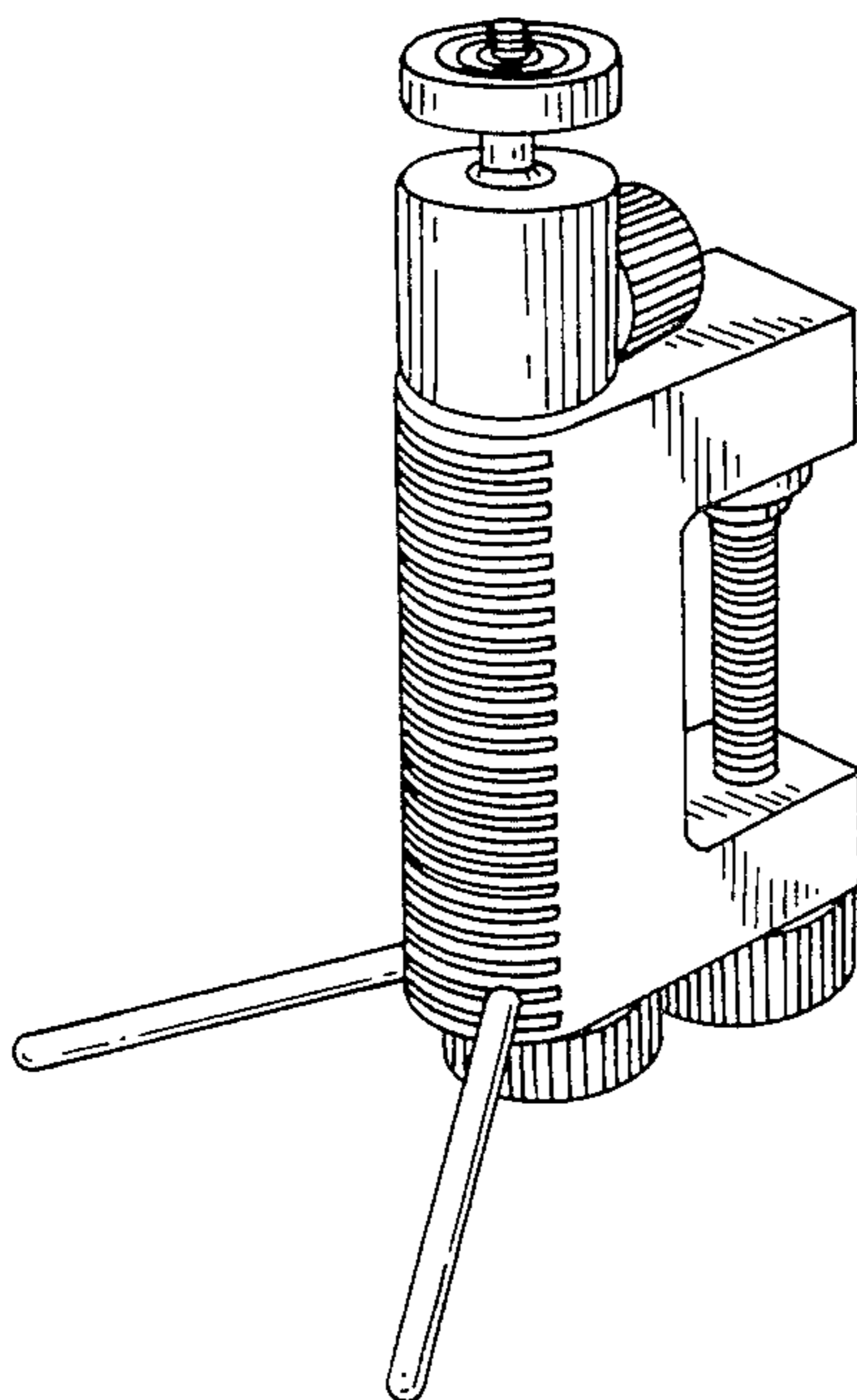


FIG. 4

