

[54] HAND OPERABLE SEWING MACHINE

[75] Inventors: Michael E. Laude, Danbury; Thomas J. Pendleton, N. Wilton, both of Conn.; Douglas W. Smith, Belle Mead, N.J.; Robert E. Dawson, Ridgefield, Conn.; Andrew J. Blance, Rye, N.Y.

[73] Assignee: The Singer Company, Stamford, Conn.

[\*\*] Term: 14 Years

[21] Appl. No.: 457,841

[22] Filed: Jan. 14, 1983

[52] U.S. Cl. .... D15/69

[58] Field of Search ..... D15/69, 66, 70; 112/63, 112/258-261, 80, 154, 169, 199, 197, 165, 166, 110, 111, 112

[56] References Cited

U.S. PATENT DOCUMENTS

- D. 197,354 1/1964 Carmichael ..... D15/66
- D. 234,634 3/1975 Doyel ..... D15/70

- 2,639,683 5/1953 Huntington ..... 112/169
- 3,165,080 1/1965 Castelletti ..... 112/169
- 3,837,306 9/1974 Doyel ..... 112/169
- 4,401,043 8/1983 Peterson ..... 112/169 X

FOREIGN PATENT DOCUMENTS

- 1164030 10/1958 France ..... 112/169

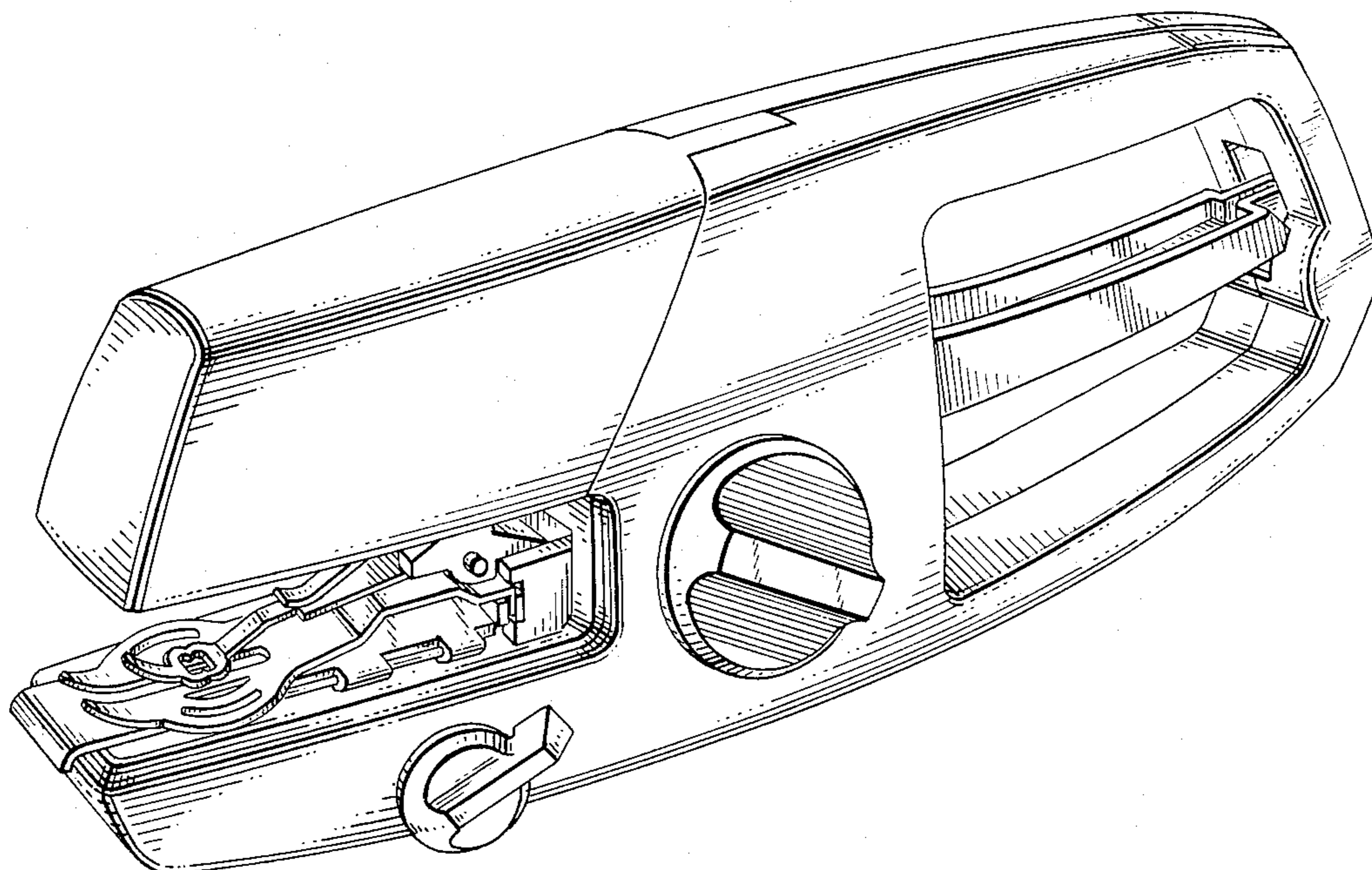
Primary Examiner—Bernard Ansher  
Assistant Examiner—Linda Titolo  
Attorney, Agent, or Firm—William V. Ebs; Robert E. Smith; Edward L. Bell

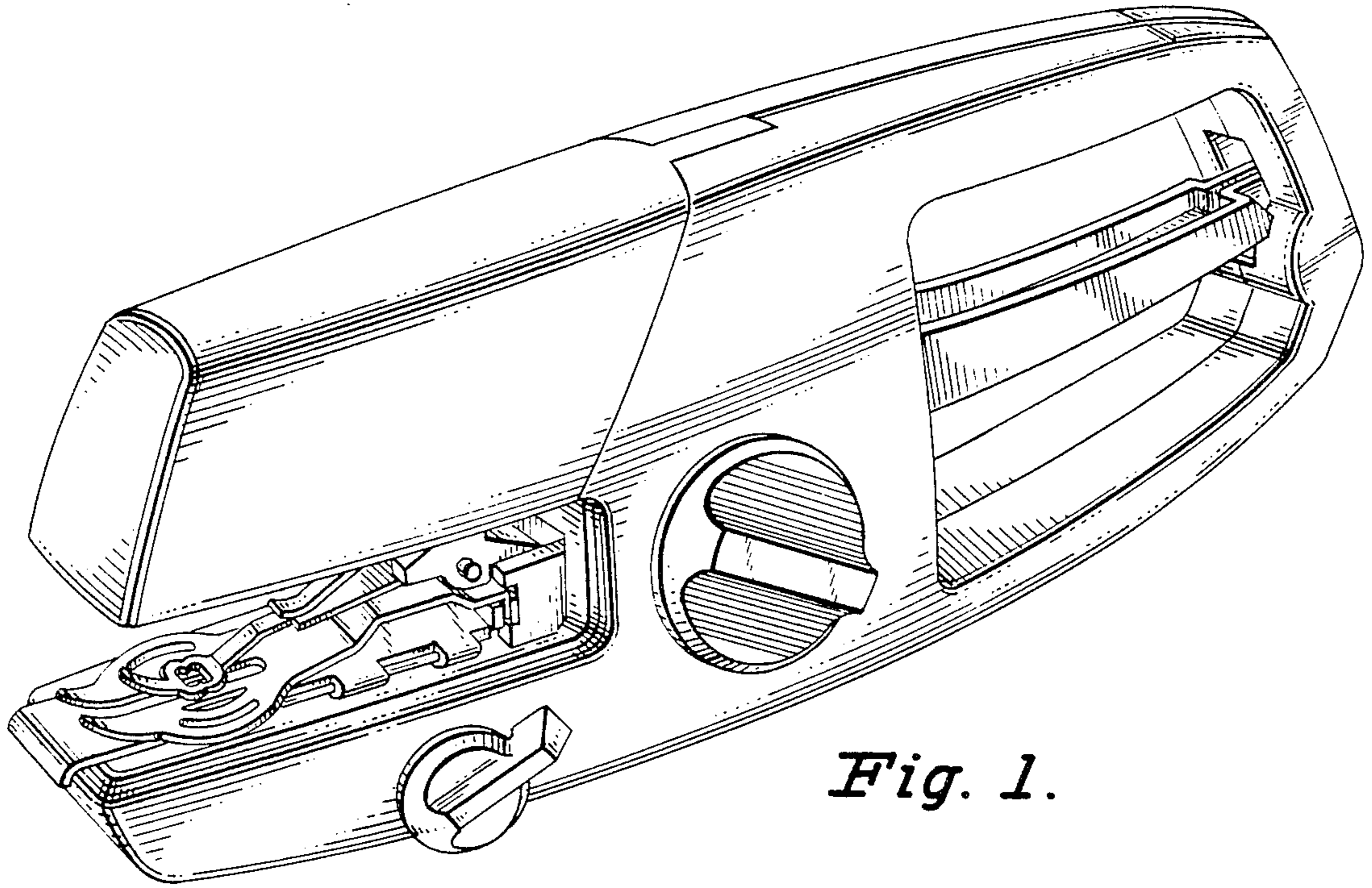
[57] CLAIM

The ornamental design for a hand operable sewing machine, substantially as shown and described.

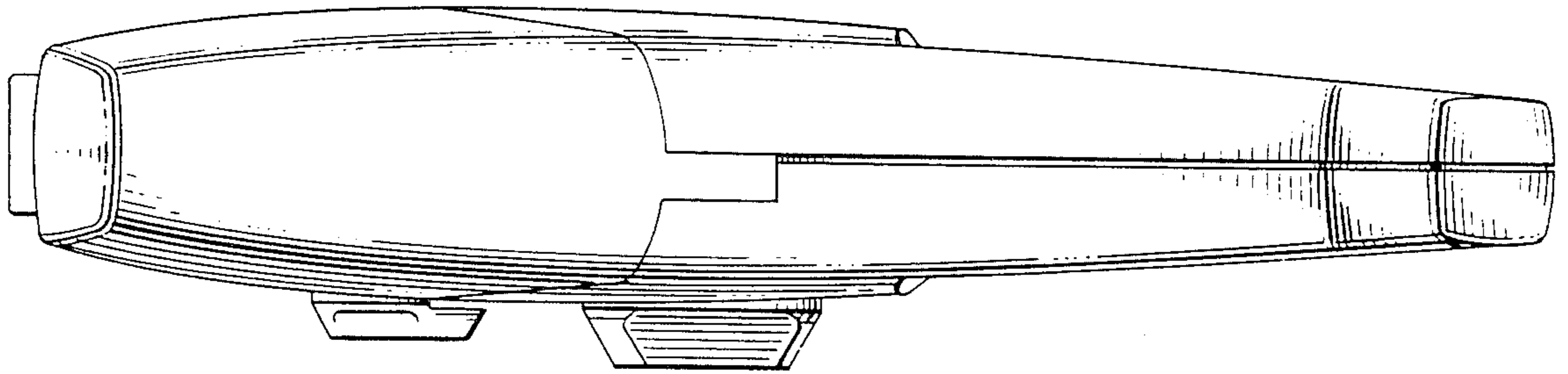
DESCRIPTION

FIG. 1 is a perspective view of a hand operable sewing machine showing our new design; FIG. 2 is a right side elevational view thereof; FIG. 3 is a left side elevational view thereof; FIG. 4 is a top plan view thereof; FIG. 5 is a front elevational view thereof; FIG. 6 is a rear elevational view thereof; and FIG. 7 is a bottom plan view thereof.

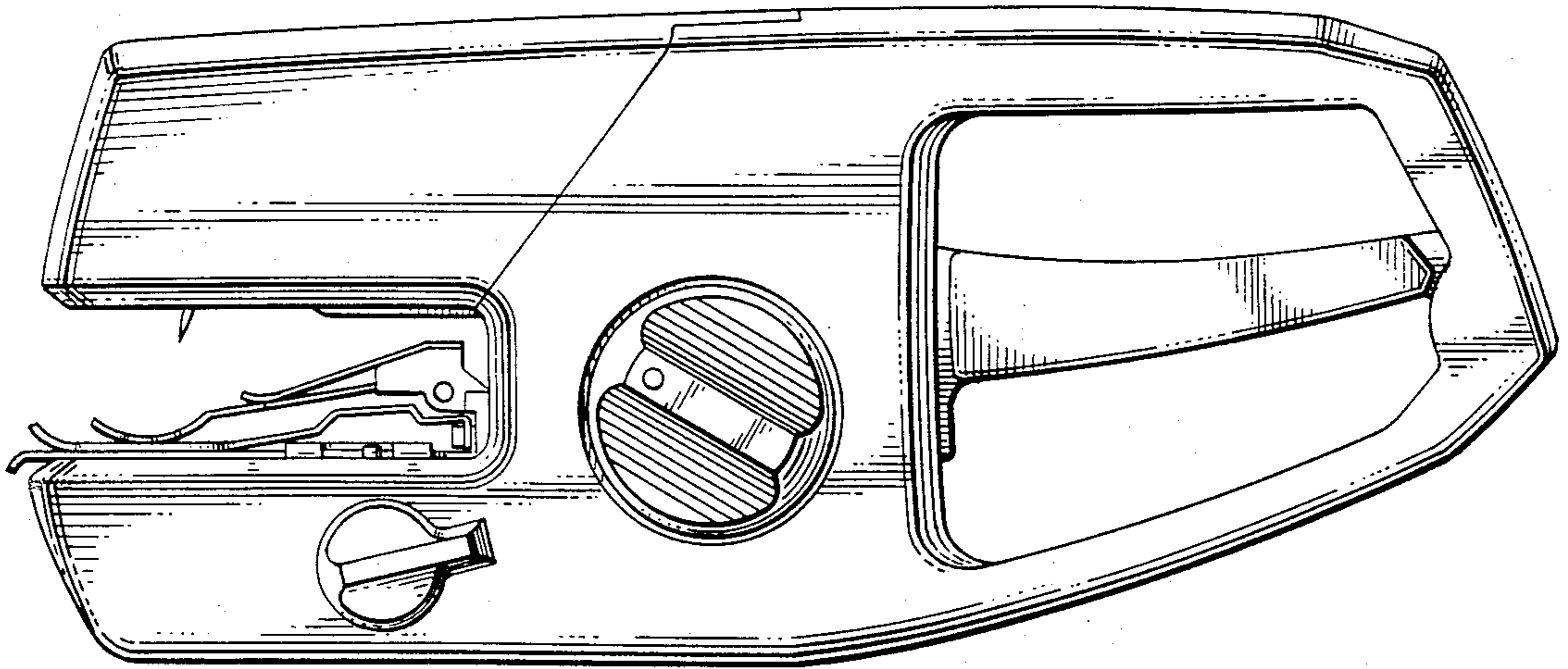




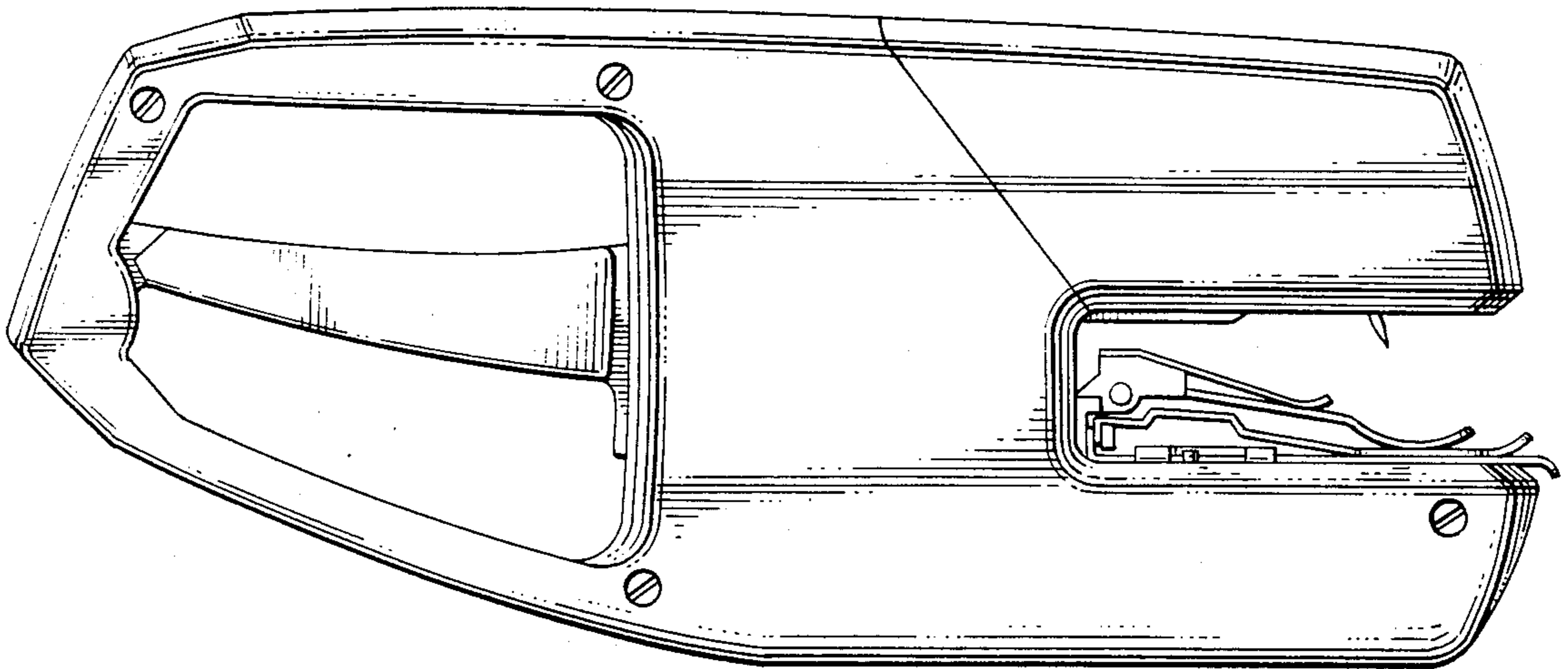
*Fig. 1.*



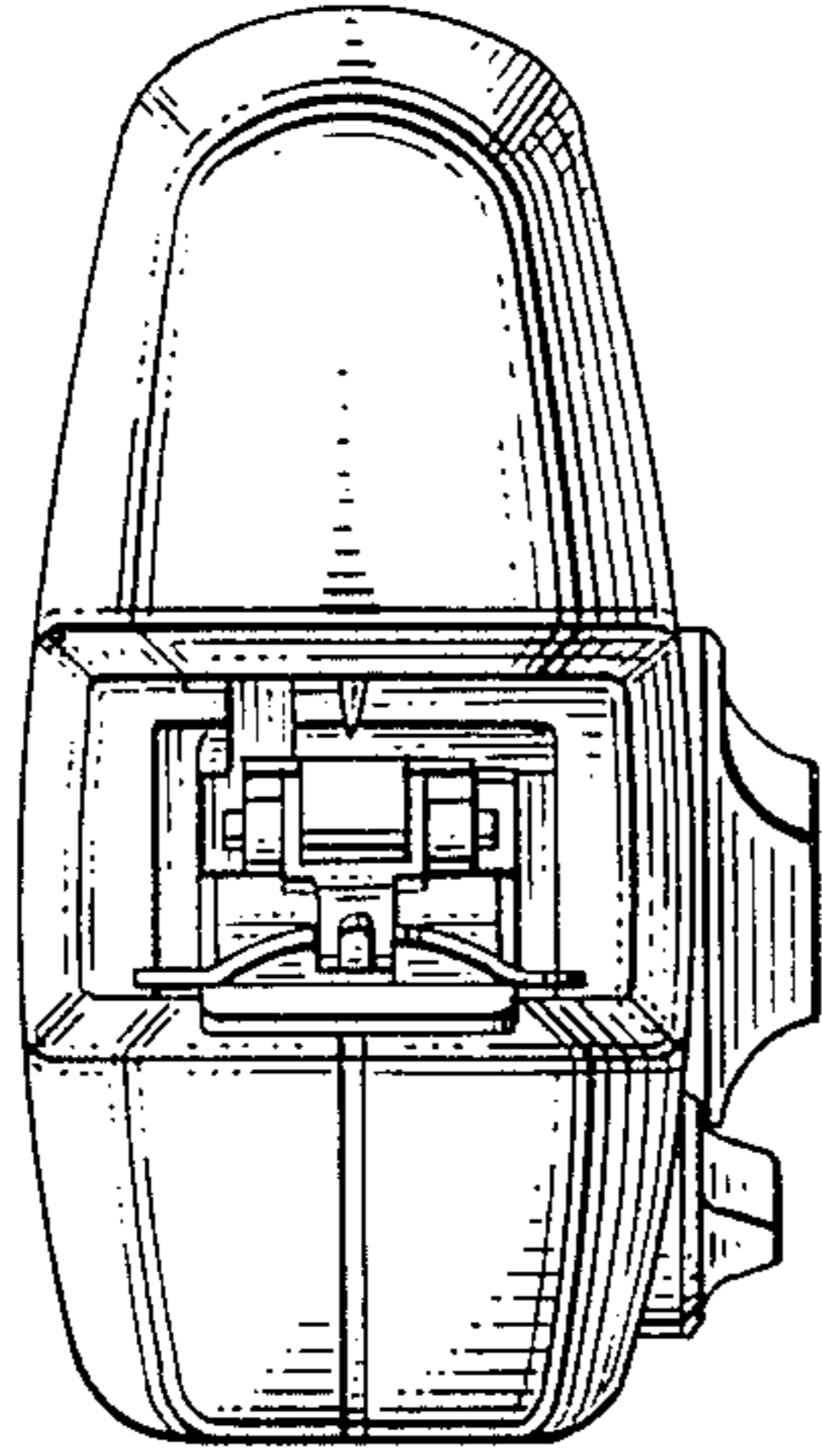
*Fig. 4.*



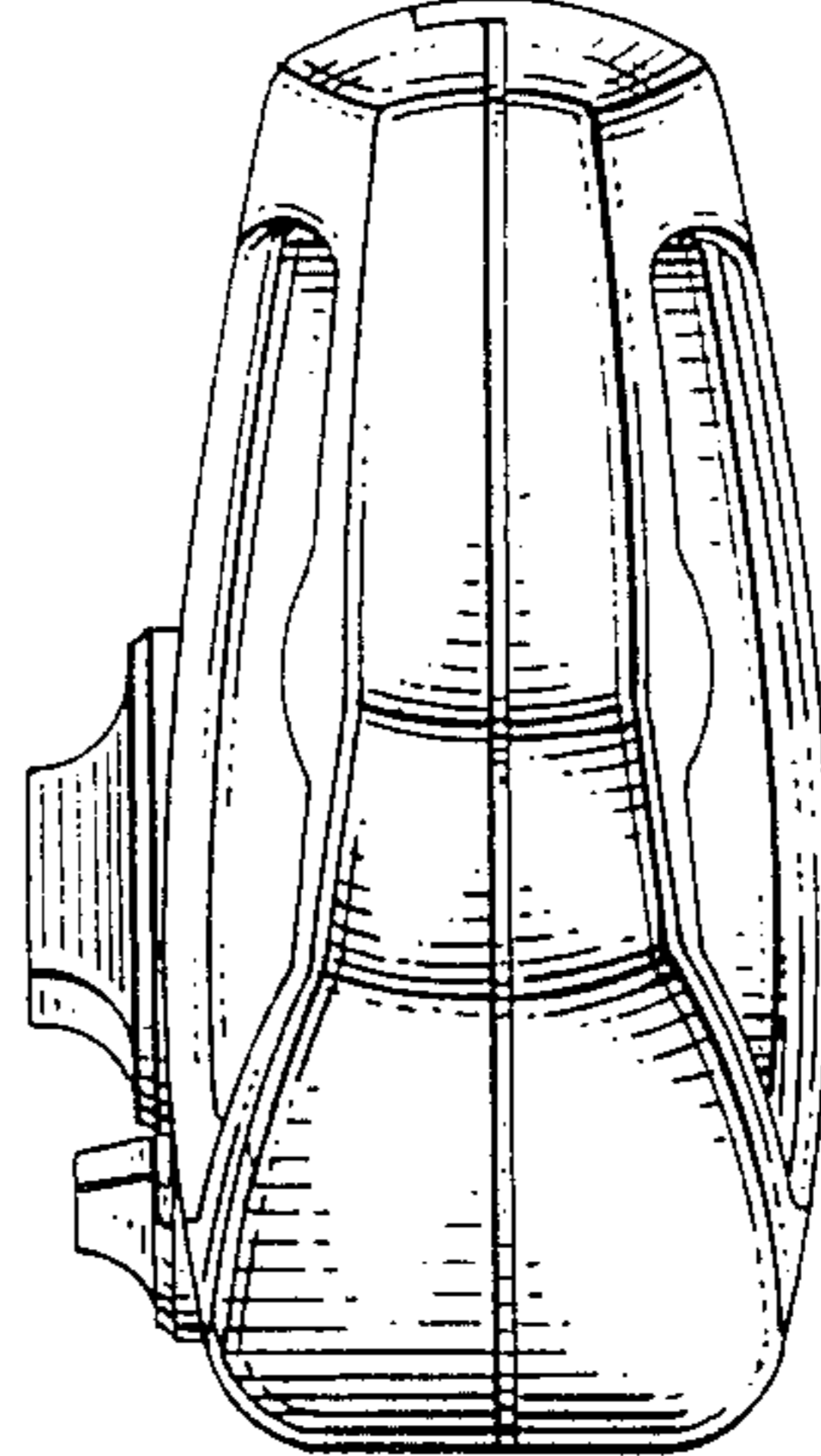
*Fig. 2.*



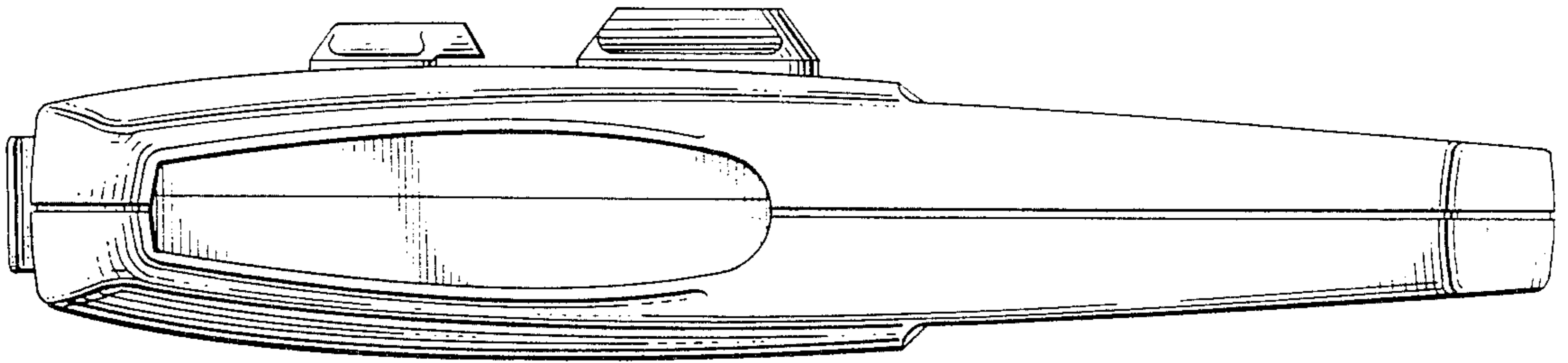
*Fig. 3.*



*Fig. 5.*



*Fig. 6.*



*Fig. 7.*