

[54] COMPUTER DISPLAY

D. 259,343 5/1981 Chamberlain et al. D14/113

[75] Inventors: Mitsuru Ohnuma, Tokyo; Kazuyuki Tsuburaya, Kodaira; Masato Tanitsu, Kokubunji, all of Japan

[73] Assignee: Hitachi, Ltd., Tokyo, Japan

[**] Term: 14 Years

[21] Appl. No.: 469,807

[22] Filed: Feb. 25, 1983

[30] Foreign Application Priority Data

Mar. 26, 1982 [JP] Japan 57-12219

[52] U.S. Cl. D14/113

[58] Field of Search D14/100-117, D14/77, 80, 81; 358/254; 340/700, 711, 365 R

[56] References Cited

U.S. PATENT DOCUMENTS

D. 249,344 9/1978 Zierhut D14/113

OTHER PUBLICATIONS

Design, 12-1980, p. 48, Convergent Technologies Display.

Design, 1-1981, p. 37, Nexos 2200 Display.

Primary Examiner—Susan J. Lucas

Attorney, Agent, or Firm—Antonelli, Terry & Wands

[57] CLAIM

The ornamental design for a computer display, as shown.

DESCRIPTION

FIG. 1 is a front, top and right side perspective view of a computer display showing our new design; FIG. 2 is a front elevational view thereof; FIG. 3 is a right side elevational view thereof; FIG. 4 is a rear elevational view thereof; FIG. 5 is a left side elevational view thereof; FIG. 6 is a top plan view thereof; and FIG. 7 is a bottom plan view thereof.

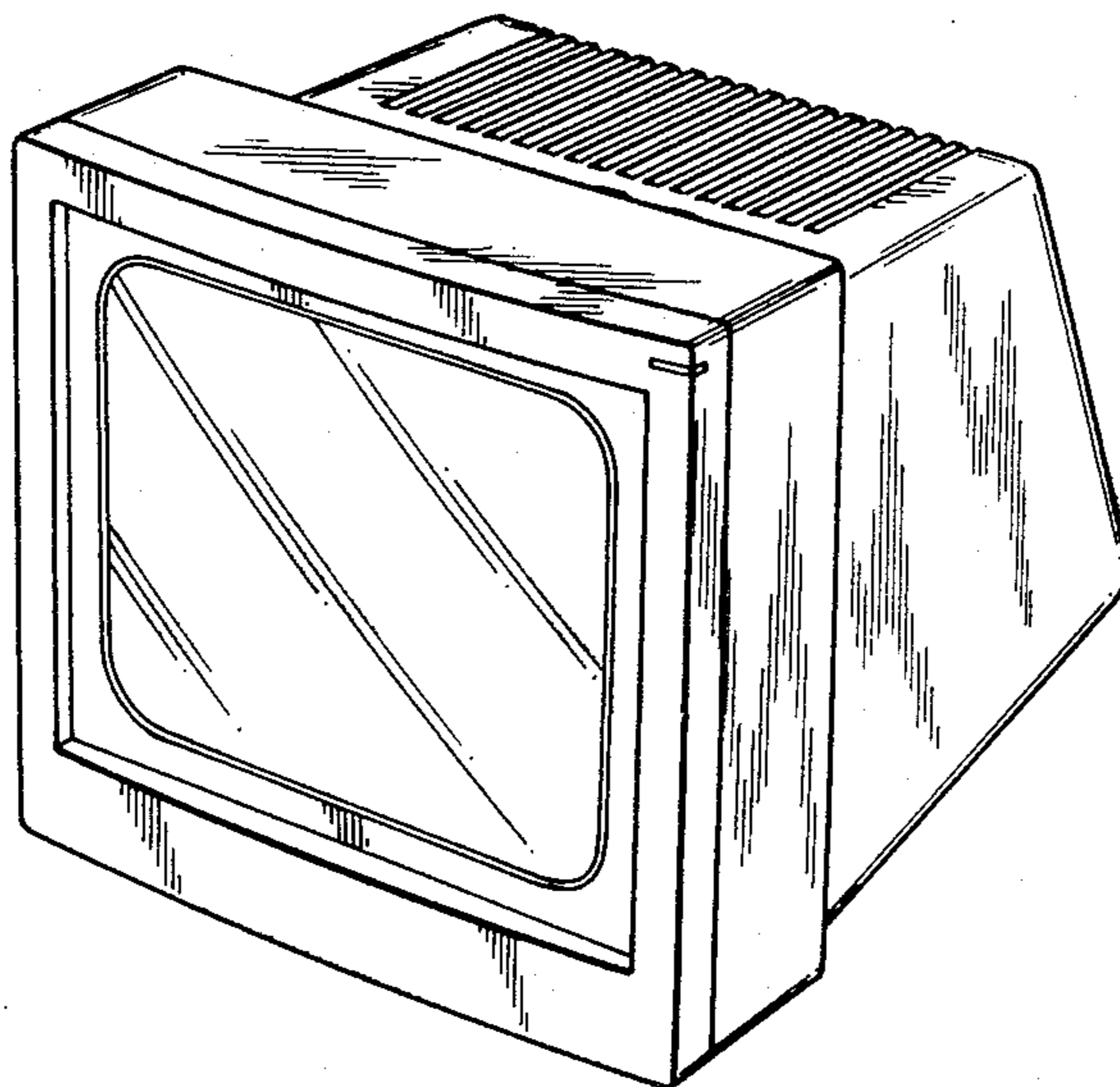


FIG. 1

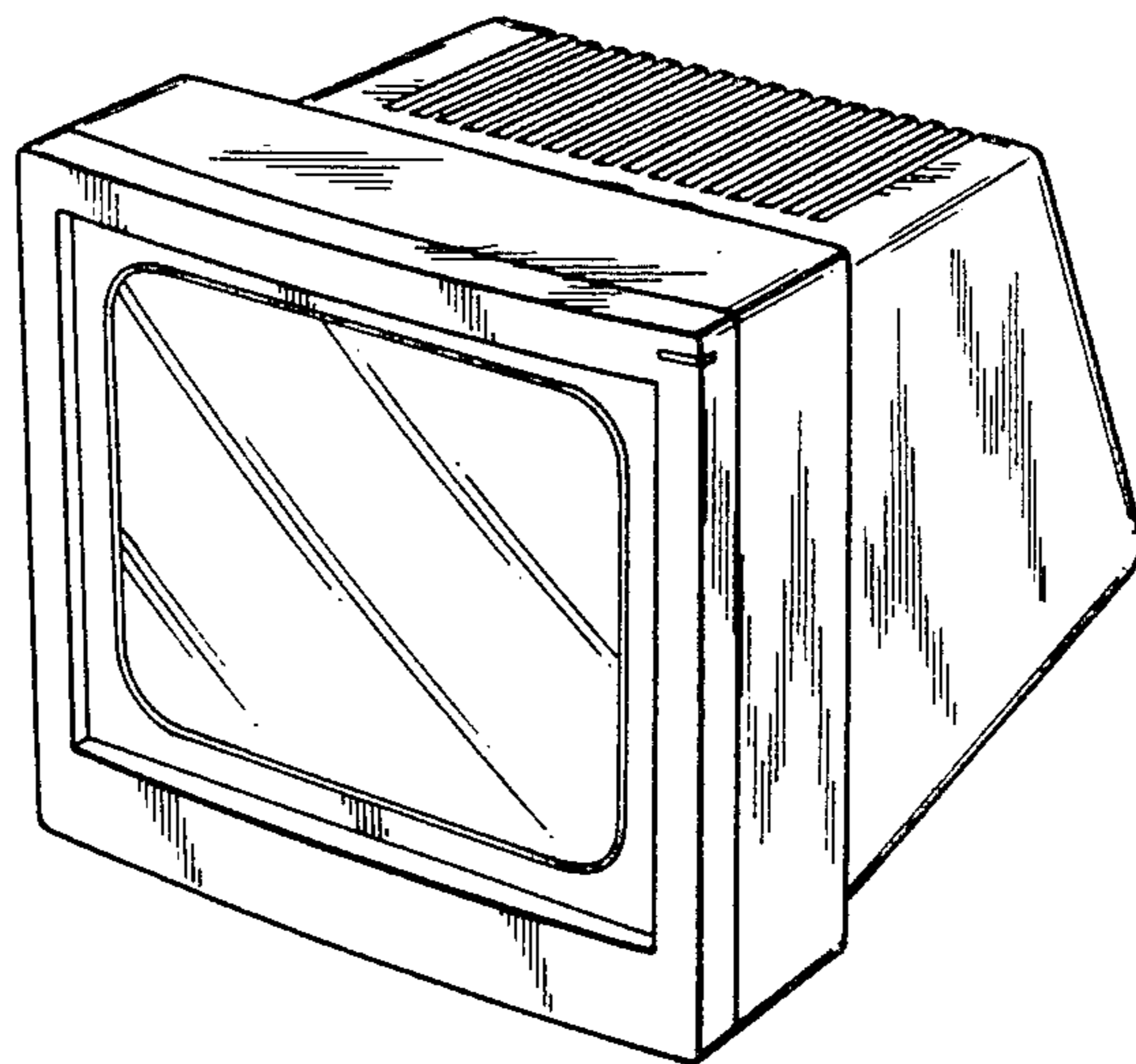


FIG. 2

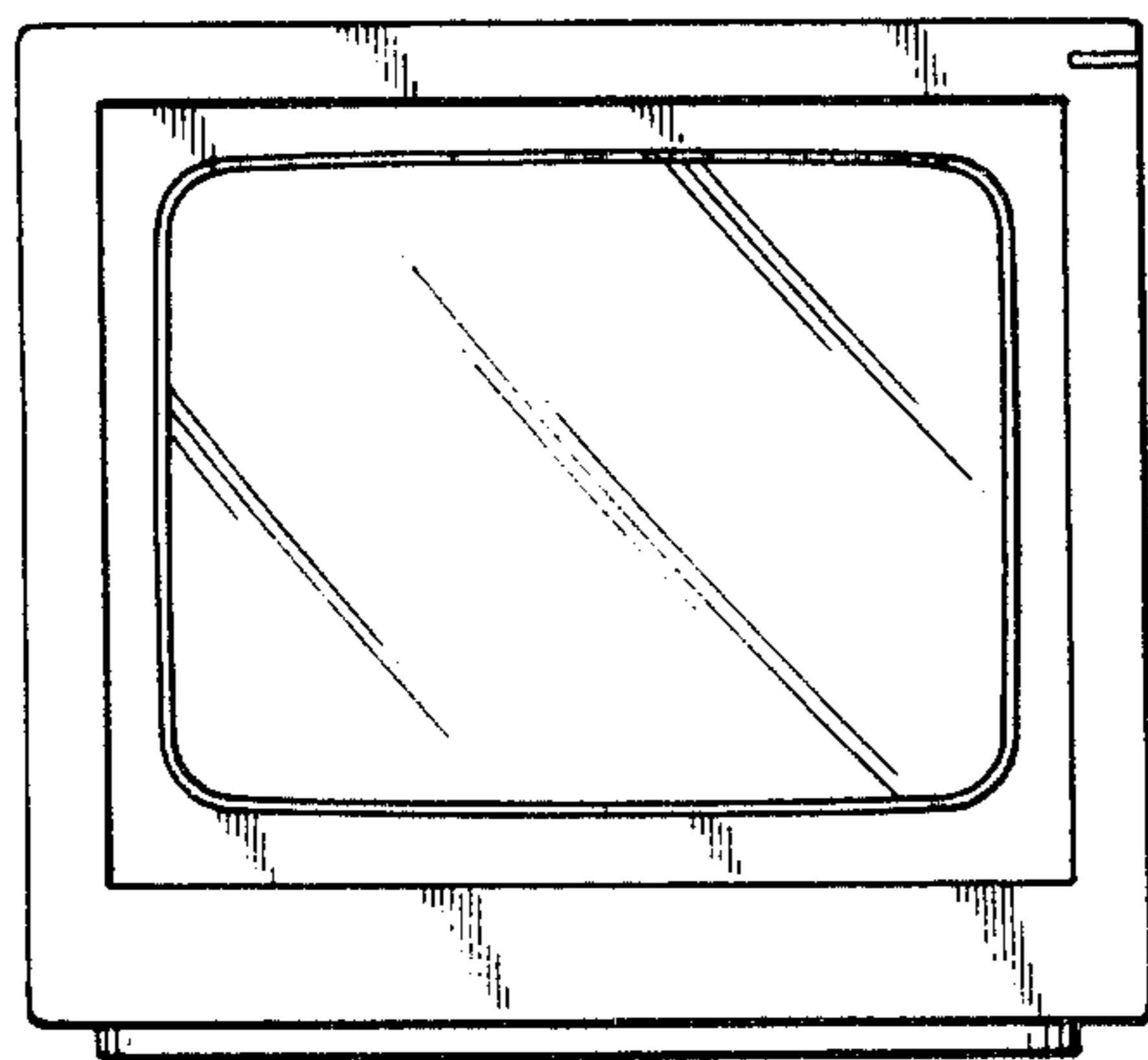


FIG. 3

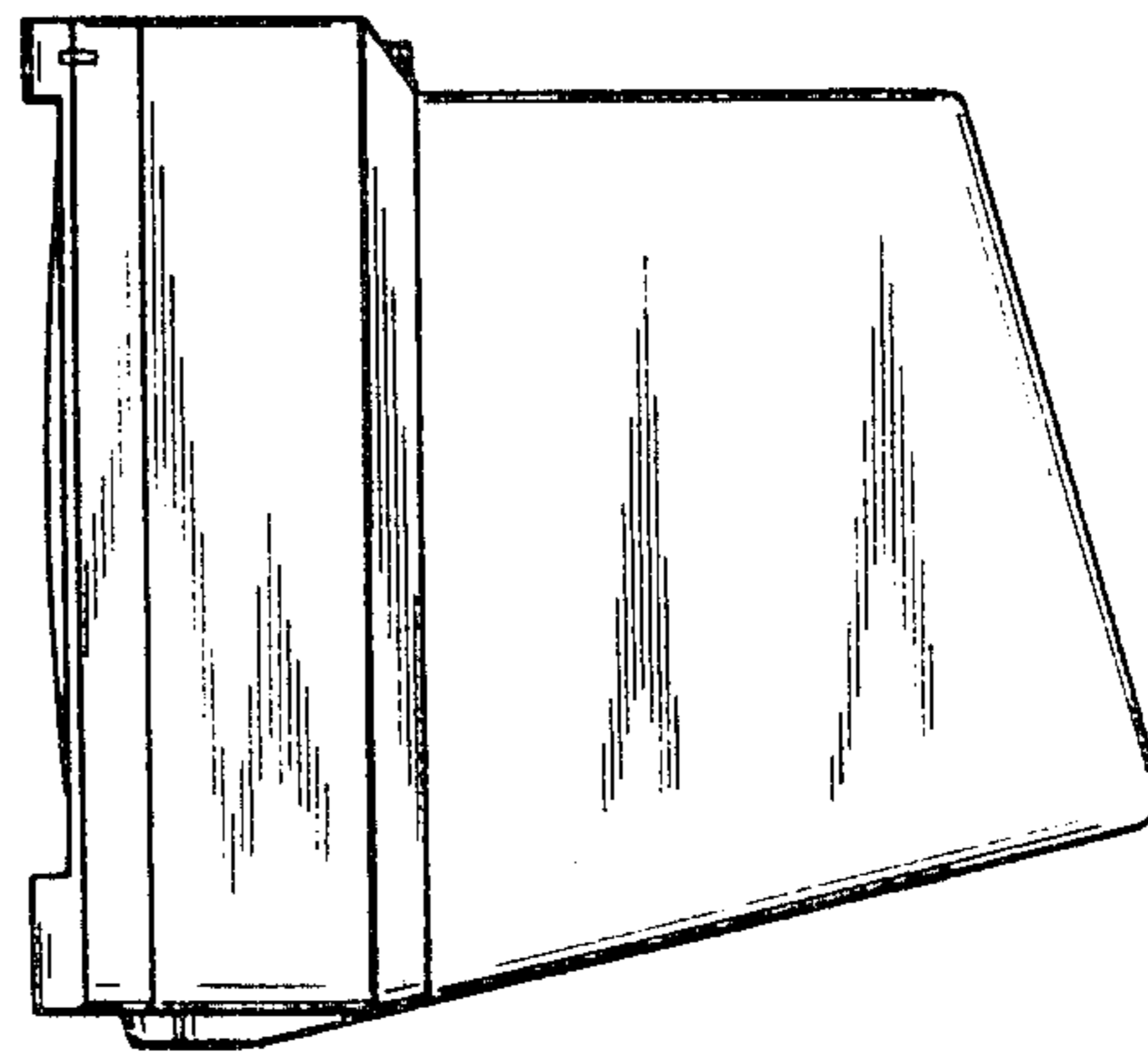


FIG. 4

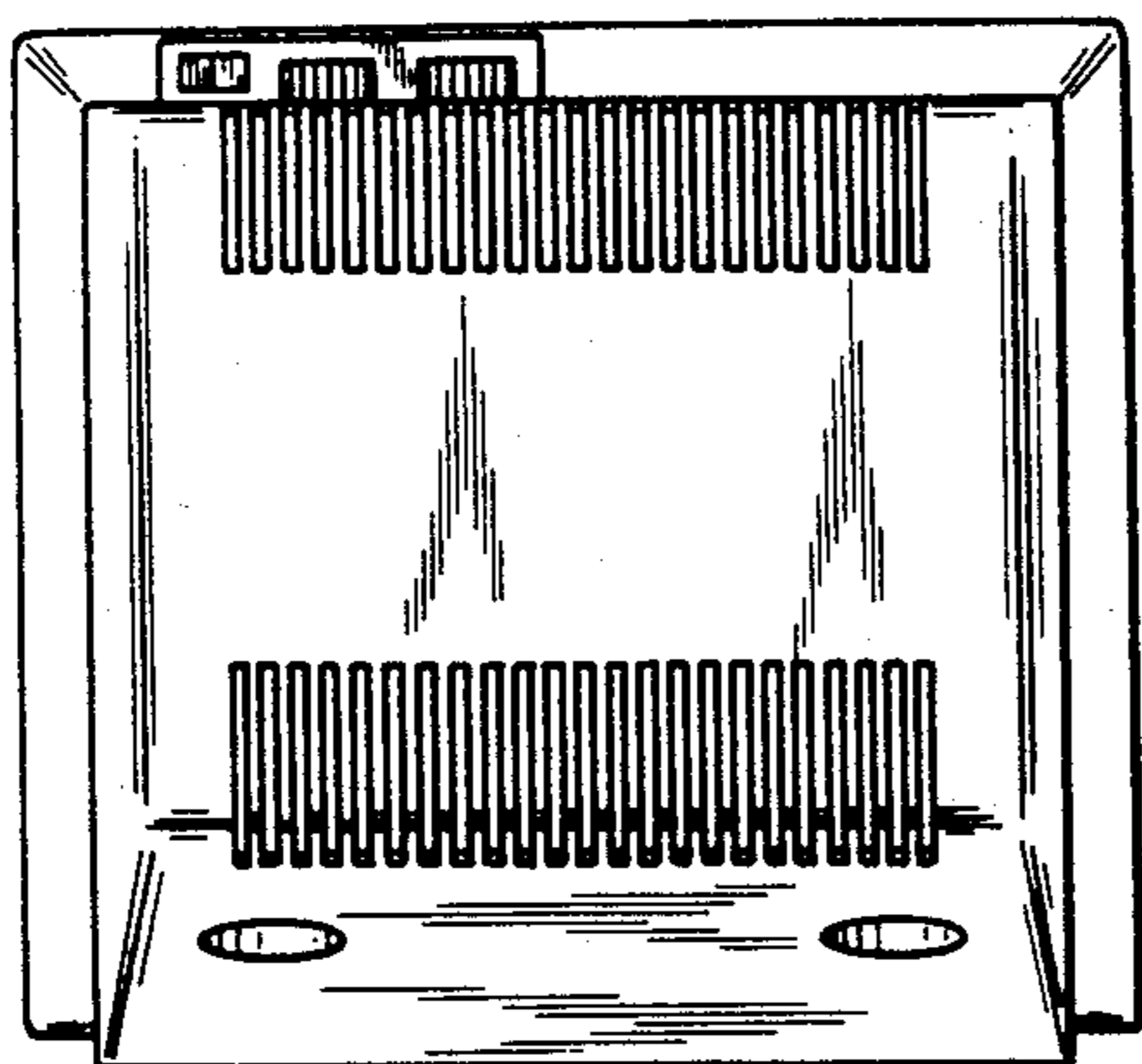


FIG. 5

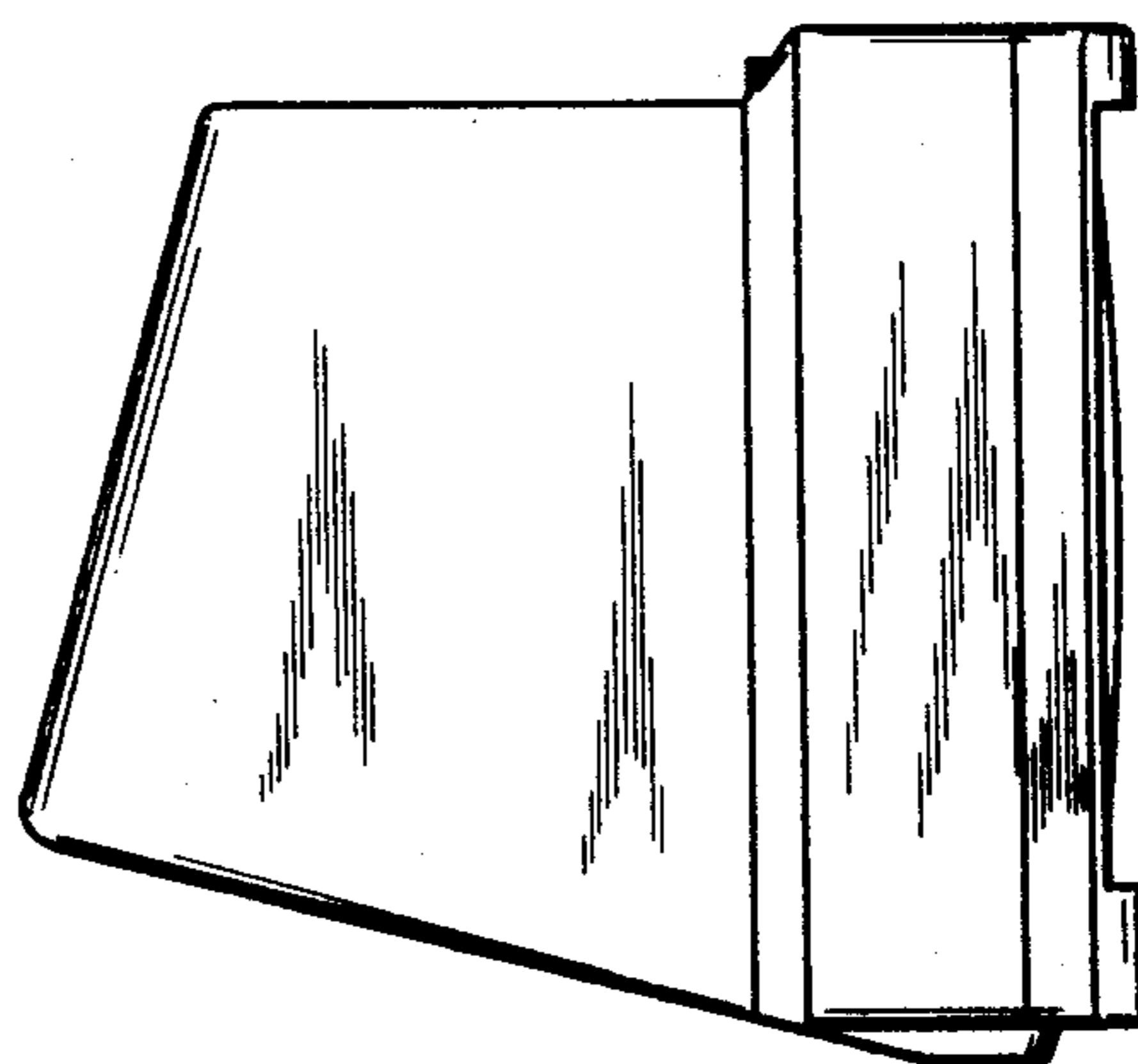


FIG. 6

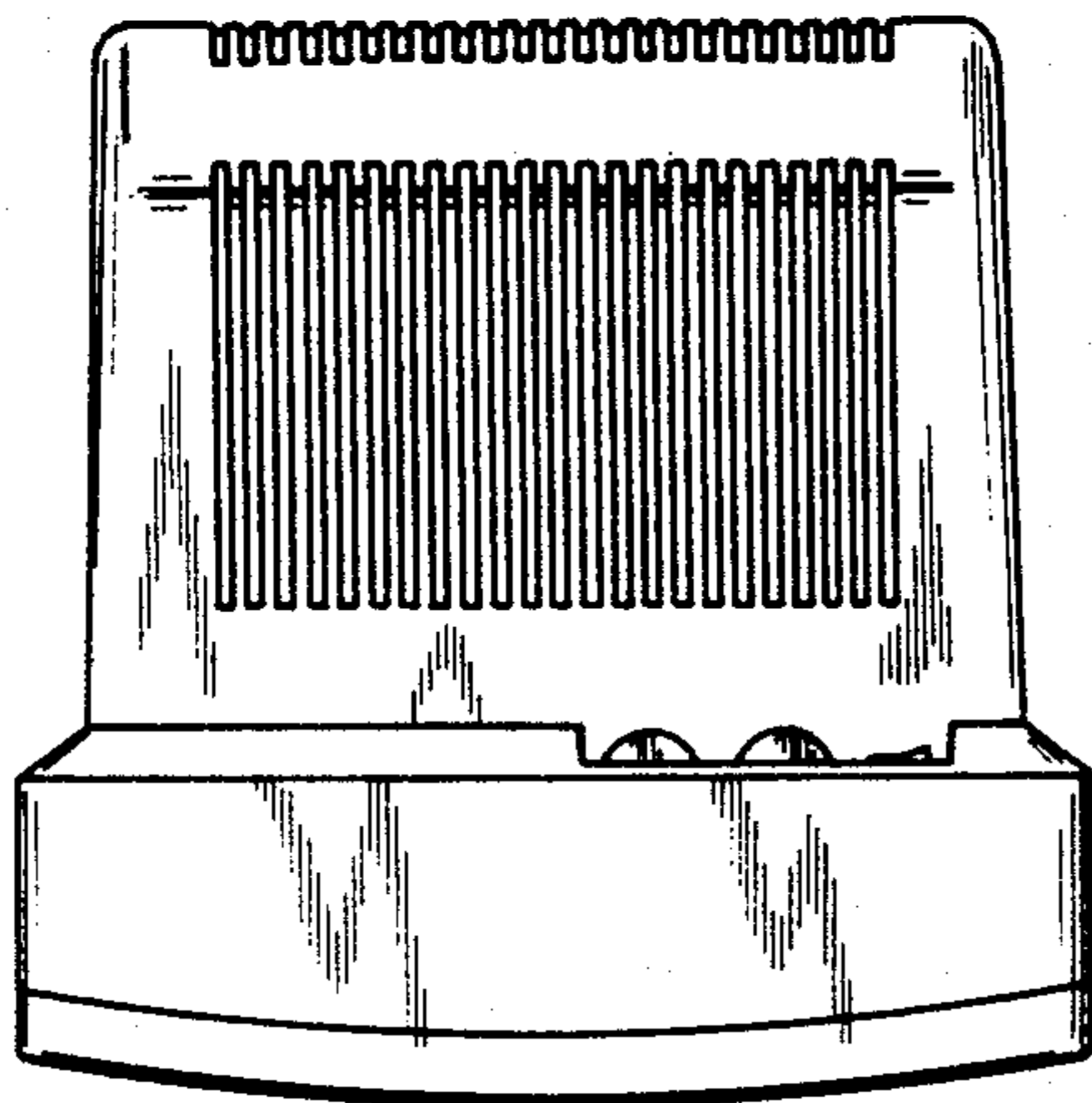


FIG. 7

