

[54] PORTABLE TERMINAL OR SIMILAR ARTICLE

[75] Inventors: William J. Scheid, Coral Springs, Fla.; Robert E. Steinbugler, Raleigh, N.C.

[73] Assignee: Motorola, Inc., Schaumburg, Ill.

[**] Term: 14 Years

[21] Appl. No.: 459,156

[22] Filed: Jan. 19, 1983

[52] U.S. Cl. D14/100; D18/7

[58] Field of Search D14/100-117; 235/145 R; 340/365 R, 700, 711; D18/7; 364/708, 709

[56] References Cited

U.S. PATENT DOCUMENTS

D. 258,654	3/1981	Levy	D14/100
D. 262,623	1/1982	Fujimoto	D14/100
D. 265,314	7/1982	Kitai	D14/2
4,090,247	5/1978	Martin	D14/100 X

OTHER PUBLICATIONS

"Fe News" Feb., 1982 (No. 1, 1982) pp. 1-5 IBM, Armonk N.Y.

"The Amazing Pocket Computer In Living Color" IEEE Spectrum, Sep., 1982, Sharp Electronics Corp., Paramus, N.J.

"Radio Shack's Astounding PC-2 Is What Every Professional Needs!" from IEEE Spectrum, Sep., 1982, Radio Shack, Ft. Worth, Texas.

"TransTerm 1 from Computerwise"—Aug. 1982 Computerwise, Inc., Grandview, MO.

Primary Examiner—Susan J. Lucas
Attorney, Agent, or Firm—Rolland R. Hackbart;
Edward M. Roney; James W. Gillman

[57] CLAIM

The ornamental design for a portable terminal or similar article, substantially as shown and described.

DESCRIPTION

FIG. 1 is a top perspective view of a portable terminal or similar article showing our new design;

FIG. 2 is an elevational view of the side opposite that shown in FIG. 1;

FIG. 3 is a rear elevational view thereof;

FIG. 4 is a bottom plan view thereof.

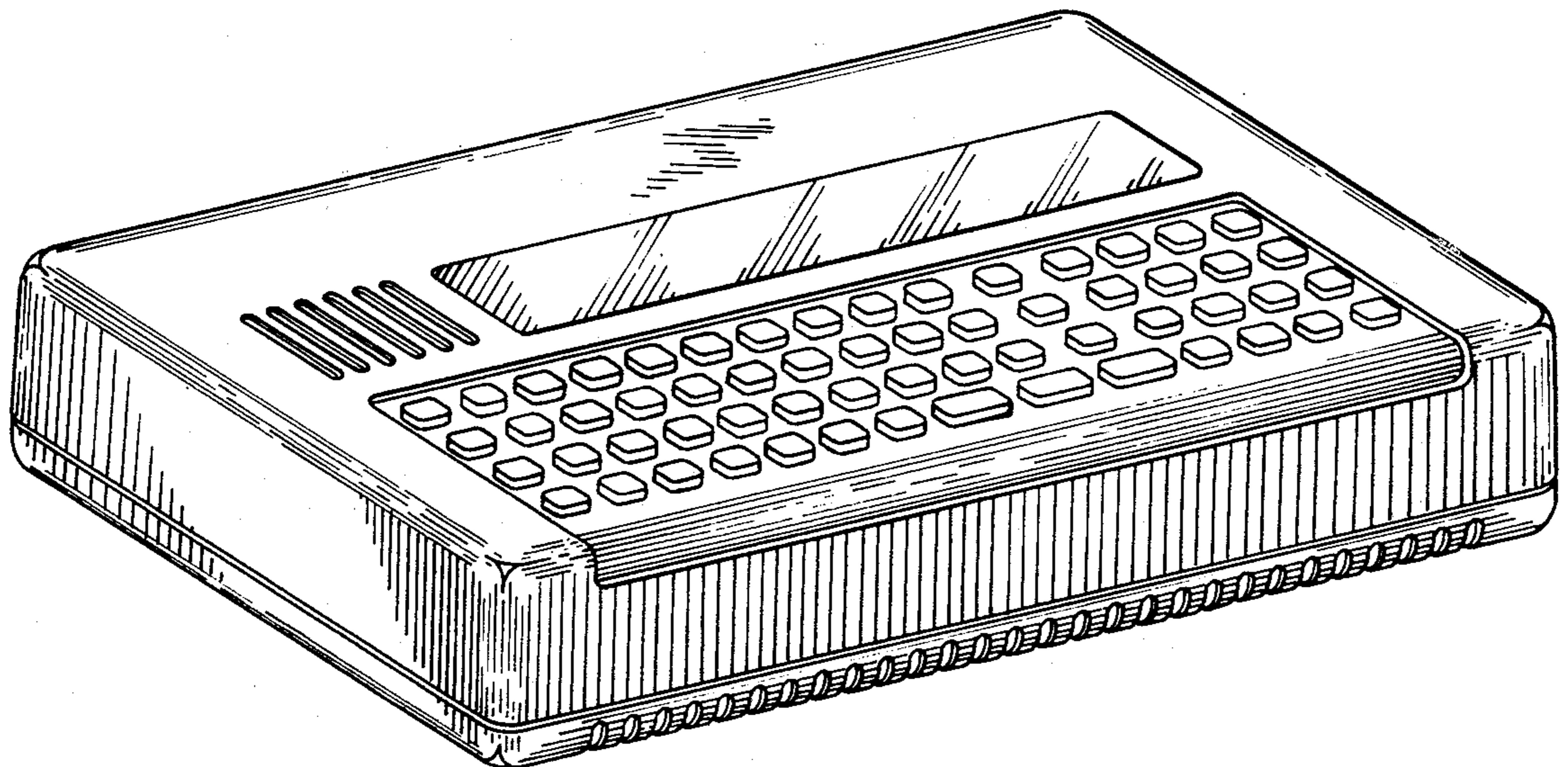


Fig. 1

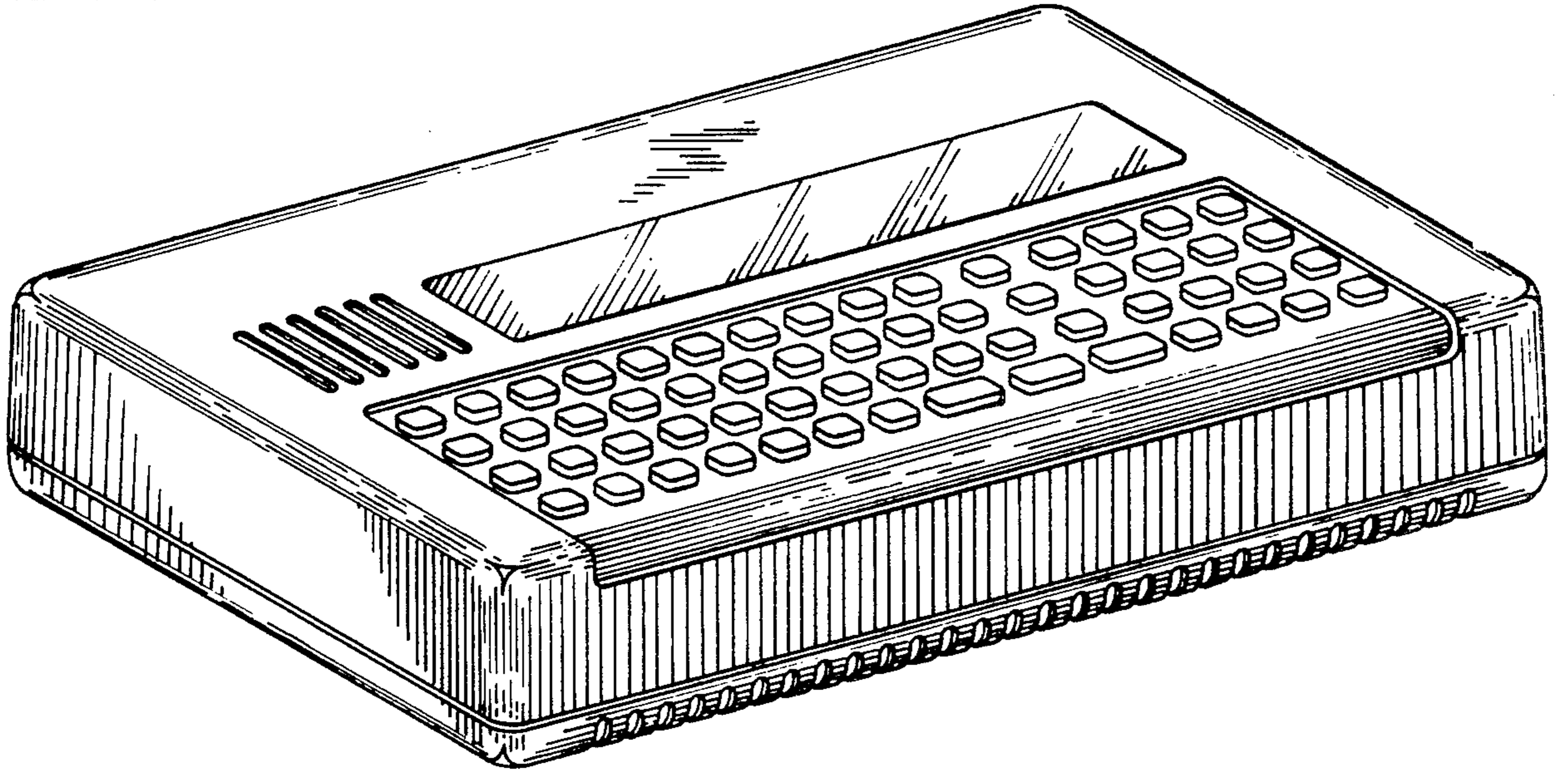


Fig. 2

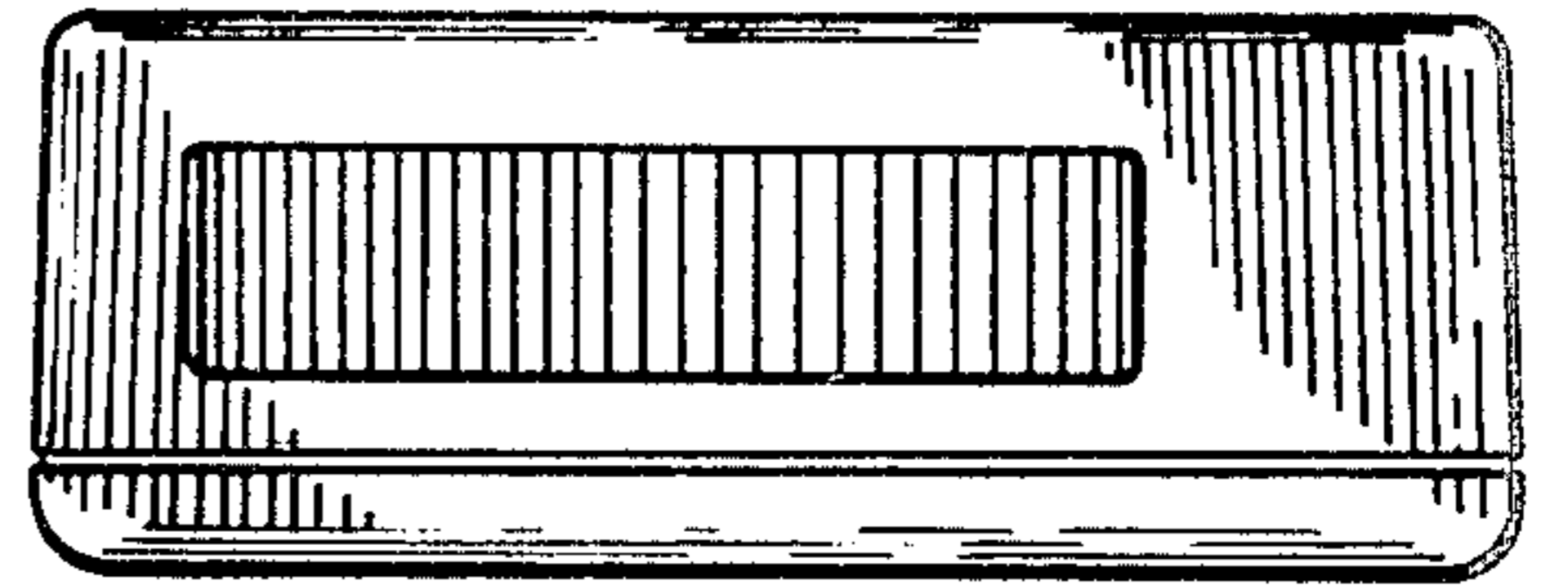


Fig. 3

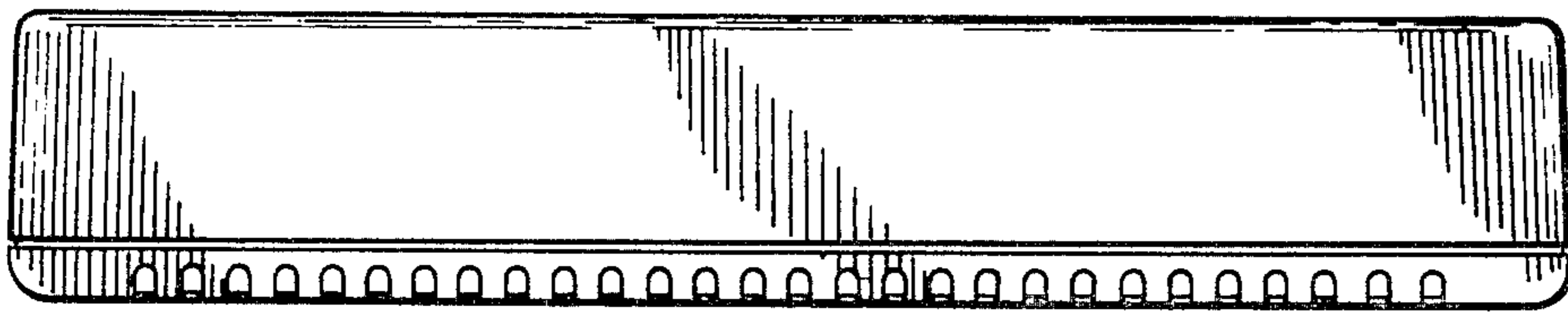


Fig. 4

