

[54] VIEW FINDER FOR VIDEO CAMERA

[75] Inventors: Koya Kurokawa; Noriyuki Arai, both of Ehime, Japan

[73] Assignee: Matsushita Electric Industrial Co., Ltd., Osaka, Japan

[**] Term: 14 Years

[21] Appl. No.: 426,034

[22] Filed: Sep. 28, 1982

[30] Foreign Application Priority Data

Apr. 1, 1982 [JP] Japan 57-13983
[52] U.S. Cl. D14/84
[58] Field of Search D14/84, 78; 352/243, 352/242, 72; 354/293, 82, 219, 223; D16/26, 10

[56] References Cited

U.S. PATENT DOCUMENTS

D. 260,894 9/1981 Ellermeier D14/78

OTHER PUBLICATIONS

Bell Catalog, 1980, p. 258, Items D, E, F & G.
Best Catalog, 1980, p. 312, Item A.
Merchadising Publication, 1/81, p. 42, bottom left, Portable Special Effects VCR.

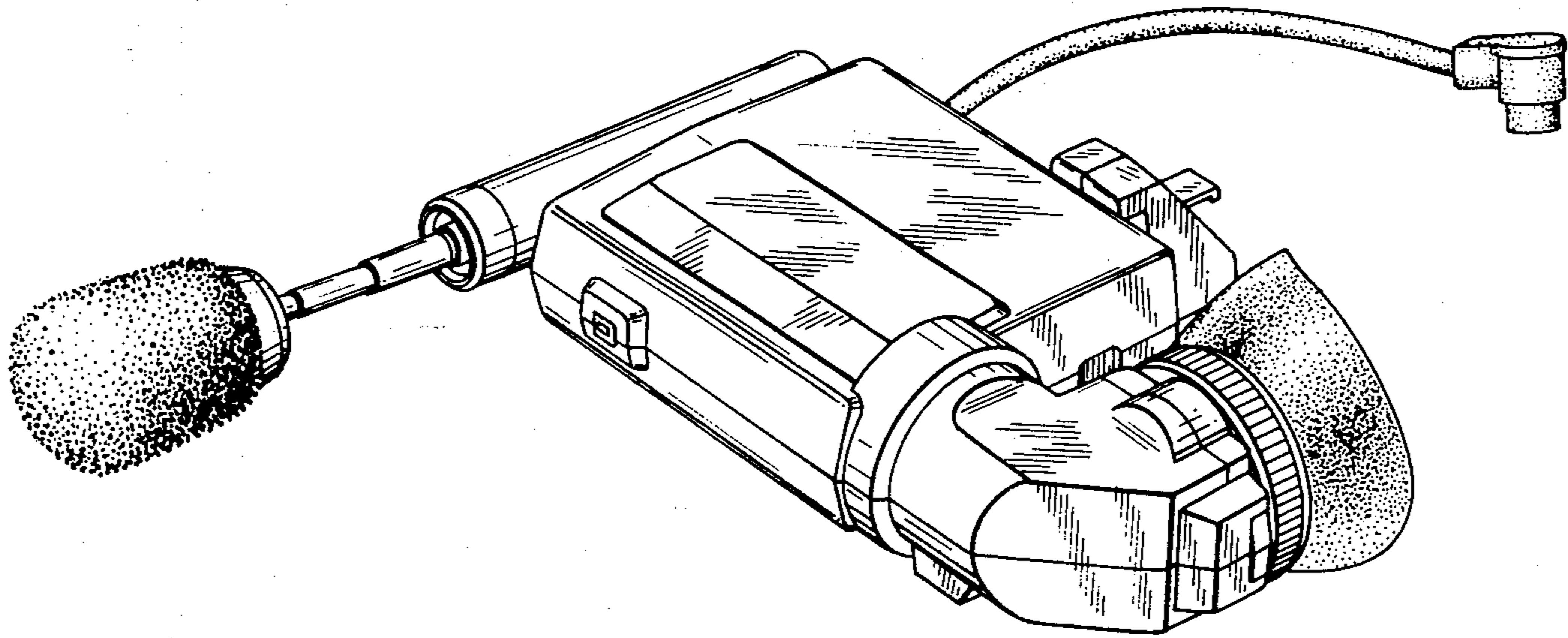
Primary Examiner—Melvin B. Feifer
Assistant Examiner—Terry Pfeffer
Attorney, Agent, or Firm—Sughrue, Mion, Zinn, Macpeak and Seas

[57] CLAIM

The ornamental design for a view finder for video camera, as shown.

DESCRIPTION

FIG. 1 is a front, top and right side perspective view of a view finder for a video camera showing our new design;
FIG. 2 is a front elevational view thereof;
FIG. 3 is a rear elevational view thereof; and
FIG. 4 is a rear, top and left side perspective view thereof.



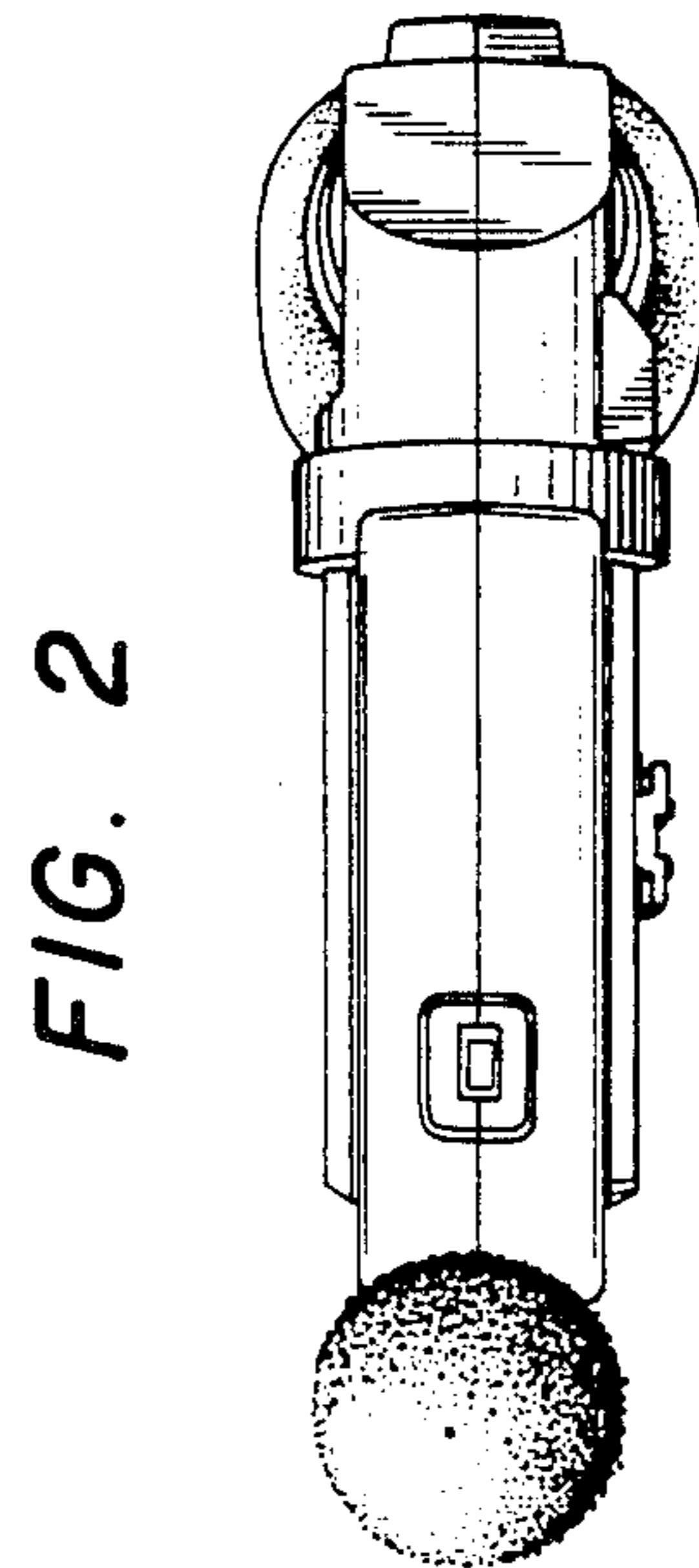
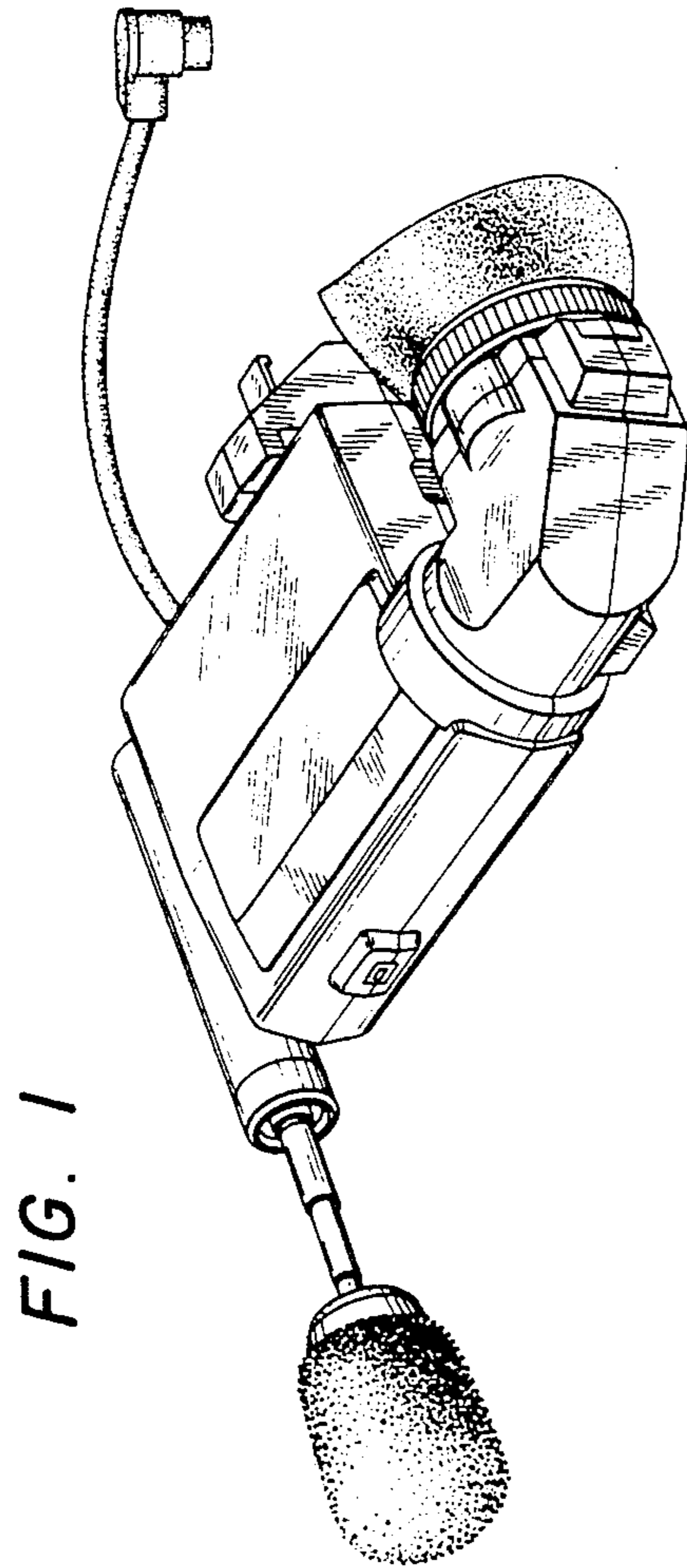


FIG. 3

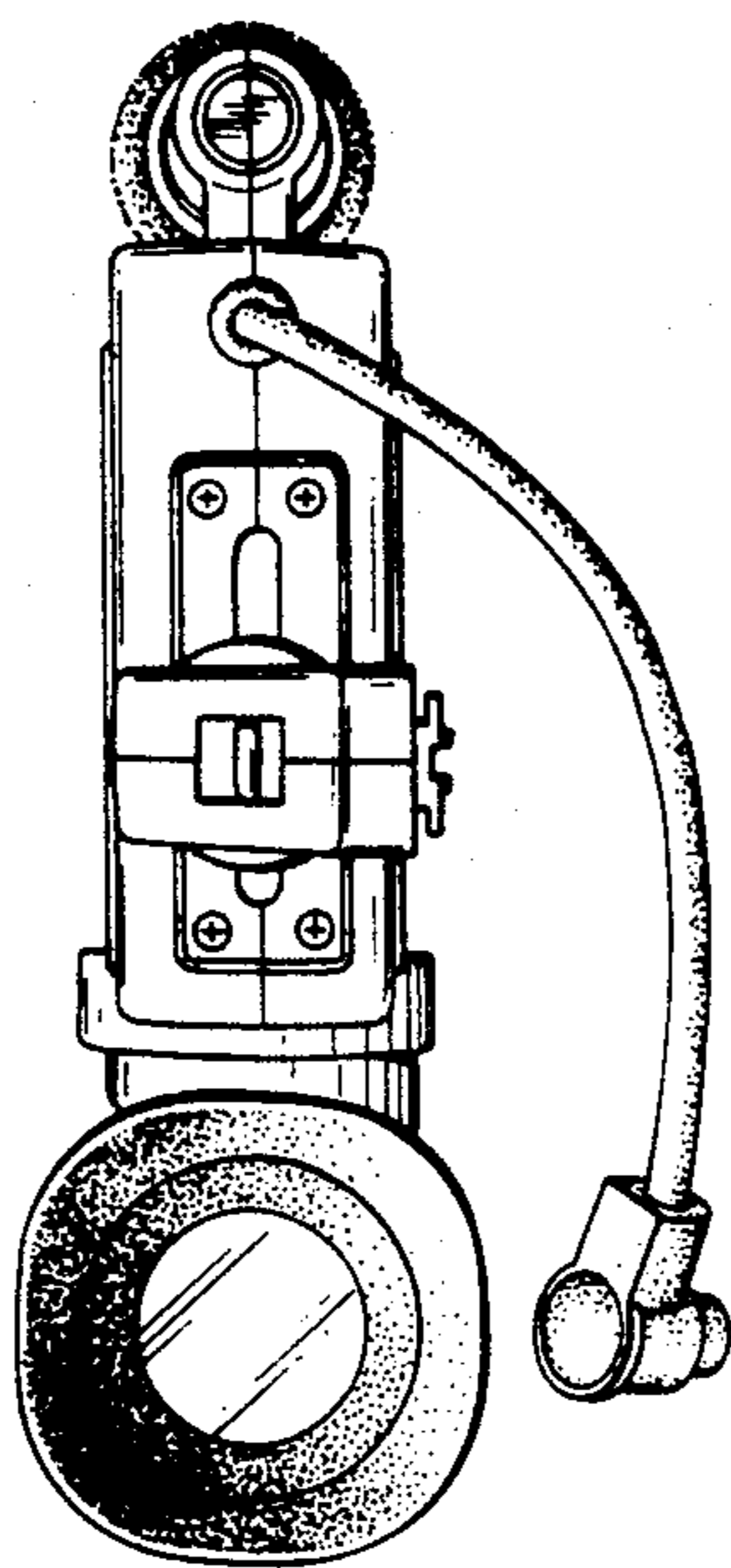


FIG. 4

