

[54] CIRCUIT BREAKER HANDLE

[75] Inventor: George S. Harper, Cambridge, Md.

[73] Assignee: Airpax Corporation, Cambridge, Mass.

[\*] Notice: The portion of the term of this patent subsequent to Jun. 19, 1998 has been disclaimed.

[\*\*] Term: 14 Years

[21] Appl. No.: 551,129

[22] Filed: Nov. 10, 1983

Related U.S. Application Data

[63] Continuation of Ser. No. 193,479, Oct. 3, 1980.

[52] U.S. Cl. .... D13/34

[58] Field of Search ..... D13/32, 33, 34, 37, D13/38; 335/6, 7, 13, 17, 20, 1, 202

[56] References Cited

U.S. PATENT DOCUMENTS

D. 221,861	9/1971	Davis	.....	D13/34
D. 274,326	6/1984	Harper	.....	D13/34
4,270,035	5/1981	Richter, Sr.	.....	335/202

Primary Examiner—Wallace R. Burke  
Assistant Examiner—Lynn Wilder  
Attorney, Agent, or Firm—Saidman, Sterne, Kessler & Goldstein

[57] CLAIM

The ornamental design for a circuit breaker handle, as shown and described.

DESCRIPTION

FIG. 1 is a side elevational view of a circuit breaker handle showing my new design; FIG. 2 is a front elevational view thereof; FIG. 3 is a top plan view thereof; and FIG. 4 is a perspective view thereof. The circuit breaker is shown in broken lines for illustrative purposes only.

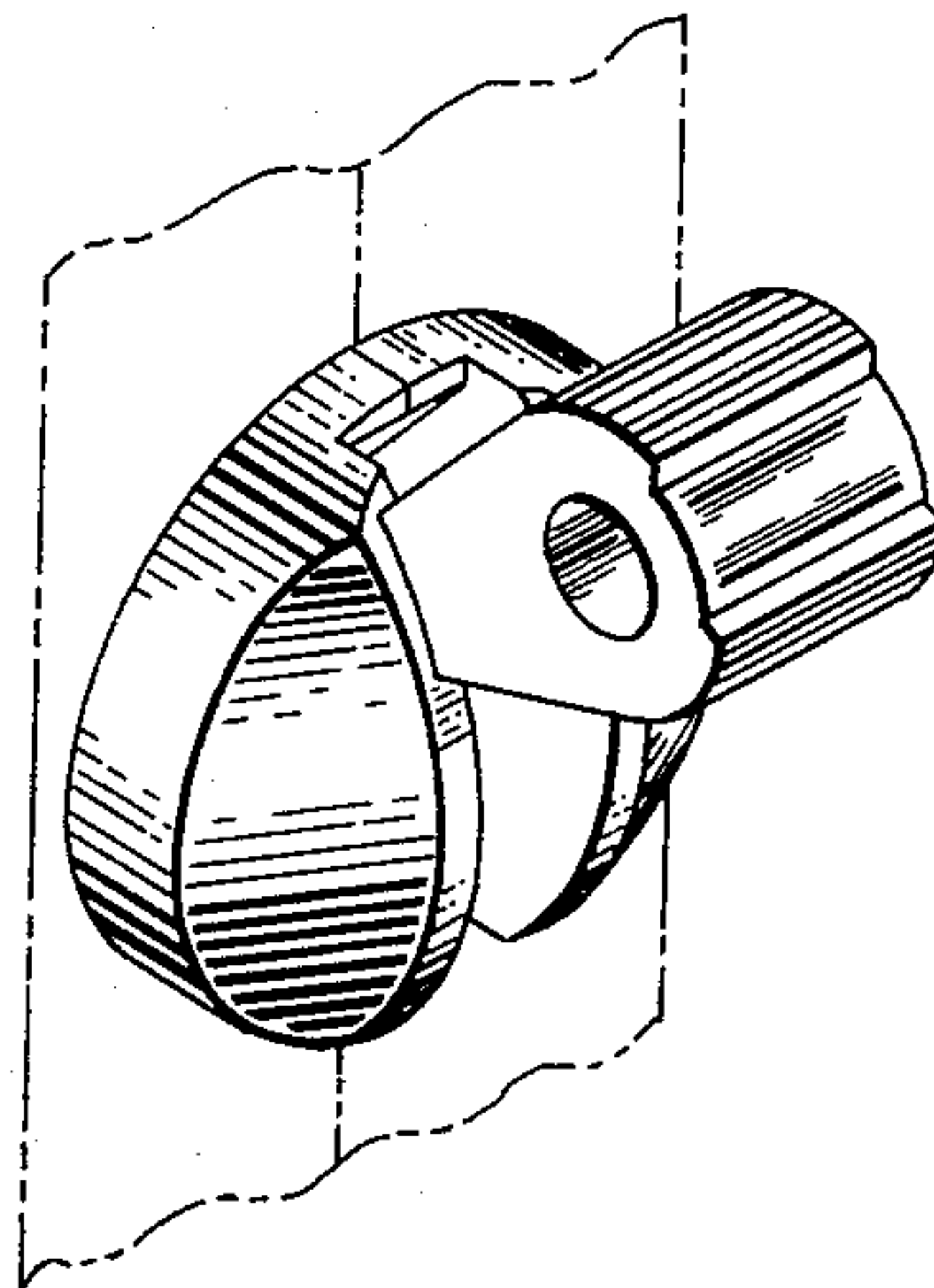


Fig. 1

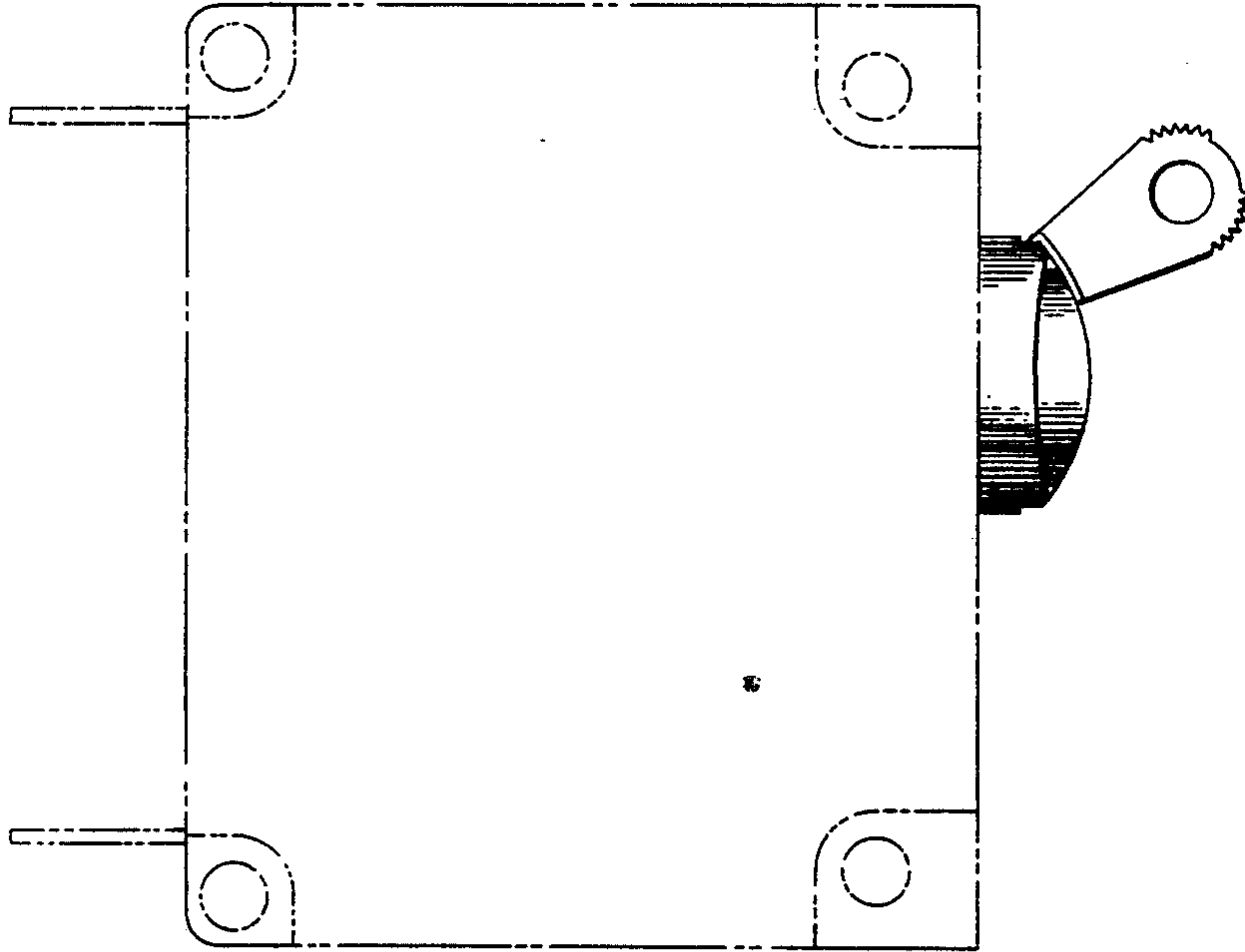


Fig. 2

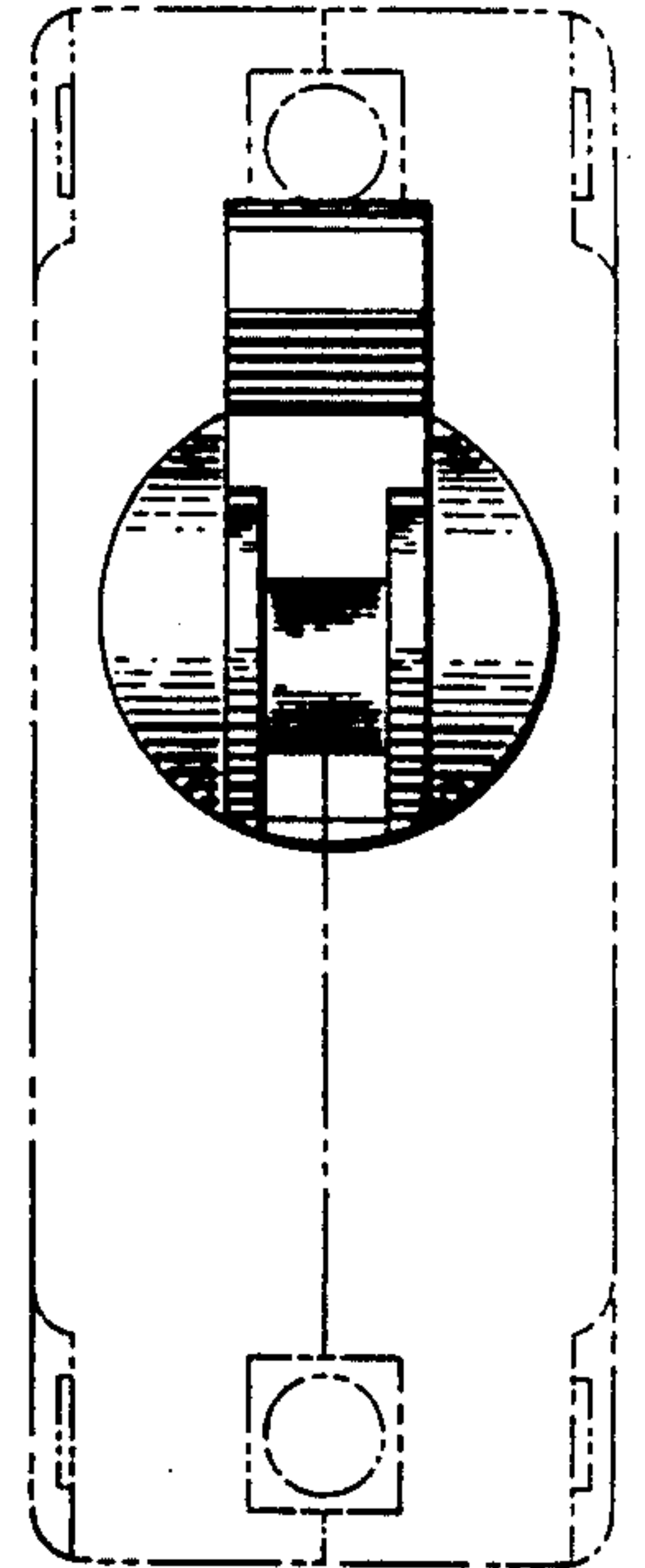


Fig. 3

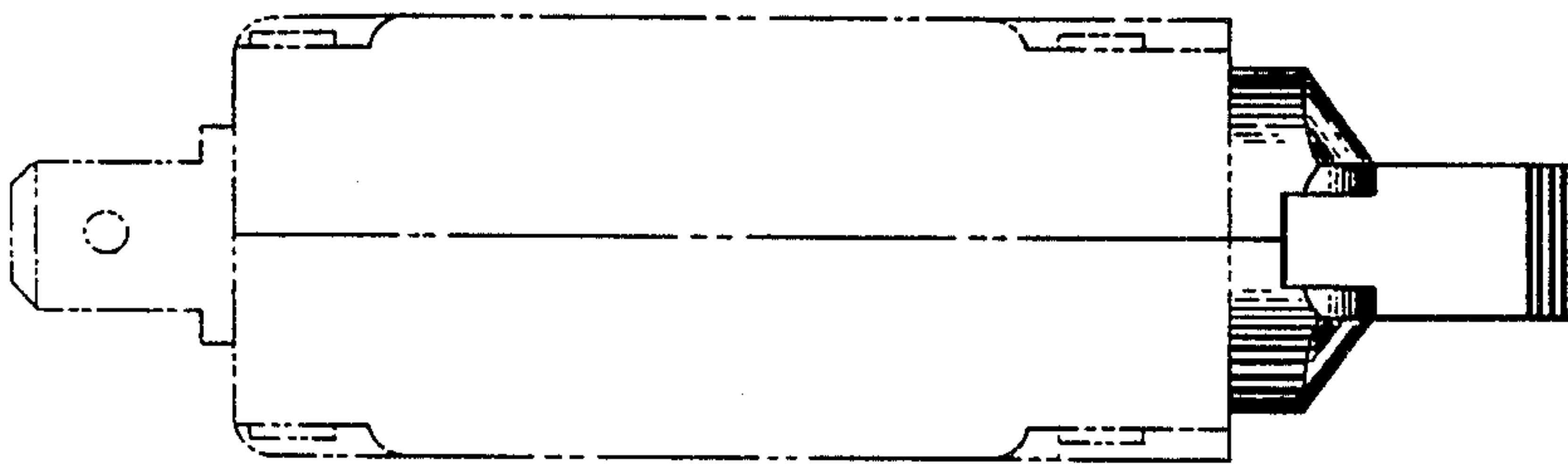


Fig. 4

