

[54] COMBINED TOOL BOX VEHICLE BUMPER,
BICYCLE CARRIER AND AIR DAM

[76] Inventor: Tommy H. James, 6828 Donerail Dr.,
Sacramento, Calif. 95842

[**] Term: 14 Years

[21] Appl. No.: 424,332

[22] Filed: Sep. 27, 1982

[52] U.S. Cl. D12/157; D12/158;
D12/169; D12/181

[58] Field of Search D12/169, 181, 158, 157;
224/42.03 R, 42.03 A, 42.03 B; 293/106, 117;
296/1.5

[56] References Cited

U.S. PATENT DOCUMENTS

3,471,070 10/1969 Olson 293/106
3,614,136 10/1971 Dent D12/169

3,993,229 11/1976 Summers 293/117

Primary Examiner—James M. Gandy
Attorney, Agent, or Firm—Lothrop & West

[57] CLAIM

The ornamental design for a combined tool box vehicle bumper, bicycle carrier and air dam, as shown.

DESCRIPTION

FIG. 1 is a left front perspective view of a combined tool box vehicle bumper, bicycle carrier and air dam, showing my new design;

FIG. 2 is a front elevational view;

FIG. 3 is an elevational view of one end, the opposite end view being a mirror image thereof;

FIG. 4 is a top plan view;

FIG. 5 is a bottom plan view;

FIG. 6 is a rear elevational view; and,

FIG. 7 is a sectional view to an enlarged scale, the plane of the section being indicated by the line 7—7 in FIG. 4.

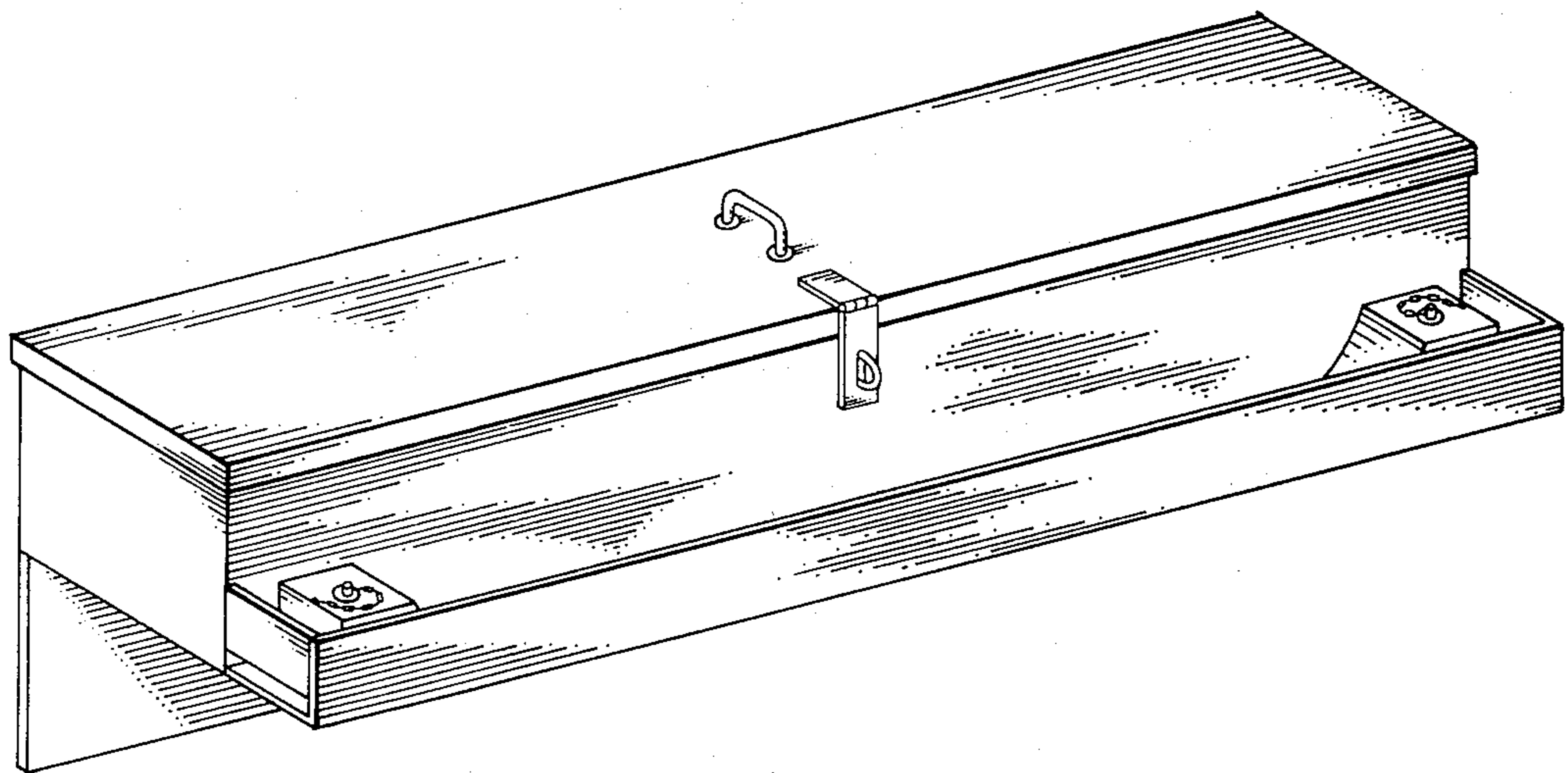


FIG. 1.

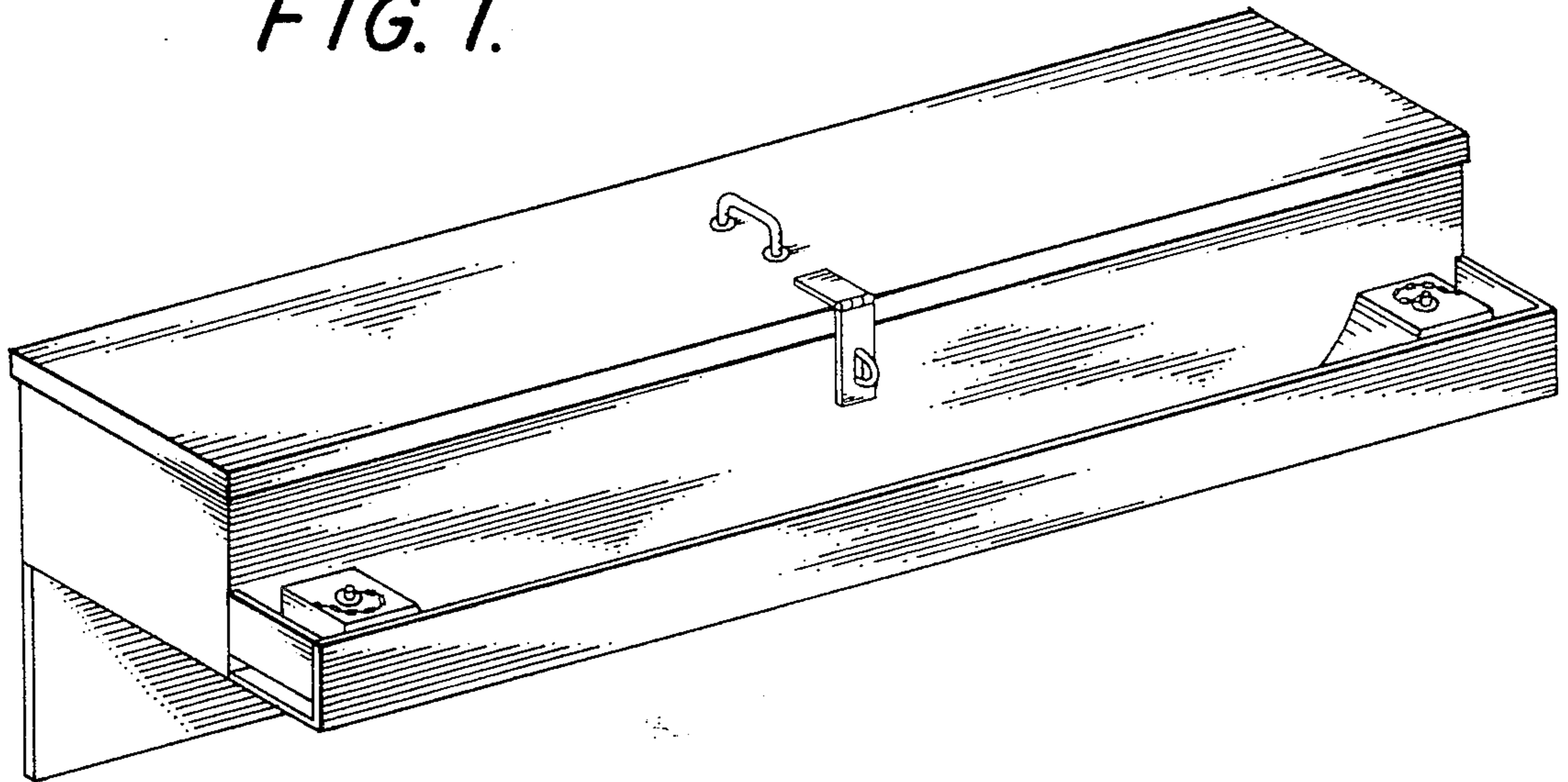


FIG. 2.

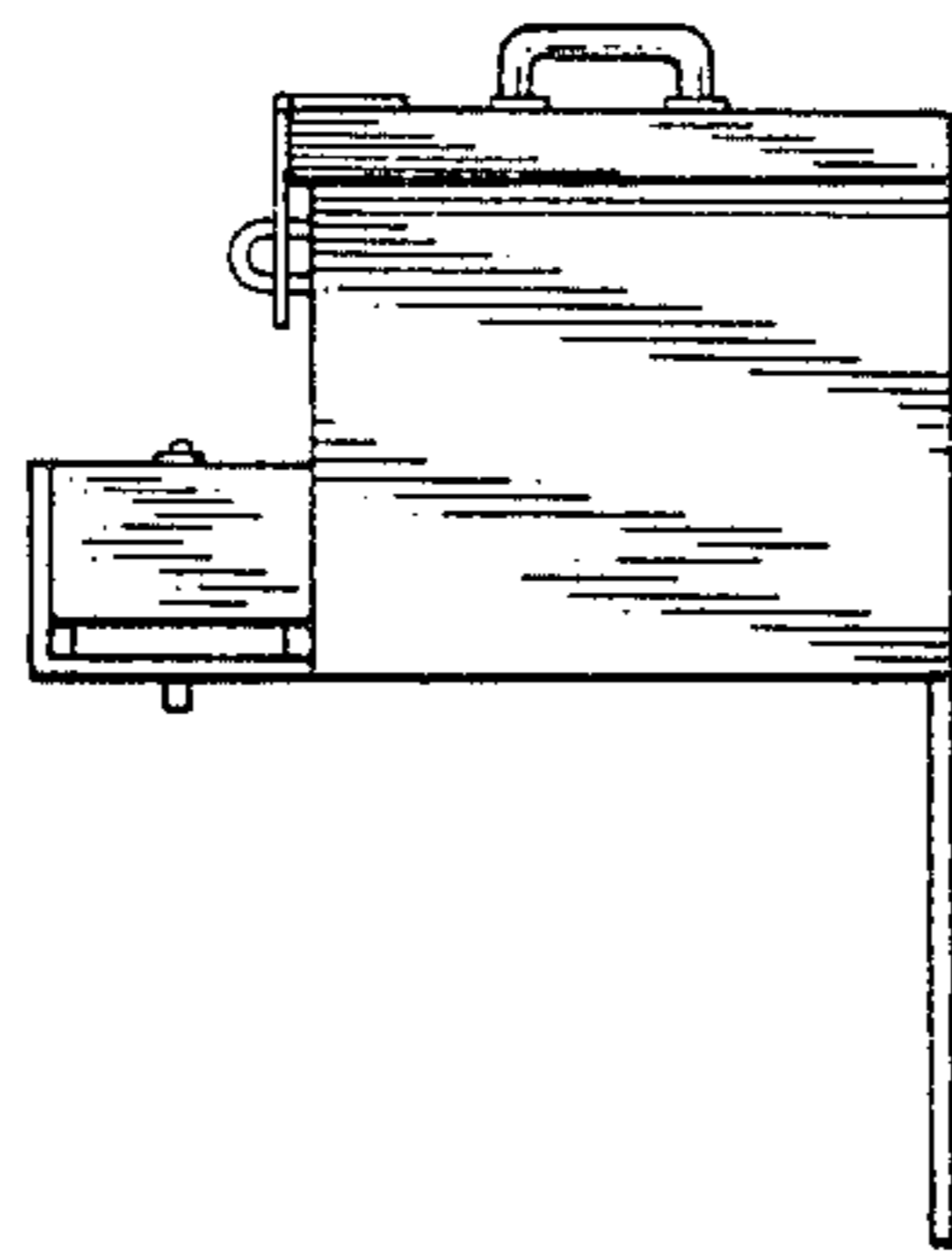
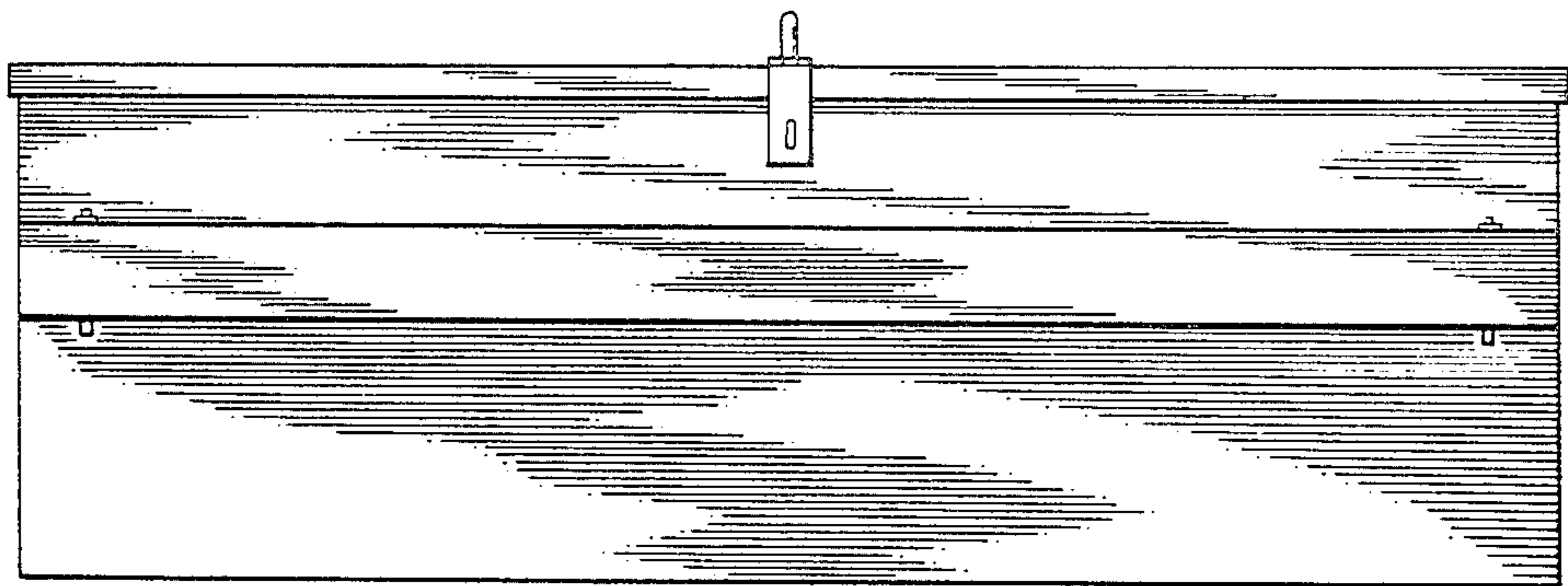


FIG. 3.

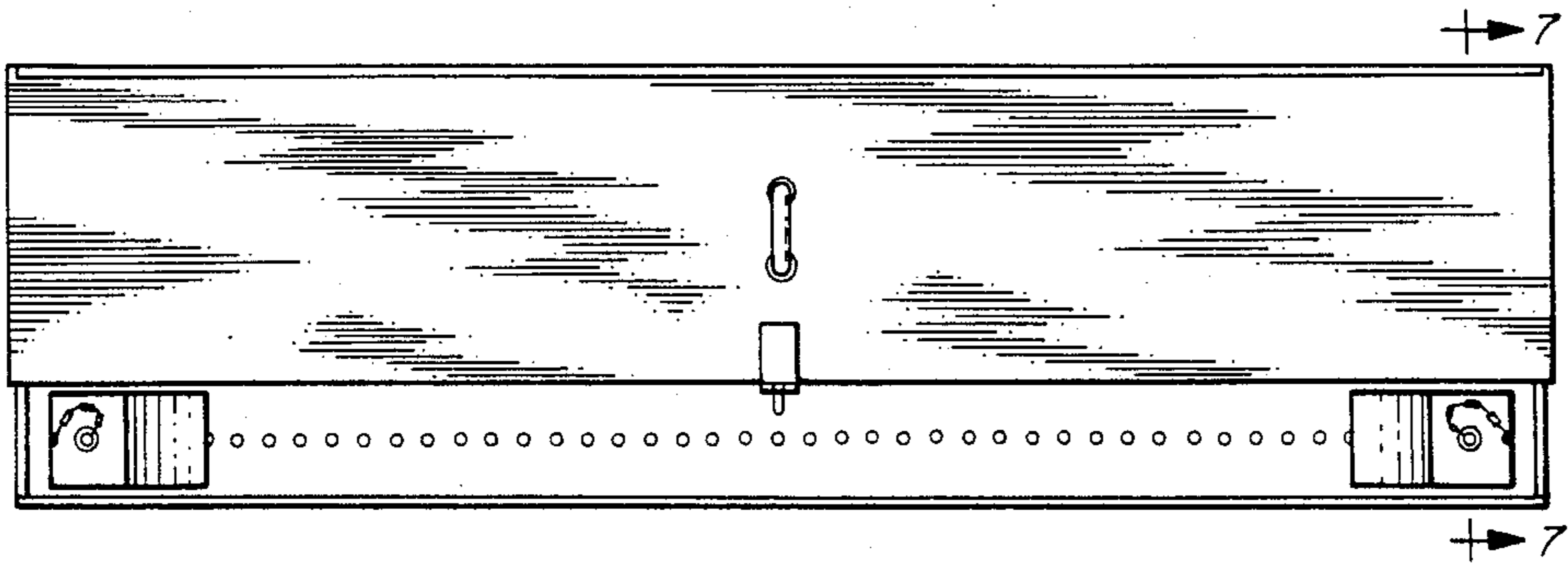


FIG. 4.

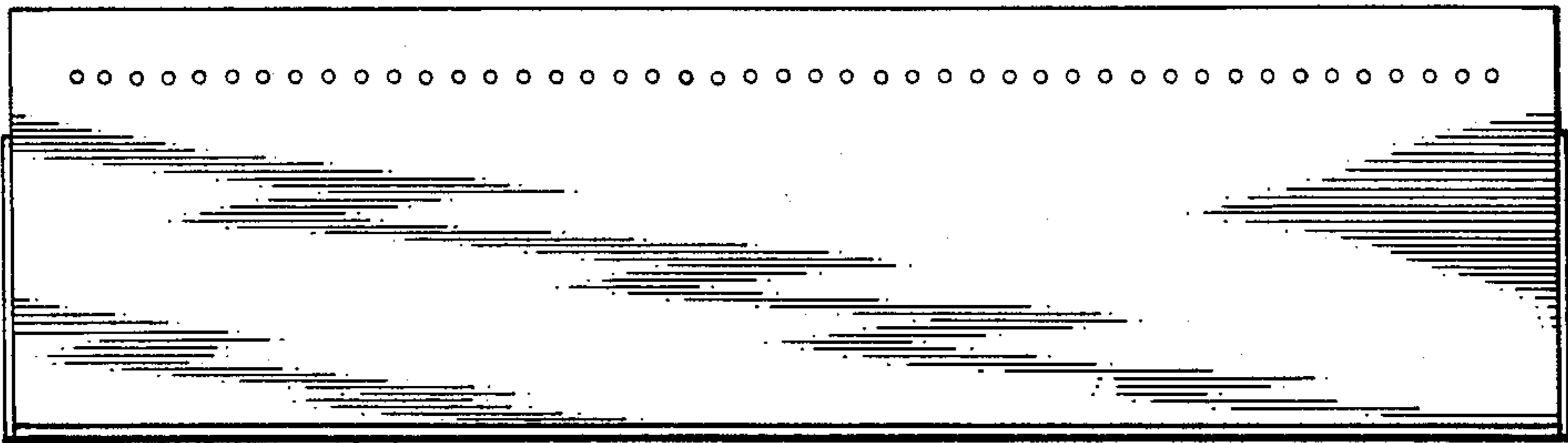


FIG. 5.

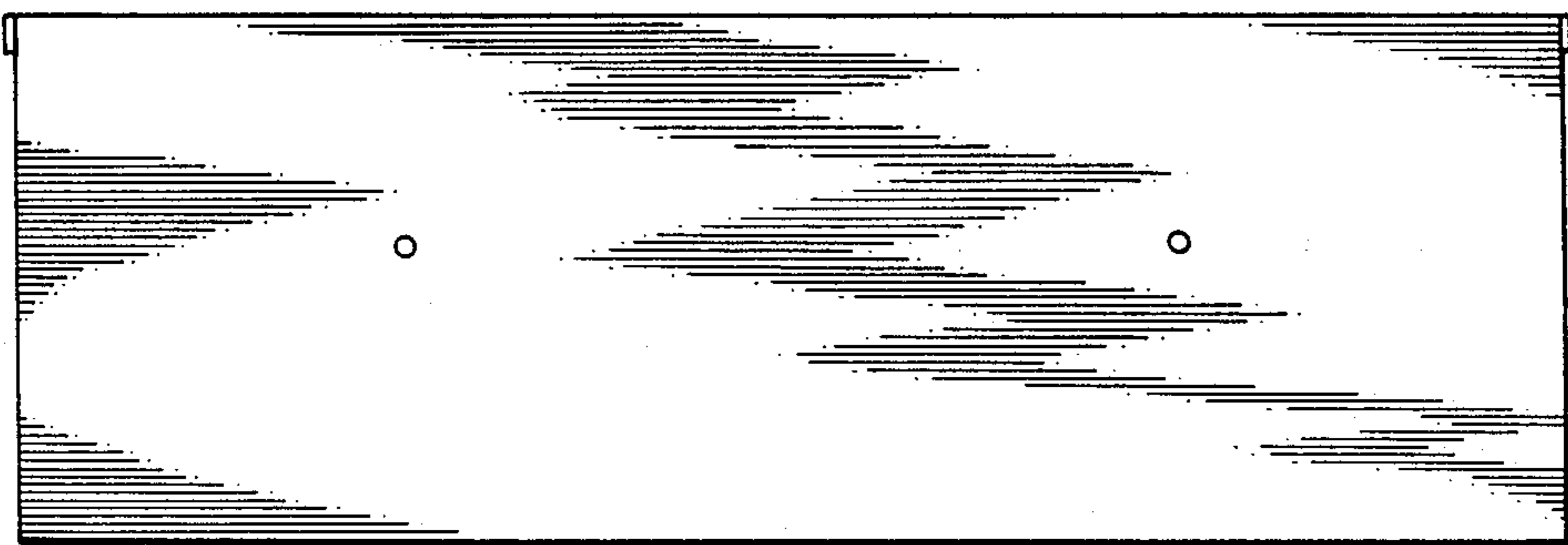


FIG. 6.

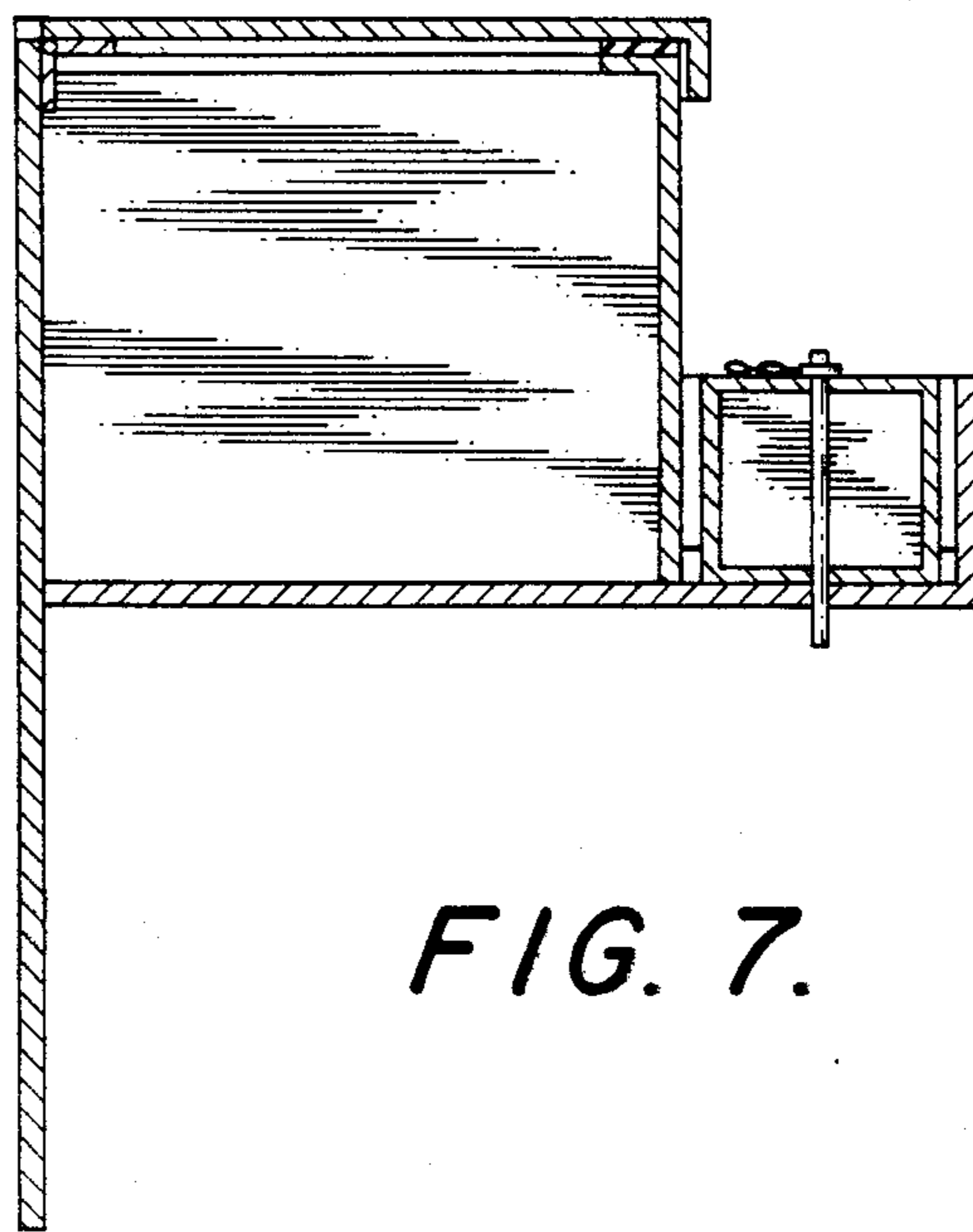


FIG. 7.