

[54] TREE STAND

[75] Inventor: Monte Levin, New York, N.Y.

[73] Assignee: Standex International Corporation, Salem, N.H.

[**] Term: 14 Years

[21] Appl. No.: 455,036

[22] Filed: Jan. 3, 1983

[52] U.S. Cl. D11/130.1

[58] Field of Search D11/130.1; 47/40.5, 47/42; 248/511, 514, 519, 523, 524, 527, 529

[56] References Cited

U.S. PATENT DOCUMENTS

D. 212,297 9/1968 Tong D11/130.1

D. 225,498	12/1972	Norton	D11/130.1
2,609,169	9/1952	Kroeger	47/40.5
3,073,558	1/1963	Klotz	47/40.5
3,637,179	1/1972	Marschak	248/529

Primary Examiner—Wallace R. Burke
Assistant Examiner—Suzanne N. Gitlin
Attorney, Agent, or Firm—Fishman & Dionne

[57] CLAIM

The ornamental design for a tree stand, as shown.

DESCRIPTION

FIG. 1 is a front perspective view of a tree stand showing my new design;
FIG. 2 is a top perspective view thereof;
FIG. 3 is a bottom perspective view thereof;
FIG. 4 is a perspective sectional view taken in the direction of the arrows on line 4—4 of FIG. 2.

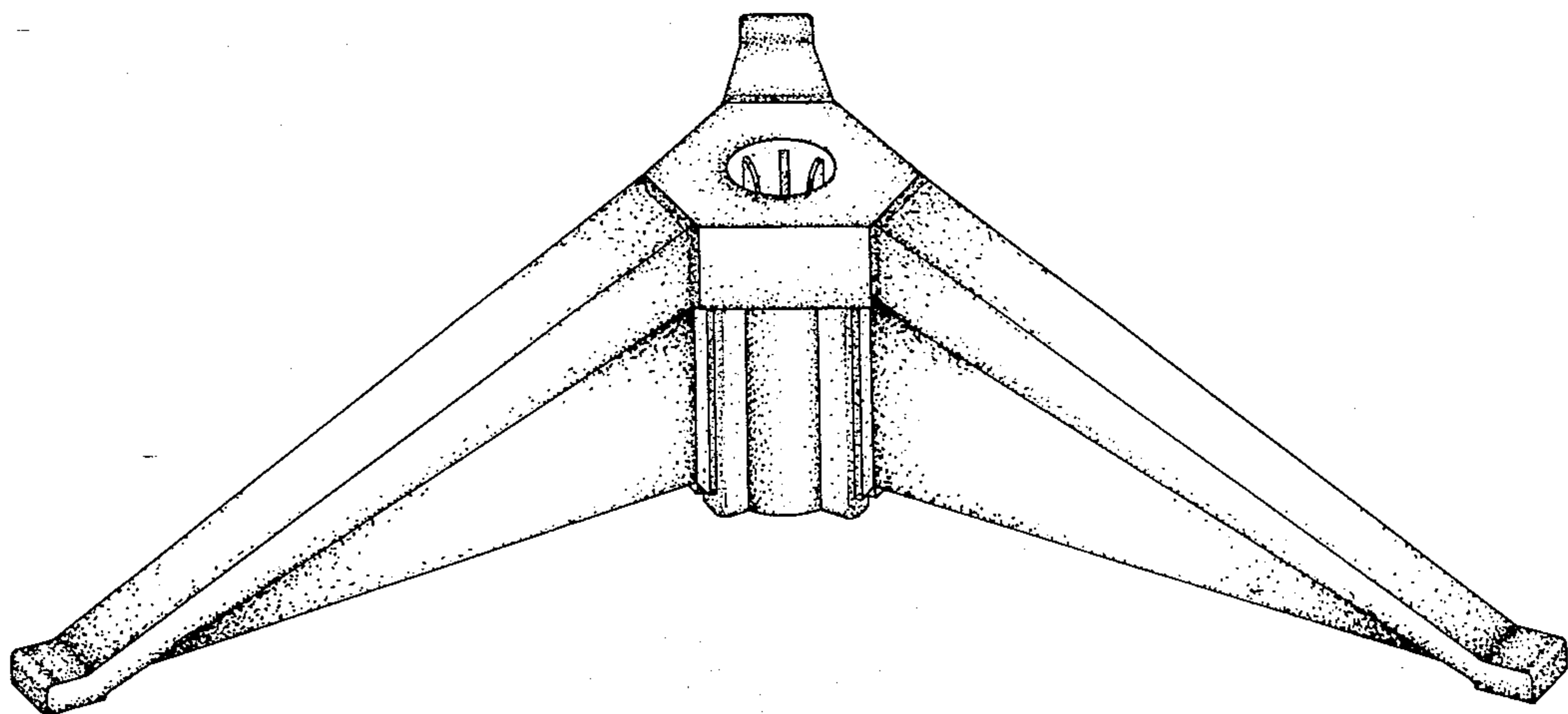


Fig. 1.

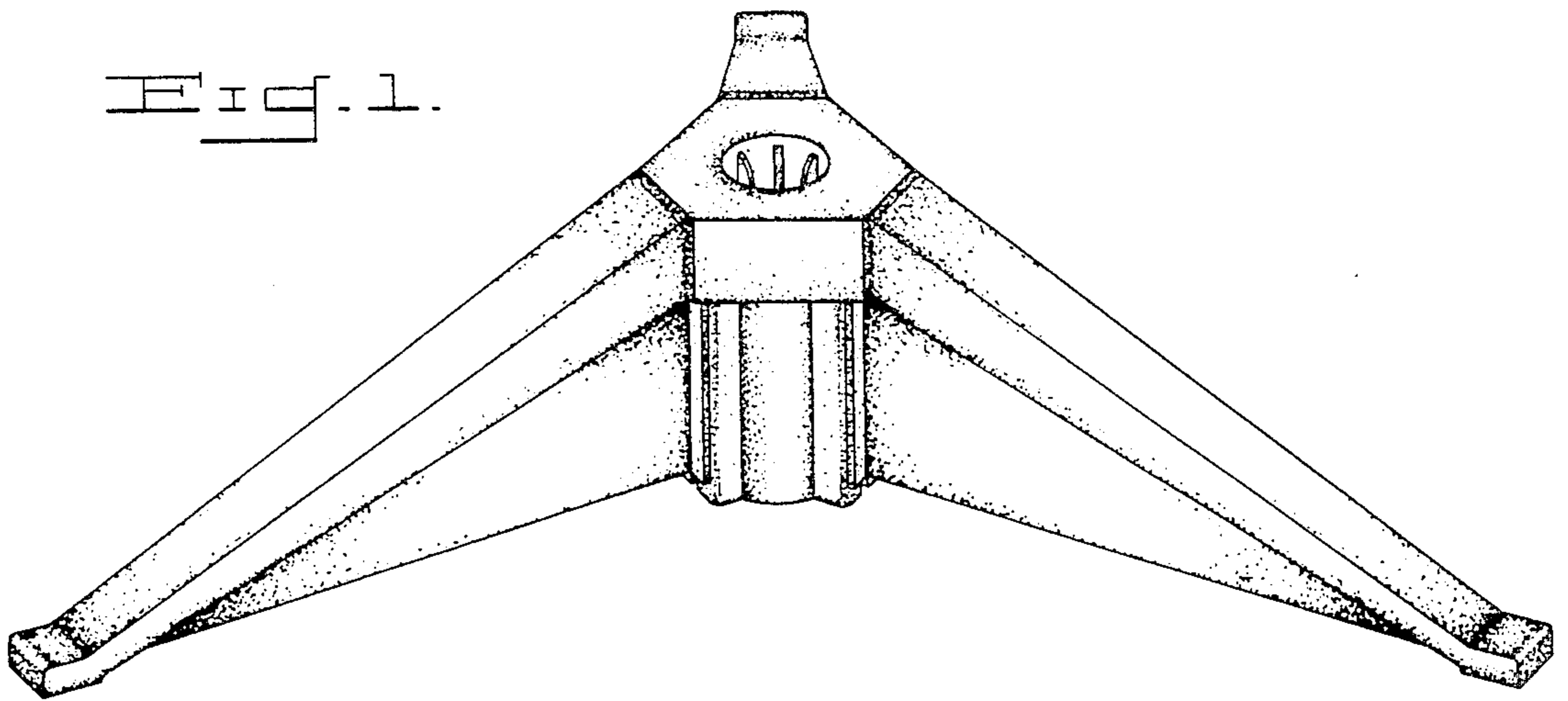


Fig. 2.

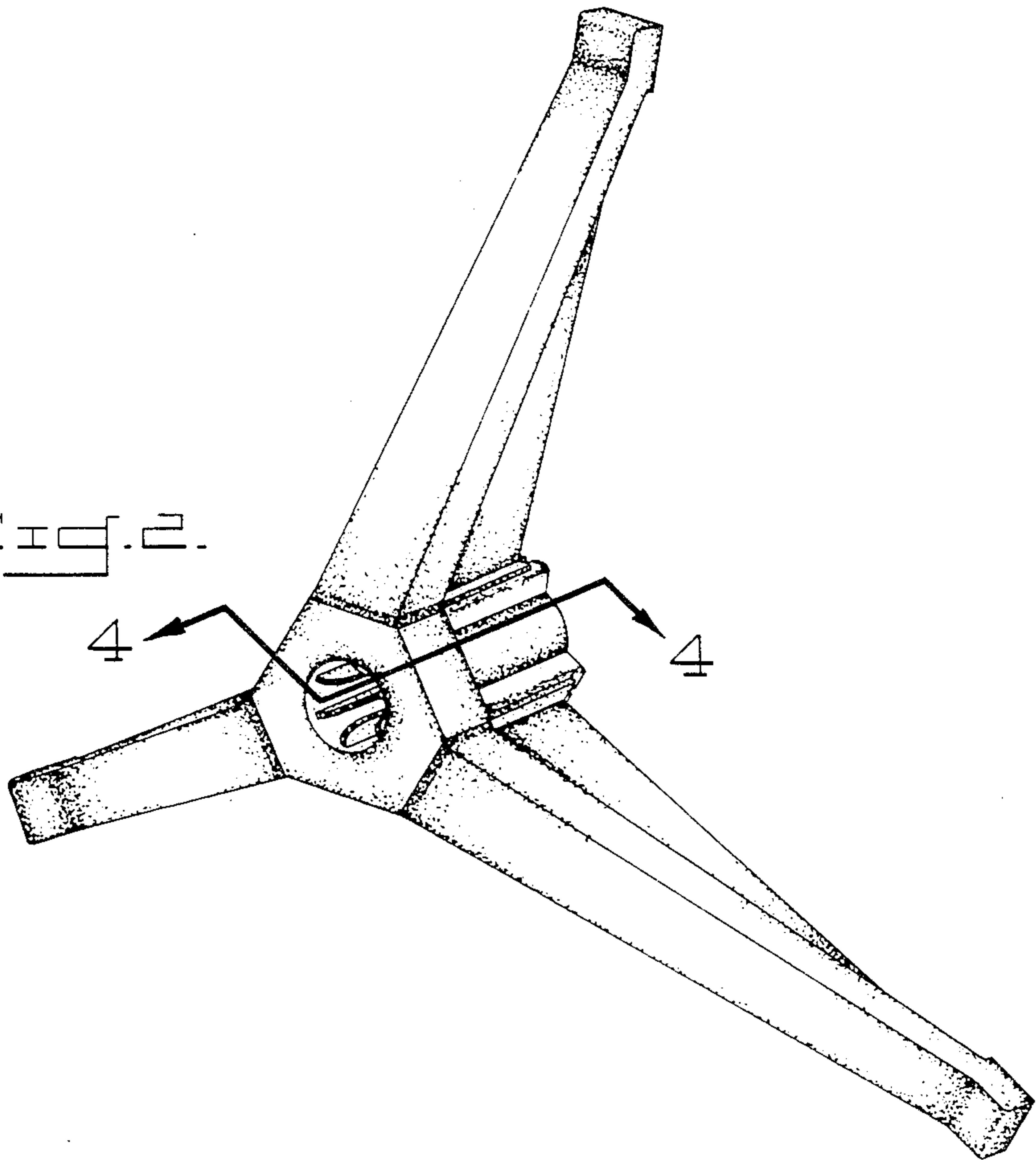


Fig. 3.

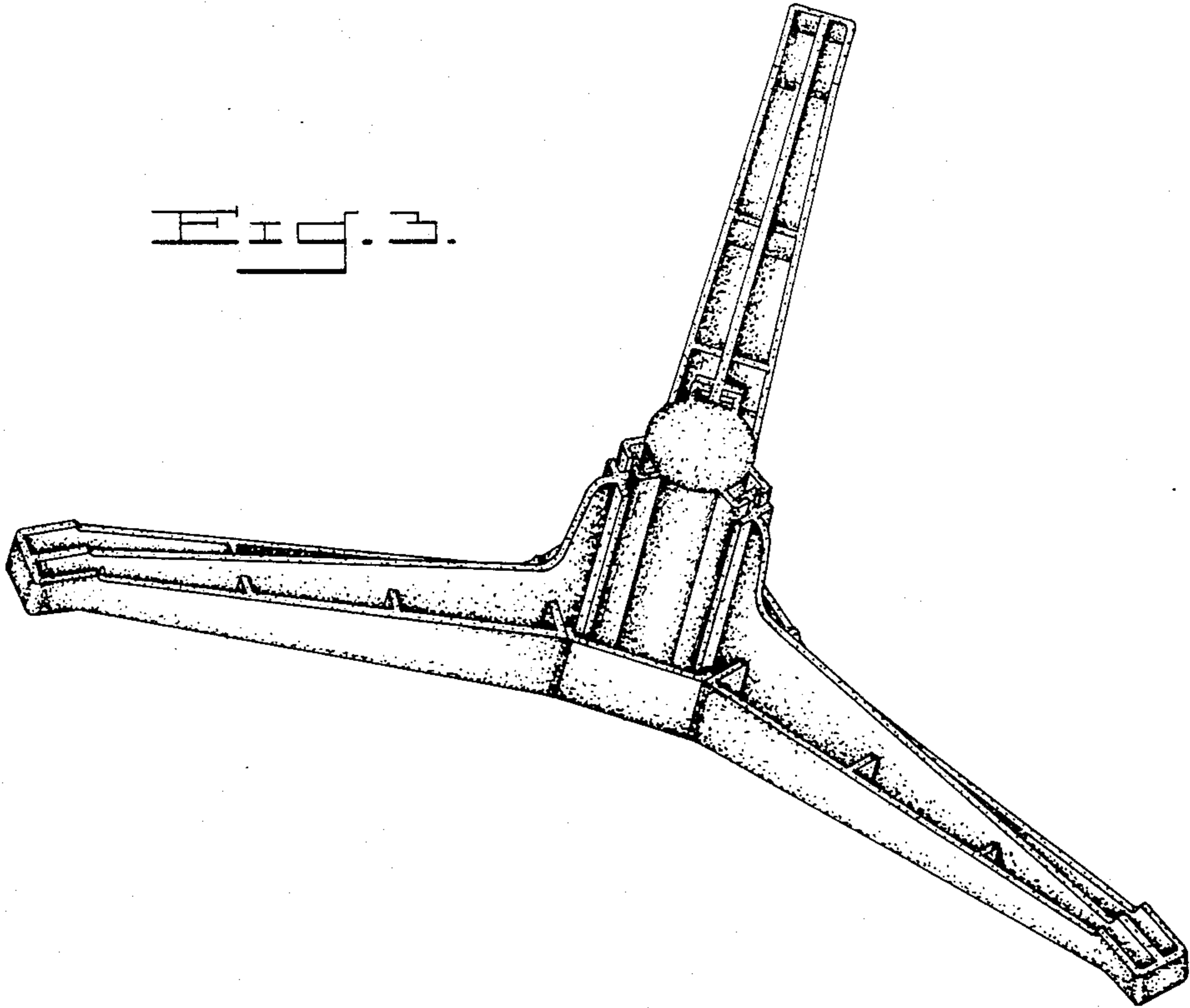


Fig. 4.

