

[54] SOAP CONTAINER

[75] Inventor: Robert L. Steiner, Chicago, Ill.

[73] Assignee: Steiner Corporation, Salt Lake City, Utah

[\*\*] Term: 14 Years

[21] Appl. No.: 430,133

[22] Filed: Sep. 30, 1982

[52] U.S. Cl. .... D9/403; D9/414

[58] Field of Search ..... D9/337, 341, 414, 401, D9/403, 405, 409, 413; 215/1 R, 1 C

[56] References Cited

U.S. PATENT DOCUMENTS

- D. 39,897 3/1909 Passano ..... D9/413
- D. 89,681 4/1933 Crimmel et al. .... D9/413
- D. 229,612 12/1973 German ..... D9/370
- D. 259,766 7/1981 Hartung ..... D9/370

- D. 262,923 2/1982 Broilliard ..... D6/545
- D. 264,183 5/1982 Schultz ..... D9/413 X
- 3,391,824 7/1968 Wiseman ..... D9/370 X

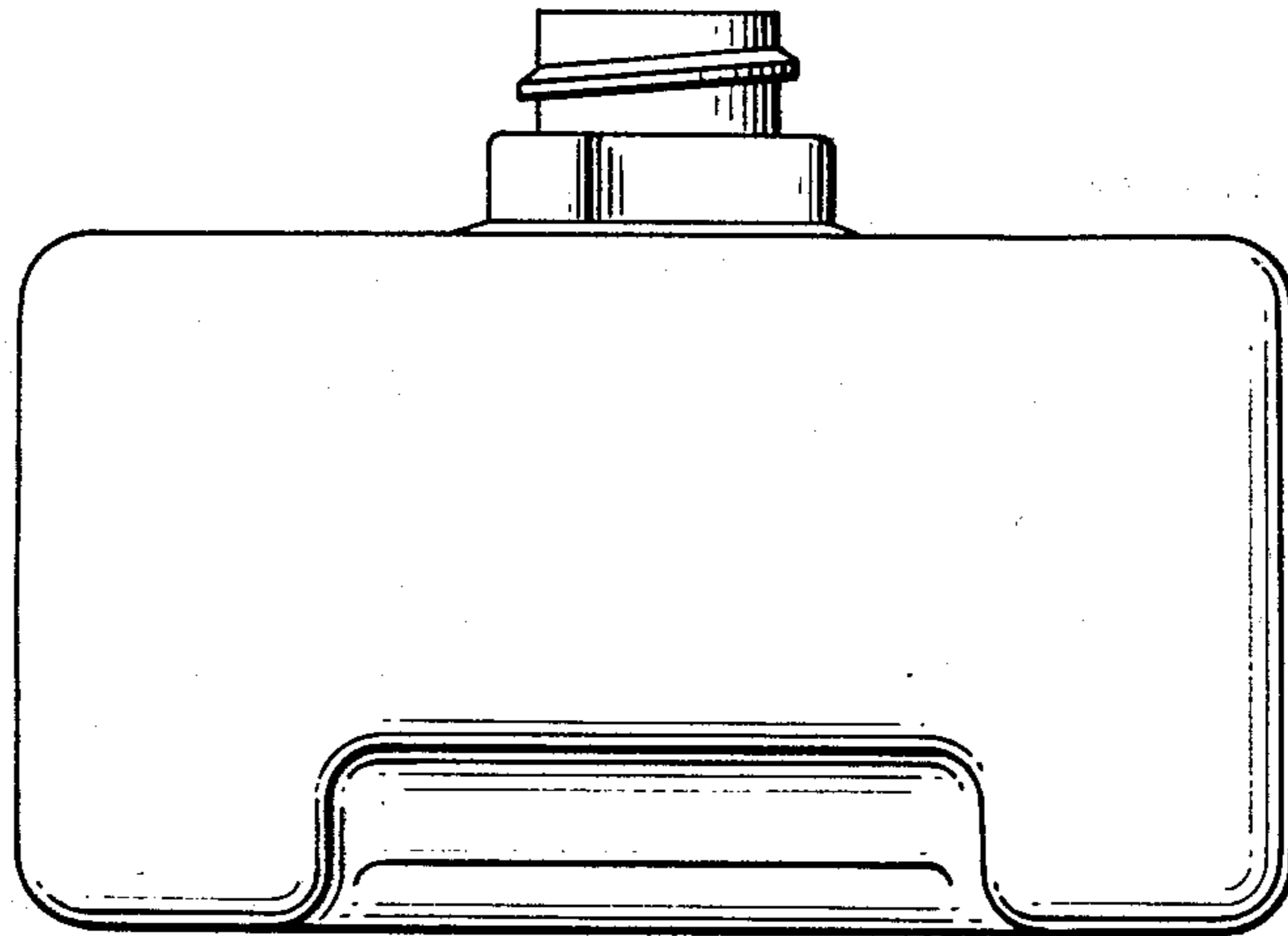
Primary Examiner—Robert C. Spangler  
Attorney, Agent, or Firm—Emrich & Dithmar

[57] CLAIM

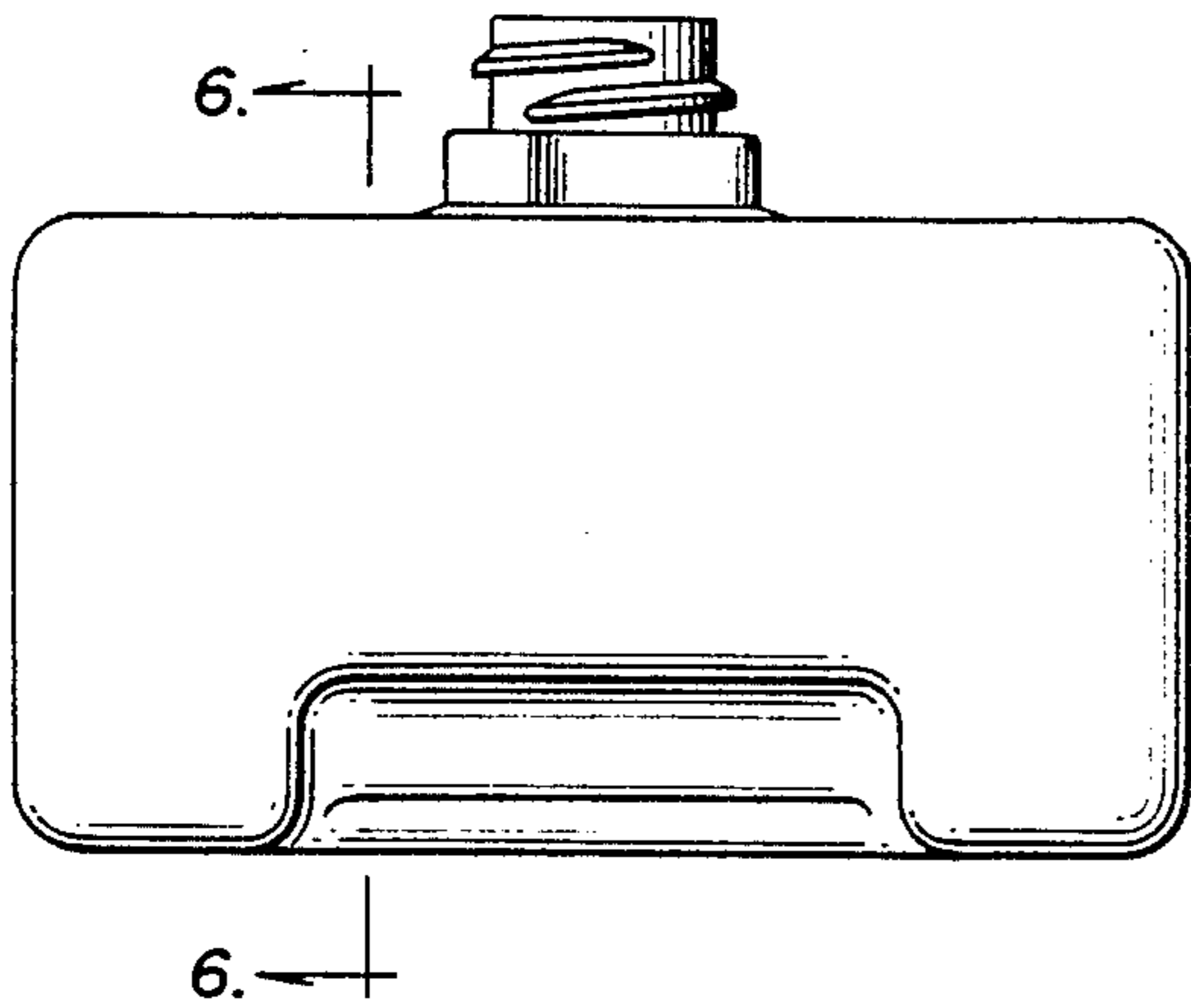
The ornamental design for a soap container, as shown and described.

DESCRIPTION

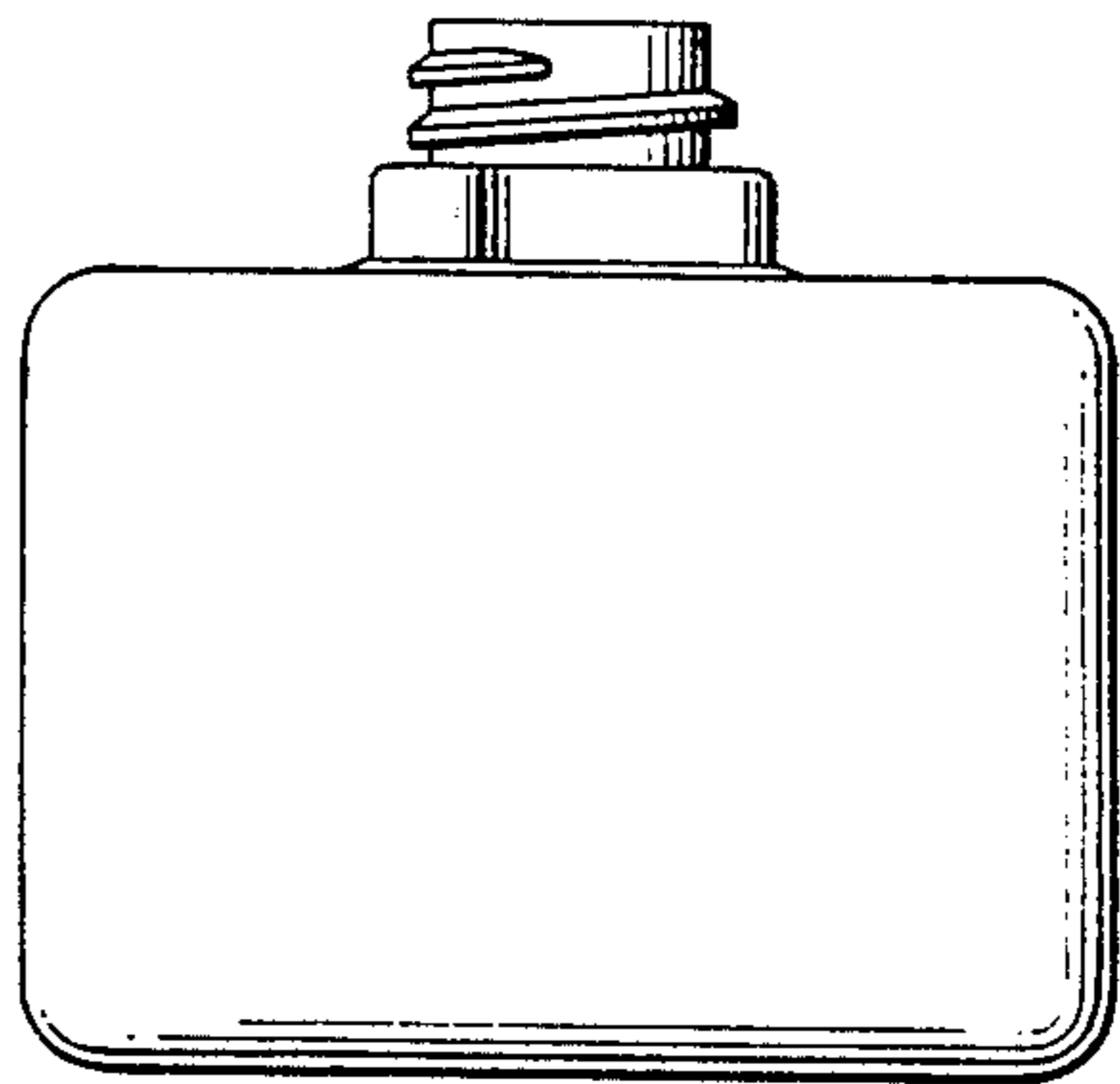
FIG. 1 is a side elevational view of a soap container showing my new design;  
 FIG. 2 is an elevational view looking from the right of FIG. 1;  
 FIG. 3 is a view showing the side opposition that seen in FIG. 1;  
 FIG. 4 is a top plan view;  
 FIG. 5 is a bottom plan view; and  
 FIG. 6 is a sectional view taken along line 6—6 in FIG. 1.



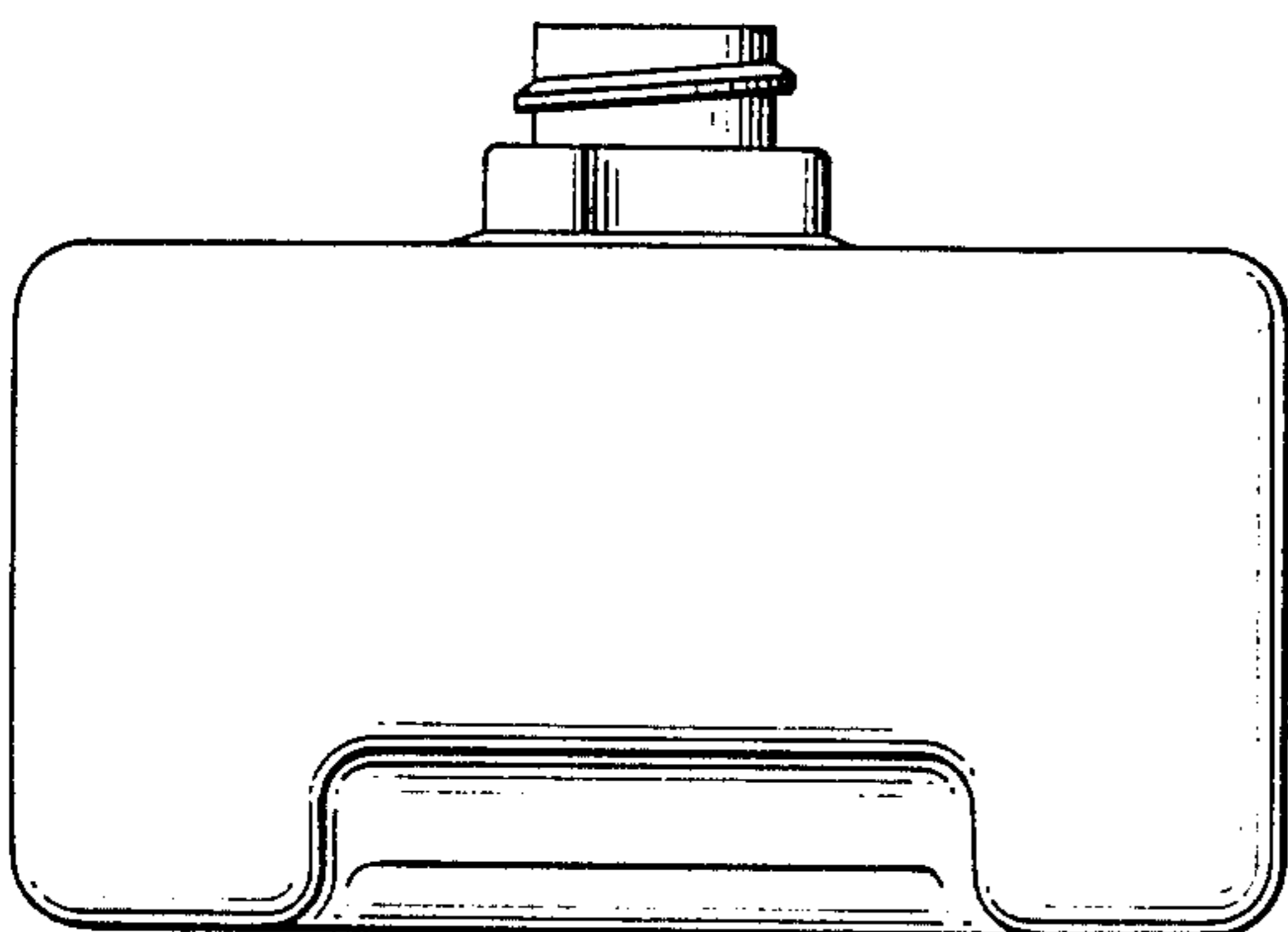
**FIG. 1**



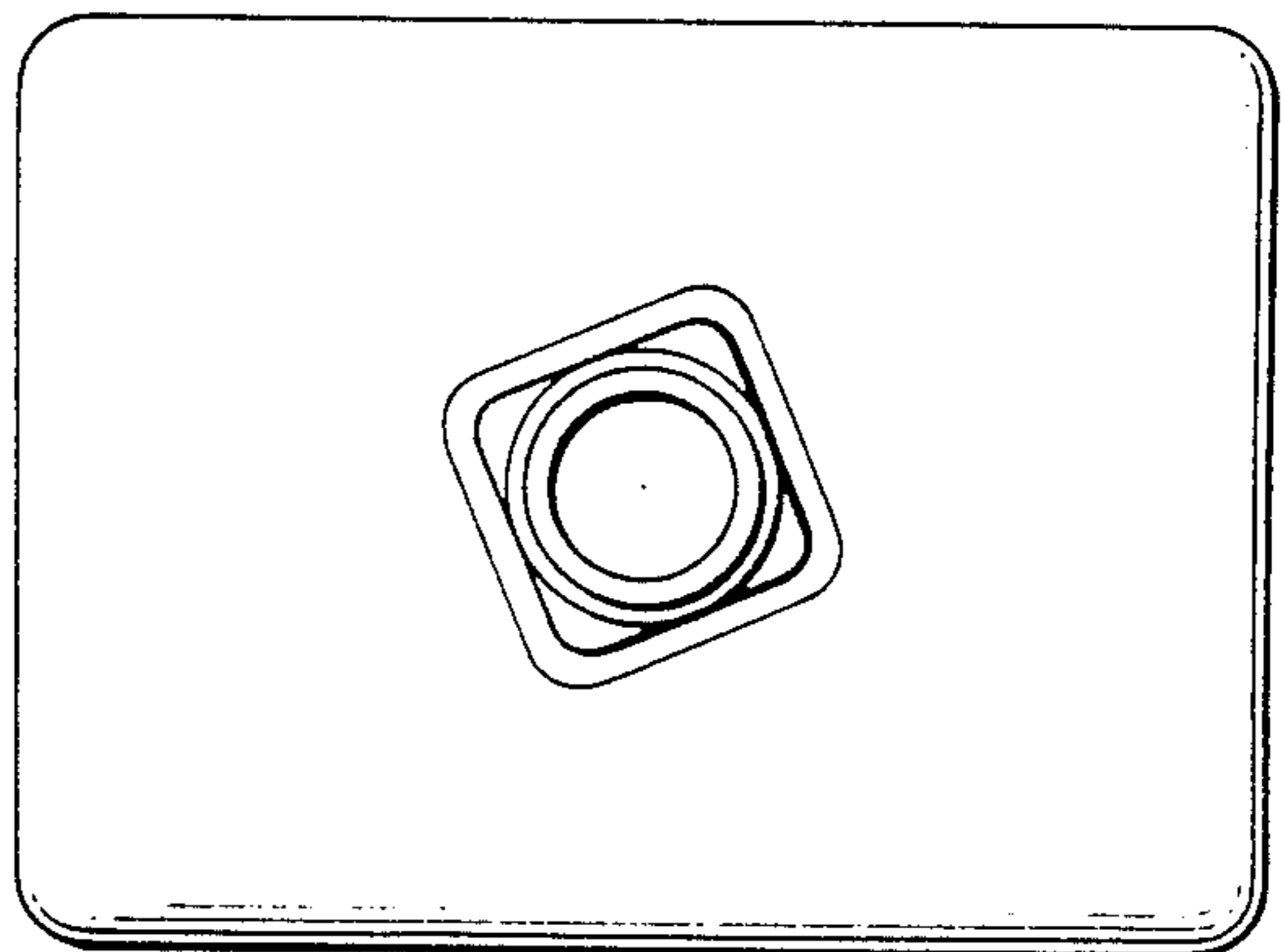
**FIG. 2**



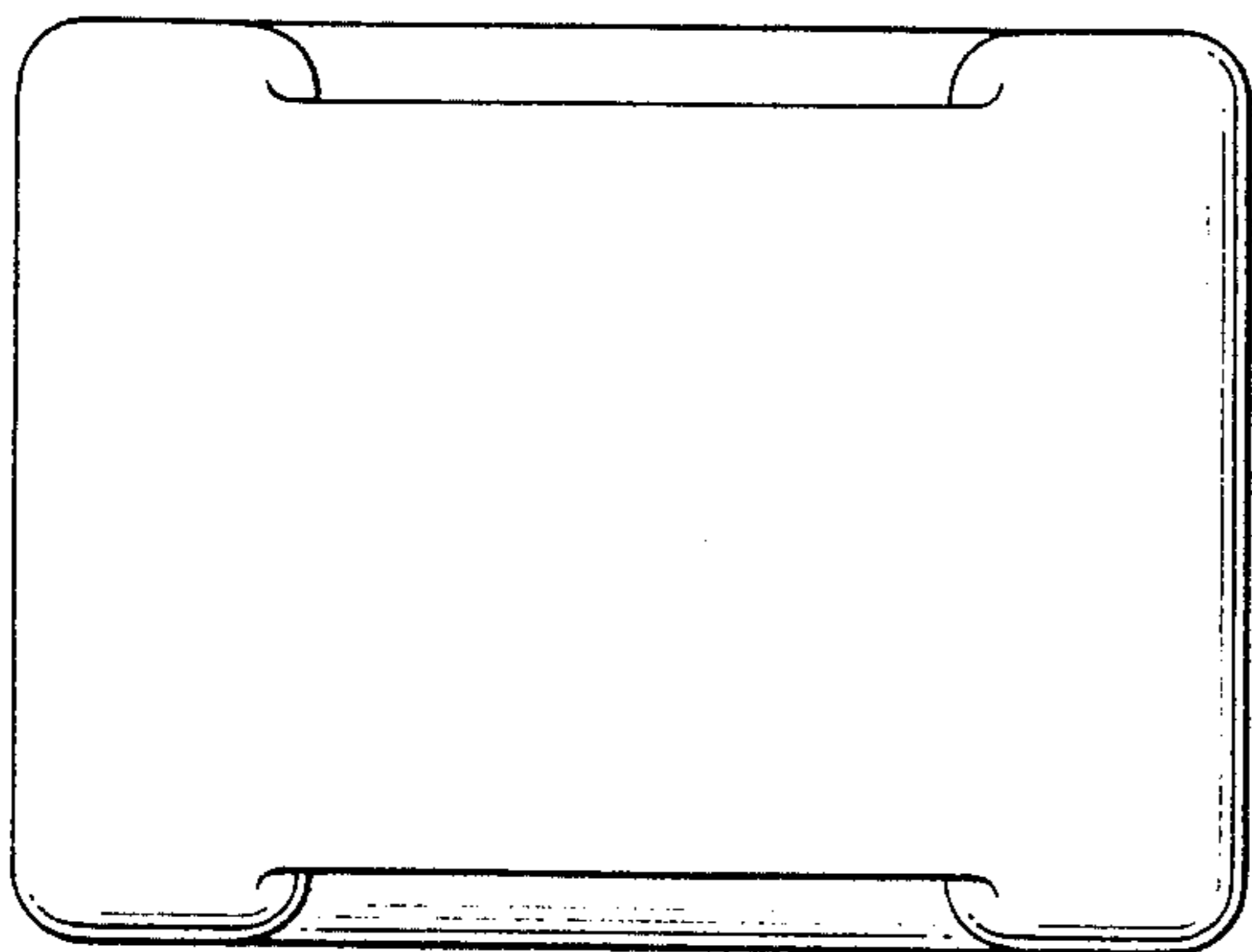
**FIG. 3**



**FIG. 4**



**FIG. 5**



**FIG. 6**

