

[54] CONTAINER FOR LIQUIDS  
 [76] Inventor: Joseph S. Kanfer, 2825 N. Walnut Ridge, Akron, Ohio 44313  
 [\*\*] Term: 14 Years  
 [21] Appl. No.: 462,531  
 [22] Filed: Jan. 31, 1983  
 [52] U.S. Cl. .... D9/375; D9/367; D9/370  
 [58] Field of Search ..... D9/367, 375, 376, 370, D9/371; 215/1 R, 1 C

D. 262,923 2/1982 Broilliard ..... D6/545  
 D. 275,650 9/1984 Guiguizian ..... D9/371

Primary Examiner—Robert C. Spangler  
 Attorney, Agent, or Firm—Reese Taylor

[57] CLAIM

The ornamental design for a container for liquids, as shown and described.

DESCRIPTION

FIG. 1 is a perspective view of a container for liquids showing my new design.

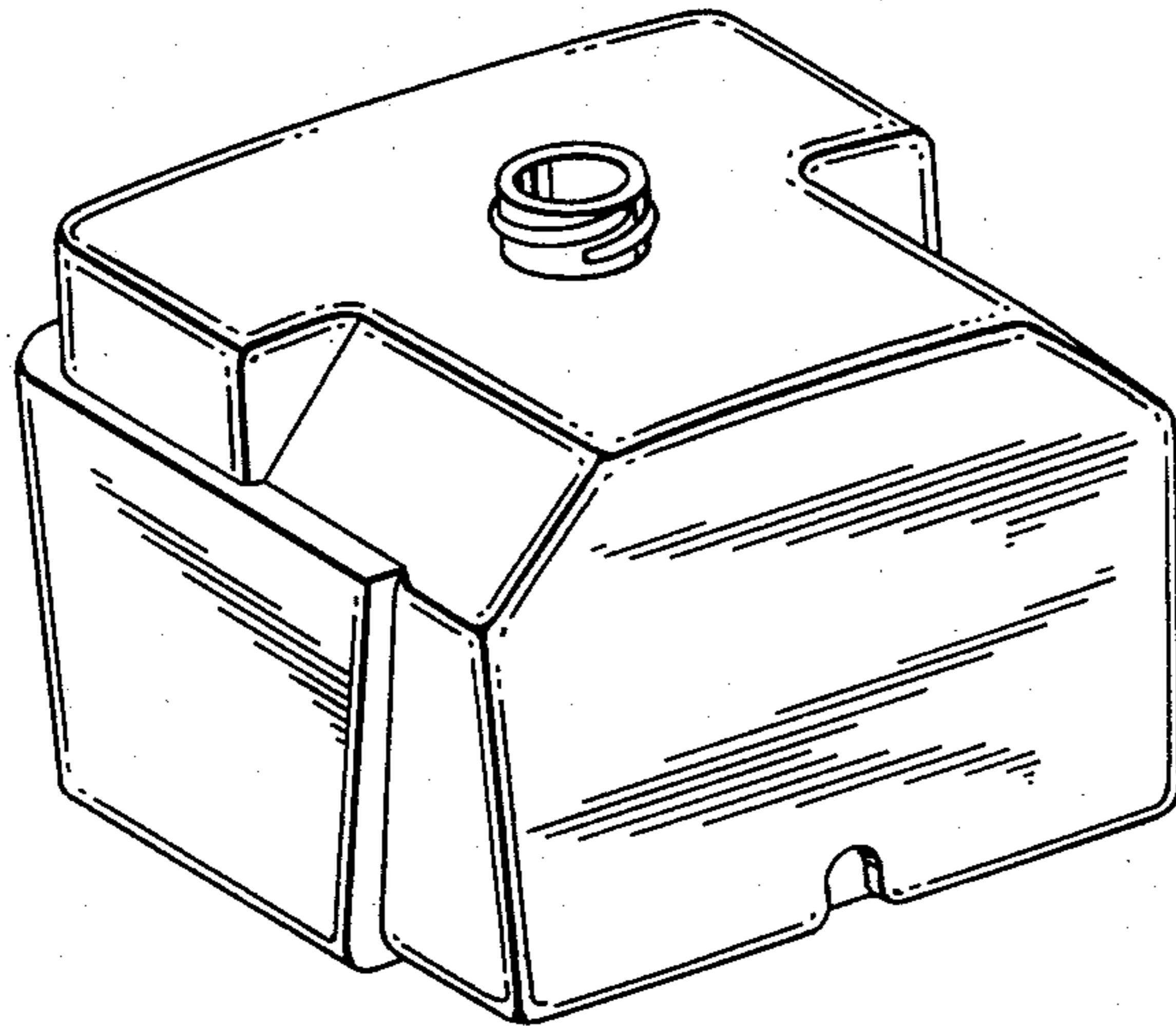
FIG. 2 is a front elevational view thereof.

FIG. 3 is a side elevational view taken from the right of FIG. 2.

FIG. 4 is a bottom plan view thereof.

The side opposite that shown in FIG. 3 is a mirror image thereof.

[56] References Cited  
 U.S. PATENT DOCUMENTS  
 D. 87,108 6/1932 Ford ..... D9/375 X  
 D. 206,498 12/1966 Pastorius ..... D9/367  
 D. 244,290 5/1977 Alger et al. .... D23/2



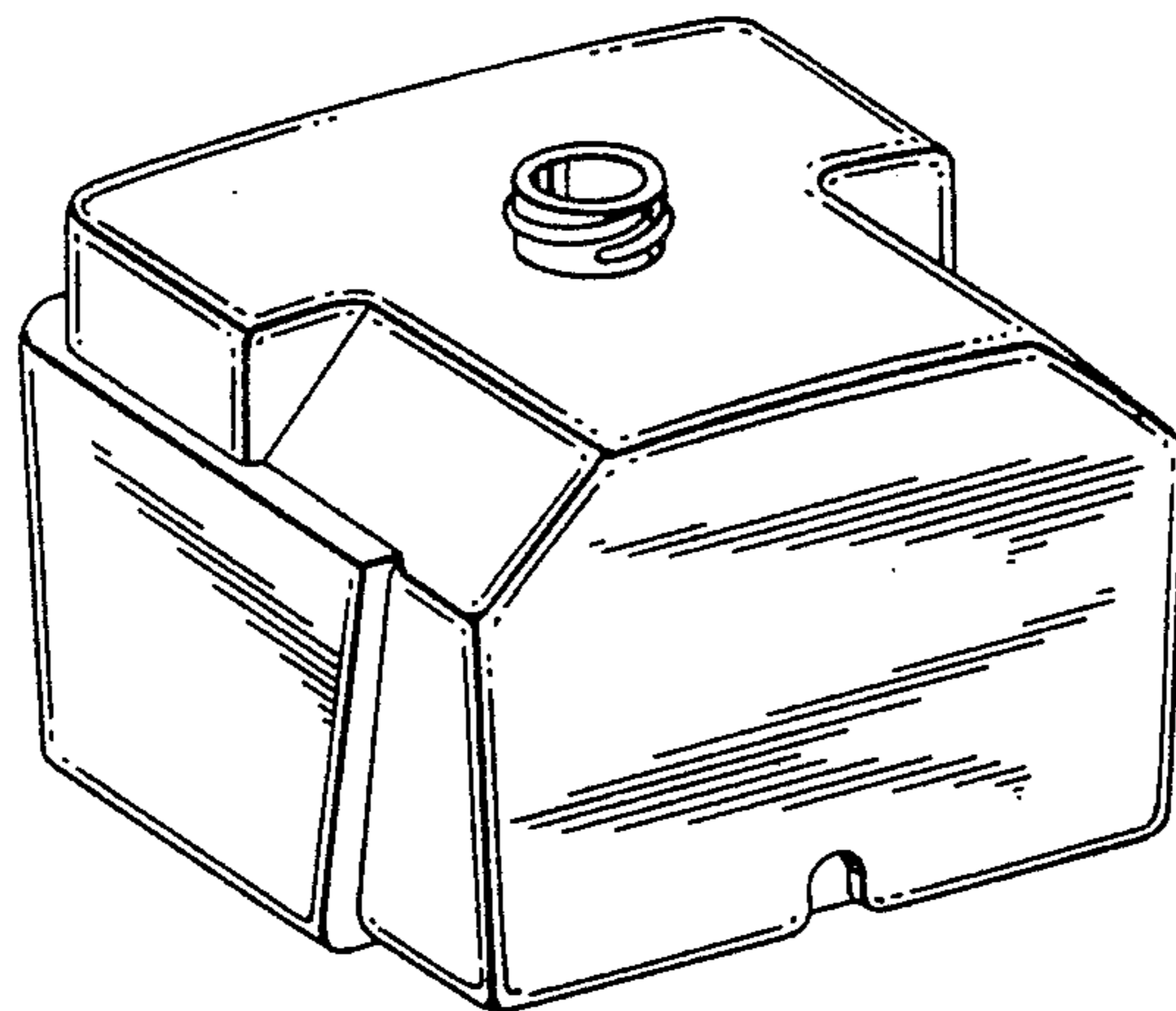


FIG. 1

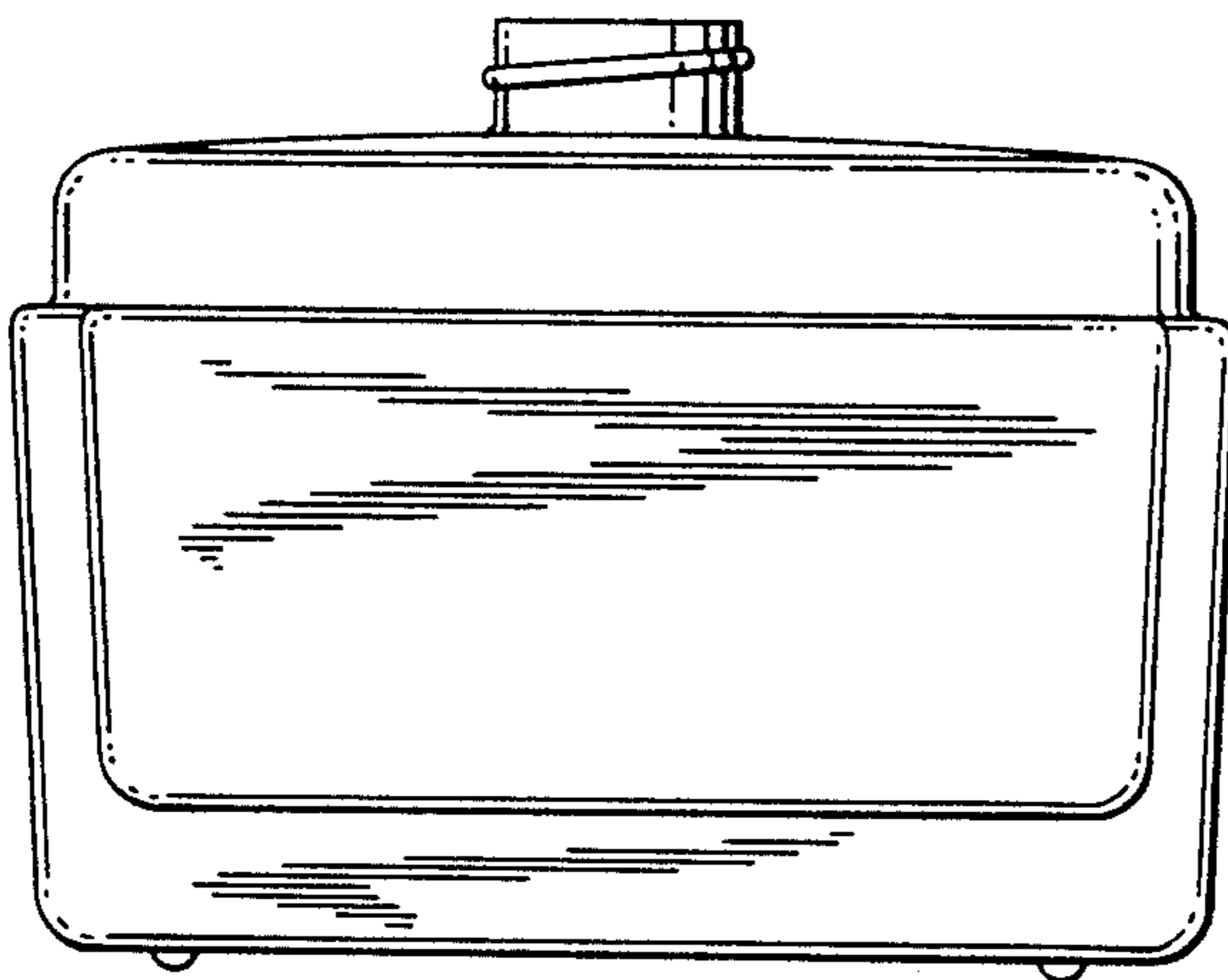


FIG. 2

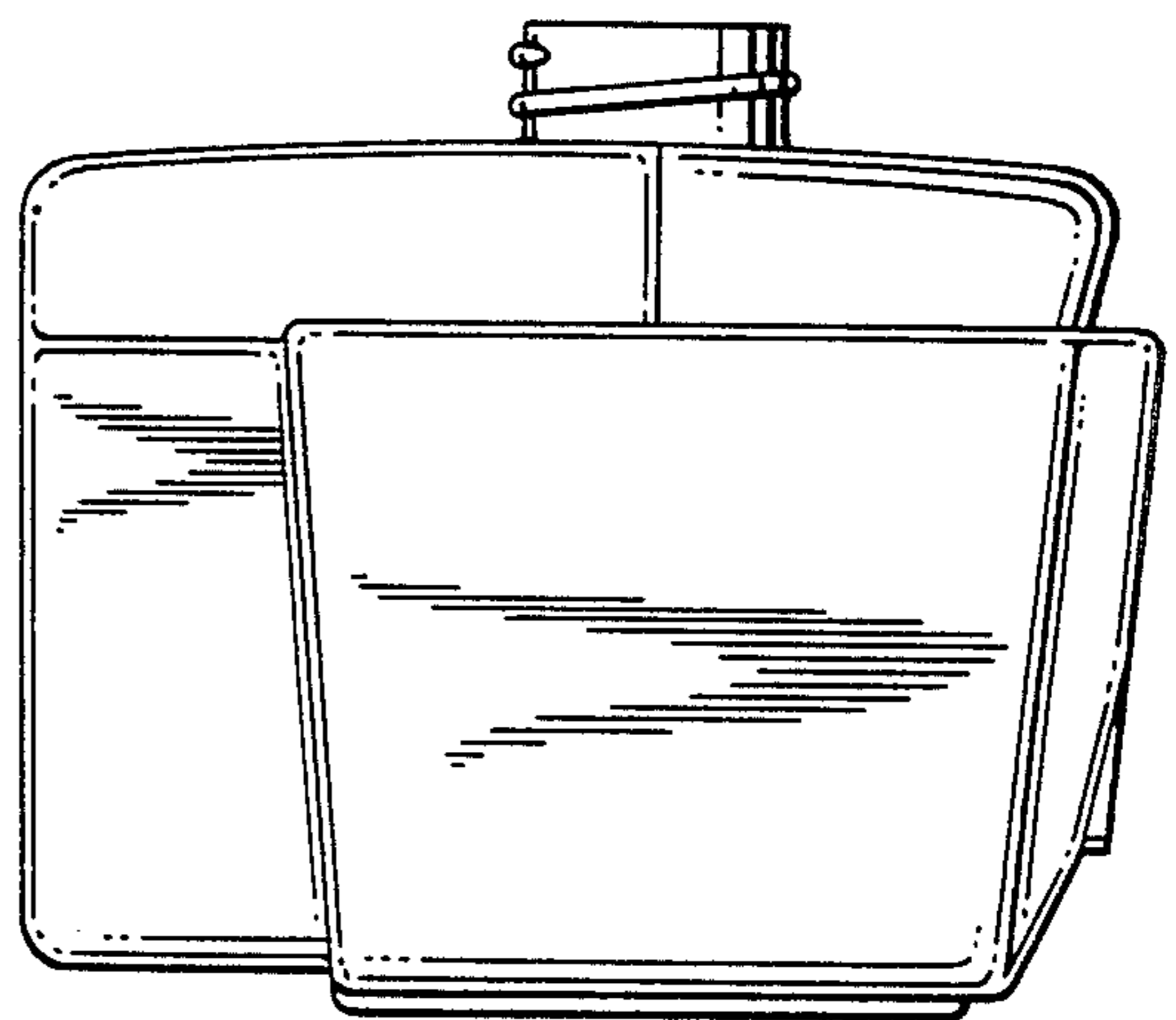


FIG. 3

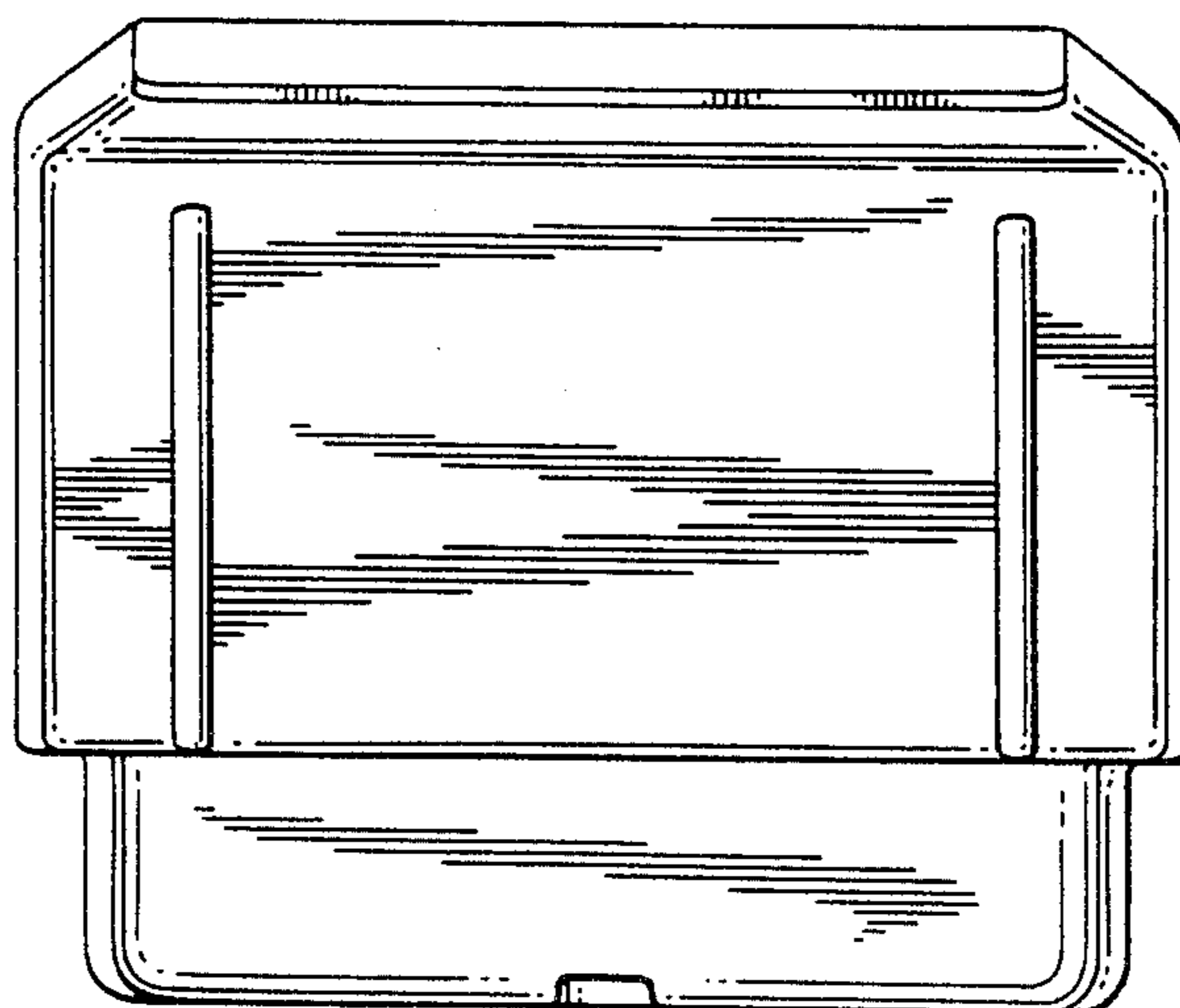


FIG. 4