

[54] KITE RETRIEVER

[76] Inventor: Woodroe C. Nicholson, R.R. #3, Lakefield, Ontario, Canada, K0L 2H0

[**] Term: 14 Years

[21] Appl. No.: 406,386

[22] Filed: Aug. 9, 1982

[30] Foreign Application Priority Data

Aug. 6, 1982 [CA] Canada 06-08-82-5

[52] U.S. Cl. D8/359; D8/358

[58] Field of Search D8/358, 359; D21/90; 244/155 R, 155 A; 242/96, 84.8

[56] References Cited

U.S. PATENT DOCUMENTS

| | | | |
|------------|---------|--------------|-----------|
| 103,668 | 5/1870 | Sheldon | 242/96 |
| D. 194,753 | 3/1963 | Haller | 242/46 UX |
| D. 211,654 | 7/1968 | Beiderwall | D8/359 |
| 578,205 | 3/1897 | Brown et al. | 242/84.8 |
| 974,417 | 11/1910 | Morgan | 242/84.8 |
| 2,706,096 | 4/1955 | Ruffle | 242/99 |
| 3,001,738 | 9/1961 | Quenot | 242/84.8 |
| 3,044,731 | 7/1962 | Zelnick | 242/84.8 |

| | | | |
|-----------|---------|---------------|-----------|
| 3,261,567 | 7/1966 | Quenot | 242/84.8 |
| 3,347,487 | 10/1967 | Sellen et al. | 242/84.8 |
| 3,355,129 | 11/1967 | Kinsey | 244/155 A |
| 3,520,487 | 7/1970 | Quenot | 242/84.8 |
| 3,784,125 | 1/1974 | Laev | 242/96 |
| 4,461,438 | 7/1984 | Pook et al. | 244/155 R |

FOREIGN PATENT DOCUMENTS

| | | | |
|---------|--------|----------------|--------|
| 98733 | 8/1961 | Norway | 242/96 |
| 1544479 | 4/1979 | United Kingdom | 242/96 |

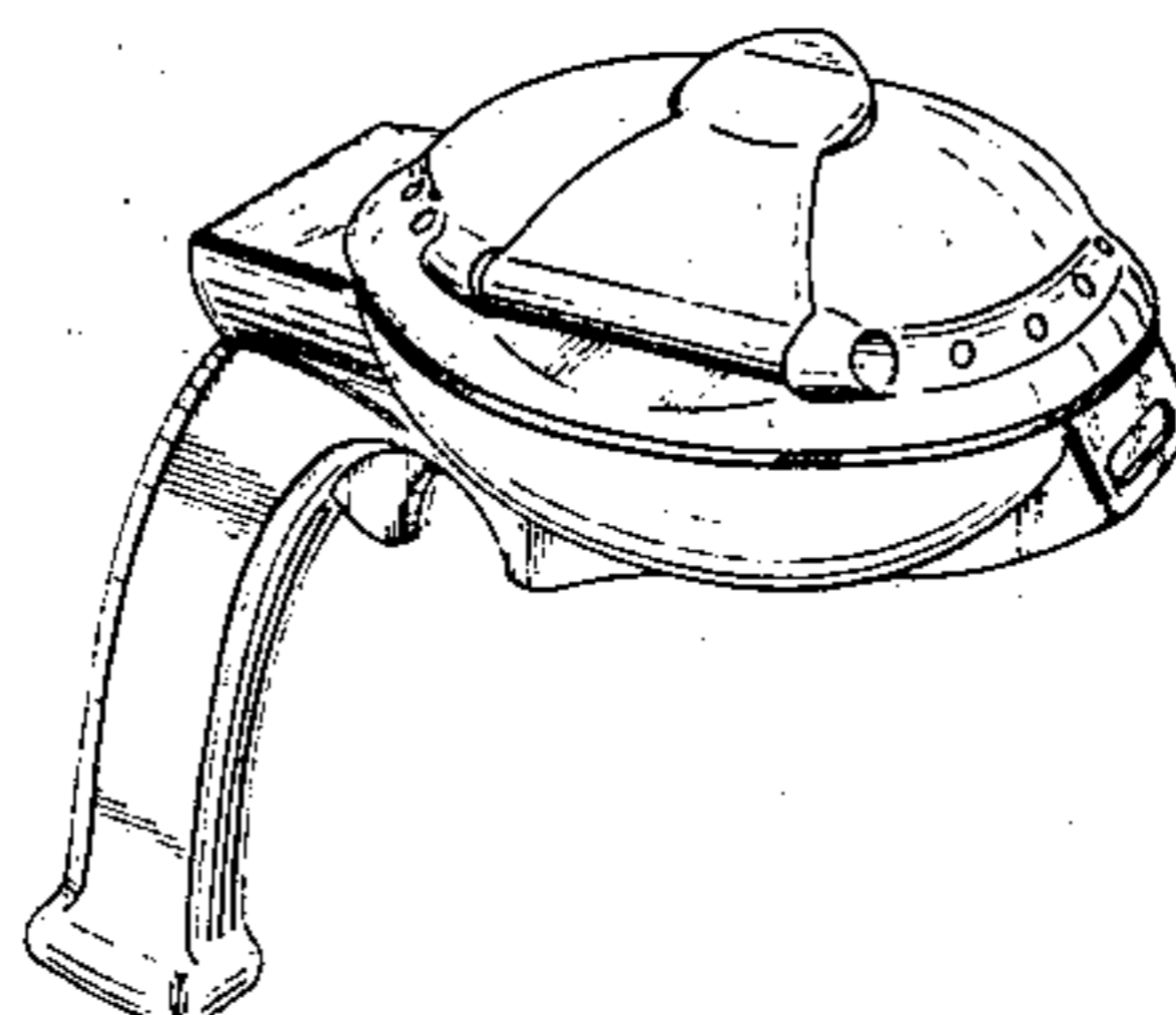
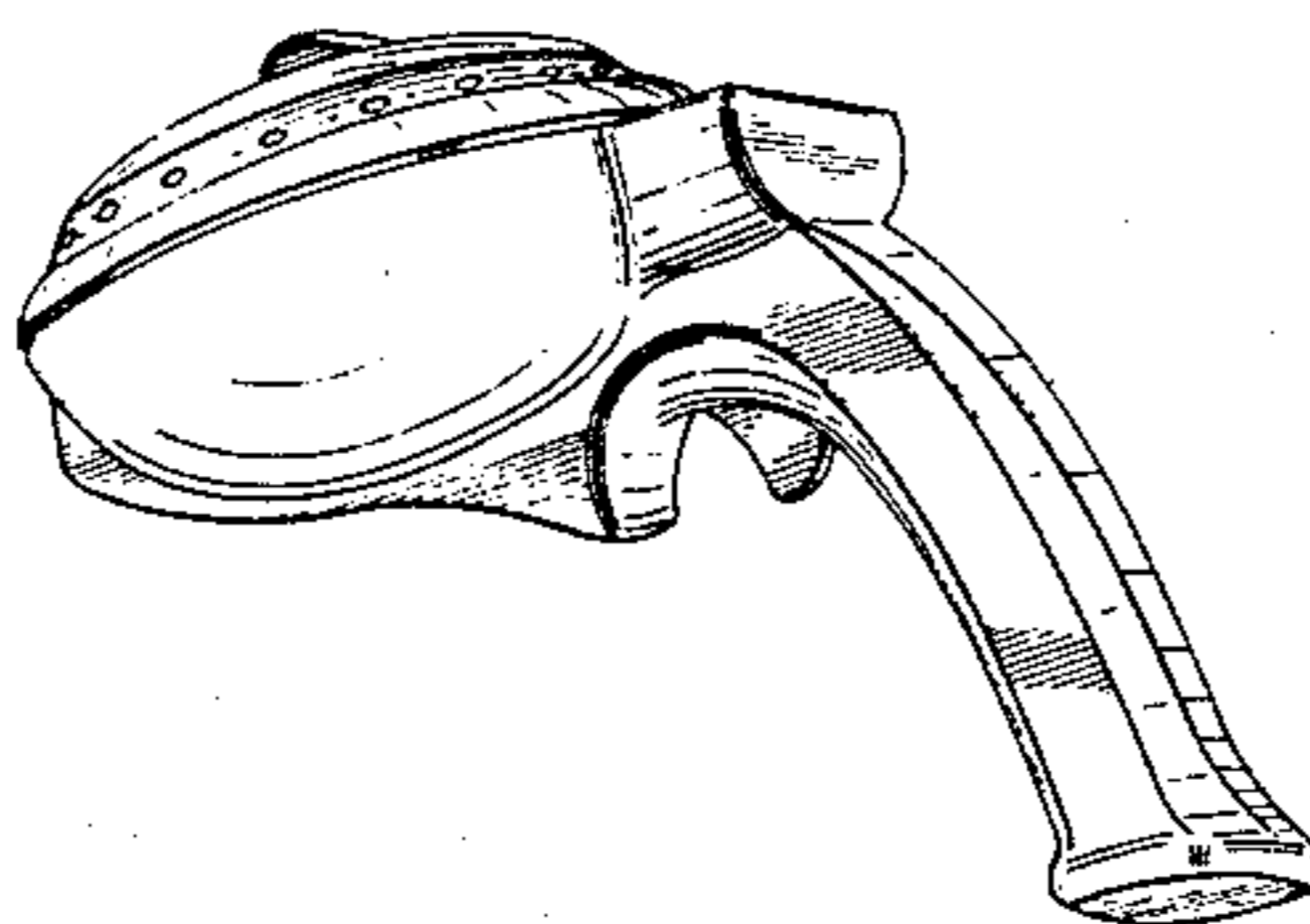
Primary Examiner—A. Hugo Word
Assistant Examiner—Horace B. Fay
Attorney, Agent, or Firm—Ridout & Maybee

[57] CLAIM

The ornamental design for a kite retriever, substantially as shown and described.

DESCRIPTION

FIG. 1 is a perspective view of a kite retriever showing my new design as seen from the front, top and one side; FIG. 2 is a view similar to FIG. 1 but as seen from the back, bottom and other side thereof; FIG. 3 is a perspective view thereof as seen from the bottom, one side and part of the other; FIG. 4 is a side elevational view thereof; and FIG. 5 is a top plan view thereof.



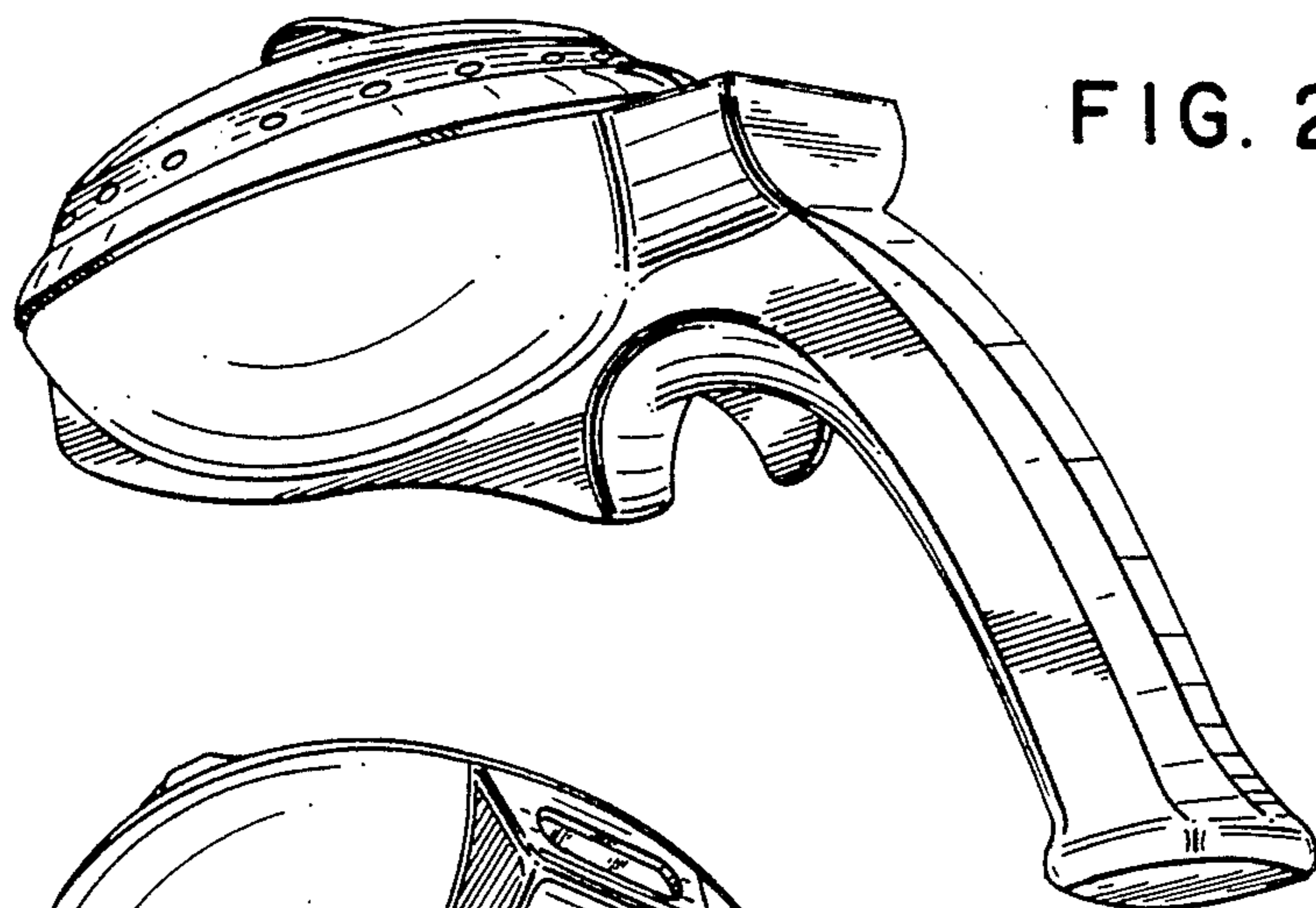


FIG. 2

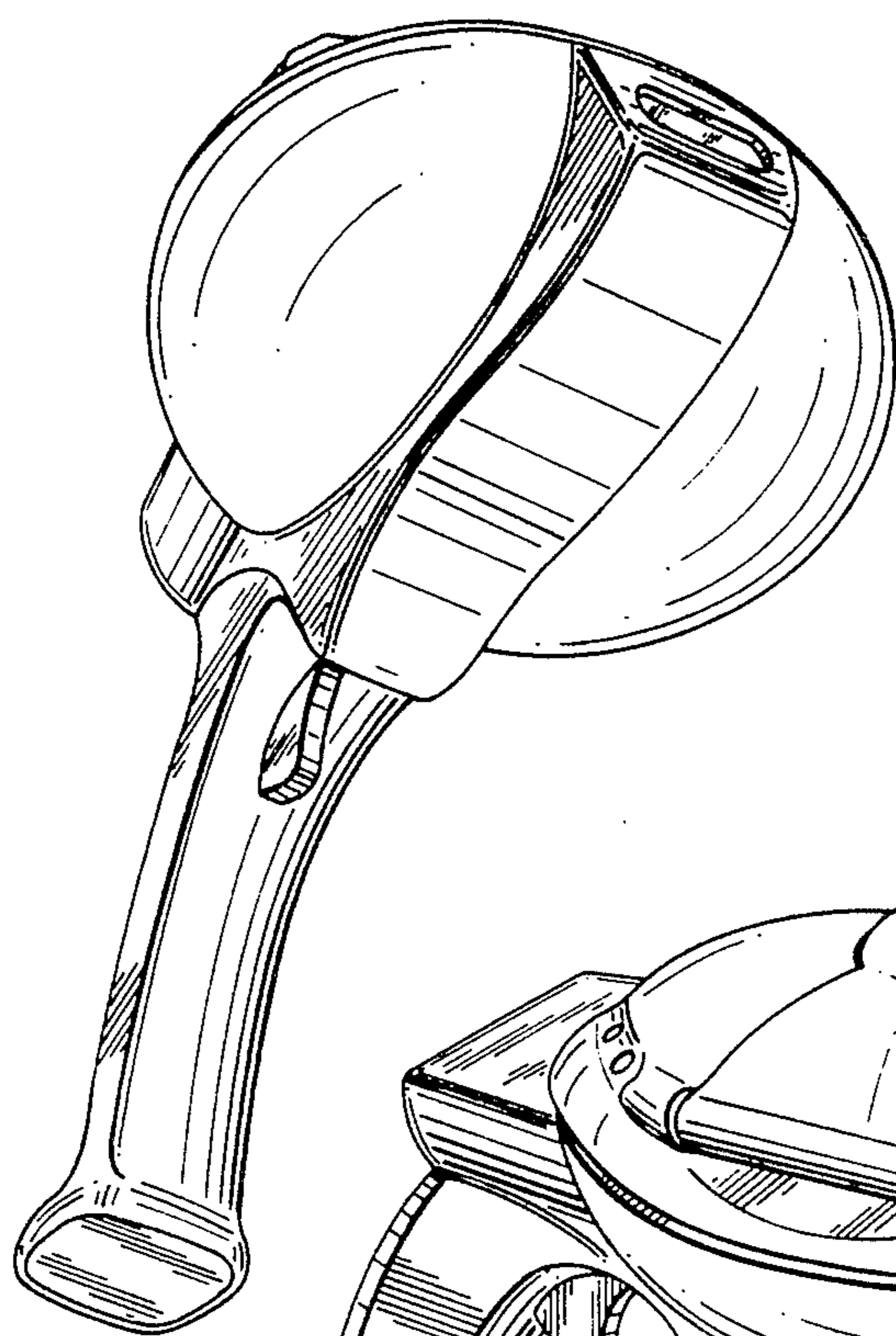


FIG. 3

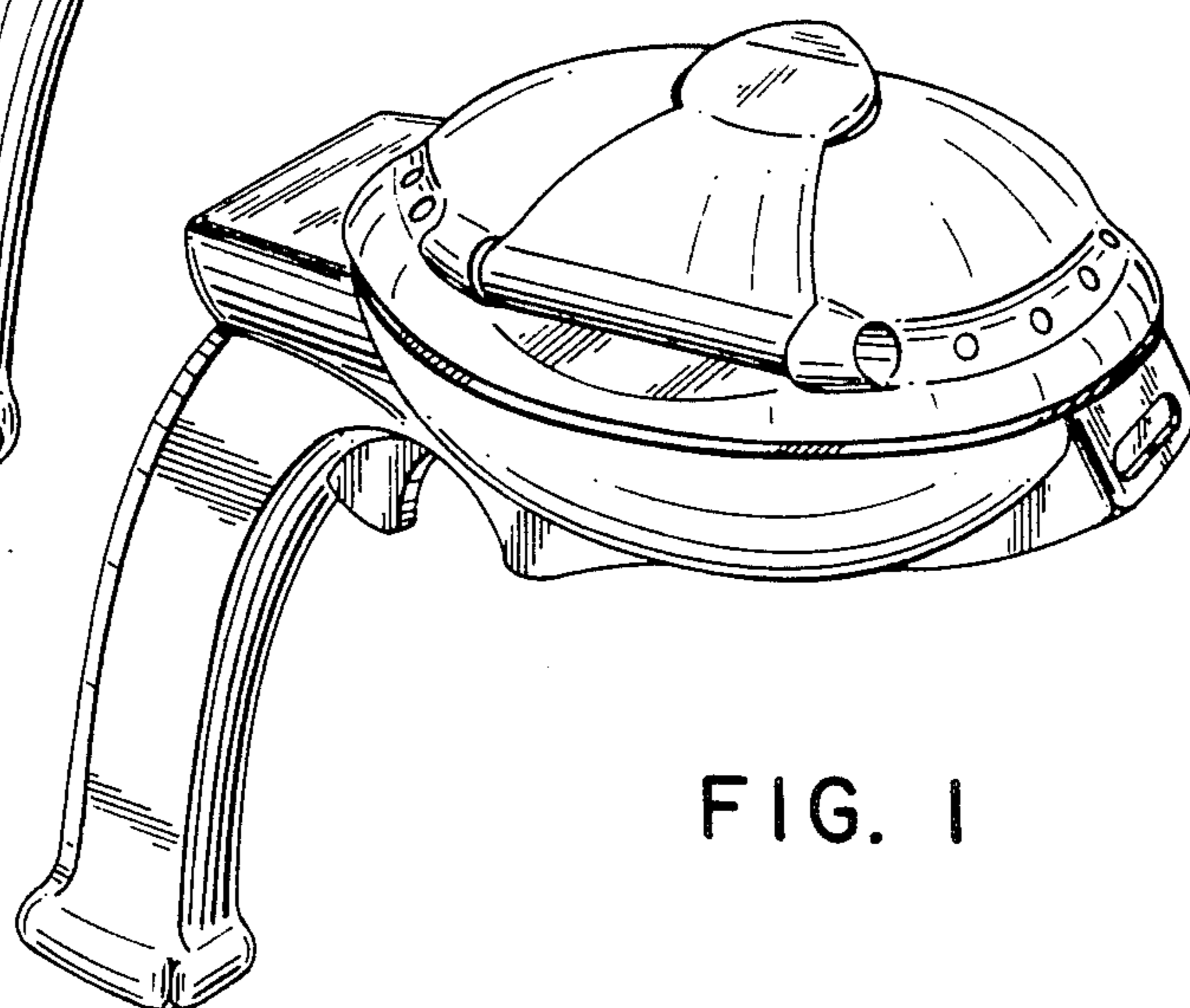


FIG. 1

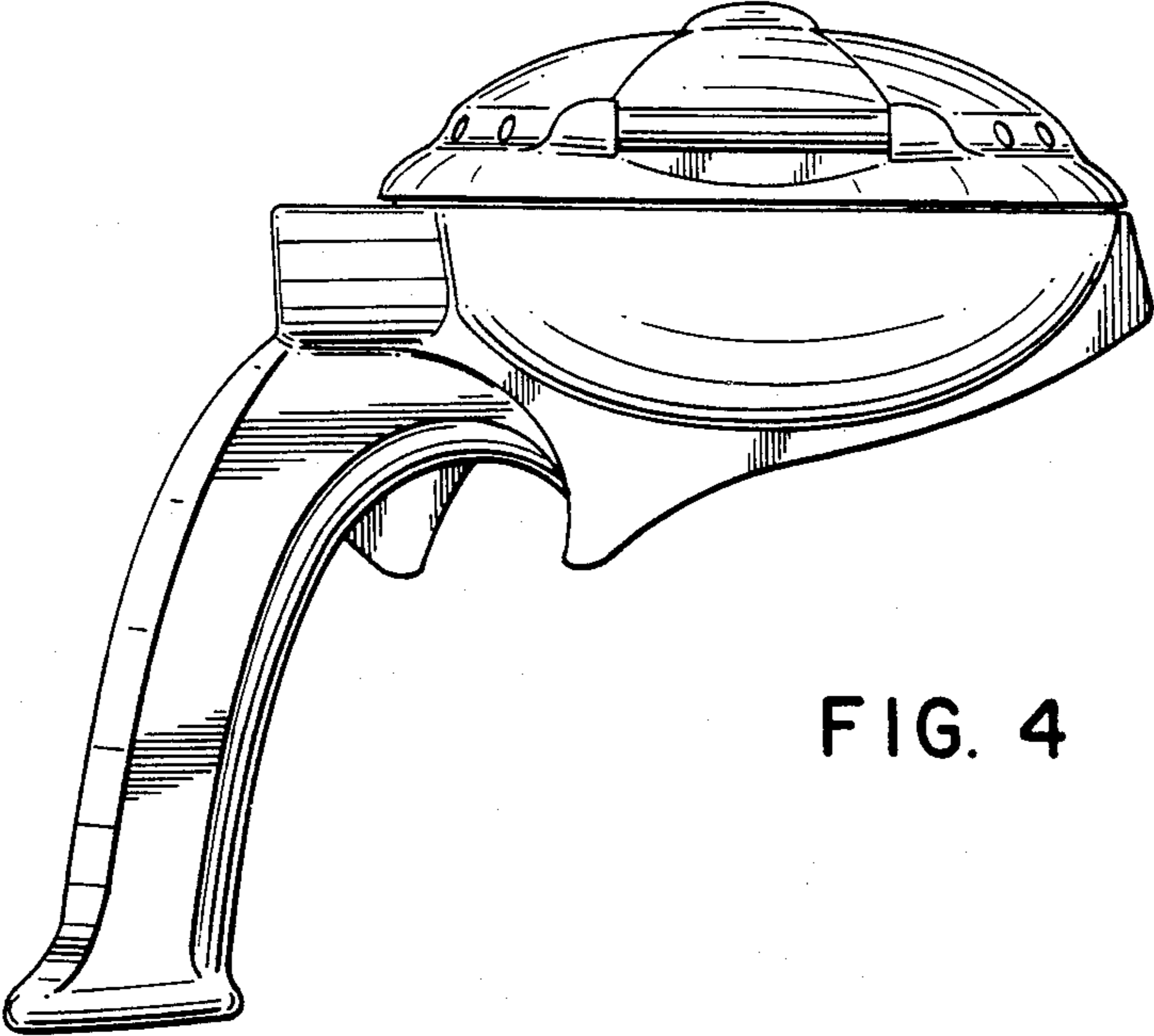


FIG. 4

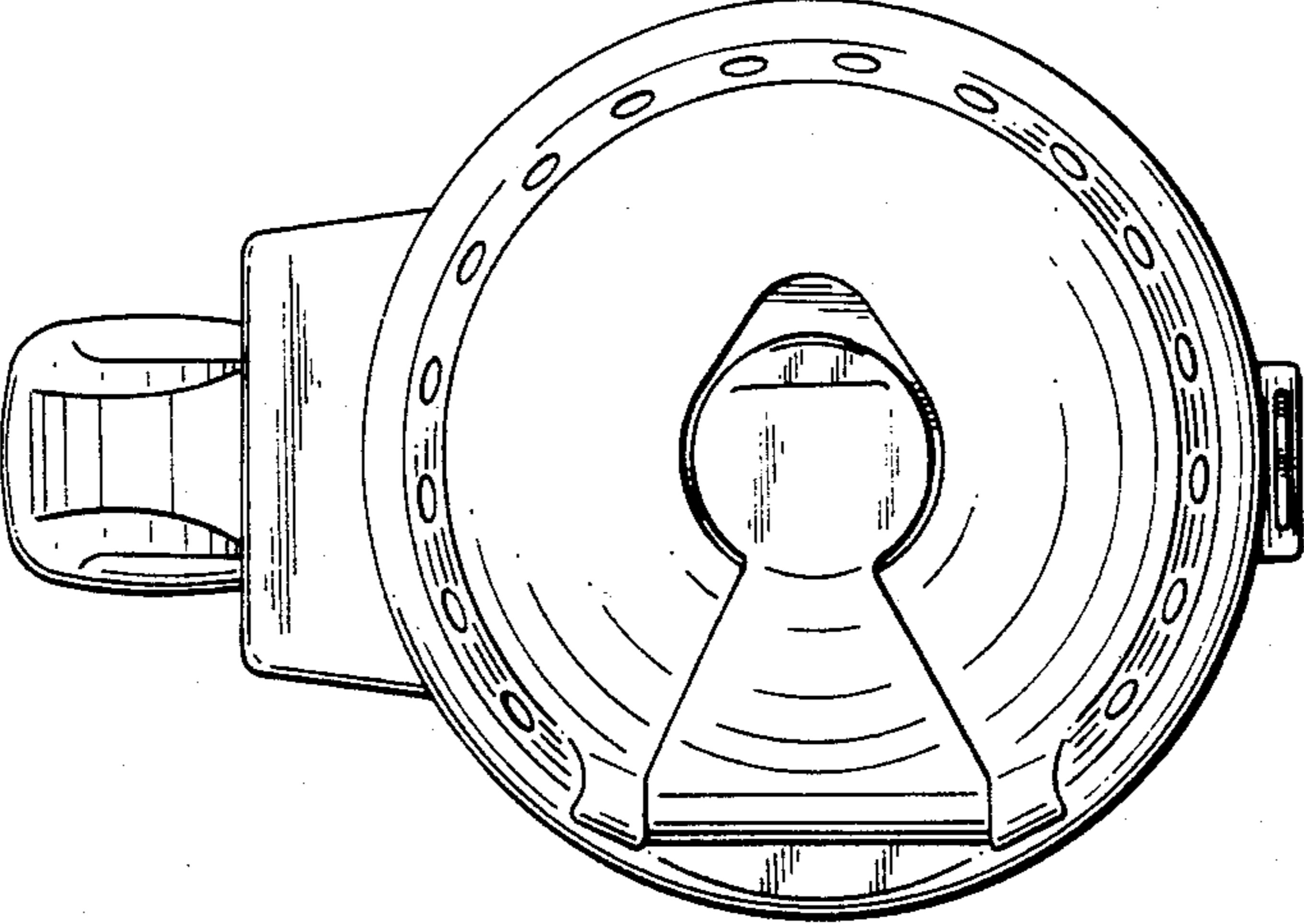


FIG. 5