

[54] COMMUNICATION PLUG INSTALLATION TOOL

[75] Inventor: Daniel Meyer, Hector, Minn.

[73] Assignee: Communications Systems, Inc., Hector, Minn.

[**] Term: 14 Years

[21] Appl. No.: 405,293

[22] Filed: Aug. 4, 1982

[52] U.S. Cl. D8/52; D8/55

[58] Field of Search D8/51, 52, 54; 7/107, 7/158; 81/418, 420, 425 R, 426; 29/268, 270, 243.5; 72/453.16, 410, 409

[56] References Cited

U.S. PATENT DOCUMENTS

3,314,272 4/1967 Dahl 72/409 X
4,081,871 4/1978 Knuth 7/107

OTHER PUBLICATIONS

Futureonics, Inc. *Modular Crimping Tool Instructions*, Publication date unknown.

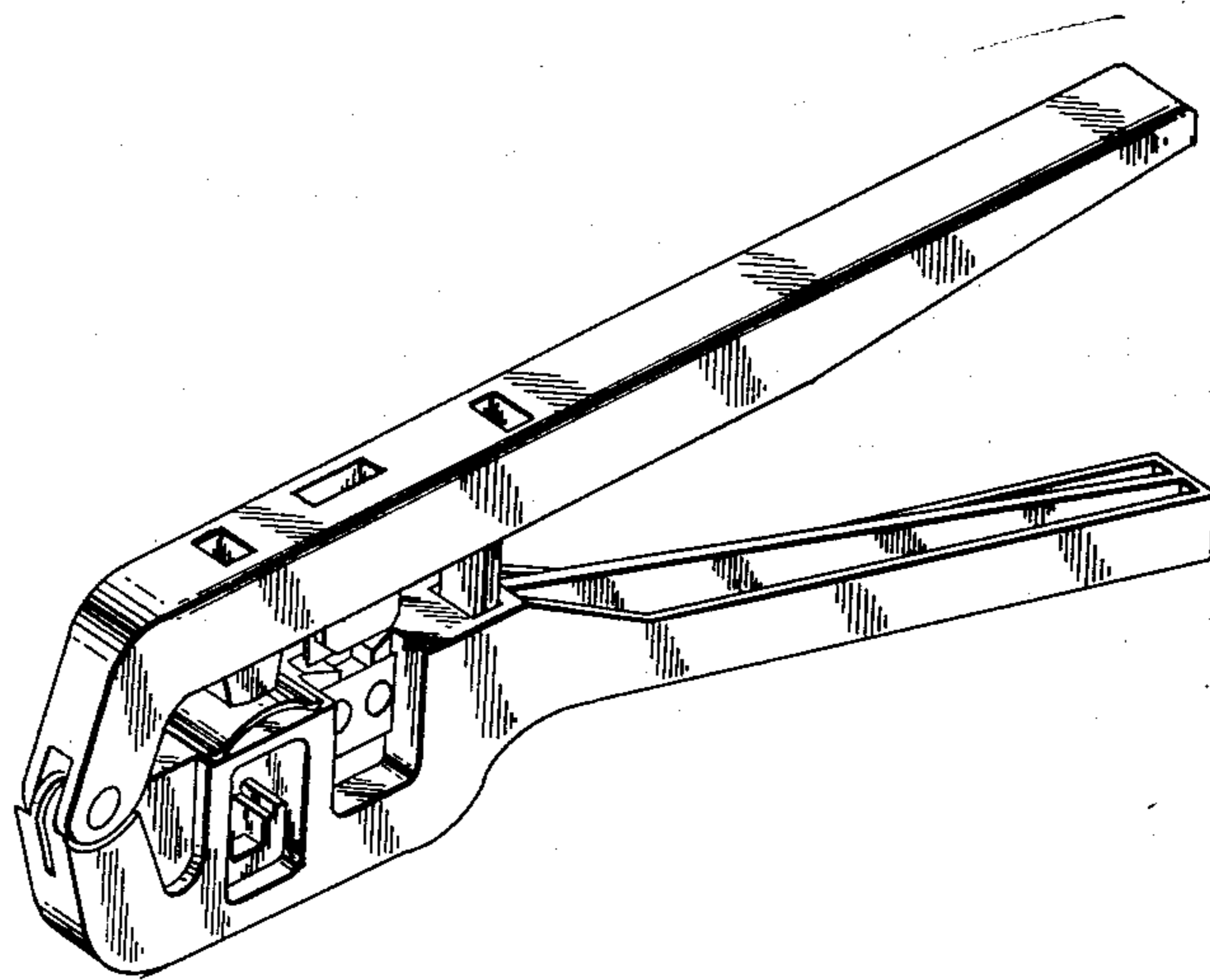
Primary Examiner—Susan J. Lucas
Assistant Examiner—Clare E. Heflin
Attorney, Agent, or Firm—Kinney & Lange

[57] CLAIM

The ornamental design for a communication plug installation tool, substantially as shown.

DESCRIPTION

FIG. 1 is a perspective view of a communication plug installation tool embodying my new design;
FIG. 2 is a side elevational view thereof;
FIG. 3 is a top plan view thereof;
FIG. 4 is a side elevational view thereof taken from an opposite side from FIG. 2;
FIG. 5 is a bottom plan view thereof;
FIG. 6 is a first end view thereof; and
FIG. 7 is an end view from the opposite end from FIG. 6.



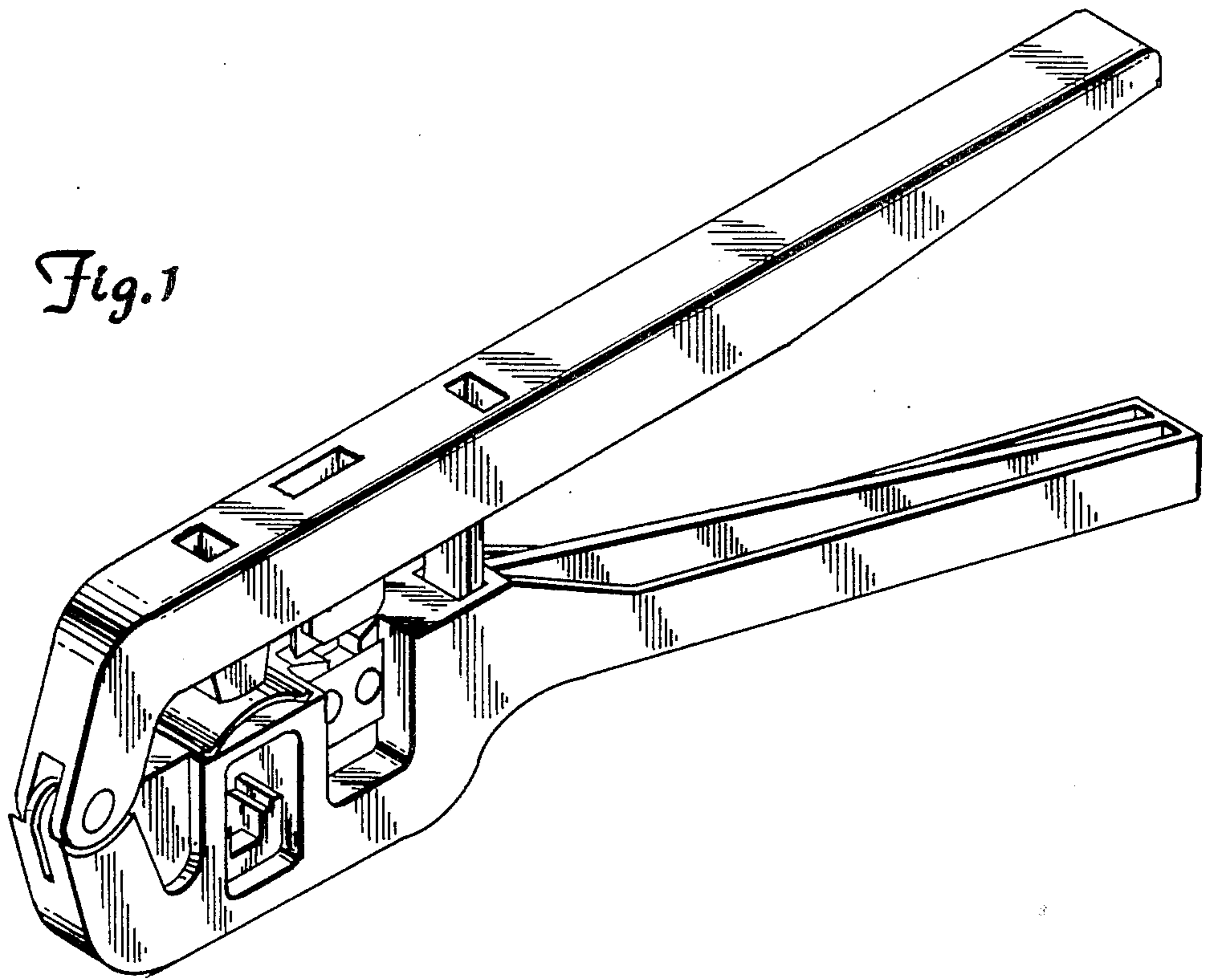


Fig. 2

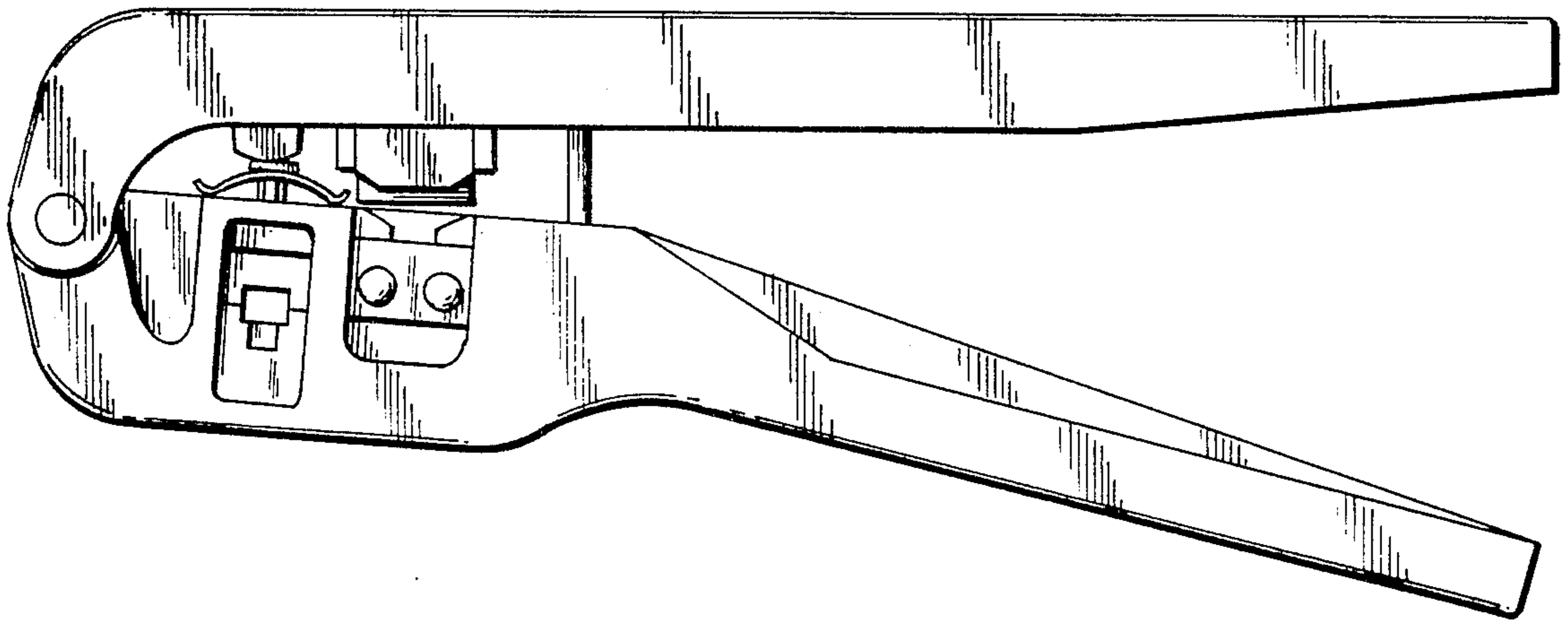


Fig. 3



Fig. 4

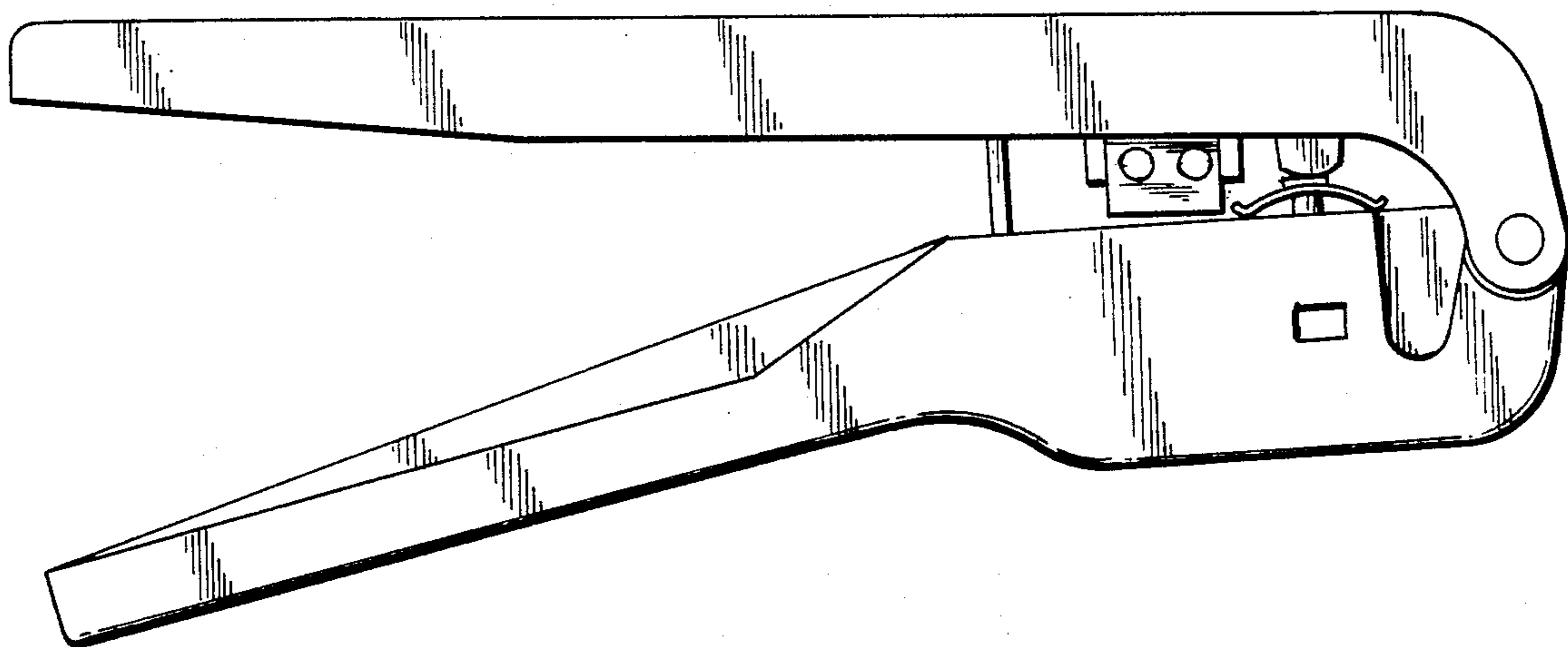


Fig. 5

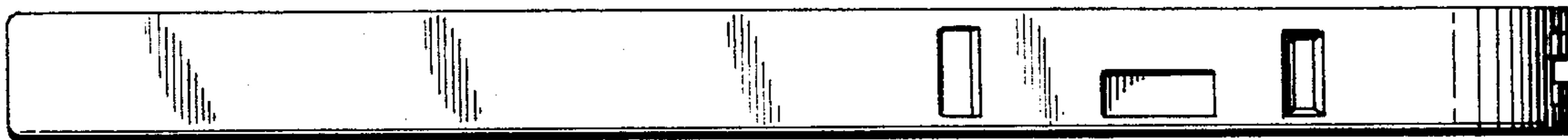


Fig. 6



Fig. 7

