

[54] HOSIERY PACKAGE DISPLAY RACK

[75] Inventors: James L. Thorneburg, P.O. Box 5440, Statesville, N.C. 28677; Ian Plawker, Englewood Cliffs, N.J.

[73] Assignee: James L. Thorneburg, Statesville, N.C.

[**] Term: 14 Years

[21] Appl. No.: 549,085

[22] Filed: Nov. 7, 1983

[52] U.S. Cl. D6/517; D6/553

[58] Field of Search D6/512, 513, 514, 515, D6/517, 396, 449, 466, 470, 477, 478, 479, 509, 510, 511, 408, 467, 475-476; 108/59, 60, 91, 92, 152; 211/87, 88, 90, 134, 135, 188, 153, 49.1, 59.2, 59.3, 59.4, 59.1

[56] References Cited

U.S. PATENT DOCUMENTS

D. 201,332	6/1965	Caldwell	D6/479
D. 243,907	4/1877	Ferriter et al.	D6/478
D. 267,692	1/1983	Kates	D6/479
3,174,627	3/1965	Garschak	211/90
4,007,841	2/1977	Seipel	211/59.1

Primary Examiner—B. J. Bullock
Assistant Examiner—Suzanne N. Gitlin
Attorney, Agent, or Firm—Bell, Seltzer, Park & Gibson

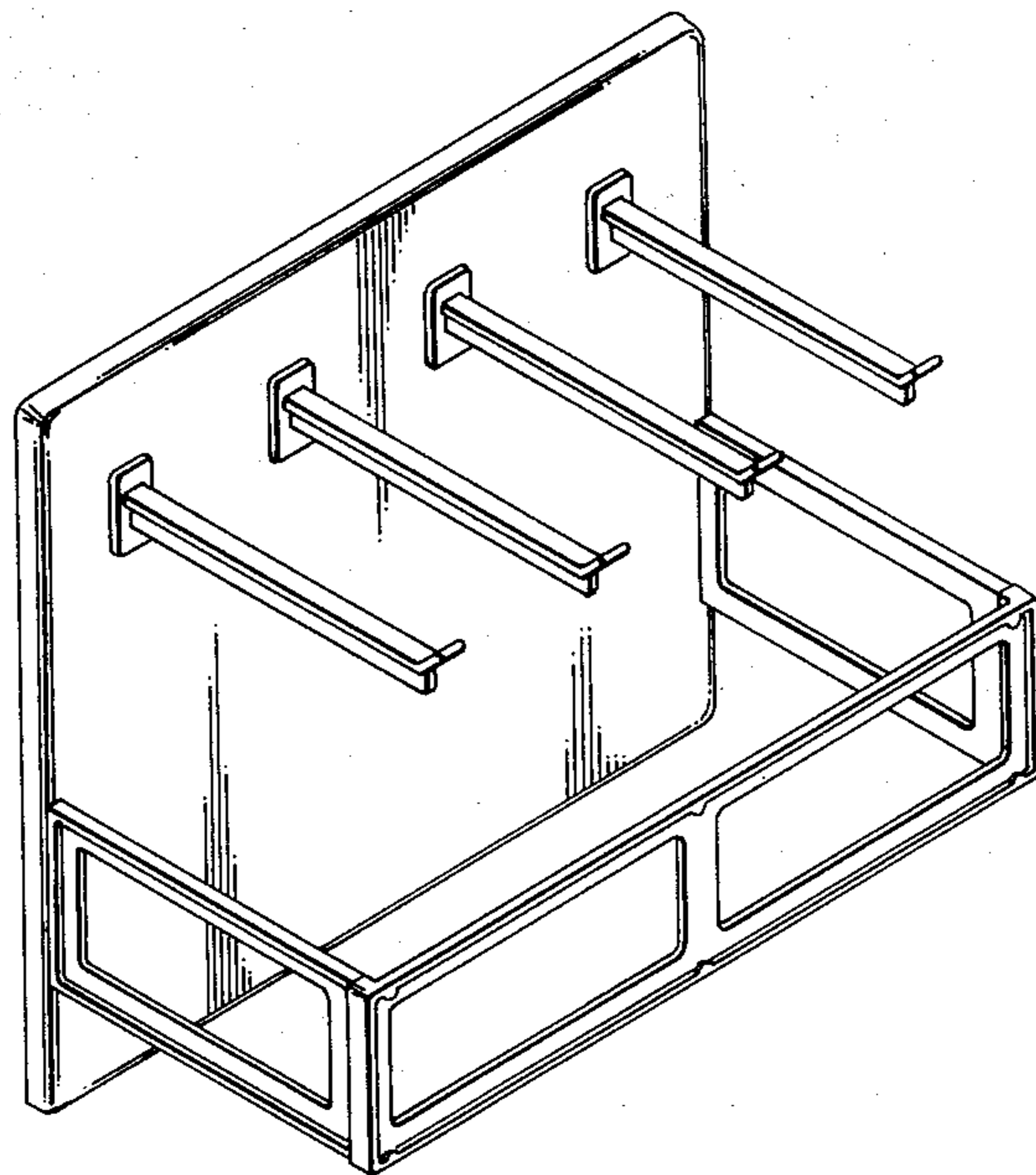
[57] CLAIM

The ornamental design for a hosiery package display rack, as shown and described.

DESCRIPTION

FIG. 1 is a front isometric view of a hosiery package display rack showing our new design; FIG. 2 is a front elevational view of FIG. 1; and FIG. 3 is a side elevational view of the right-hand end of FIG. 1.

The rear of the hosiery package display rack is substantially plain and unornamented.



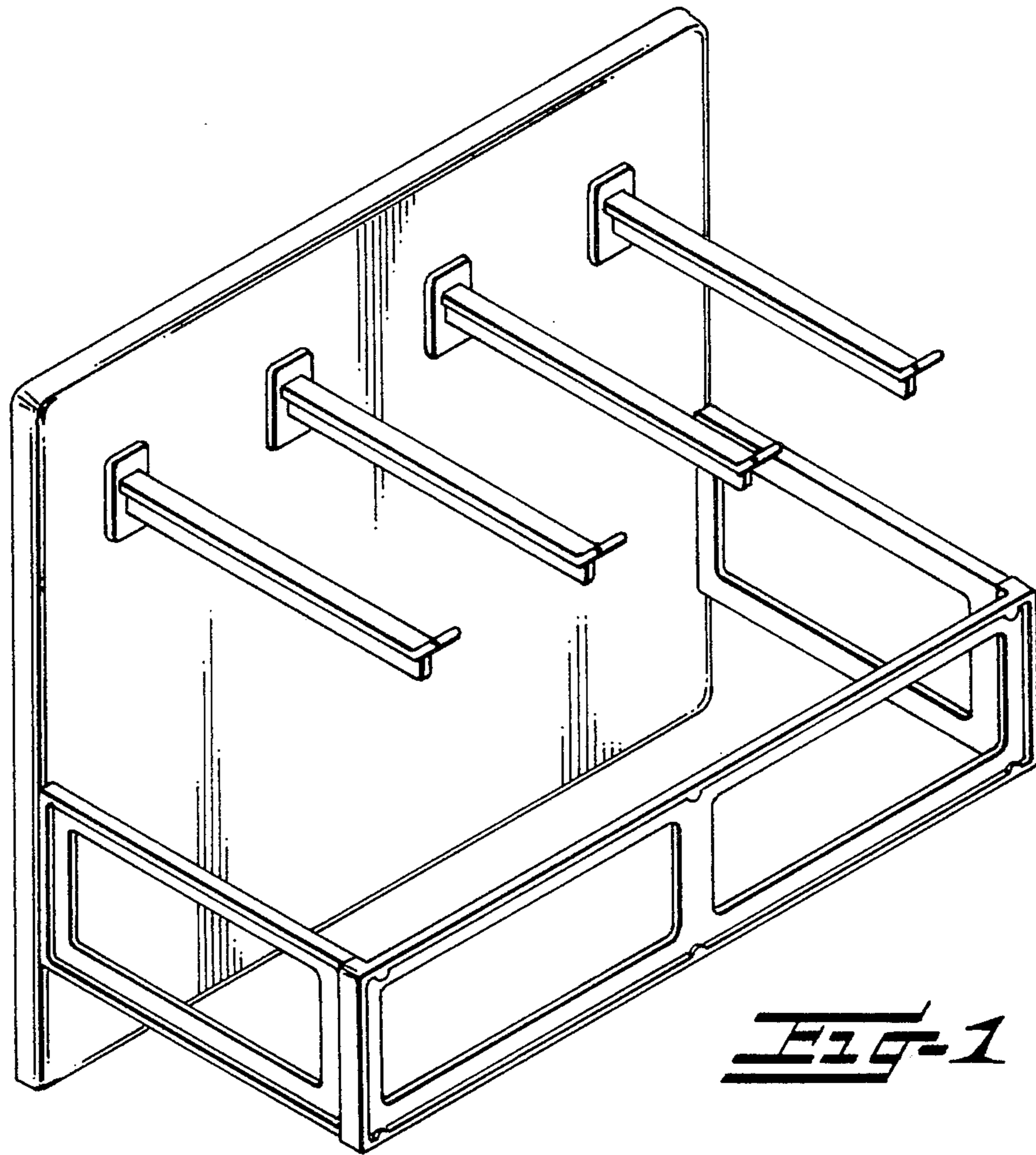


FIG-1

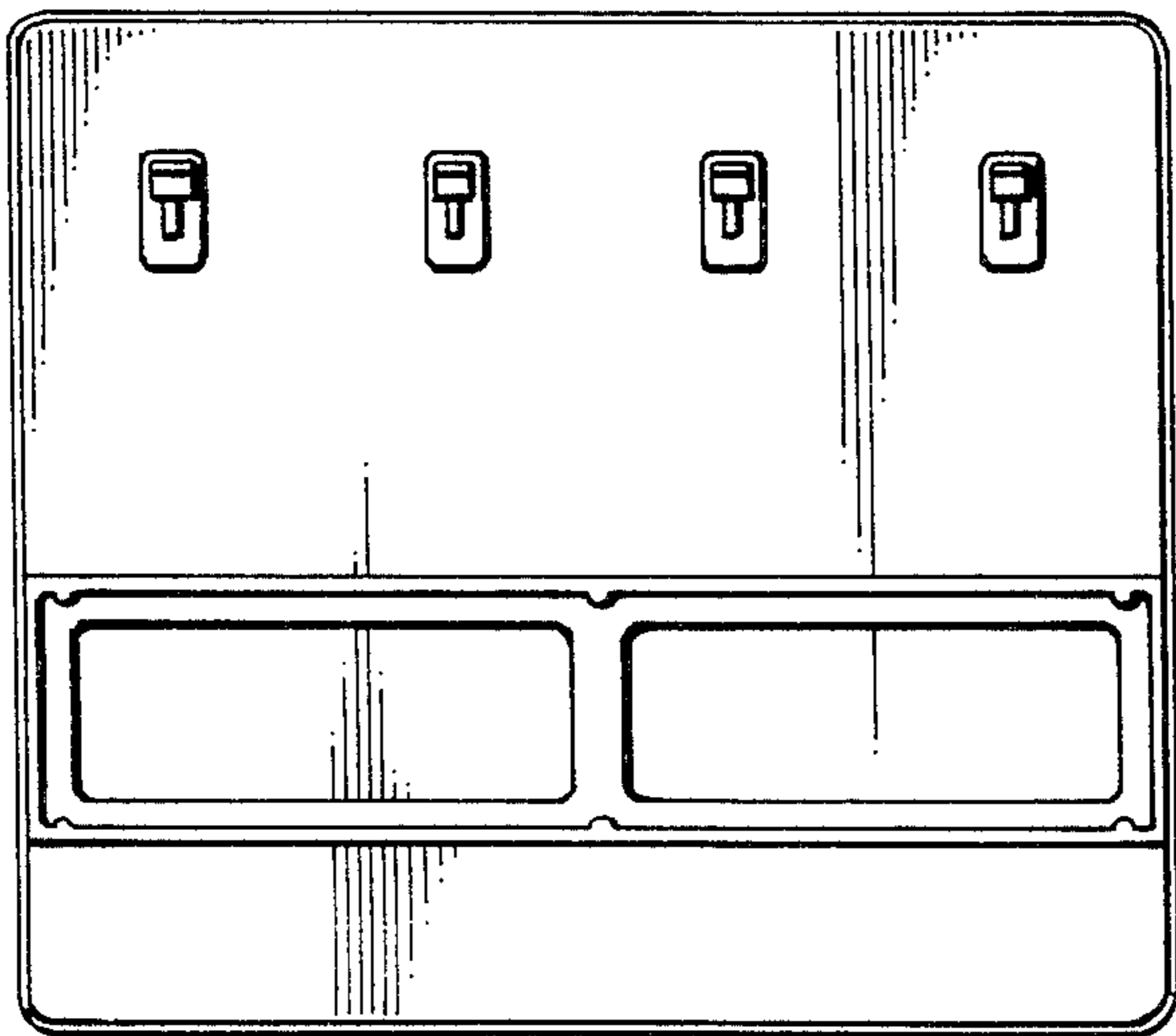


FIG-2

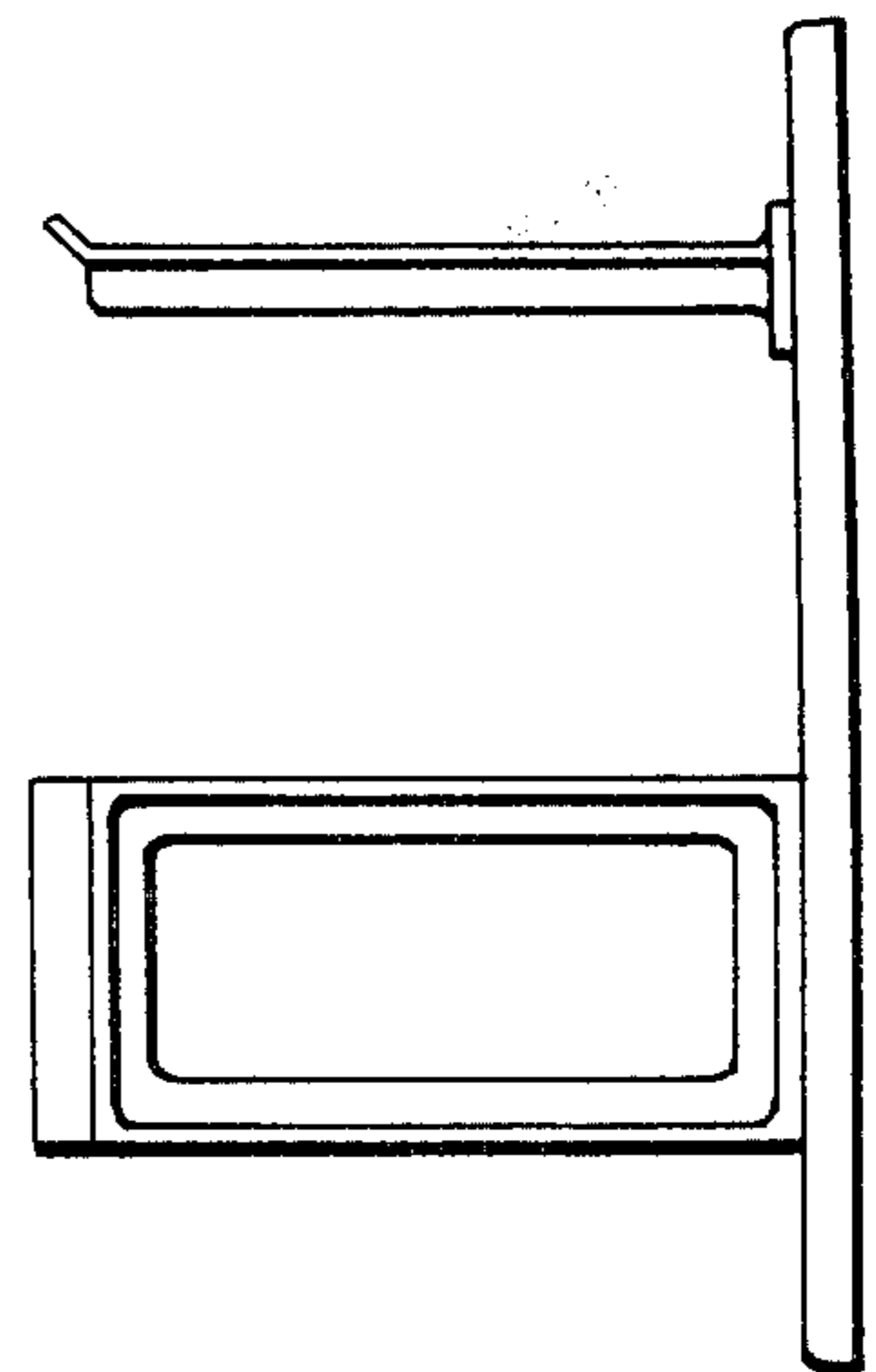


FIG-3