

[54] CHAIR

[75] Inventor: Rainer Bohl, Schondorf, Fed. Rep. of Germany

[73] Assignee: Roeder GmbH Sitzmoebelwerke, Fed. Rep. of Germany

[**] Term: 14 Years

[21] Appl. No.: 475,496

[22] Filed: Mar. 15, 1983

[52] U.S. Cl. D6/366

[58] Field of Search D6/334, 364, 365, 366, D6/367, 370

[56] References Cited

U.S. PATENT DOCUMENTS

D. 228,536	10/1973	Sottsass, Jr.	D6/366
D. 240,679	7/1976	Bernard	D6/366
D. 254,278	2/1980	Wilson	D6/366
D. 272,204	1/1984	De Boer	D6/366

D. 272,781	2/1984	Ochsner	D6/373
D. 273,639	5/1984	Cafiero	D6/366

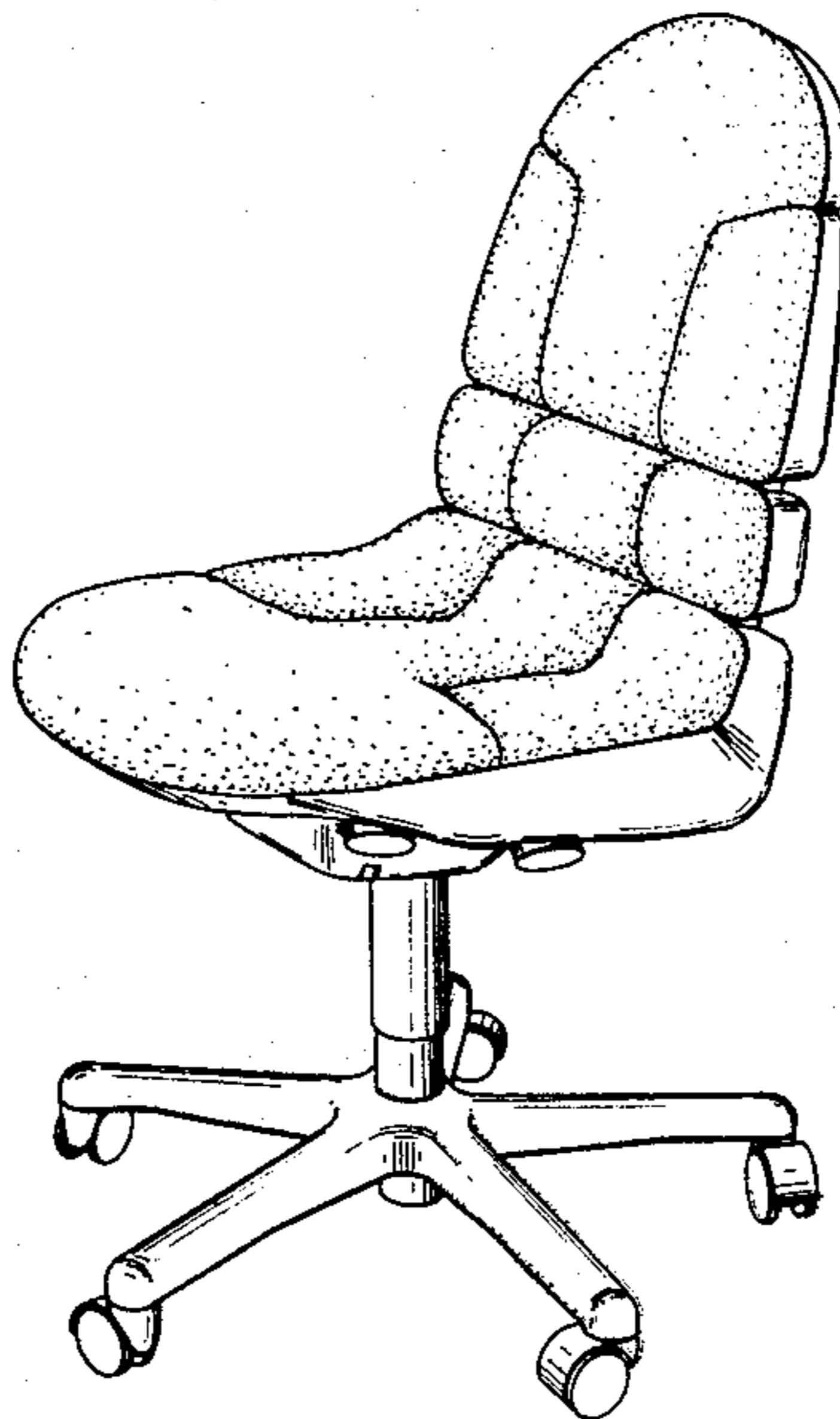
Primary Examiner—Bruce W. Dunkins
Attorney, Agent, or Firm—Roylance, Abrams, Berdo & Goodman

[57] CLAIM

The ornamental design for a chair, as shown and described.

DESCRIPTION

FIG. 1 is a right side perspective view of a chair showing my design;
FIG. 2 is a left side elevational view of the chair shown in FIG. 1, the right side elevational view being a mirror image thereof;
FIG. 3 is a top plan view of the chair shown in FIG. 1;
FIG. 4 is a front elevational view of the chair shown in FIG. 1; and
FIG. 5 is a rear elevational view of the chair shown in FIG. 1.



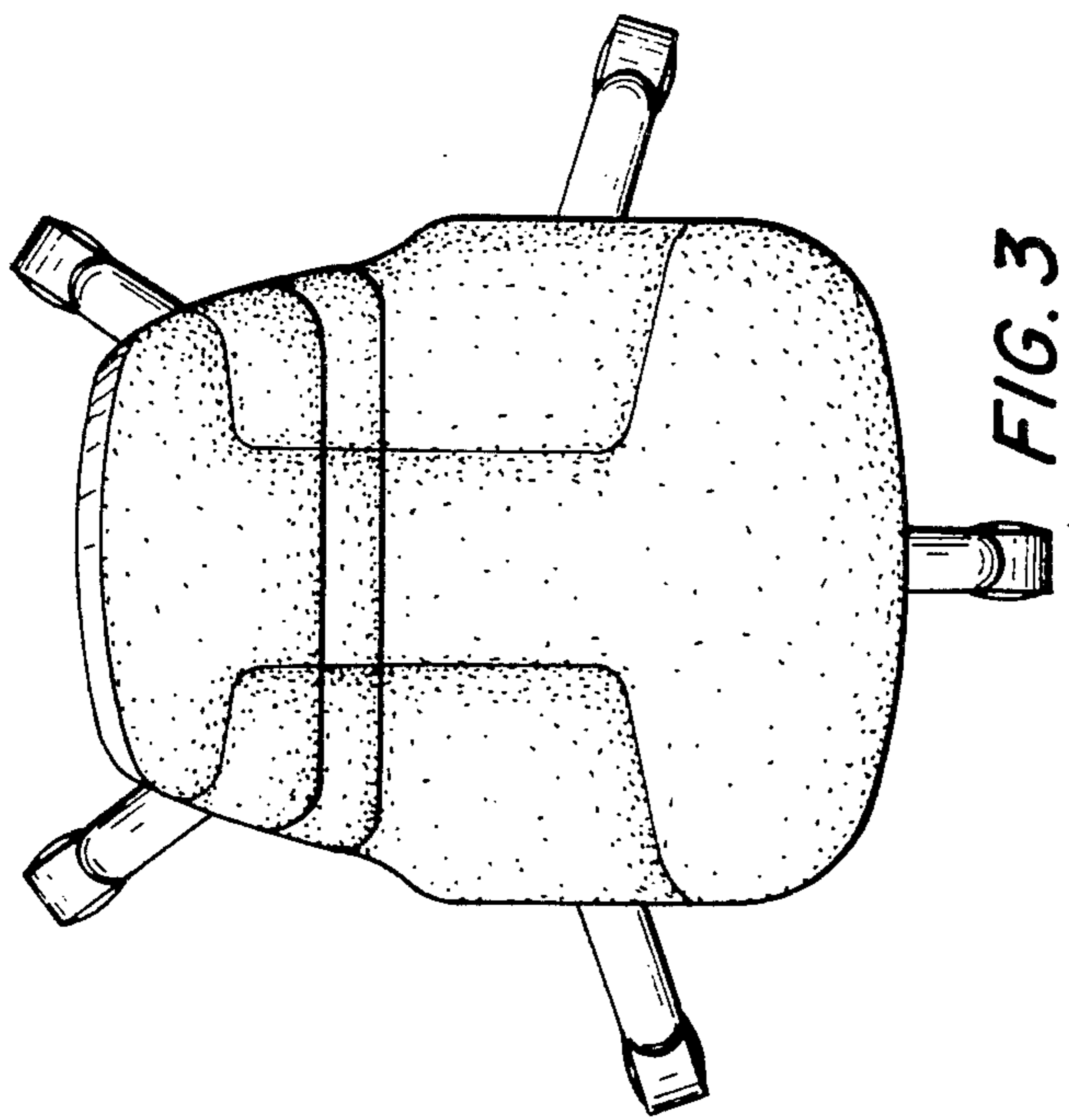


FIG. 3

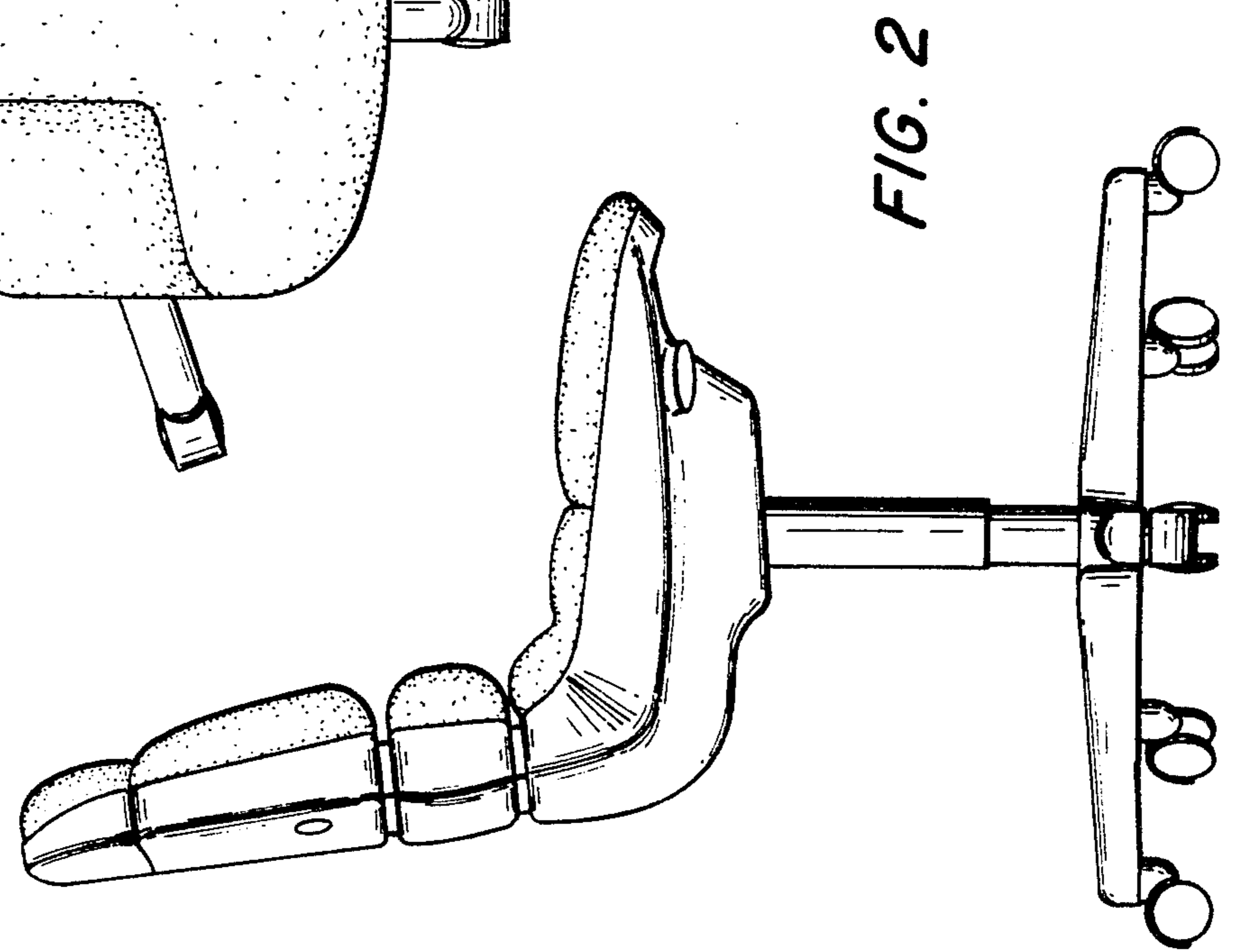


FIG. 2

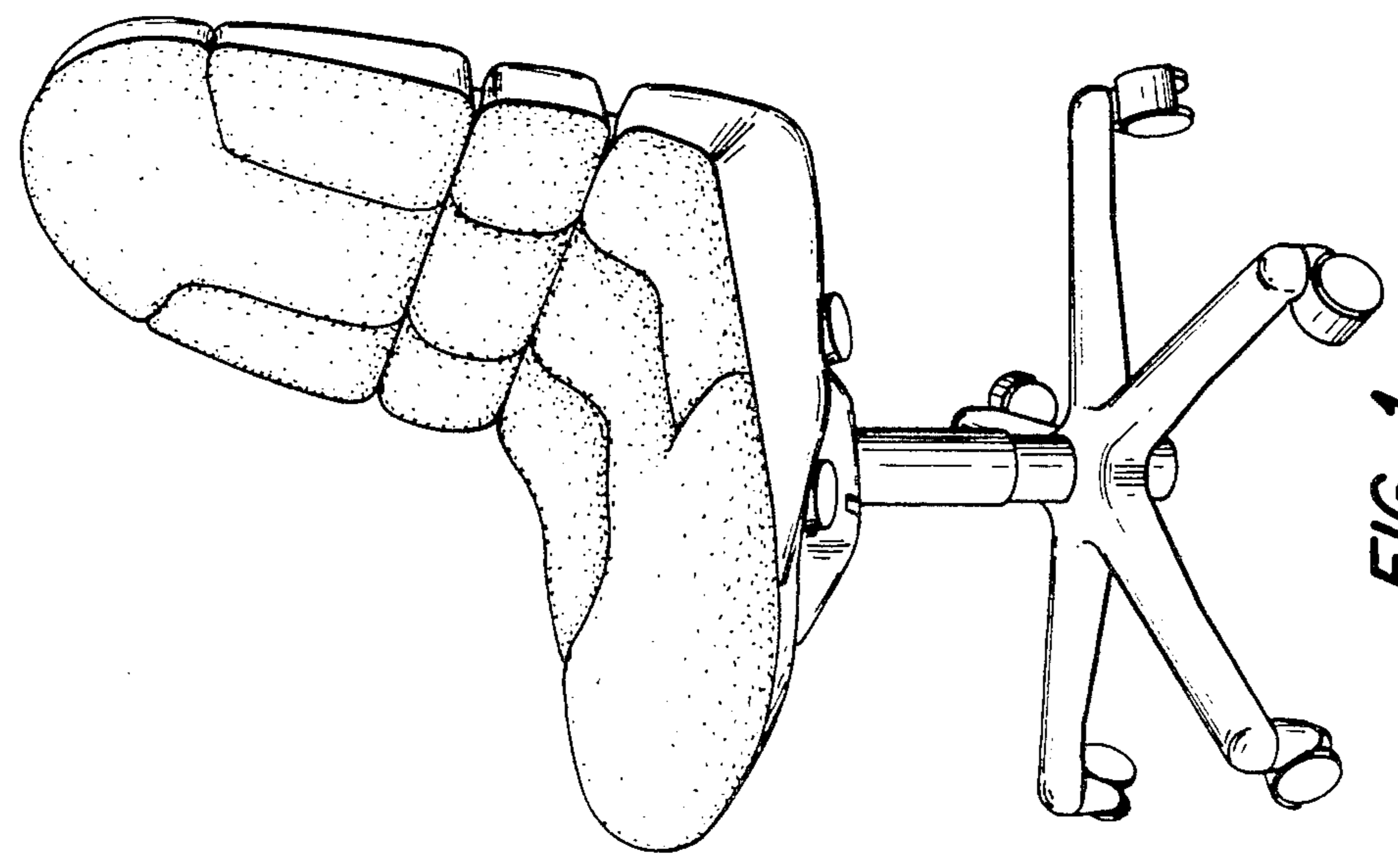


FIG. 1

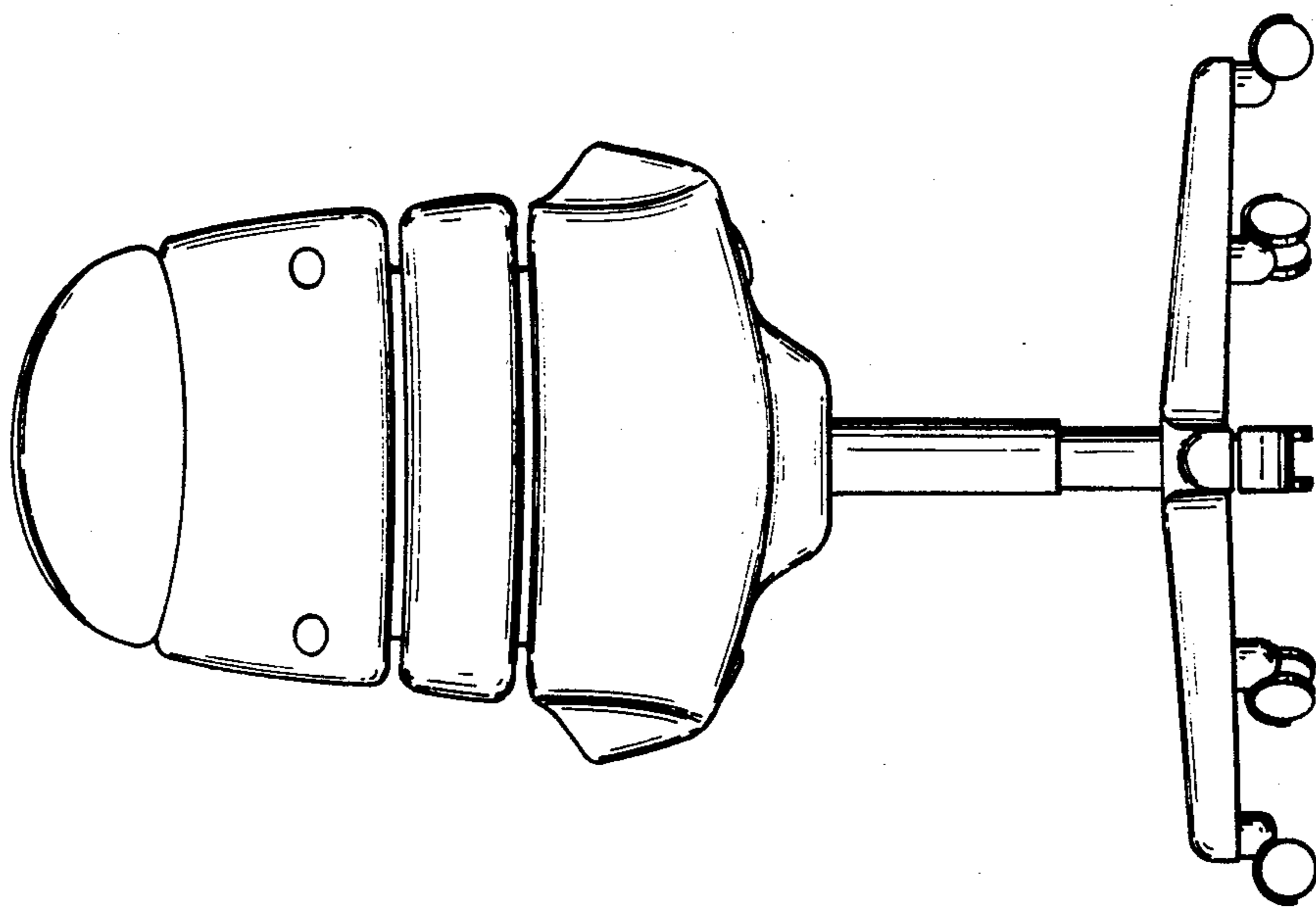


FIG. 5

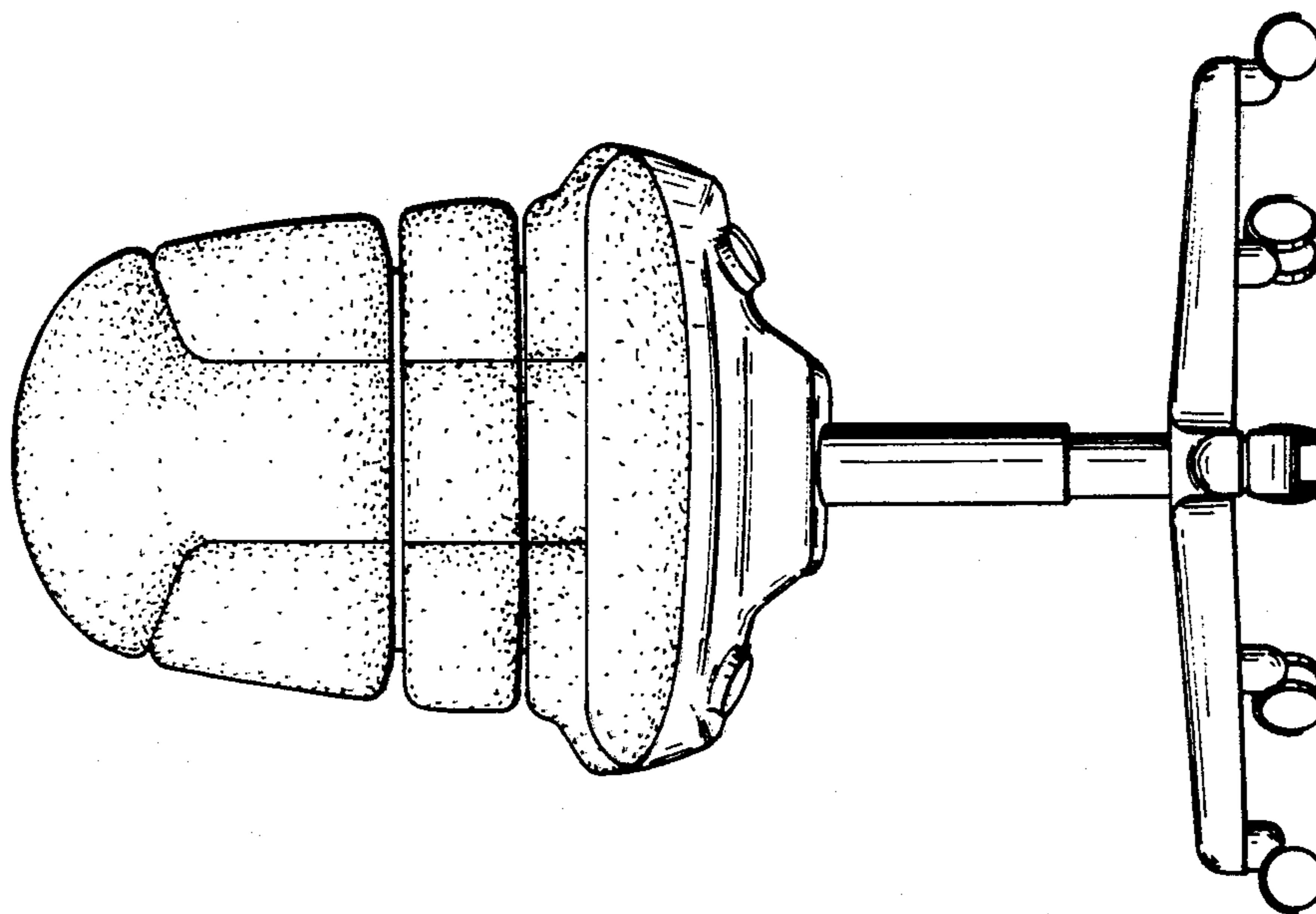


FIG. 4