

[54] CASSETTE CONTAINER

[56] References Cited

[76] Inventors: Peter V. Bodourian, 2537 Paladin St., Anaheim, Calif. 92806; Joseph M. Grispino, 3069 Loren La., Costa Mesa, Calif. 92626

U.S. PATENT DOCUMENTS

D. 217,157 4/1970 Trombly ..... D3/35  
D. 236,238 9/1975 Anders ..... D3/35

Primary Examiner—George P. Word  
Attorney, Agent, or Firm—G. Donald Weber, Jr.

[\*\*] Term: 14 Years

[57] CLAIM

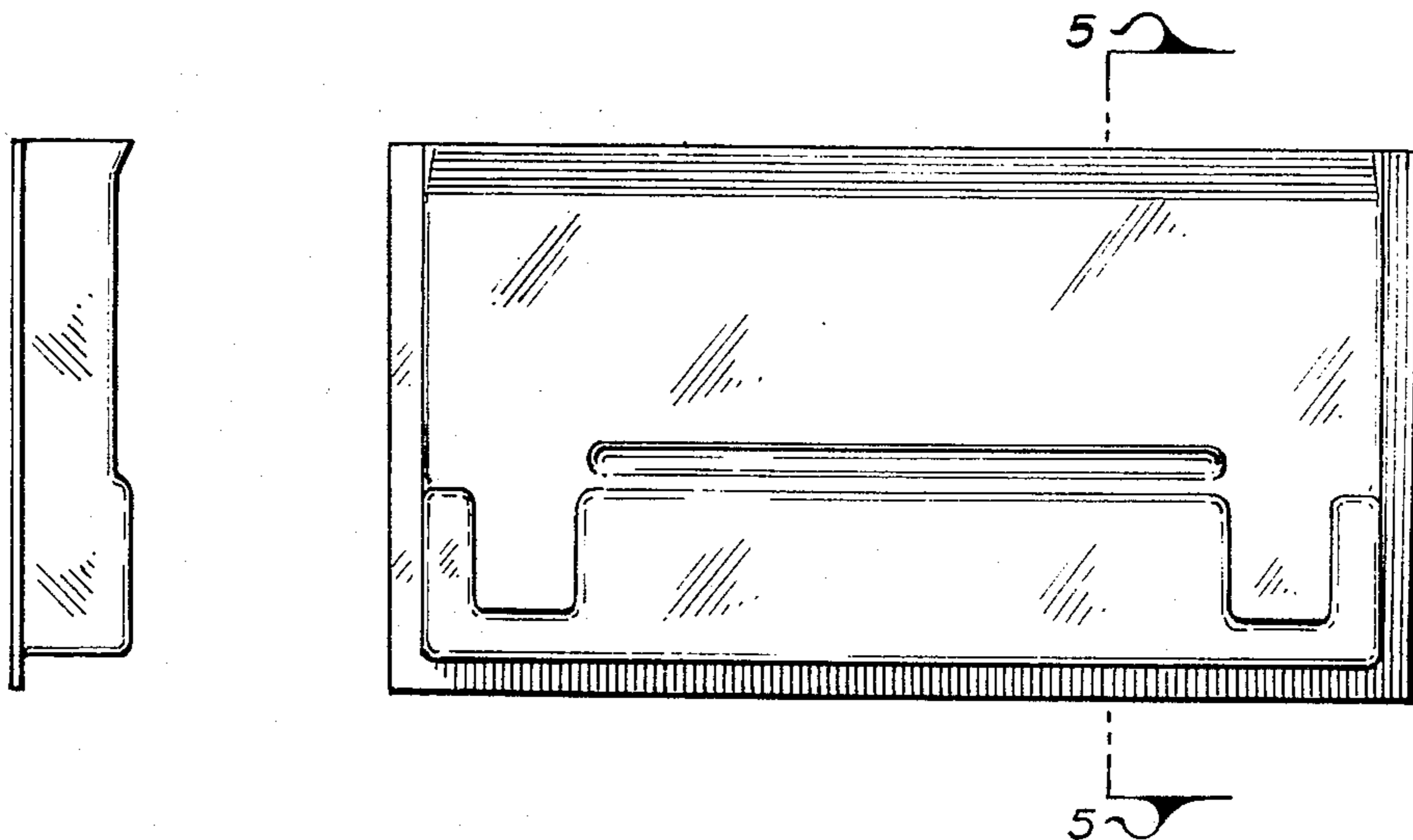
The ornamental design for a cassette container, as shown and described.

[21] Appl. No.: 398,307

DESCRIPTION

[22] Filed: Jul. 14, 1982  
[52] U.S. Cl. .... D3/35  
[58] Field of Search ..... D3/30.1, 33, 35, 40, D3/62, 52, 58, 79; 206/387; 150/28 R

FIG. 1 is a front elevational view of a cassette container showing our new design;  
FIG. 2 is a top plan view thereof;  
FIG. 3 is a bottom plan view thereof;  
FIG. 4 is a left side elevational view, the opposite side being a mirror image thereof; and  
FIG. 5 is a cross-sectional view taken along line 5—5 of FIG. 1.



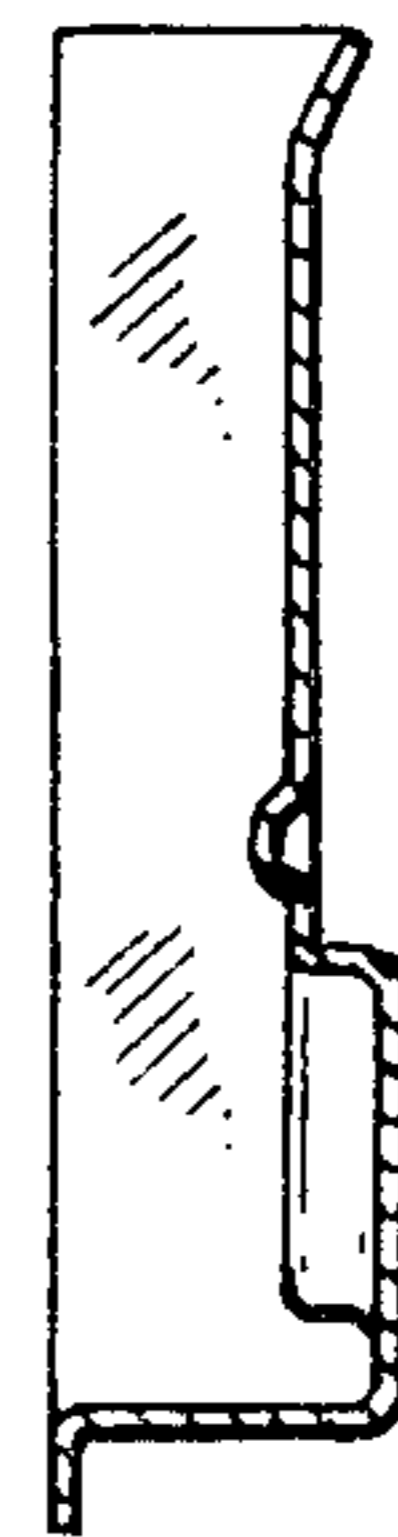


FIG. 5

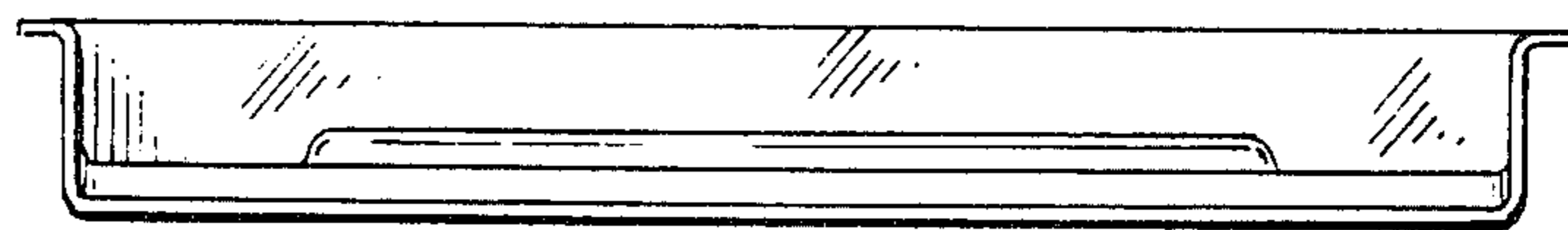


FIG. 2

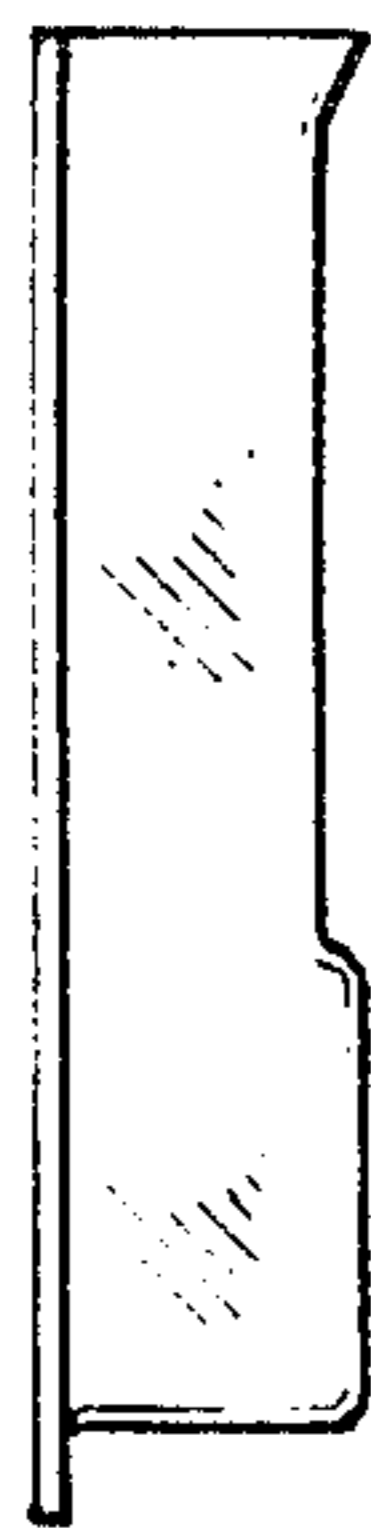


FIG. 4

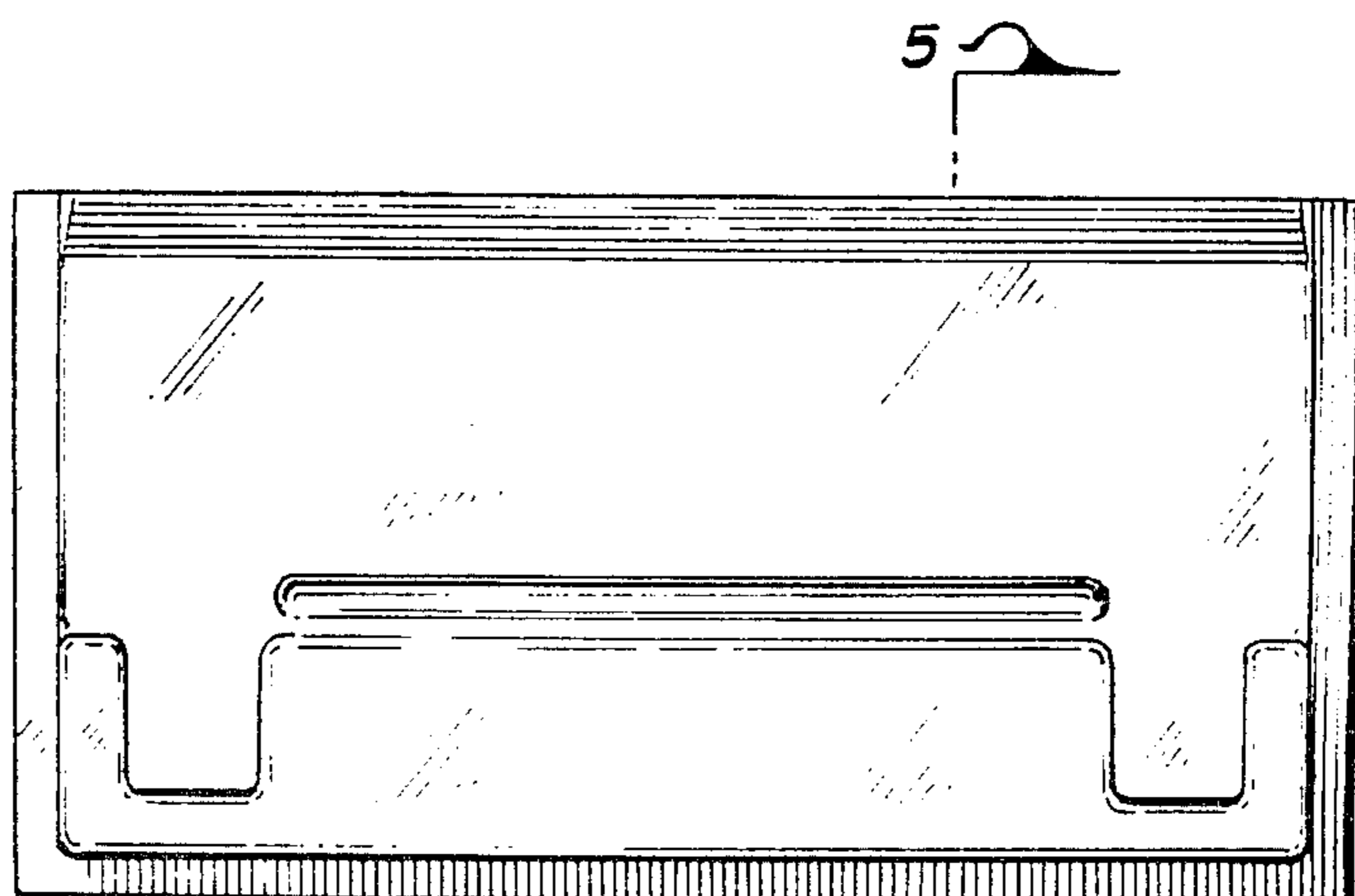


FIG. 1



FIG. 3