

[54] TAPE RECORDER CASE

4,479,596 10/1984 Swanson 224/240

[75] Inventor: Kazuaki Takata, Hachioji, Japan

OTHER PUBLICATIONS

[73] Assignee: Olympus Optical Co., Ltd., Tokyo, Japan

Crutchfield W/S Cat. ©1982, p. 70, Item top right.
Radio Shack Cat. 1982, p. 33, Item right center.

[**] Term: 14 Years

Primary Examiner—George P. Word
Attorney, Agent, or Firm—Frishauf, Holtz, Goodman & Woodward

[21] Appl. No.: 470,470

[22] Filed: Feb. 28, 1983

[57] CLAIM

[30] Foreign Application Priority Data

The ornamental design for a tape recorder case, substantially as shown.

Oct. 6, 1982 [JP] Japan 57-45296

[52] U.S. Cl. D2/400; D3/30.1

DESCRIPTION

[58] Field of Search D3/30.1, 33, 35, 52, D3/79; 150/52 J, 52 R; D14/1, 5, 6, 70; D2/400; 224/253, 240, 242, 191, 908, 909

FIG. 1 is a front, top and left side perspective view of a tape recorder case showing my new design; FIG. 2 is a front elevational view thereof; FIG. 3 is a top plan view thereof; FIG. 4 is a right side elevational view thereof; FIG. 5 is a left side elevational view thereof; FIG. 6 is a rear elevational view thereof; and FIG. 7 is a bottom plan view thereof.

[56] References Cited

U.S. PATENT DOCUMENTS

4,119,249 10/1978 Hanson 224/253
4,420,078 12/1983 Belt et al. 150/52 R

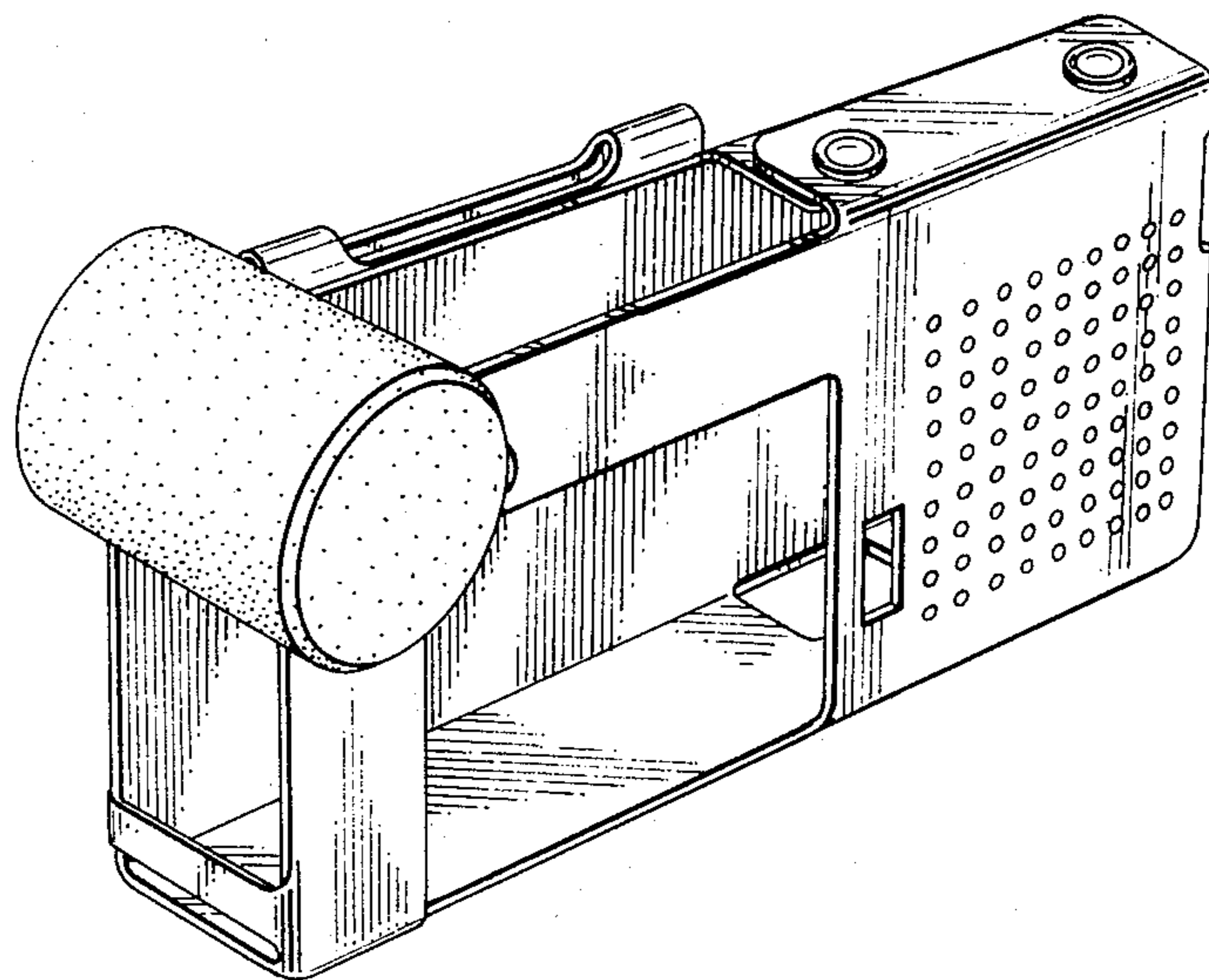


FIG. 1

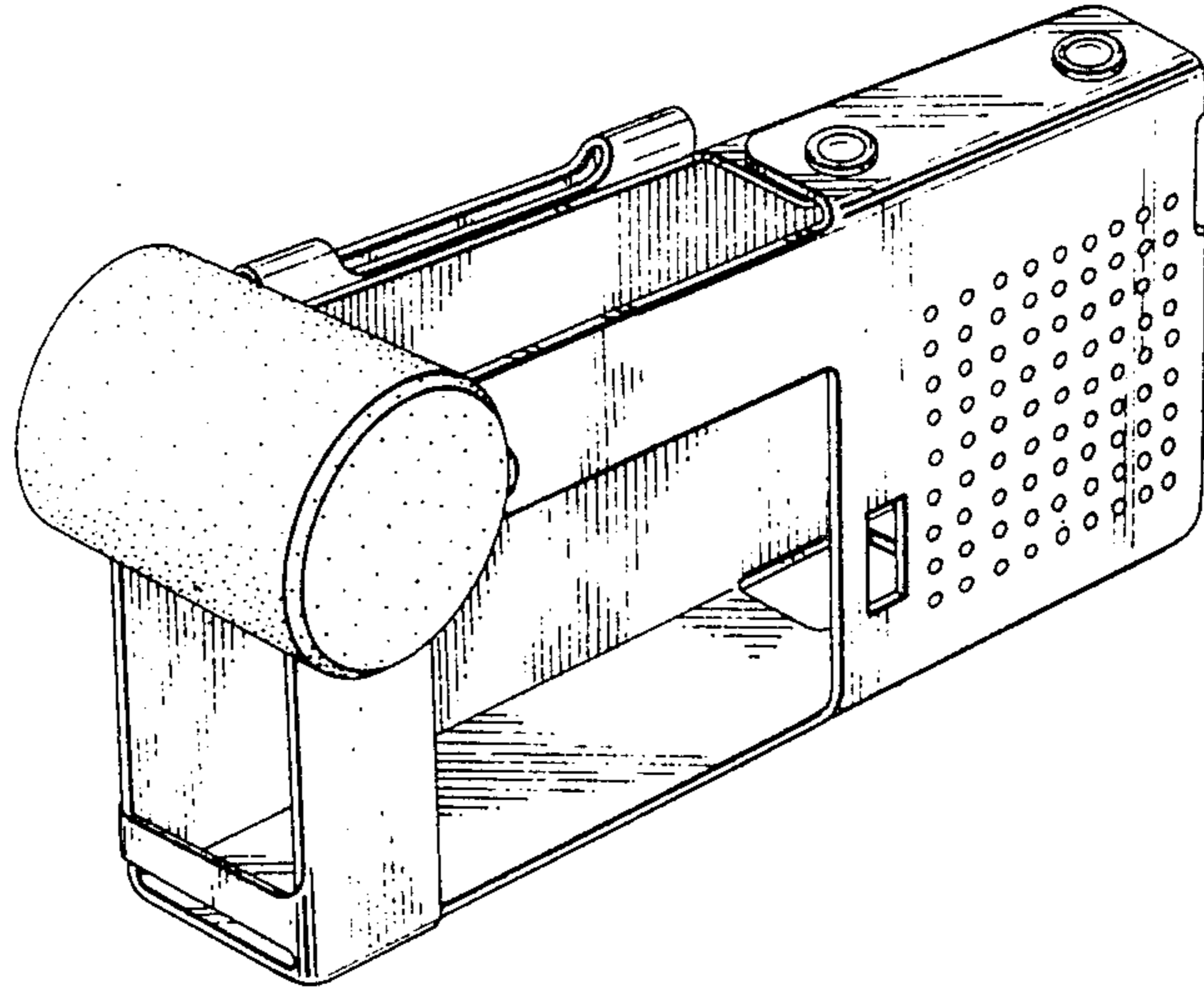


FIG. 2

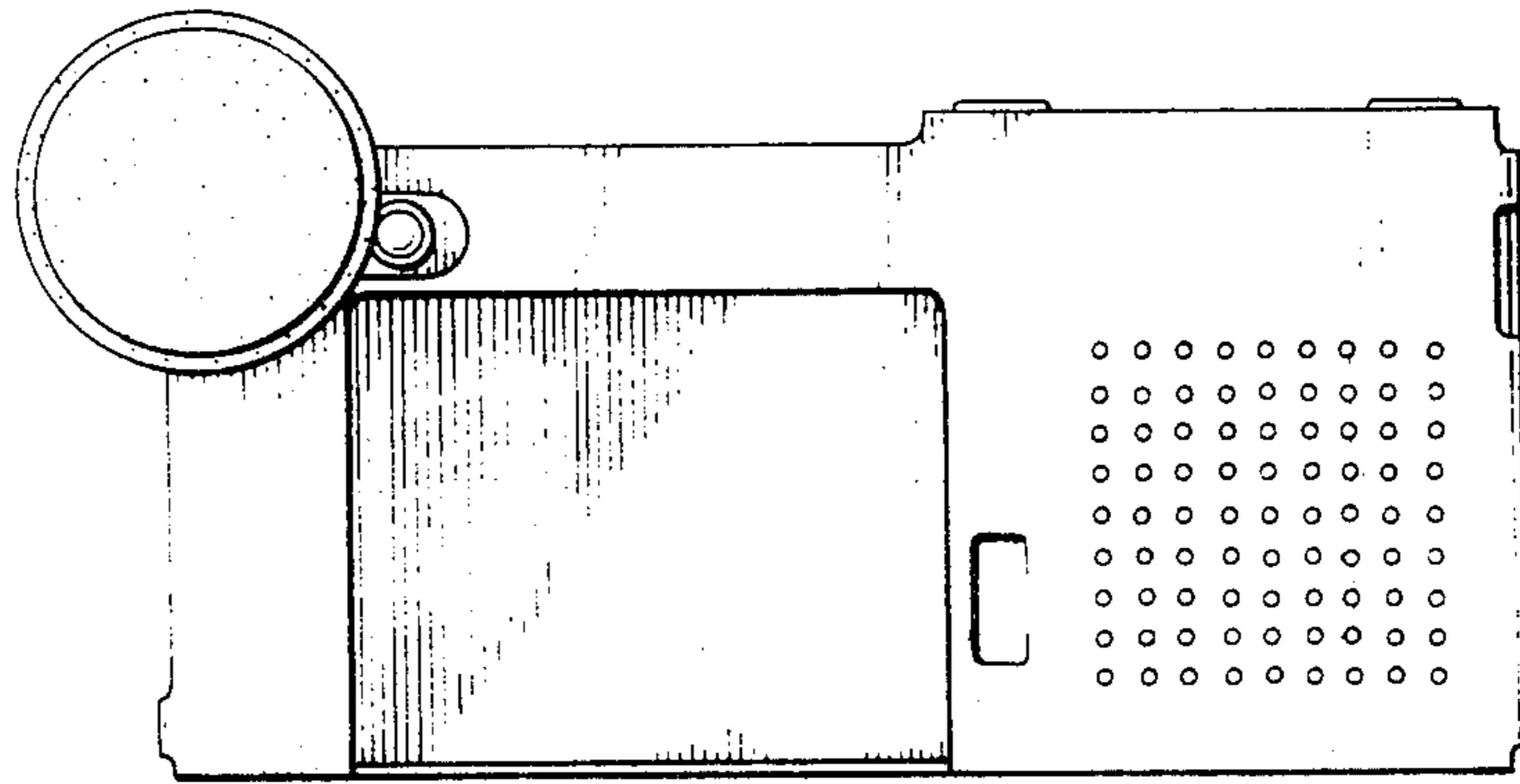


FIG. 3

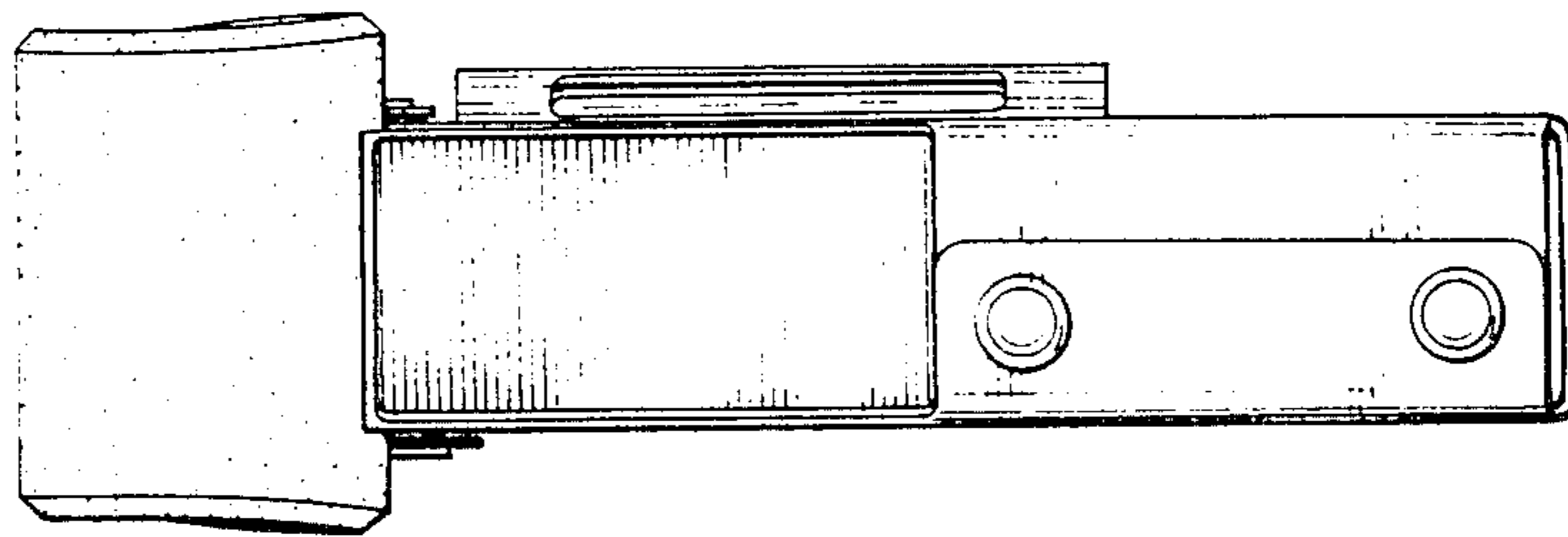


FIG. 4

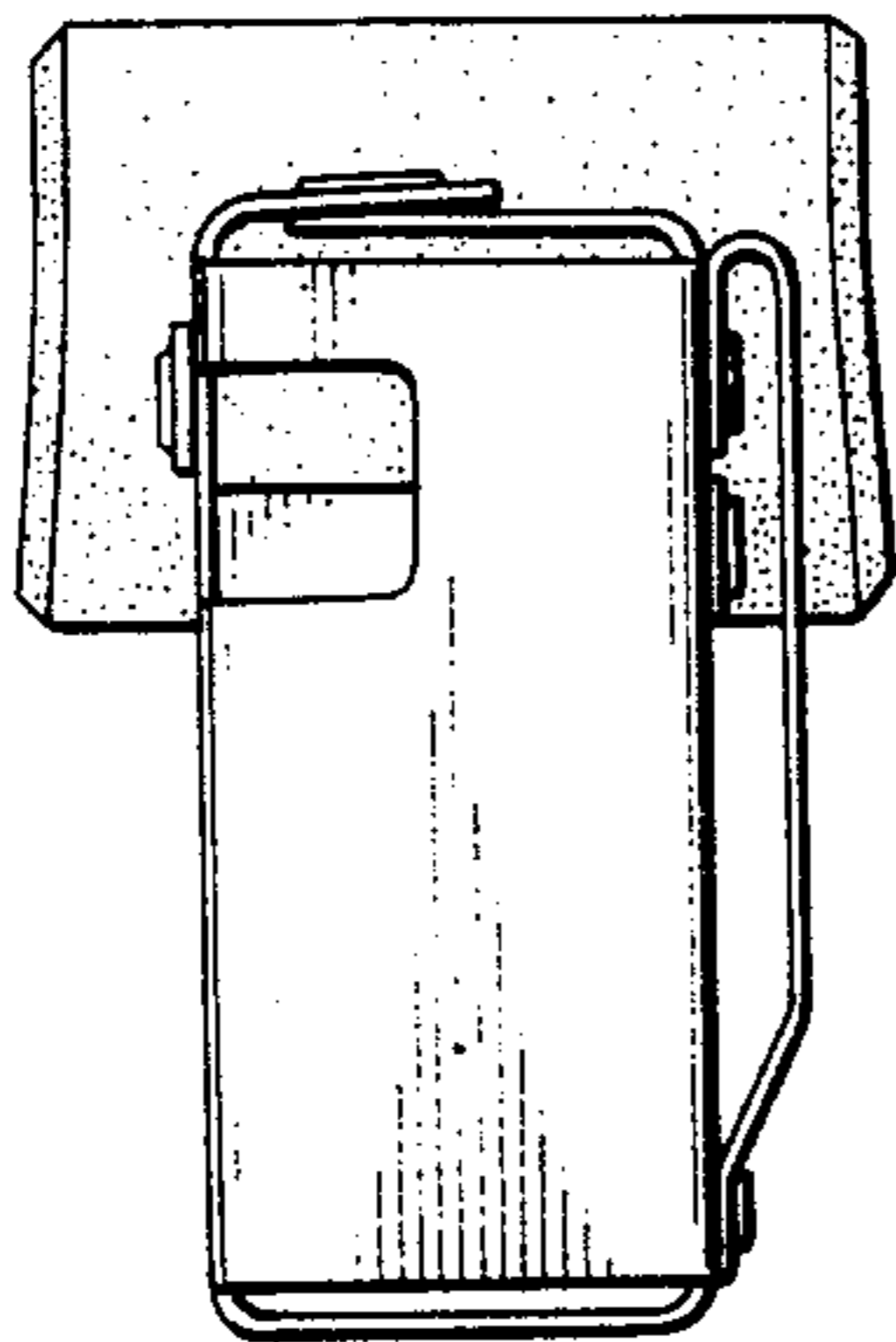


FIG. 5

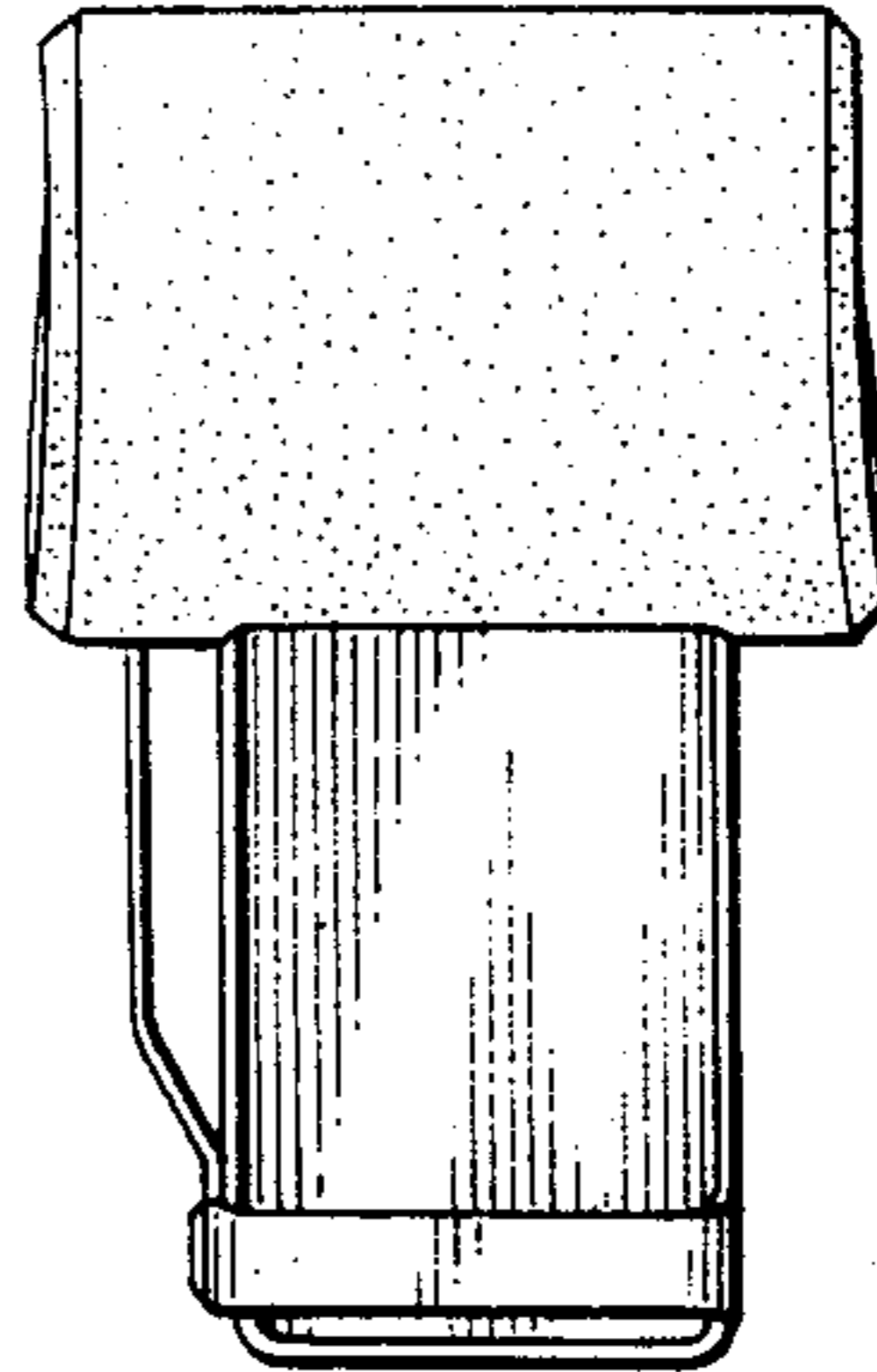


FIG. 6

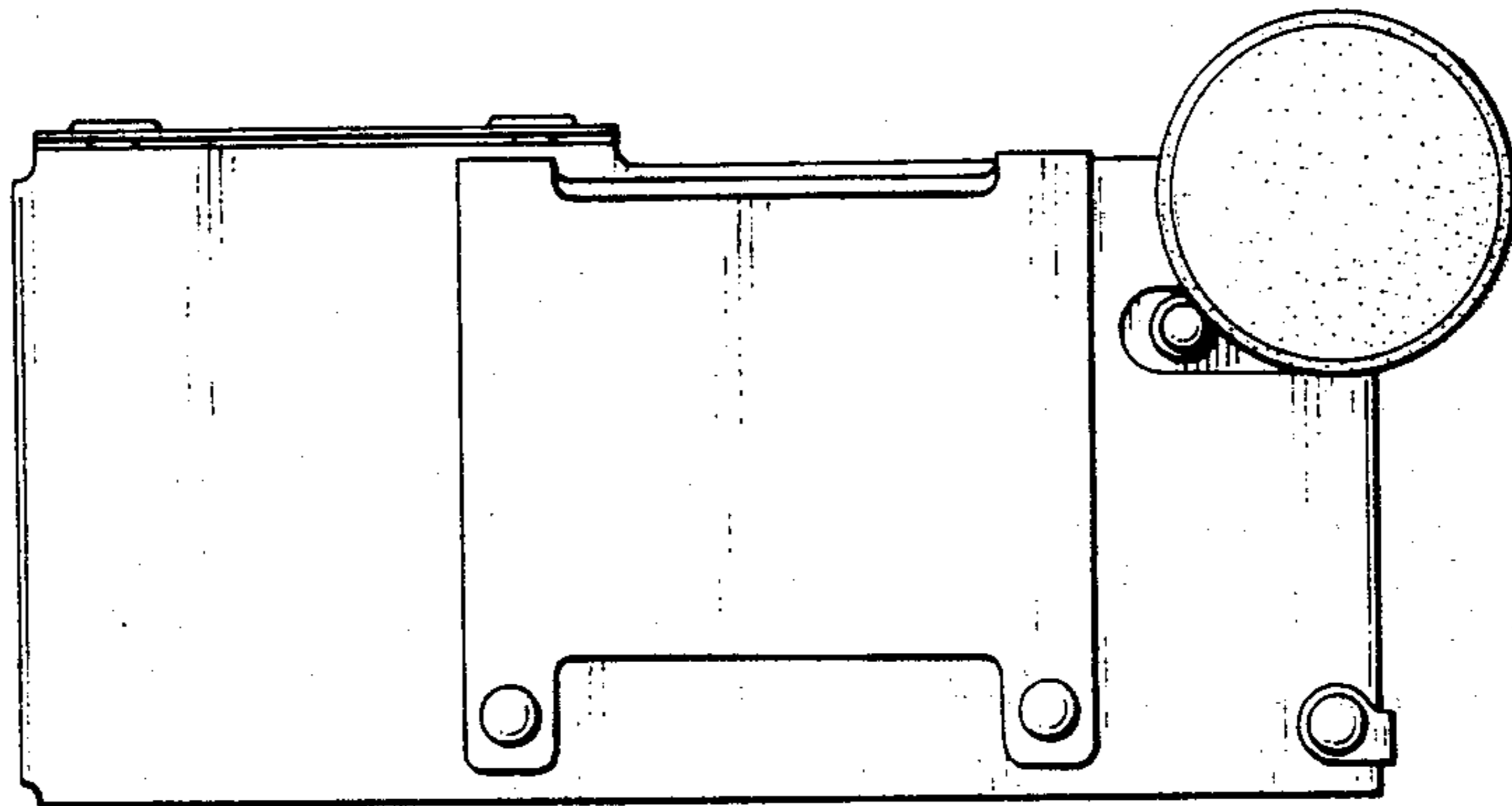


FIG. 7

