

[54] FAUCET HANDLE

[75] Inventor: James E. Niemann, Louisville, Ky.

[73] Assignee: American Standard Inc., New York, N.Y.

[\*] Notice: The portion of the term of this patent subsequent to Jul. 12, 1997 has been disclaimed.

[\*\*] Term: 14 Years

[21] Appl. No.: 357,018

[22] Filed: Mar. 11, 1982

Related U.S. Application Data

[63] Continuation-in-part of Ser. No. 169,538, Jul. 17, 1980.

[52] U.S. Cl. .... D23/28

[58] Field of Search ..... D23/23-32; 137/606, 801; 4/191, 192

[56] References Cited

U.S. PATENT DOCUMENTS

- D. 273,888 5/1984 Niemann ..... D23/28
- D. 274,351 6/1984 Niemann ..... D23/28

Primary Examiner—James R. Largen  
Attorney, Agent, or Firm—James J. Salerno, Jr.; Robert G. Crooks; John P. Sinnott

[57] CLAIM

The ornamental design for a handle for a faucet handle, substantially as shown and described.

DESCRIPTION

FIG. 1 is a top plan view of a faucet handle showing my new design;  
 FIG. 2 is a bottom plan view thereof;  
 FIG. 3 is a side elevational view thereof;  
 FIG. 4 is a cross sectional view taken on line 4—4 of FIG. 3;  
 FIG. 5 is a cross sectional view taken on line 5—5 of FIG. 3;  
 FIG. 6 is a top plan view of a modified form of the faucet handle shown in FIG. 1;  
 FIG. 7 is a bottom plan view of FIG. 6;  
 FIG. 8 is a side elevational view of FIG. 6;  
 FIG. 9 is a cross sectional view taken on line 9—9 of FIG. 8; and  
 FIG. 10 is a cross sectional view taken on line 10—10 of FIG. 8.

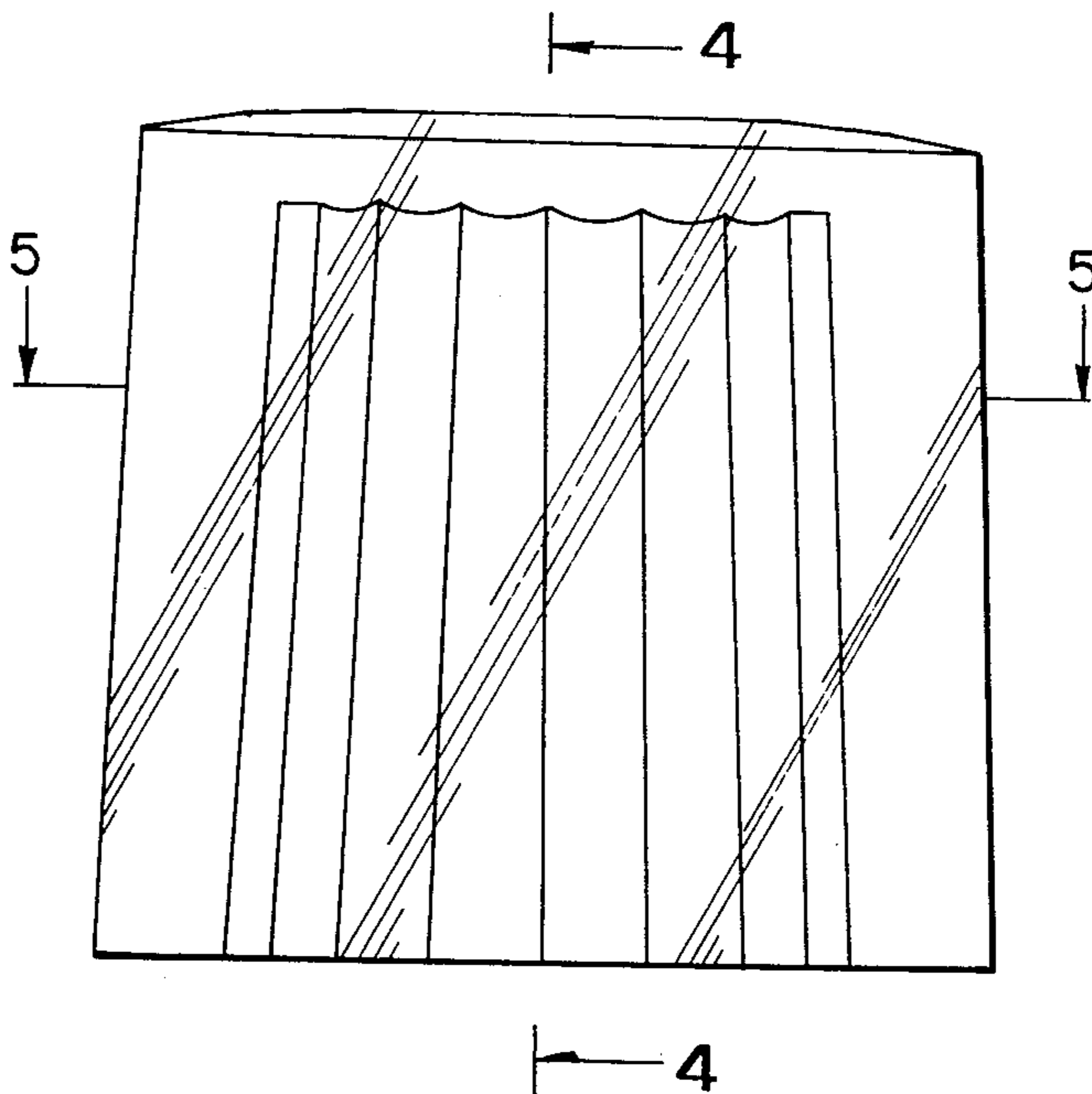
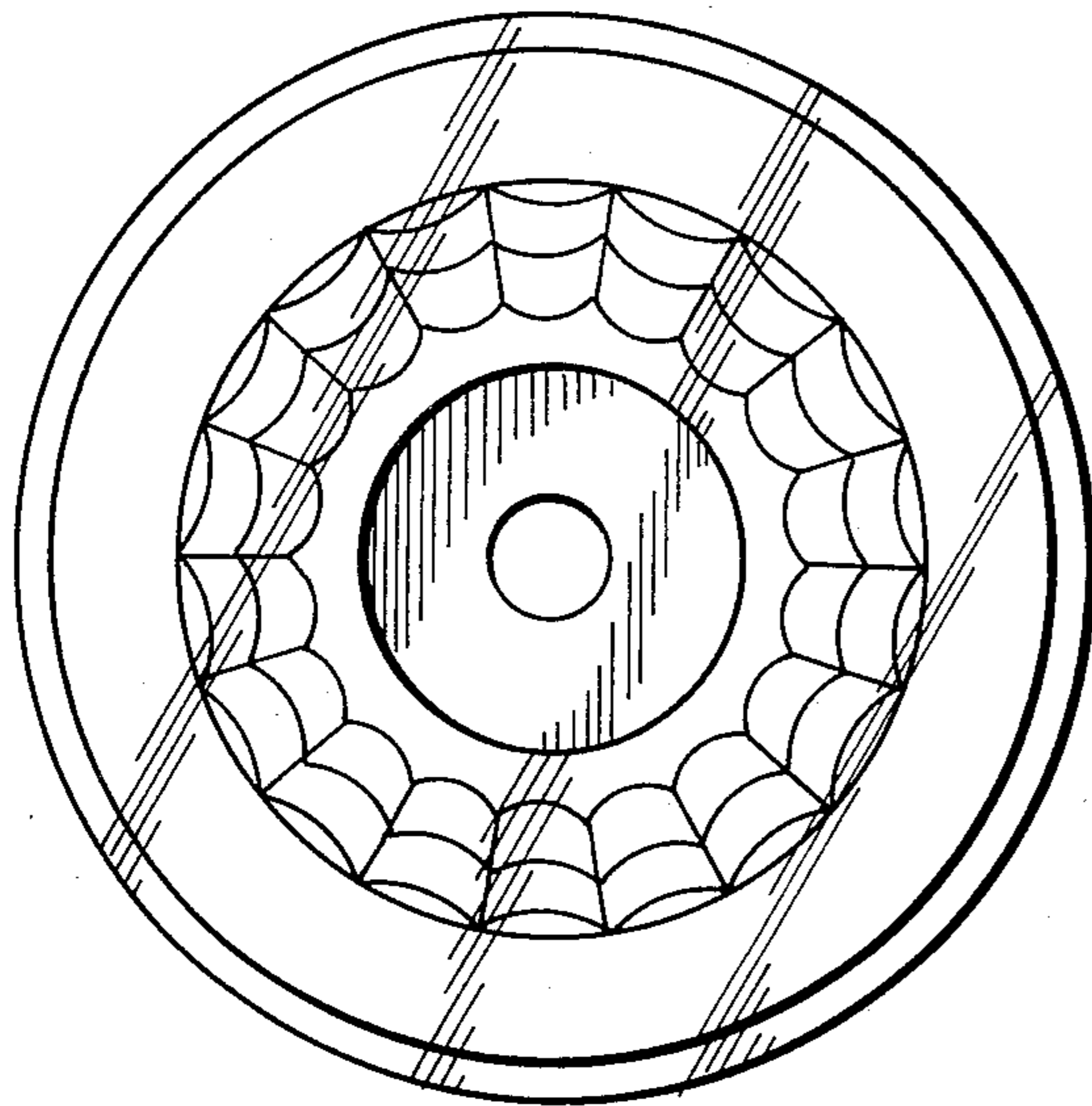


FIG. 1

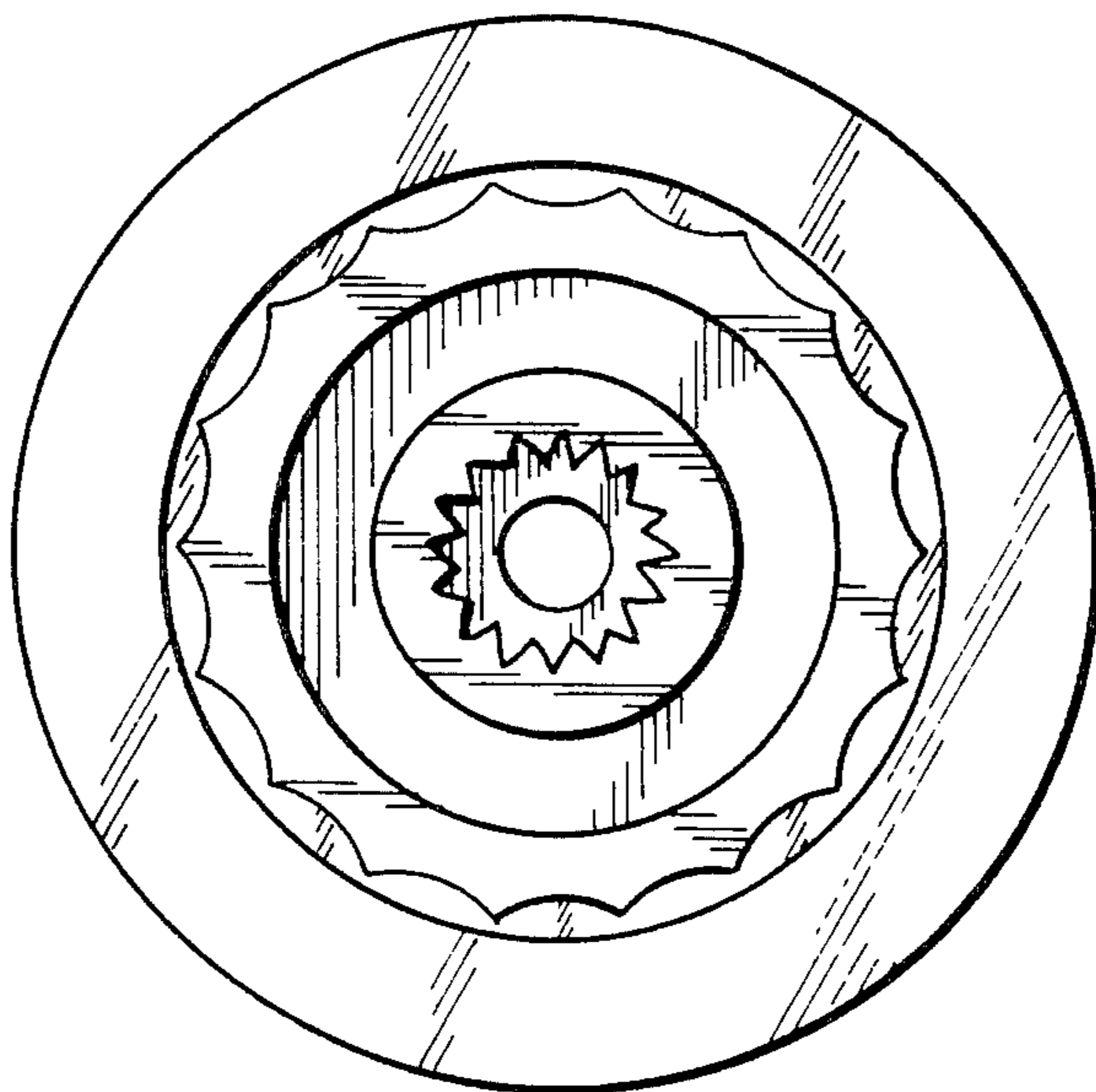
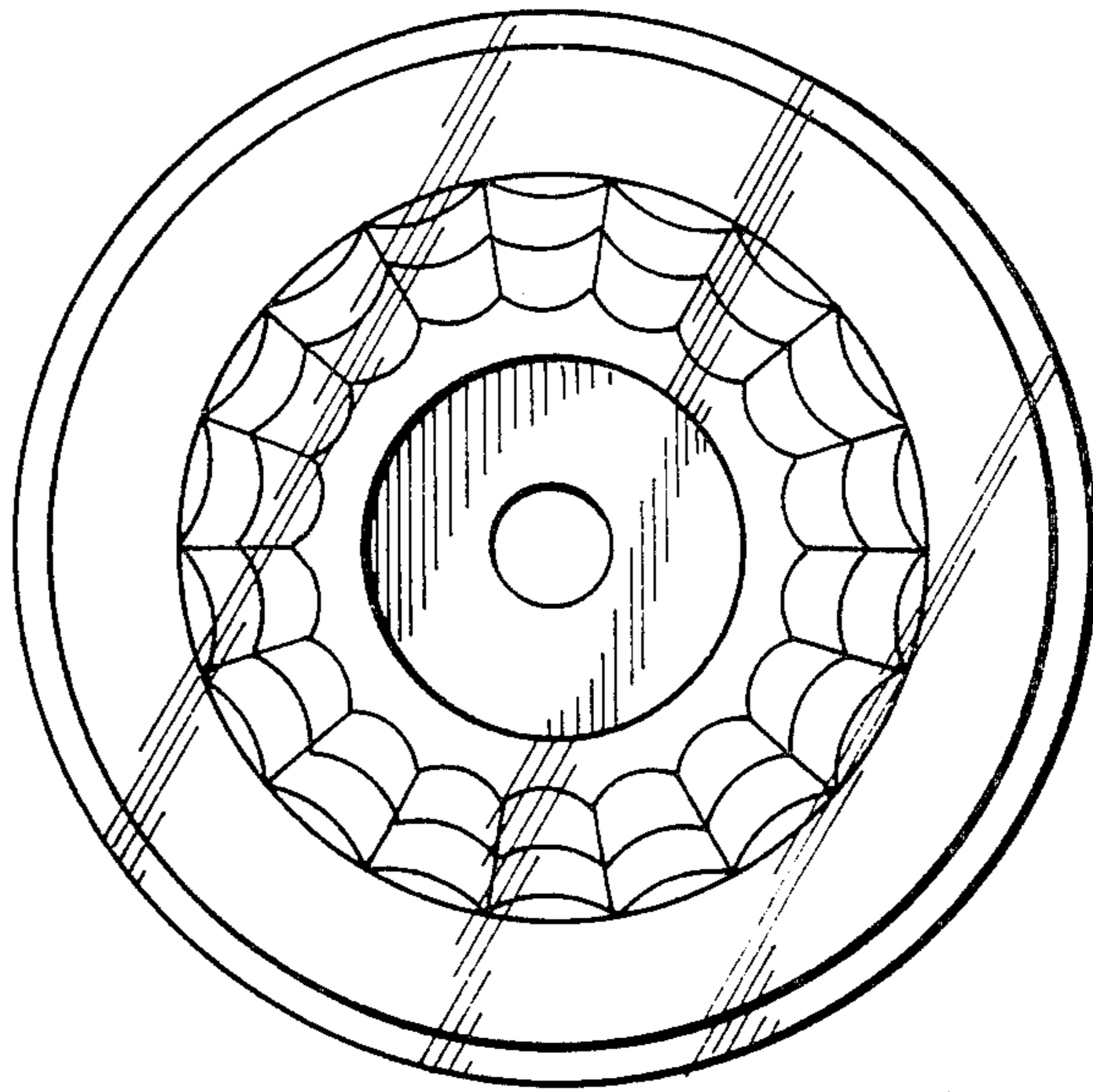


FIG. 2

FIG. 3

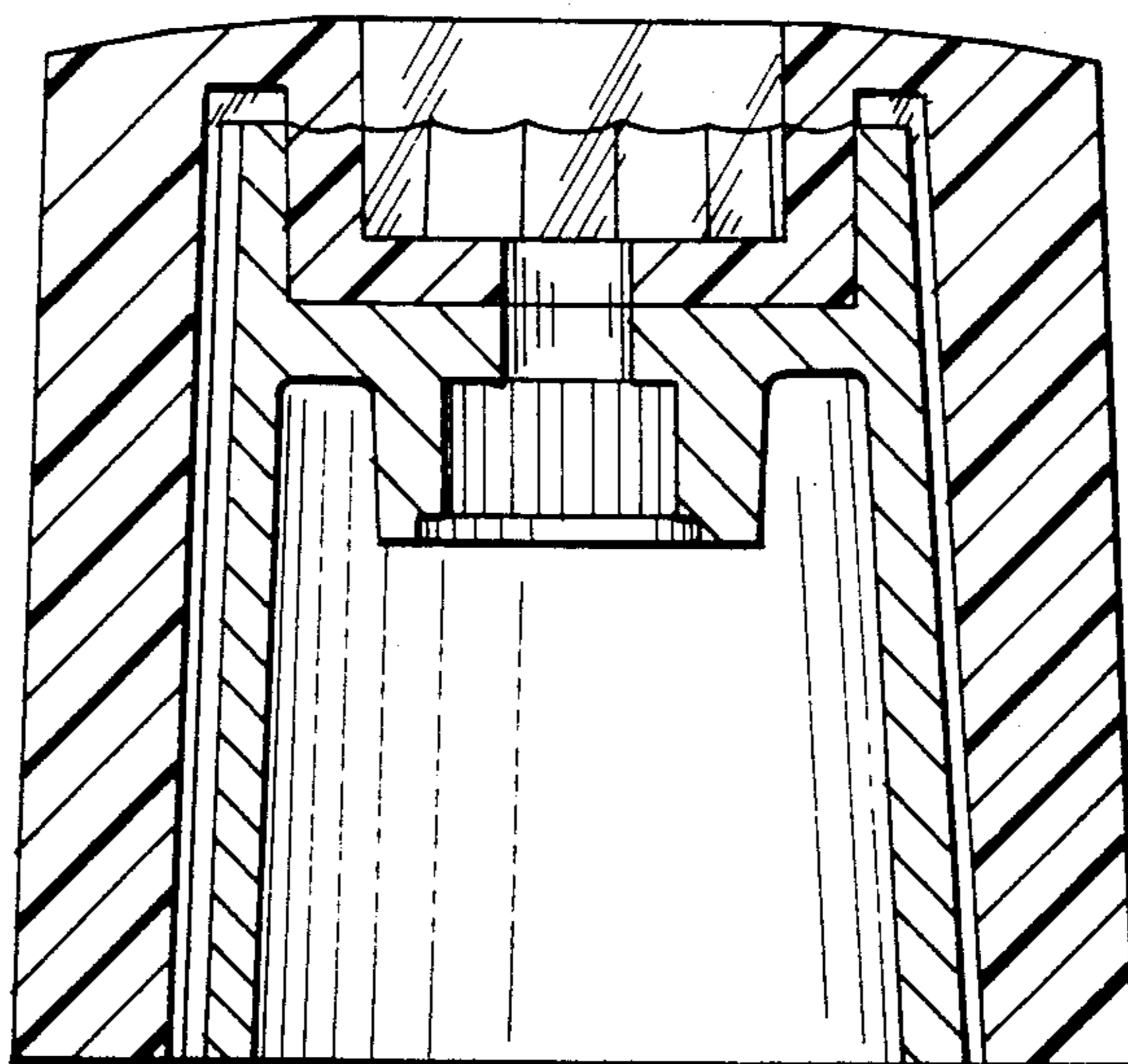
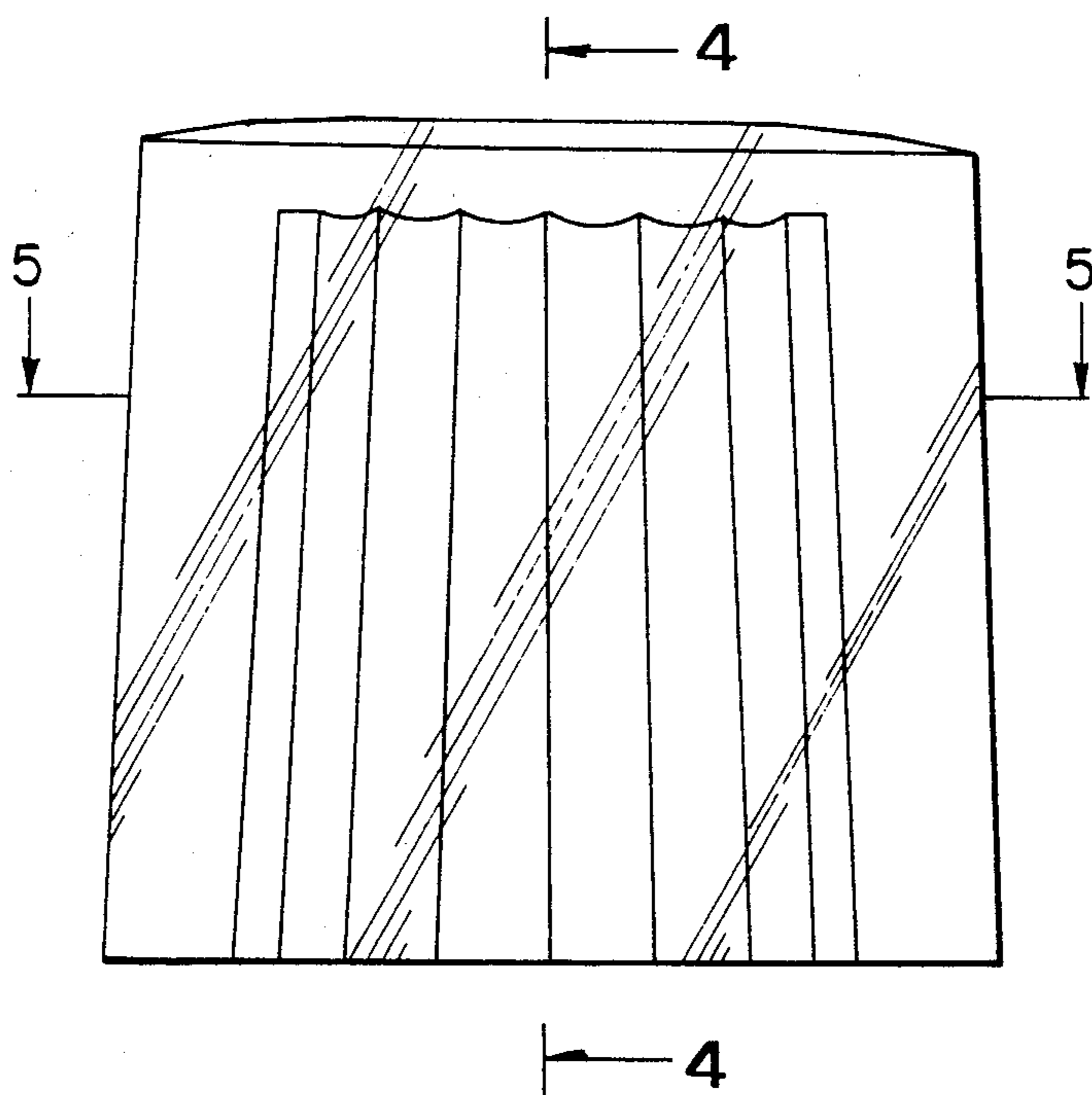


FIG. 4

FIG. 5

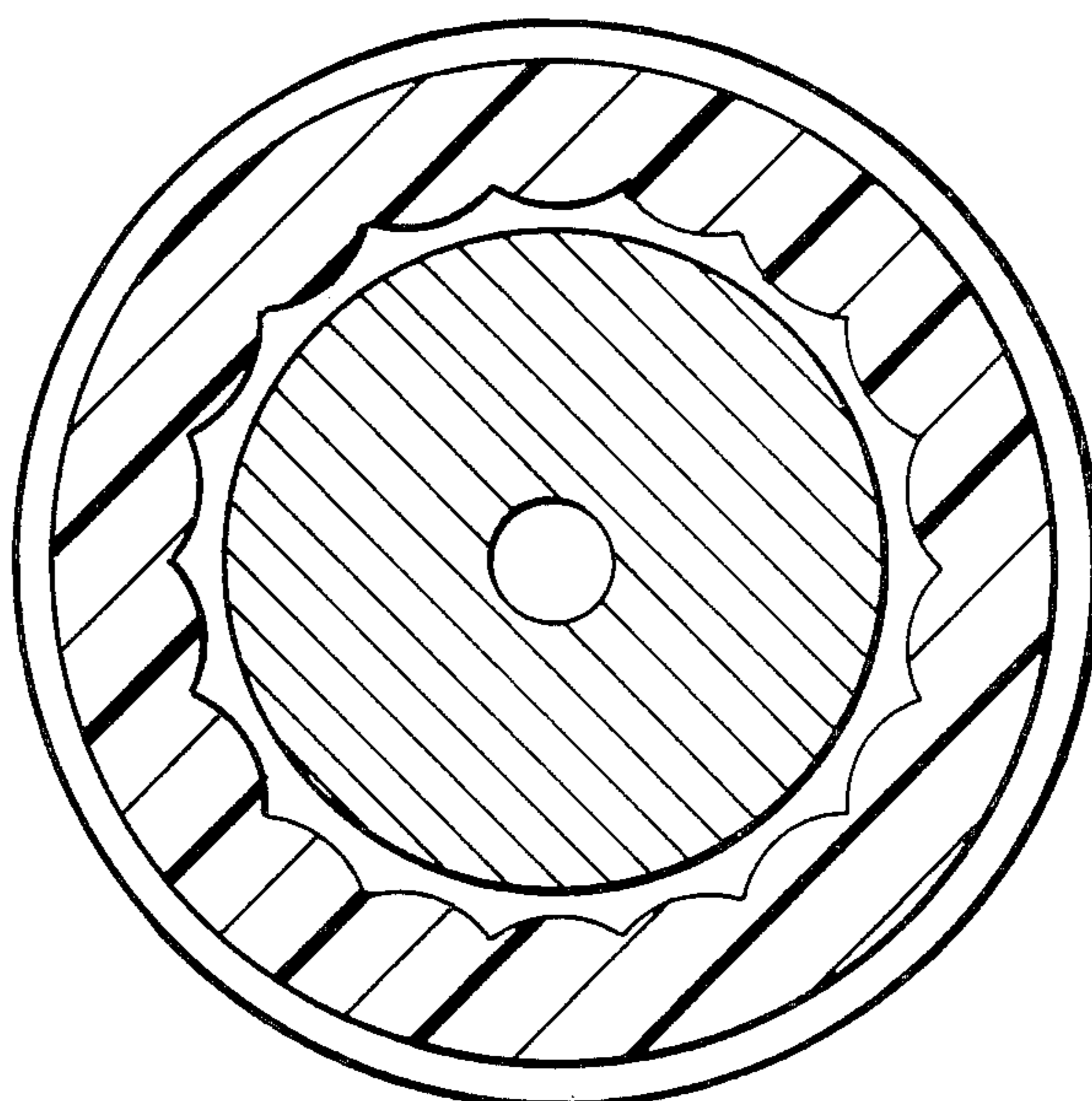
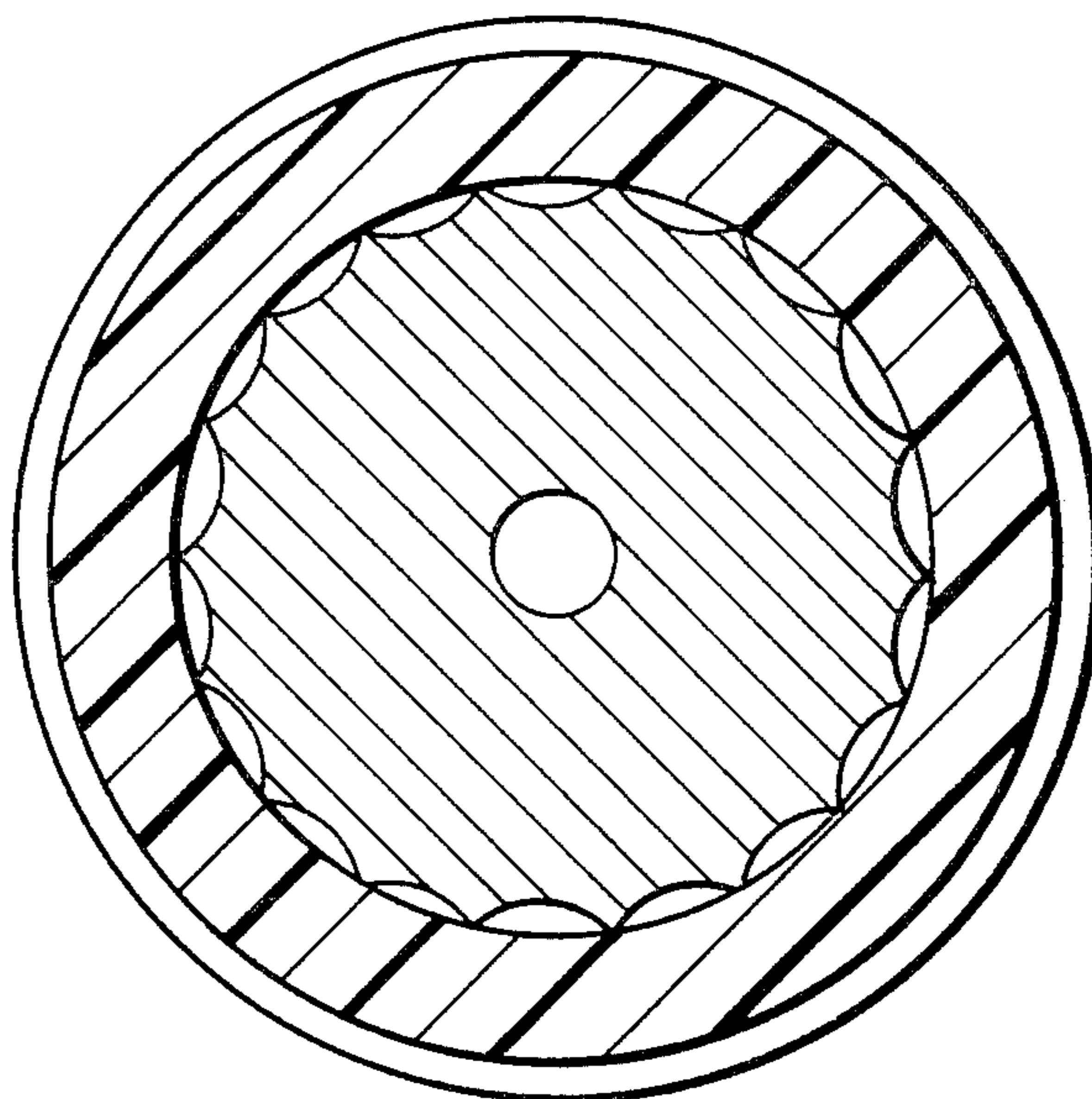


FIG. 10

FIG. 6

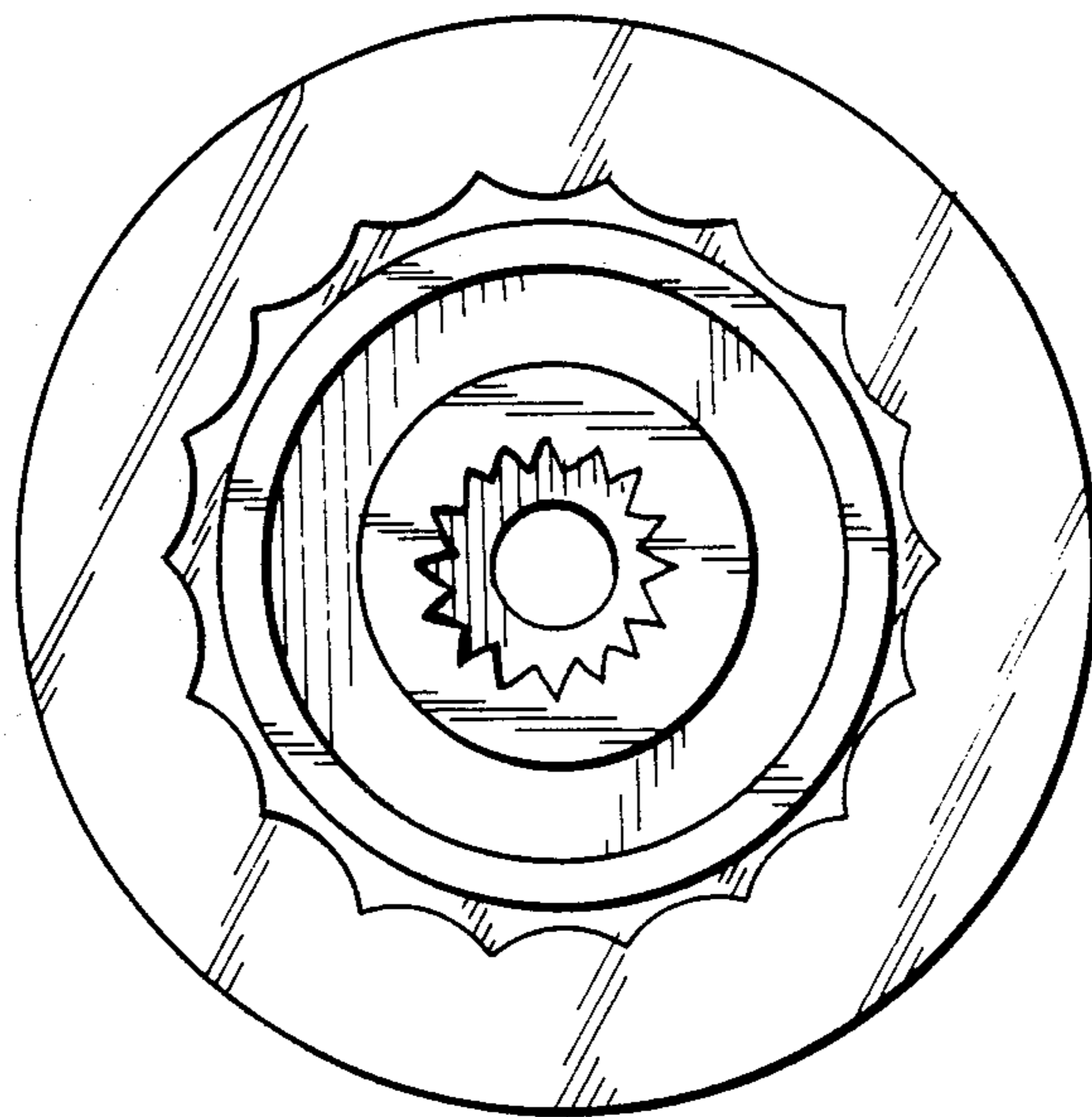
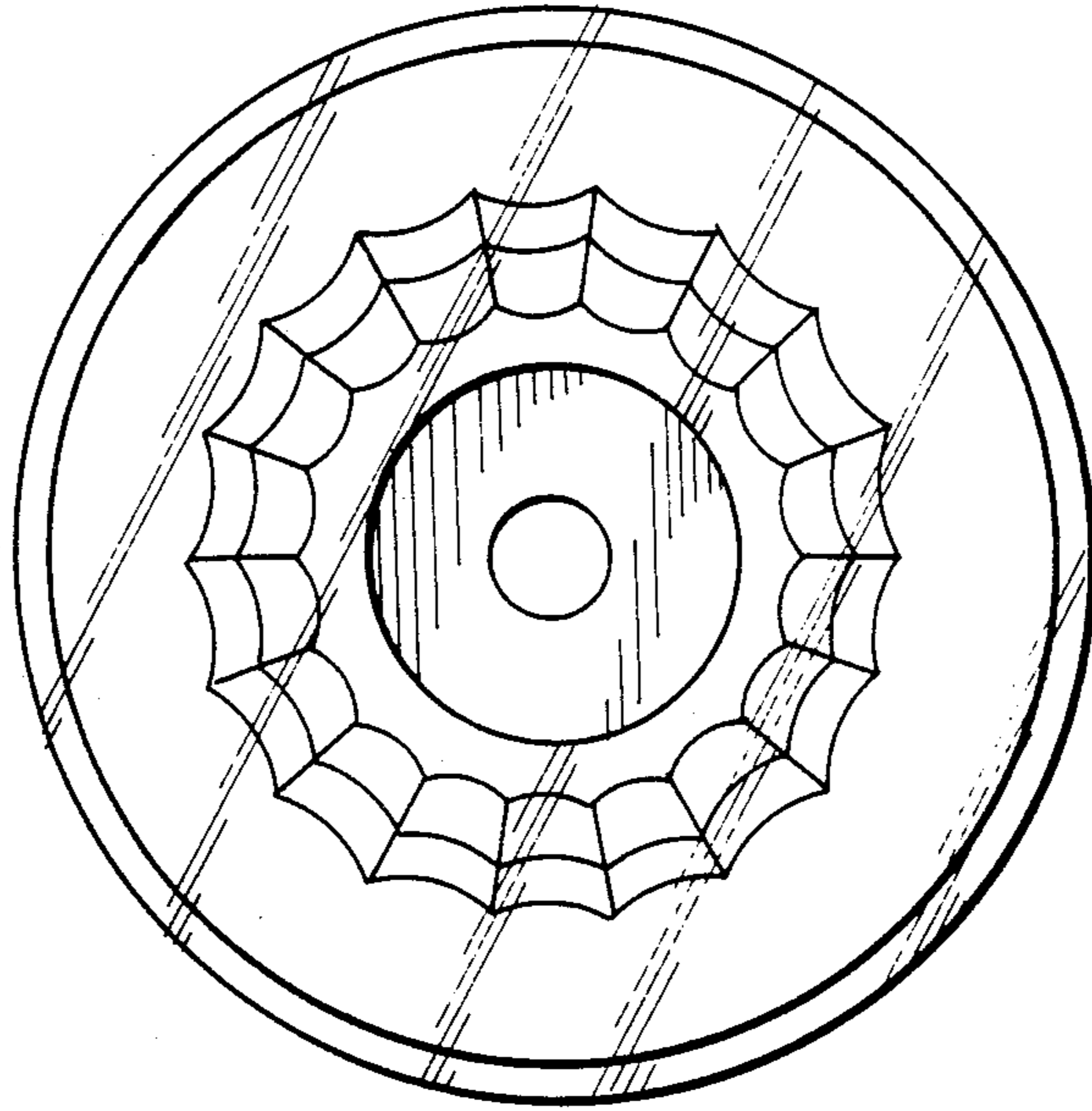


FIG. 7

FIG. 8

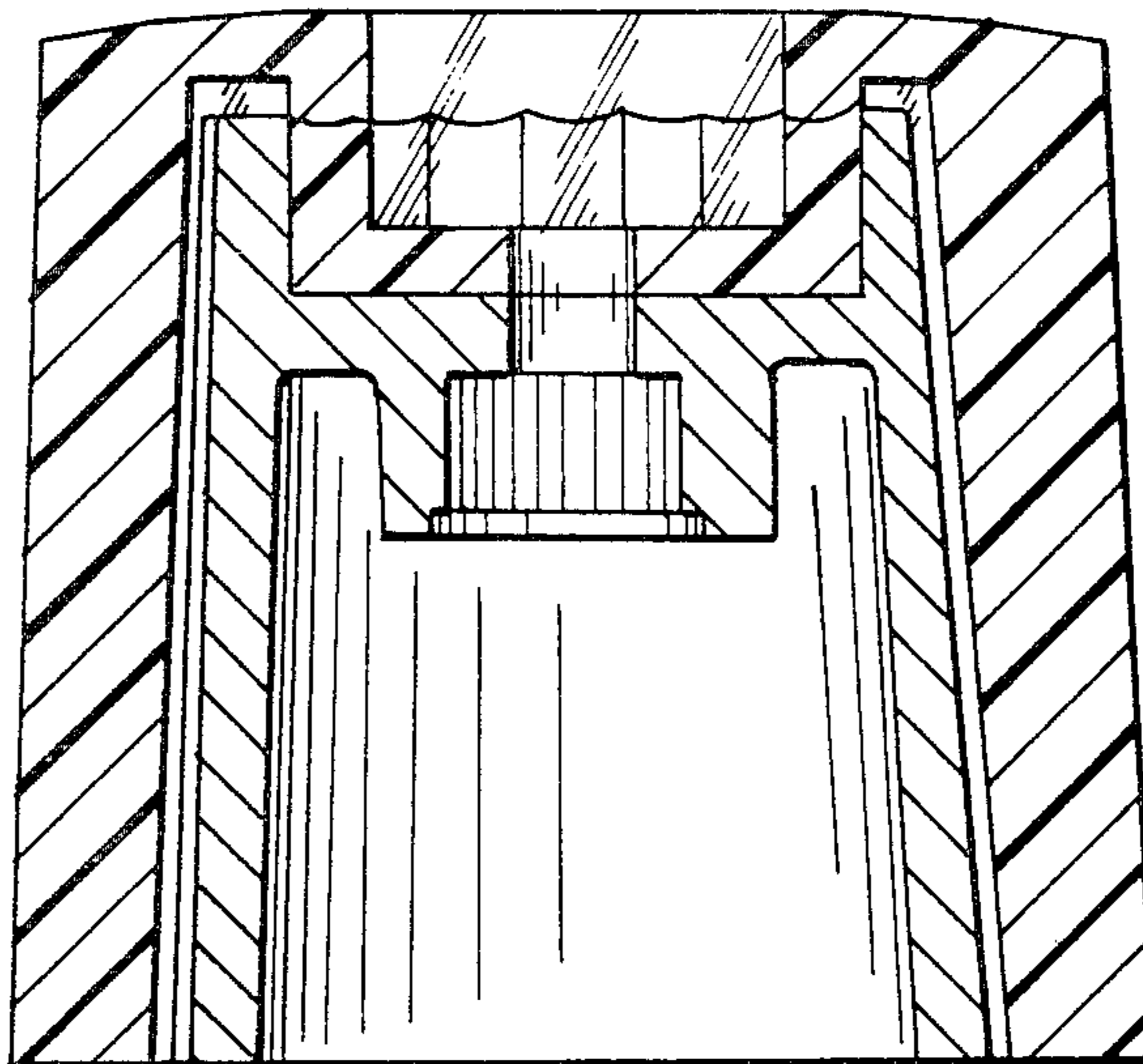
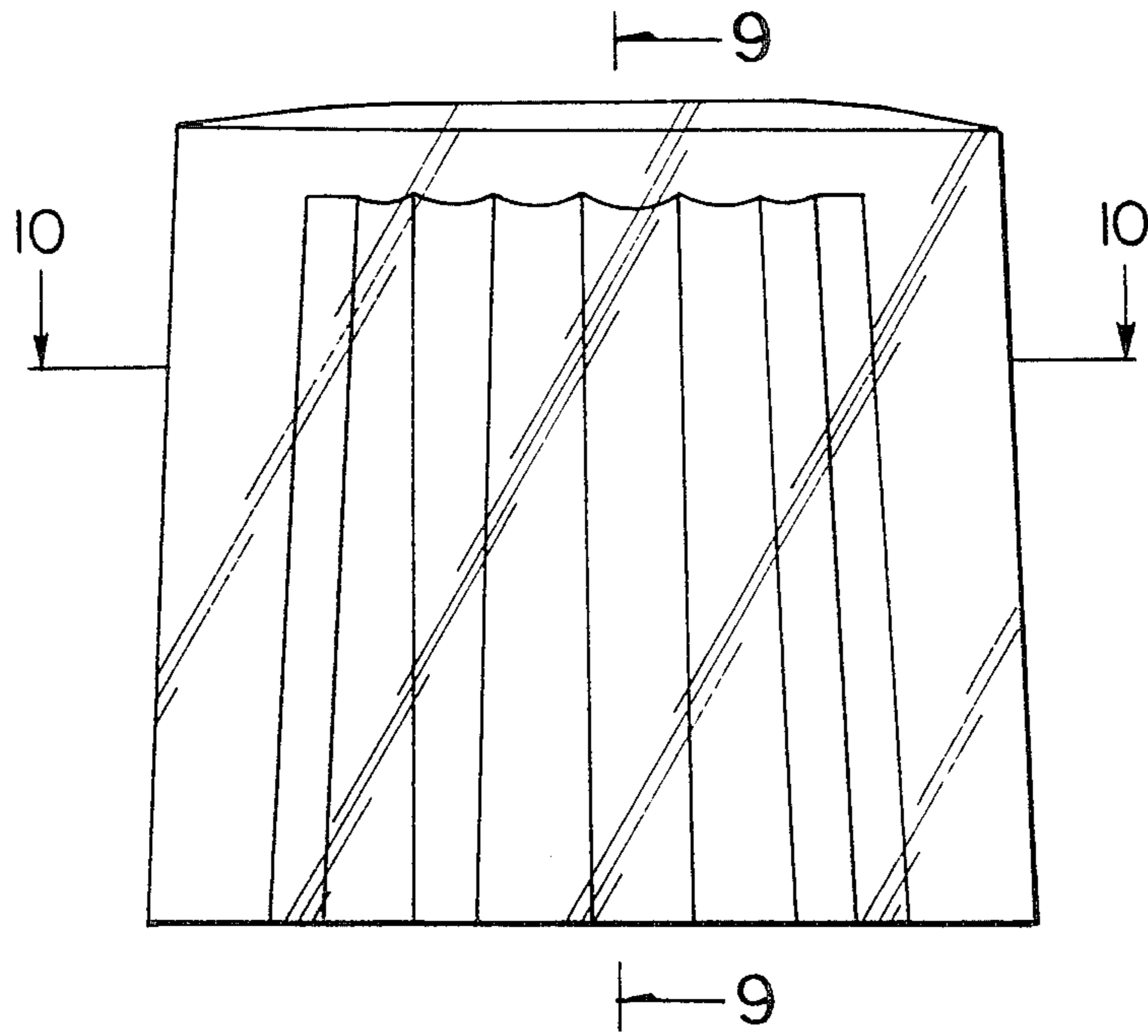


FIG. 9