

[54] ANIMAL-LIKE FIGURE TOY

[75] Inventor: Tethuo Ohkado, Tokyo, Japan

[73] Assignee: Tomy Kogyo Company, Incorporated, Japan

[**] Term: 14 Years

[21] Appl. No.: 407,891

[22] Filed: Aug. 13, 1982

[30] Foreign Application Priority Data

Aug. 25, 1981 [JP] Japan 56-37330

[52] U.S. Cl. D21/150

[58] Field of Search D21/148, 150, 87, 166; 46/22, 115, 116, 202, 201

[56] References Cited

U.S. PATENT DOCUMENTS

D. 221,166 7/1971 Gorfain D21/87

D. 266,777 11/1982 Lucas, Jr. et al. D21/87

D. 272,752 2/1984 Boudreaux D21/87

4,248,006 2/1981 Jones et al. 46/202

Primary Examiner—Melvin B. Feifer
Attorney, Agent, or Firm—K. H. Boswell

[57] CLAIM

The ornamental design for an animal-like figure toy, substantially as shown and described.

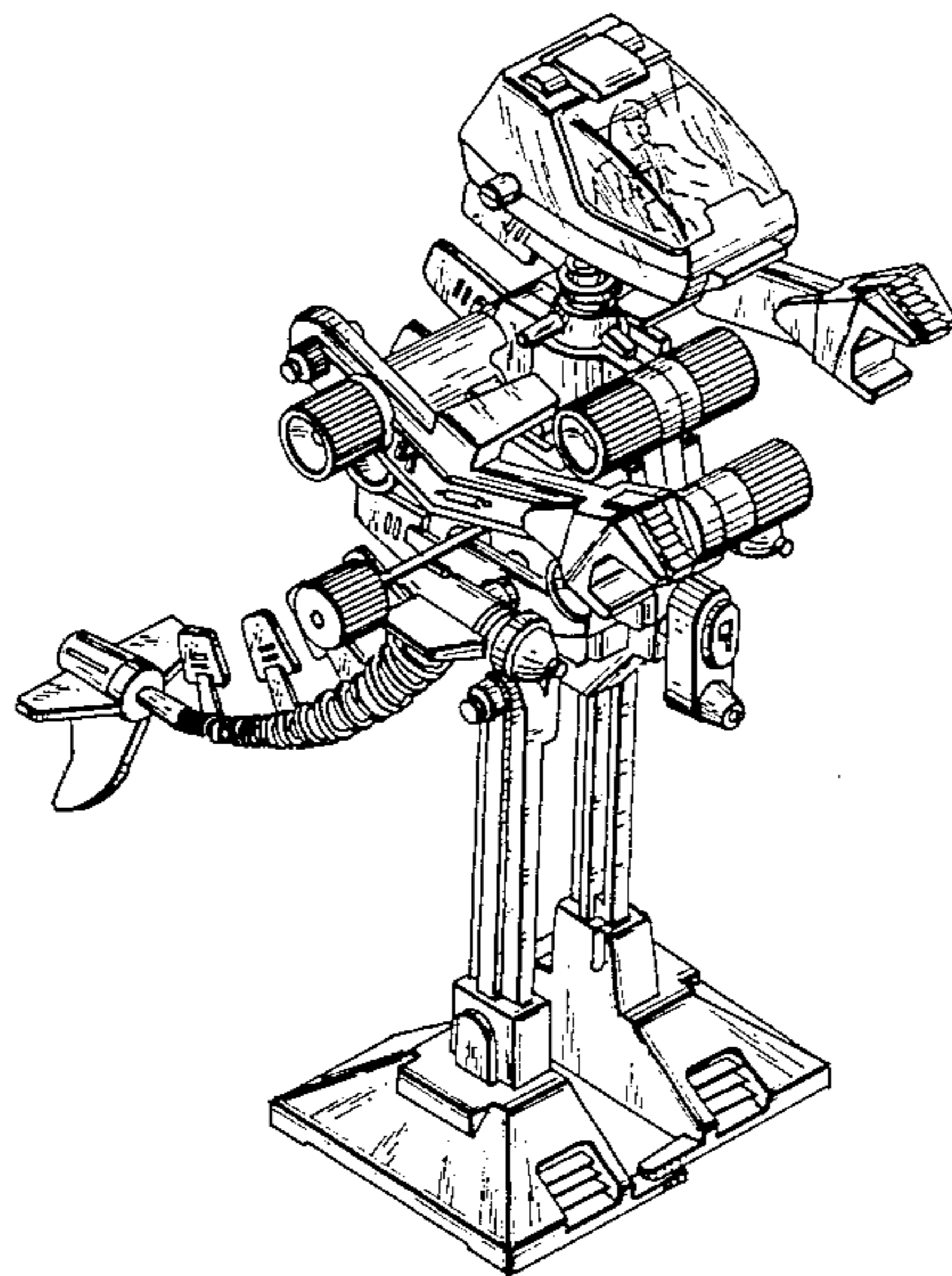
DESCRIPTION

FIG. 1 is an isometric view showing the front, one side and the top of an animal-like figure toy, showing my new design;

FIG. 2 is a side elevational view showing the other side of the animal-like figure toy of FIG. 1;

FIG. 3 is a rear elevational view of the animal-like figure toy of FIG. 1; and

FIG. 4 is a bottom plan view of the animal-like figure toy of FIG. 1.



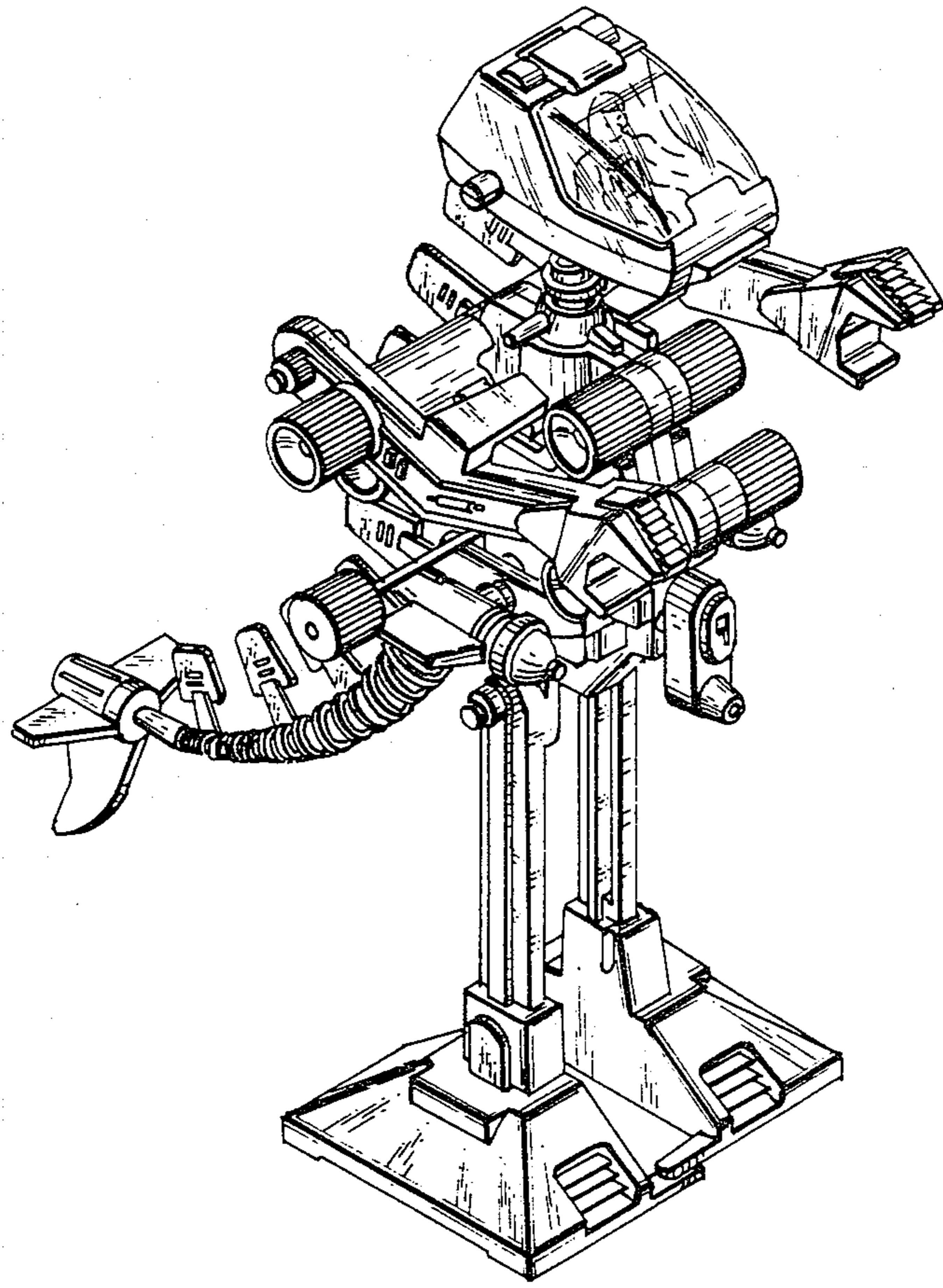


FIG. 1

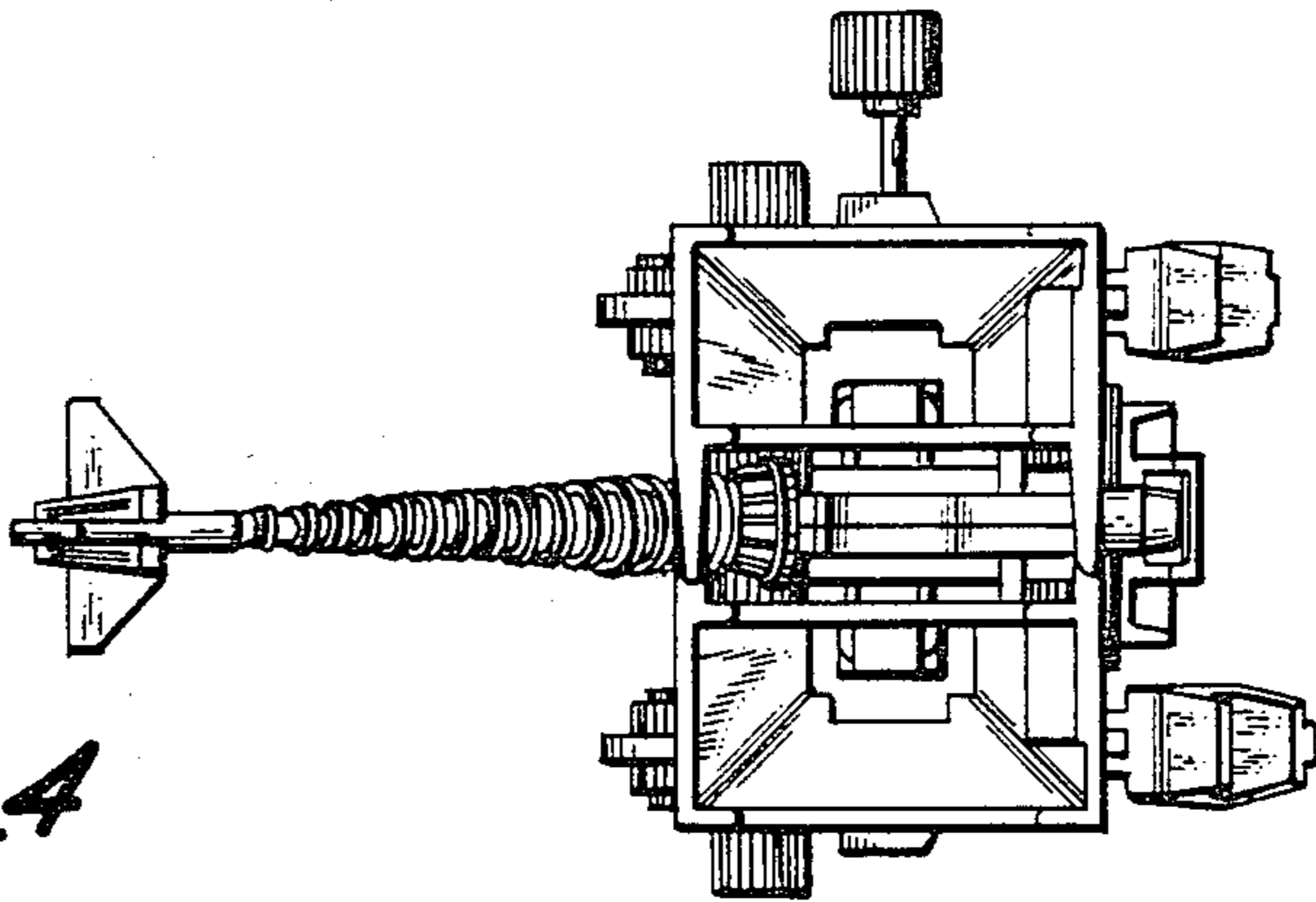


FIG. 4

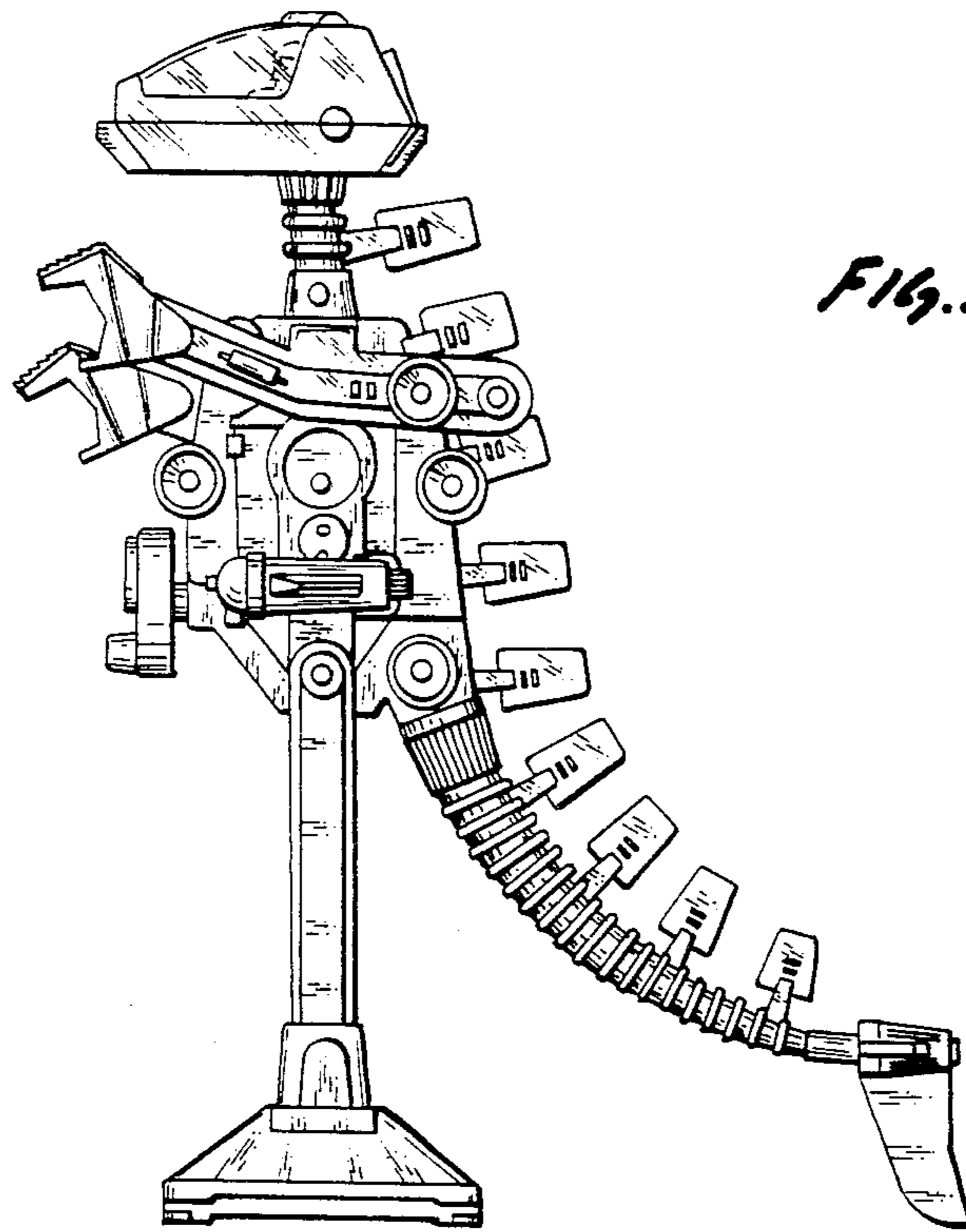


Fig. 2

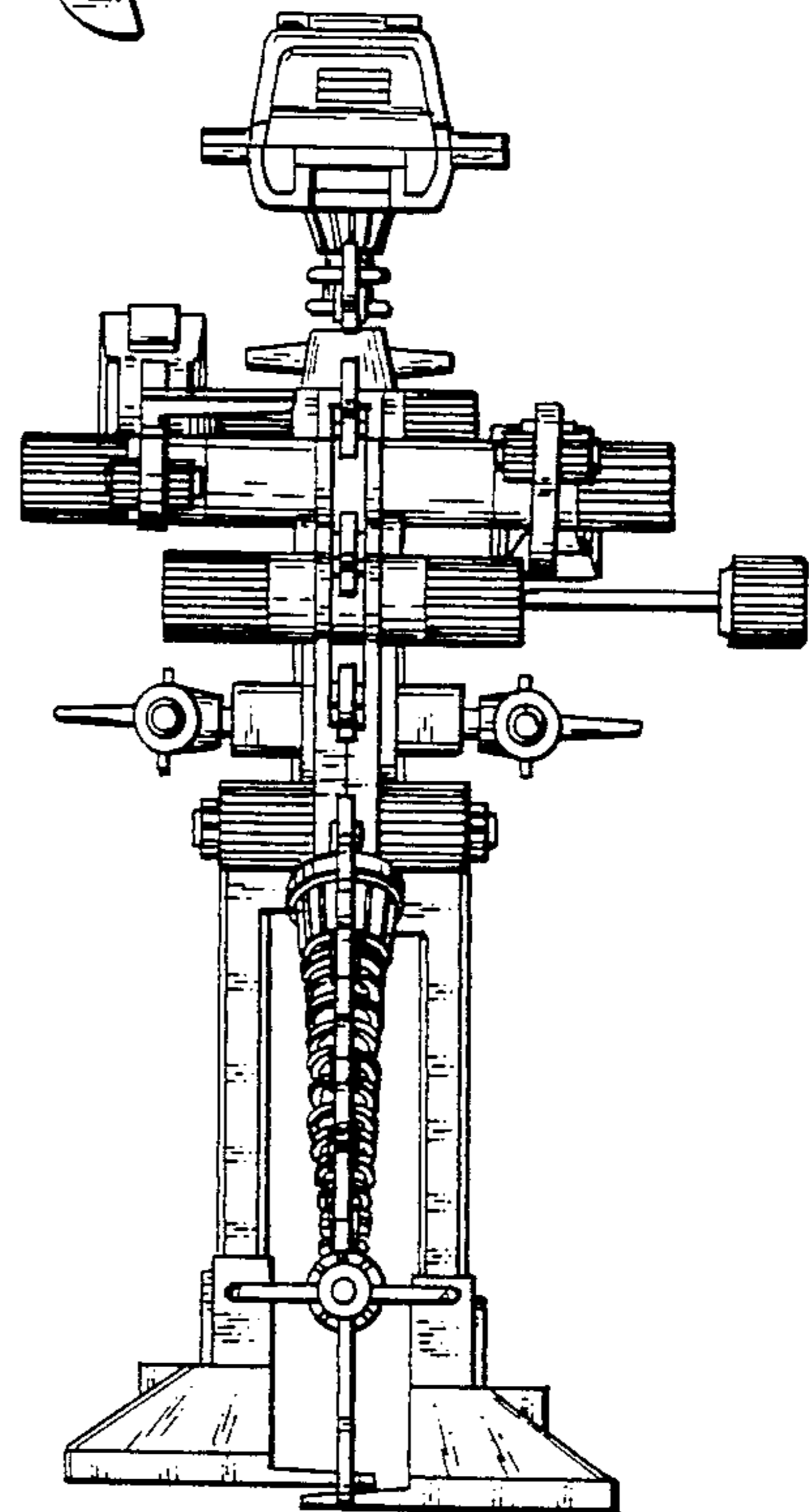


Fig. 3