

[54] TOY AIRPLANE

[76] Inventor: **Yasuaki Ninomiya**, Suite 5-101
Tamaplaza, 20 Utsukushigaoka,
1-chome, Midoriku, Yokohama,
Kanagawa, Japan

[**] Term: **14 Years**

[21] Appl. No.: **441,653**

[22] Filed: **Nov. 15, 1982**

[30] **Foreign Application Priority Data**

May 28, 1982 [JP] Japan 57-23520

[52] U.S. Cl. **D21/89**

[58] Field of Search D21/87, 88, 89, 90,
D21/82; 244/93, 153 R, 154, 155 R; 446/61, 62,
63, 64, 65, 66, 67, 68

[56] **References Cited**

U.S. PATENT DOCUMENTS

D. 80,987 4/1930 Wilder et al. D21/89

2,298,425 10/1942 Shaffer 446/61
2,664,666 1/1954 Walker 446/61
2,718,092 9/1955 Grant 446/61

OTHER PUBLICATIONS

“Go Fly A Kite”, p. 15, #815, Galactical Glider.

Primary Examiner—Charles A. Rademaker
Attorney, Agent, or Firm—Spensley, Horn, Jubas &
Lubitz

[57] **CLAIM**

The ornamental design for a toy airplane, as shown.

DESCRIPTION

FIG. 1 is a left side perspective view of a toy airplane showing my new design;
FIG. 2 is a bottom perspective view;
FIG. 3 is a front elevational view;
FIG. 4 is a rear elevational view;
FIG. 5 is a left side elevational view;
FIG. 6 is a top plan view; and
FIG. 7 is a bottom plan view.

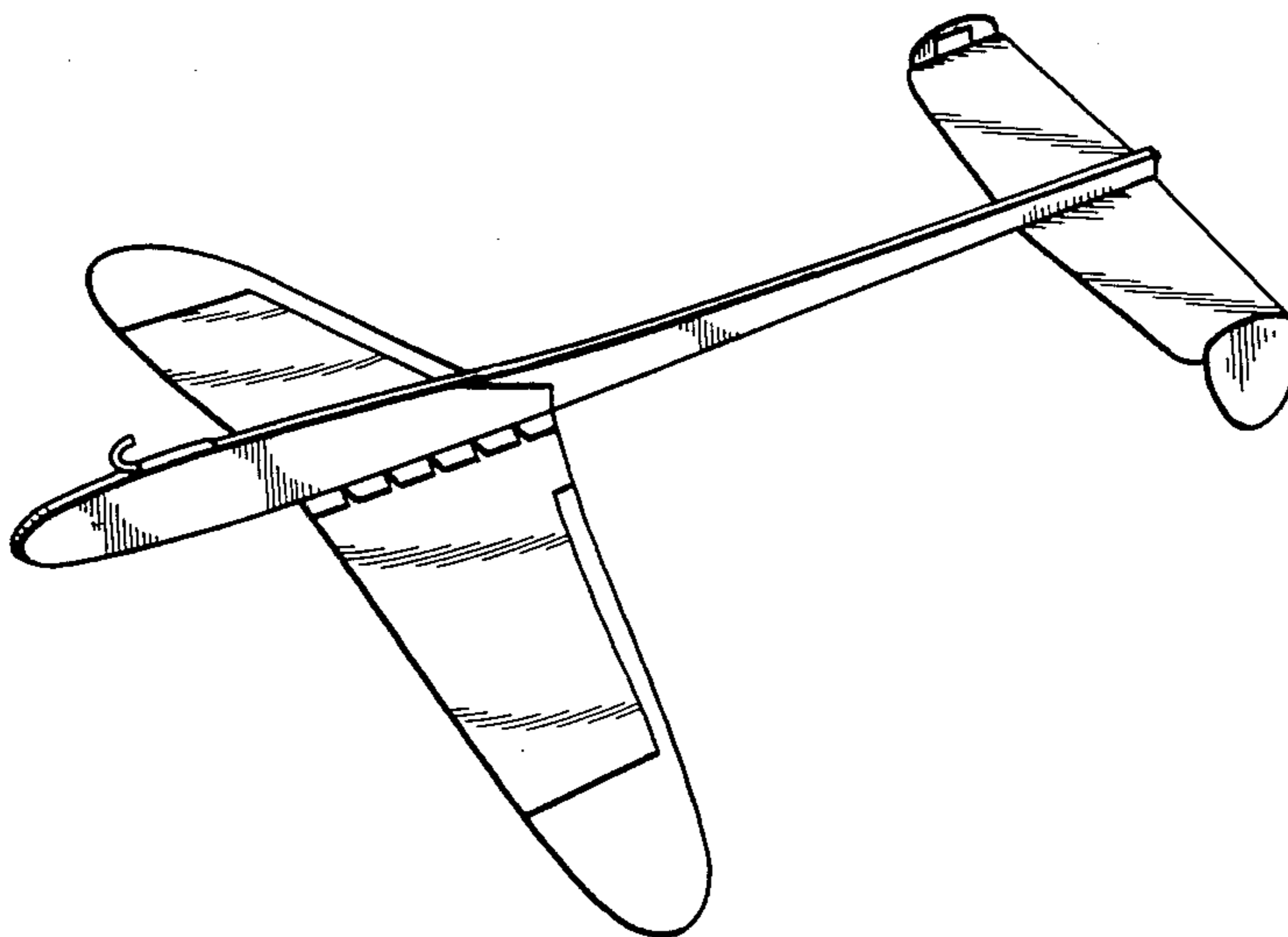


FIG. 1

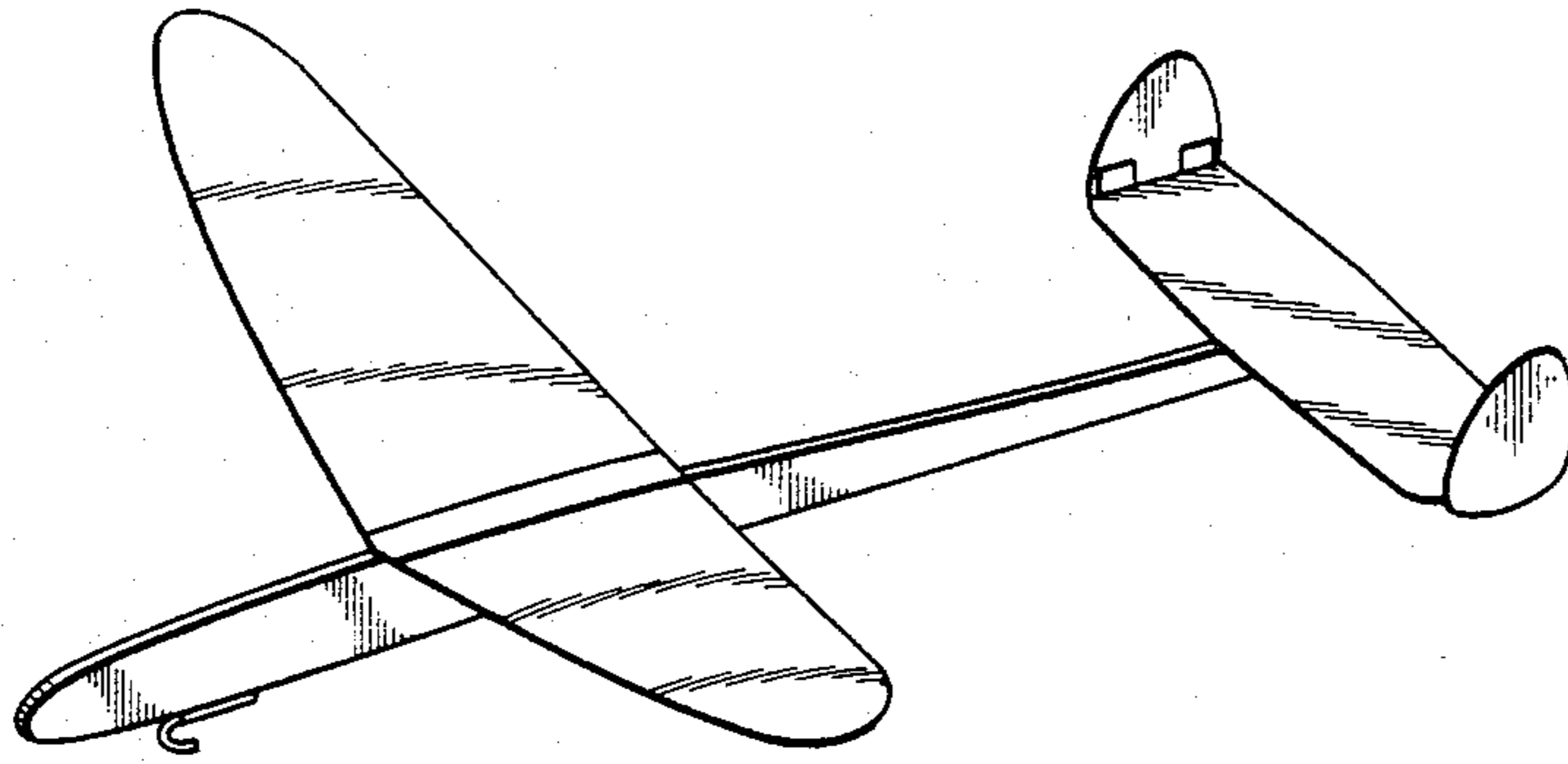


FIG. 2

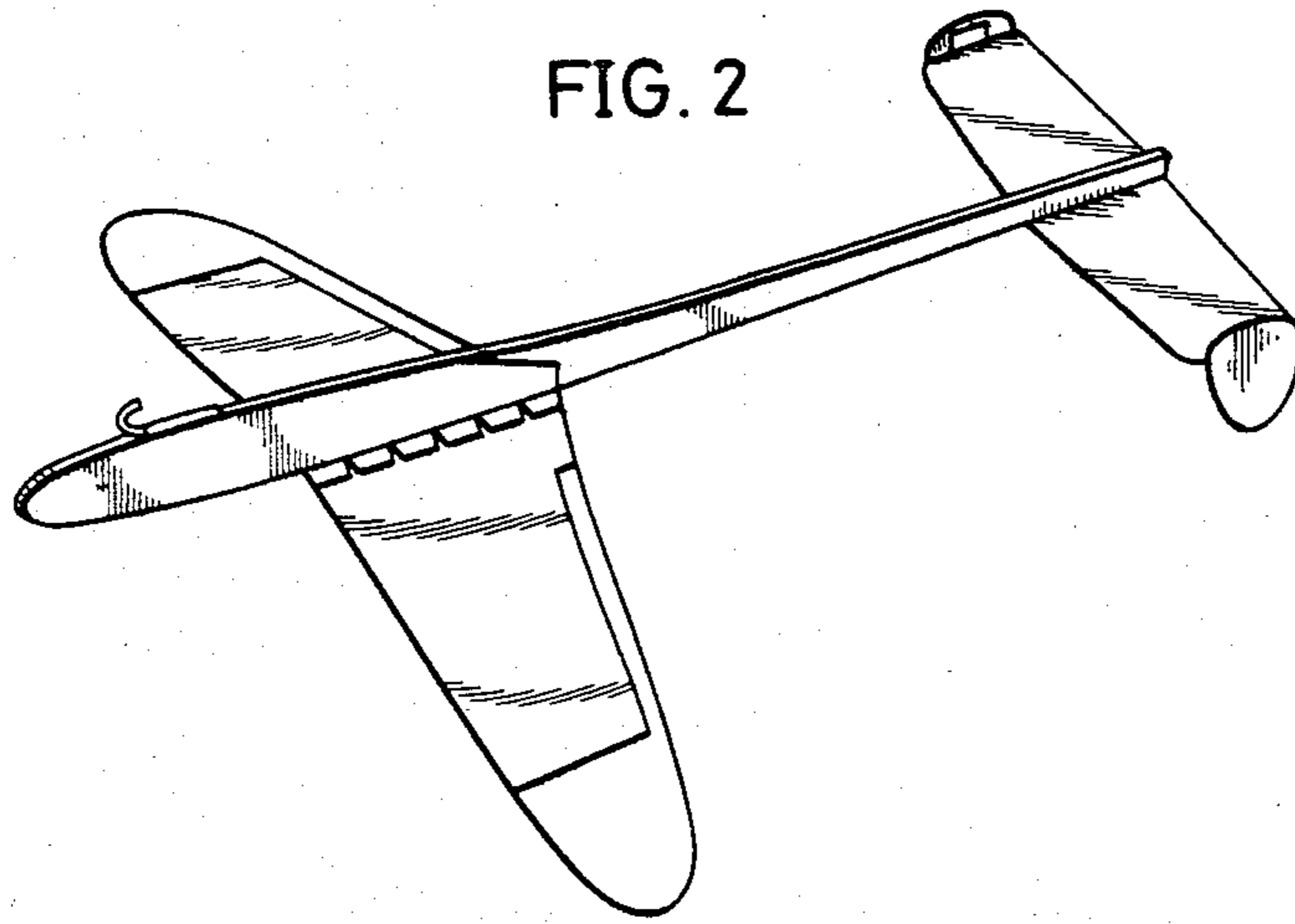


FIG. 3

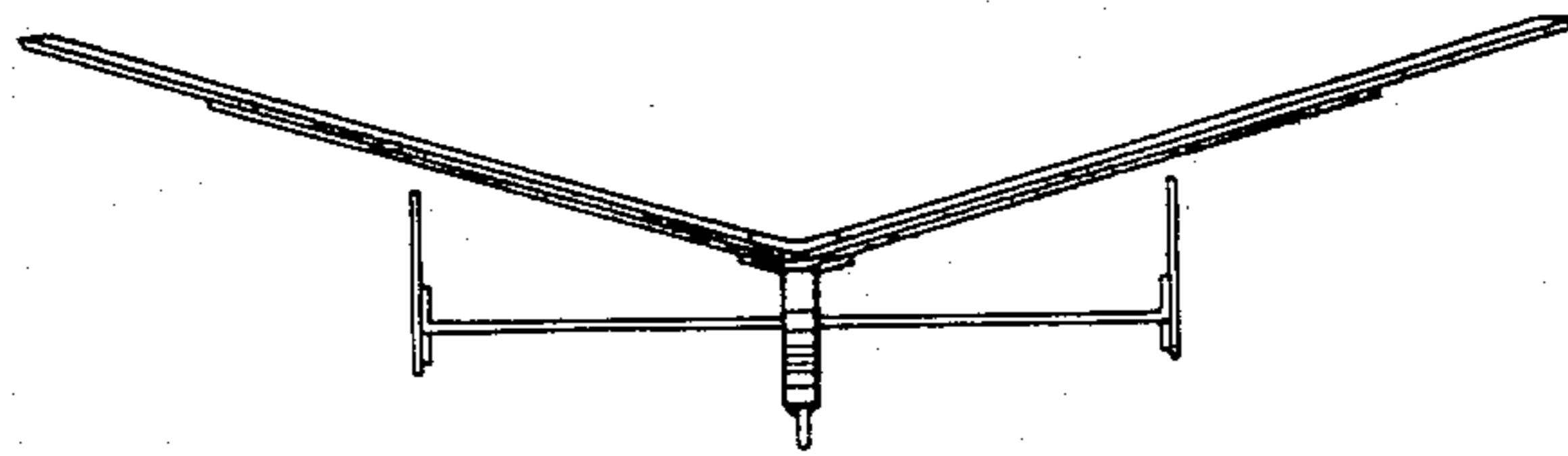


FIG. 4

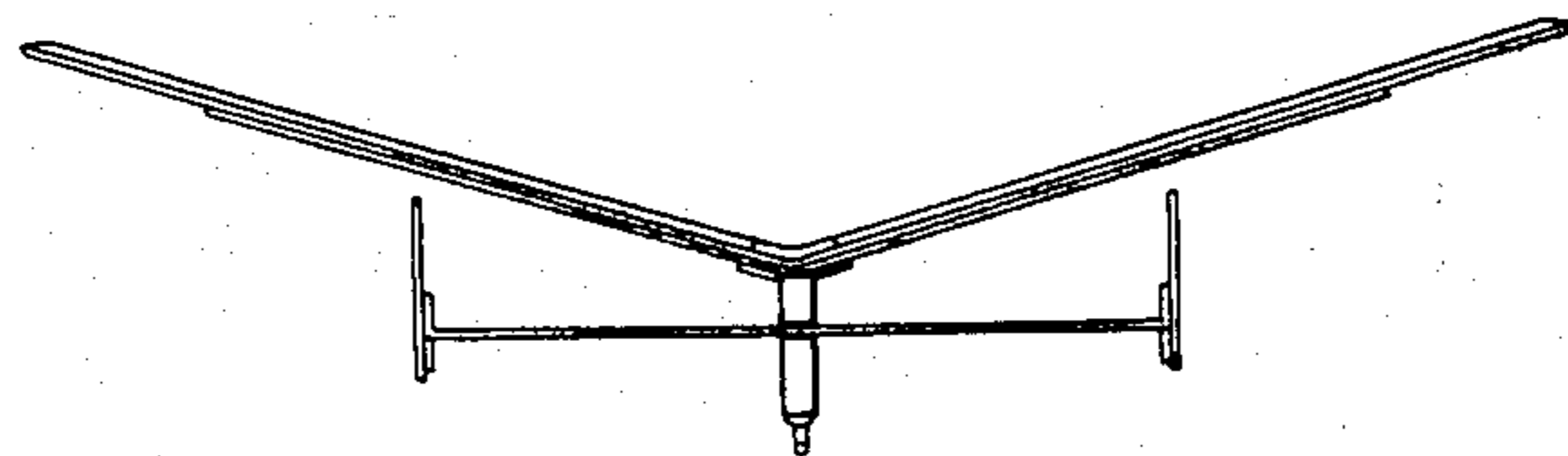


FIG. 5

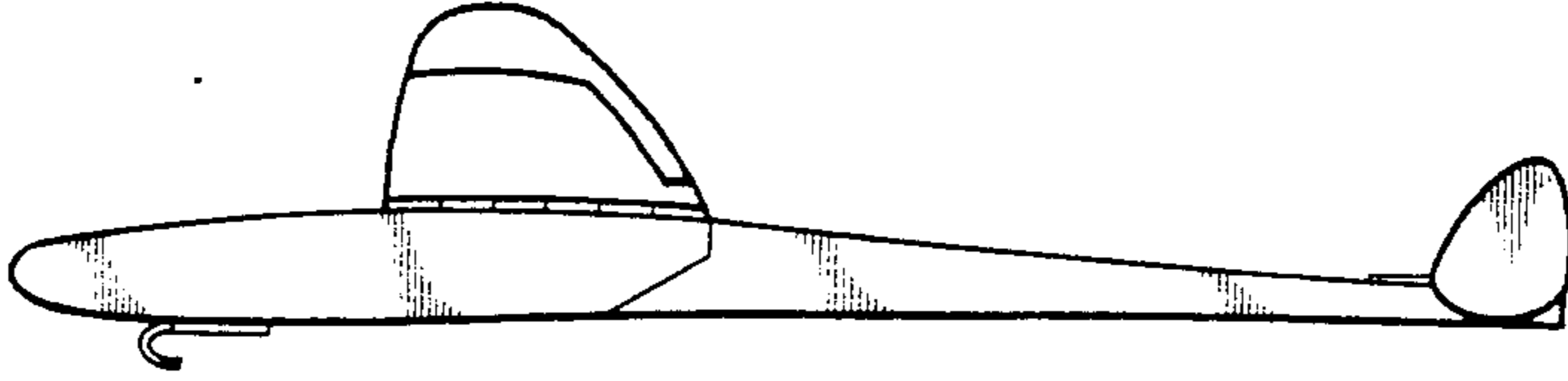


FIG. 6

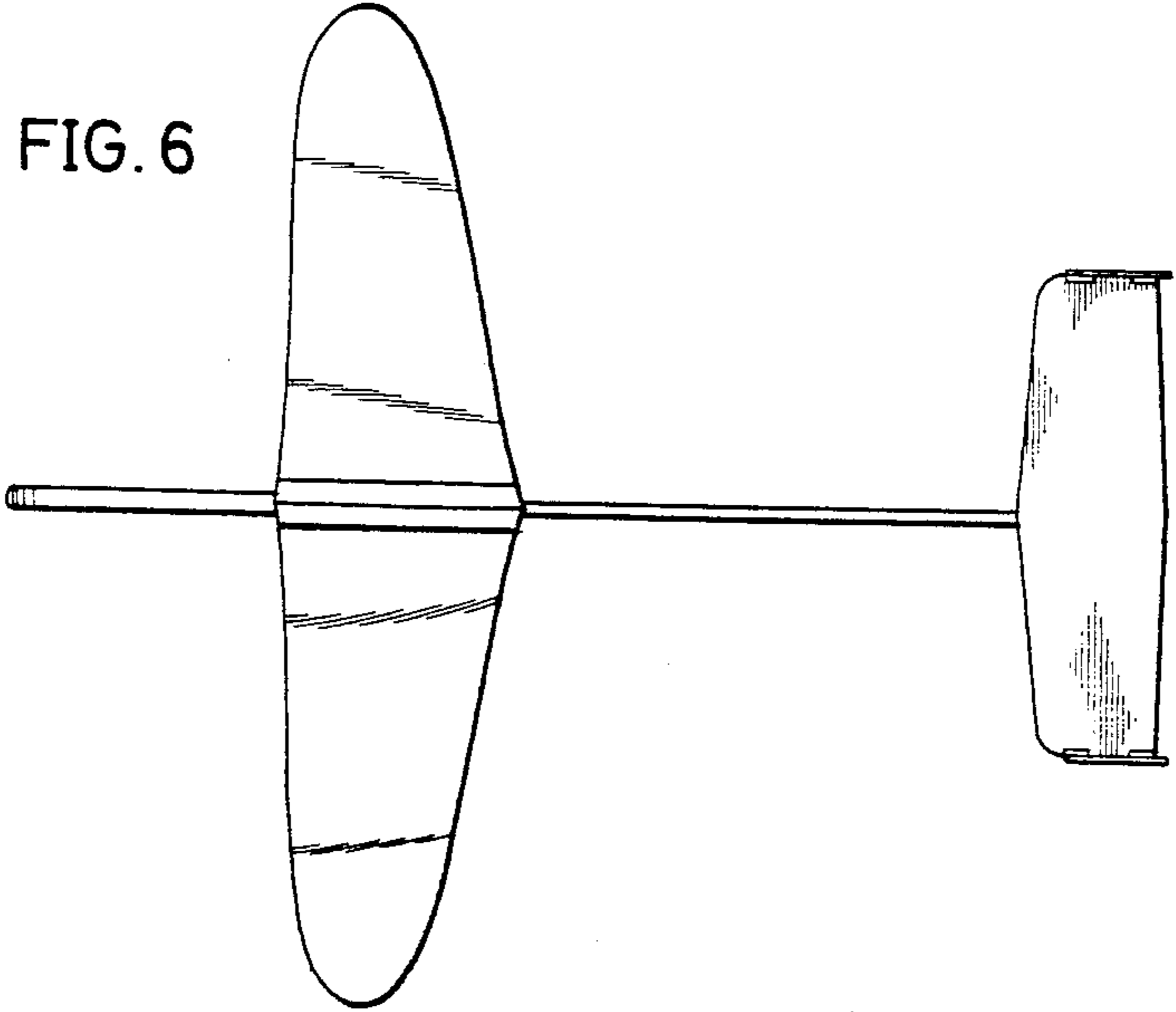


FIG. 7

