

United States Patent [19]

Wada

[11] Patent Number: **Des. 278,832**

[45] Date of Patent: **** May 14, 1985**

[54] LABELER

[75] Inventor: **Tokio Wada**, Nagareyamashi, Japan

[73] Assignee: **Kabushiki Kaisha Shinsei Industries**,
Tokyo, Japan

[**] Term: **14 Years**

[21] Appl. No.: **438,366**

[22] Filed: **Oct. 20, 1982**

[30] Foreign Application Priority Data

Apr. 20, 1982 [JP] Japan 57-17061

[52] U.S. Cl. **D18/19**

[58] Field of Search D18/14, 19; 101/288;
156/384, DIG. 48, DIG. 49

[56] References Cited

U.S. PATENT DOCUMENTS

D. 253,243 10/1979 Sato D18/19

D. 259,495 6/1981 Wada D18/19

D. 269,526 6/1983 Holland-Letz D18/19
4,377,435 3/1983 Fujita 156/DIG. 48
4,406,727 9/1983 Fujita 101/288 X

Primary Examiner—Louis S. Zarfes

Attorney, Agent, or Firm—Wenderoth, Lind & Ponack

[57] CLAIM

The ornamental design for a labeler, as shown.

DESCRIPTION

FIG. 1 is a front elevational view of a labeler, showing my new design:

FIG. 2 is a rear elevational view thereof:

FIG. 3 is an end elevational view of one end thereof:

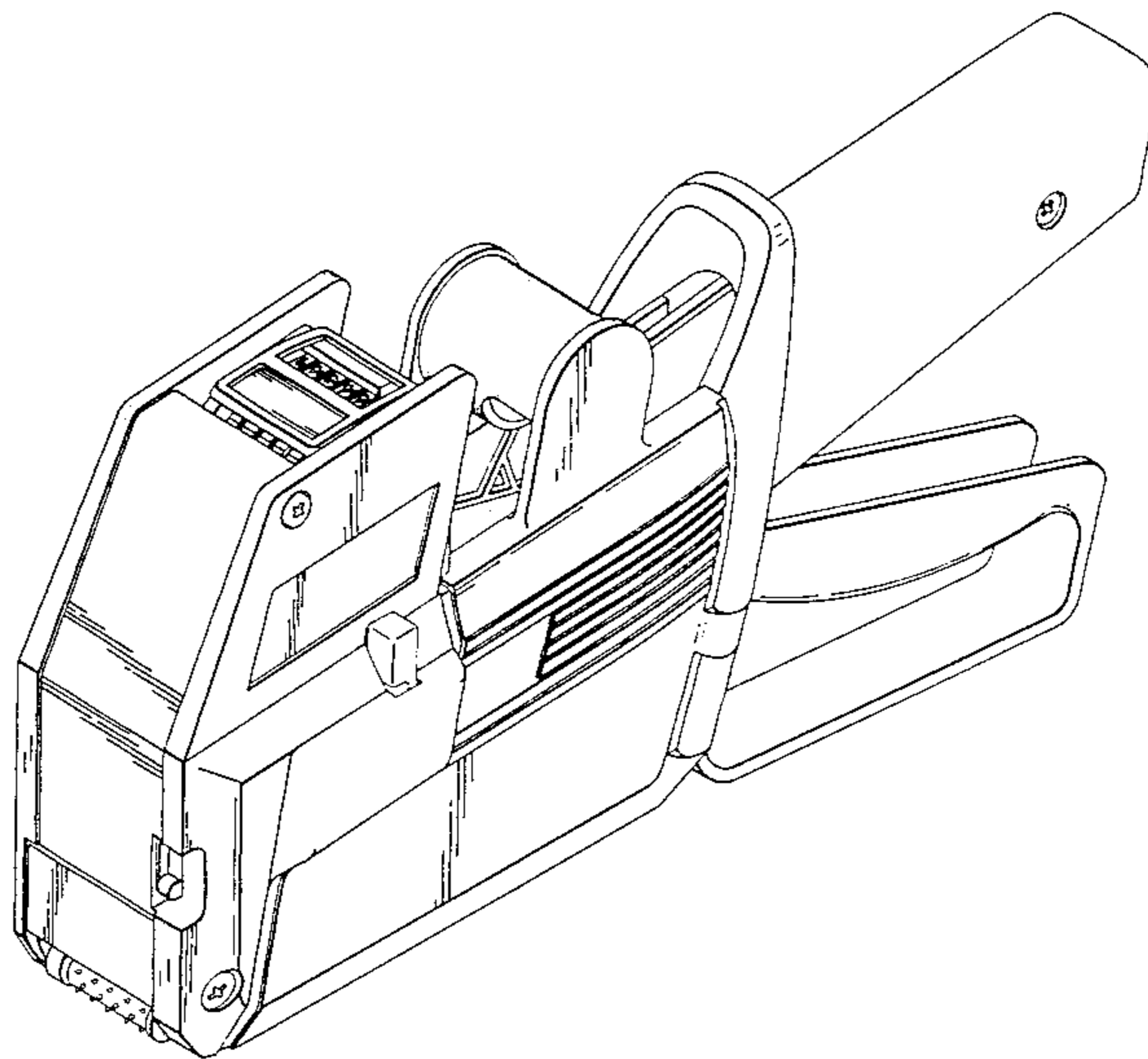
FIG. 4 is an end elevational view of the other end thereof:

FIG. 5 is a bottom plan view thereof:

FIG. 6 is a top plan view thereof:

FIG. 7 is a perspective view thereof taken from above and to the left in FIG. 1: and

FIG. 8 is a perspective view thereof taken from below and to the right in FIG. 2.



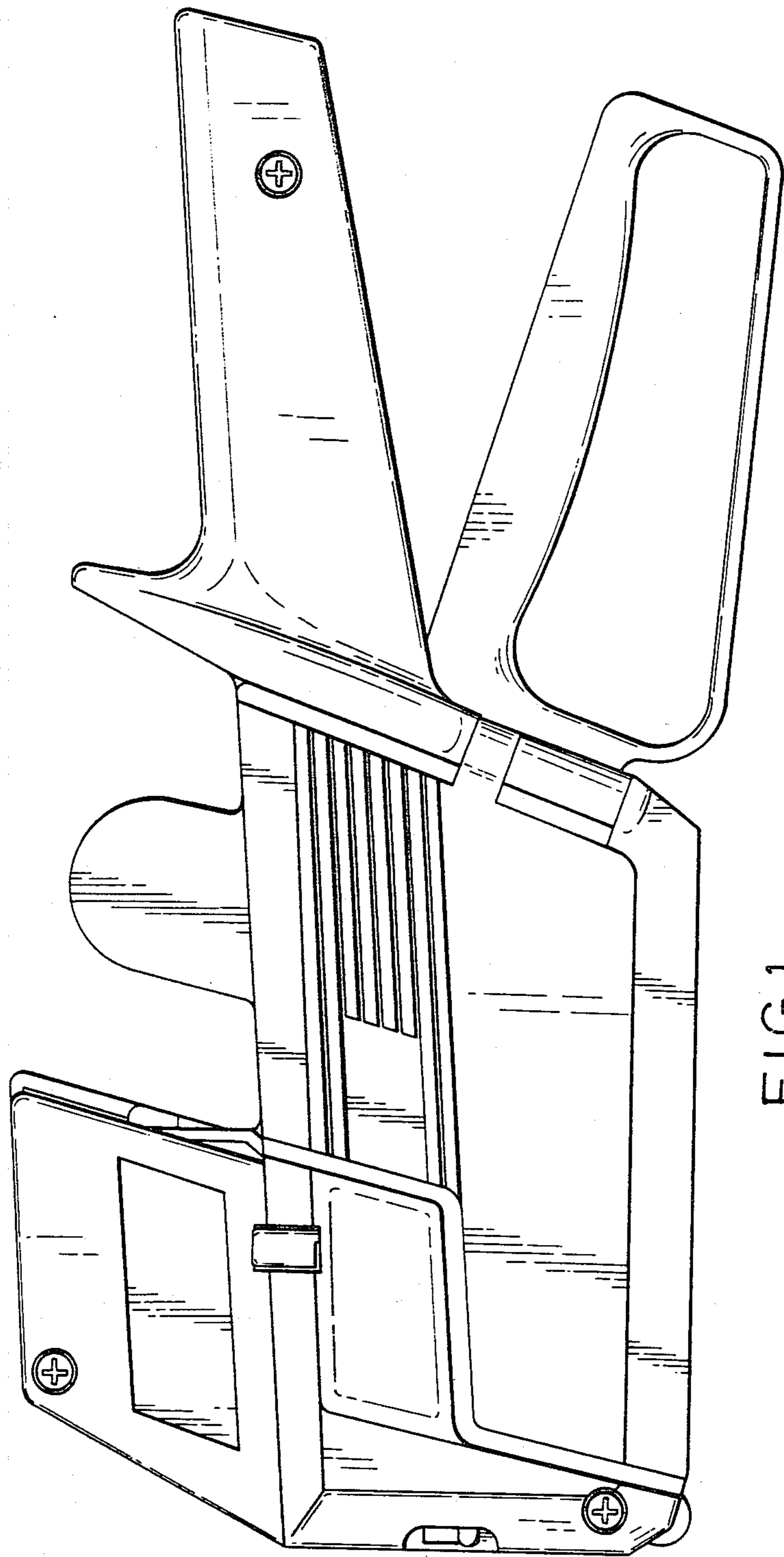


FIG. 1

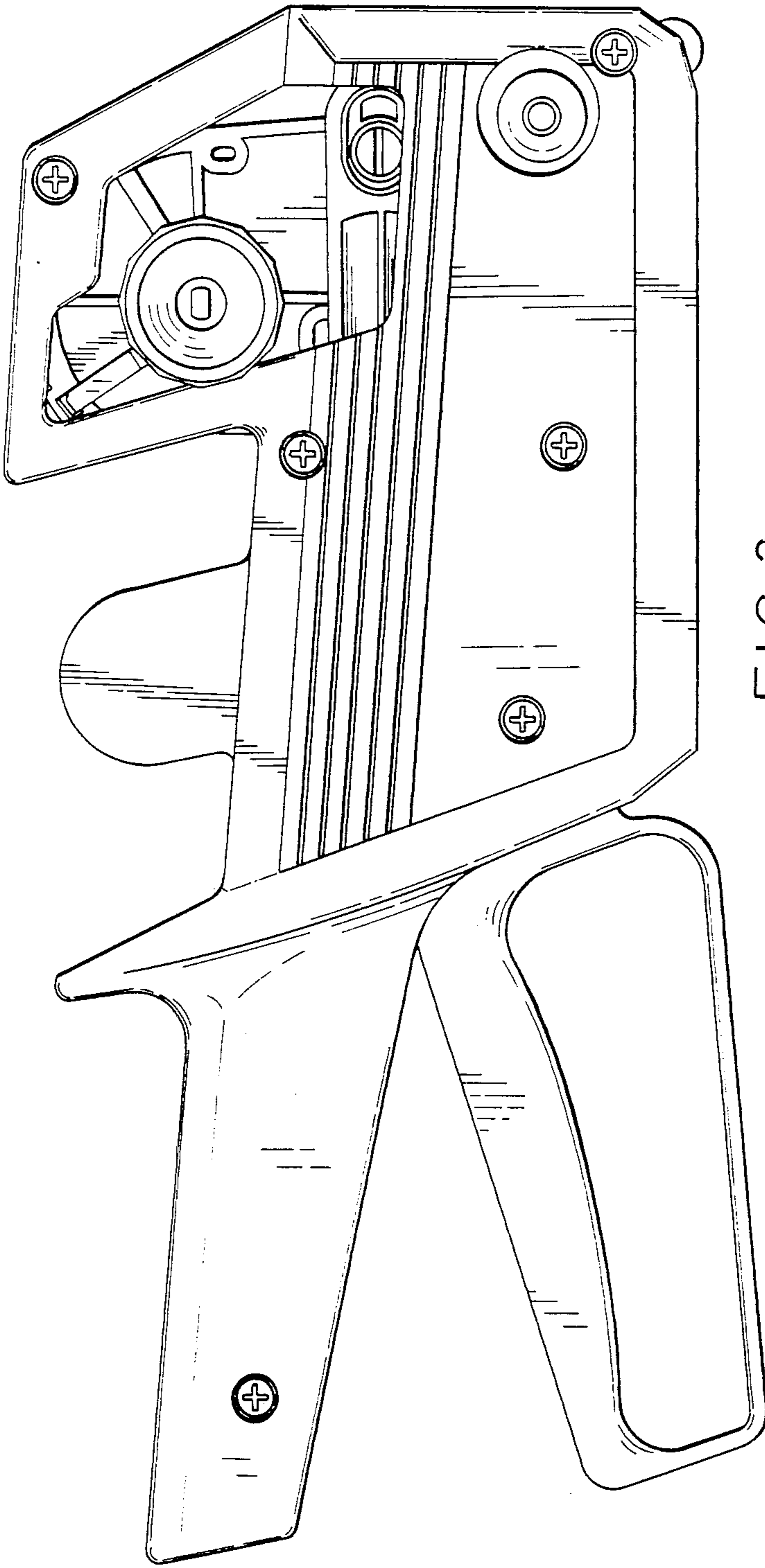


FIG. 2

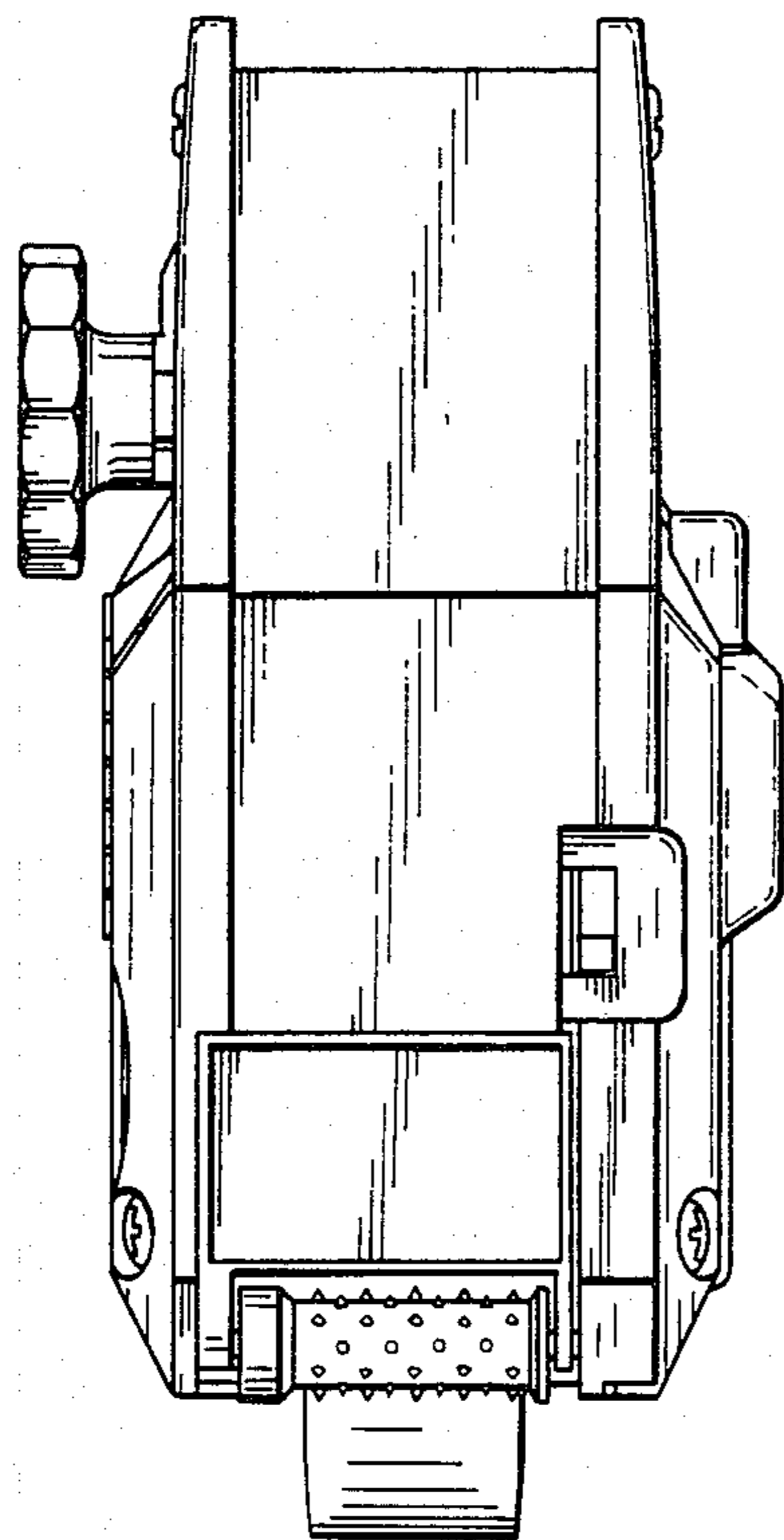


FIG. 3

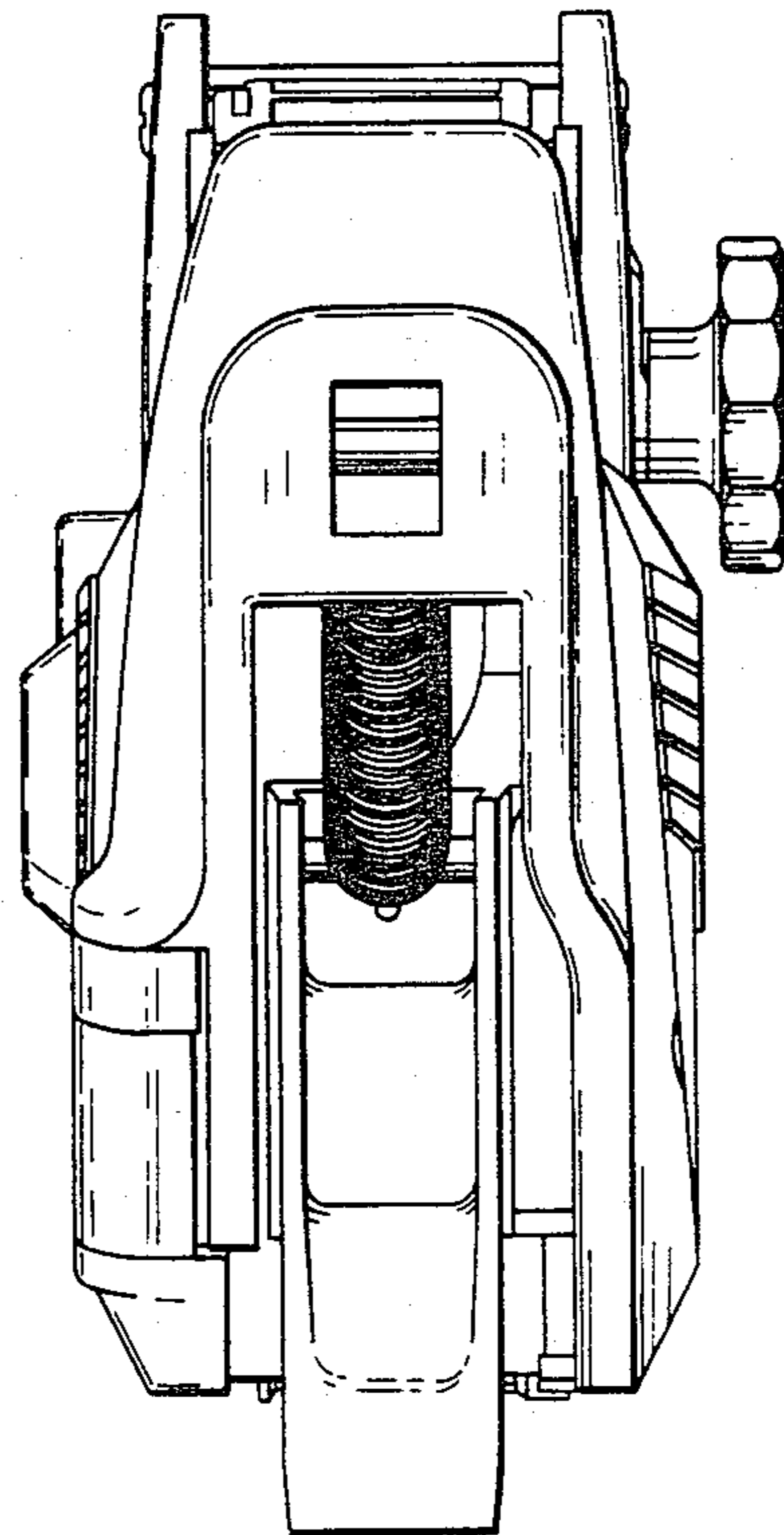


FIG. 4

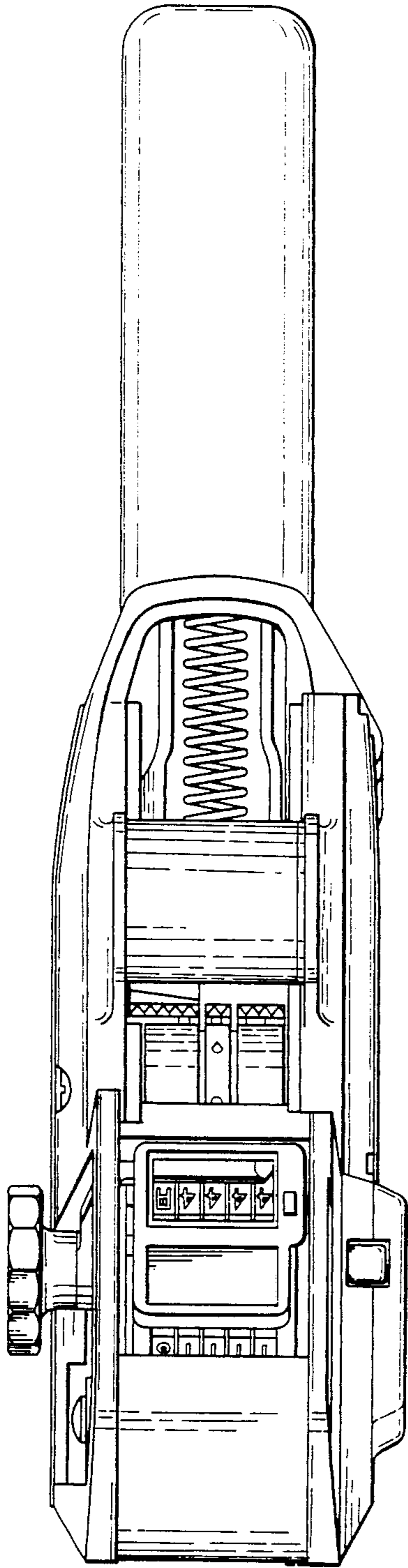


FIG. 6

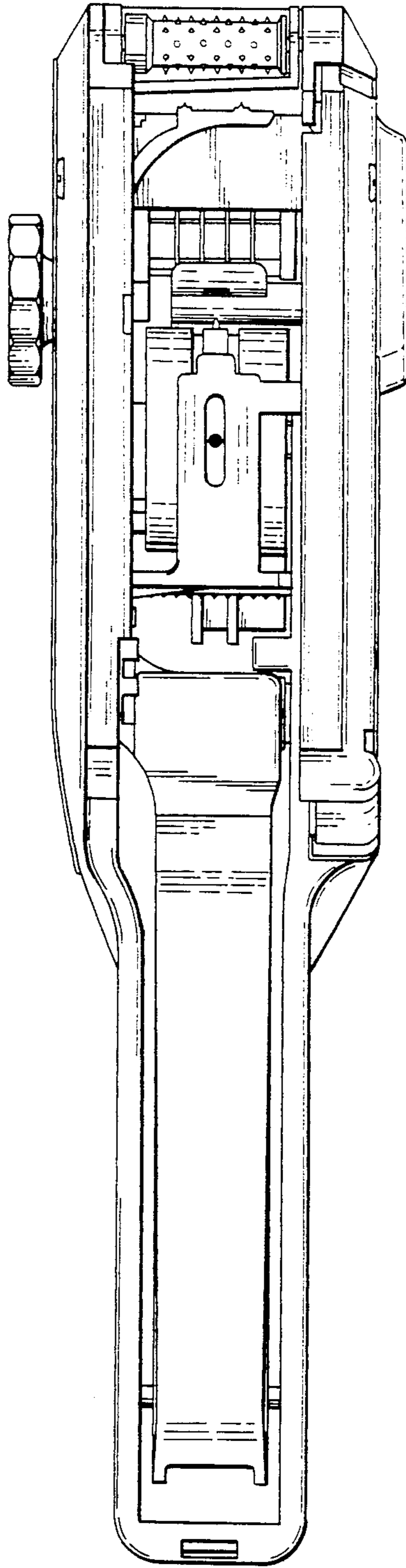


FIG. 5

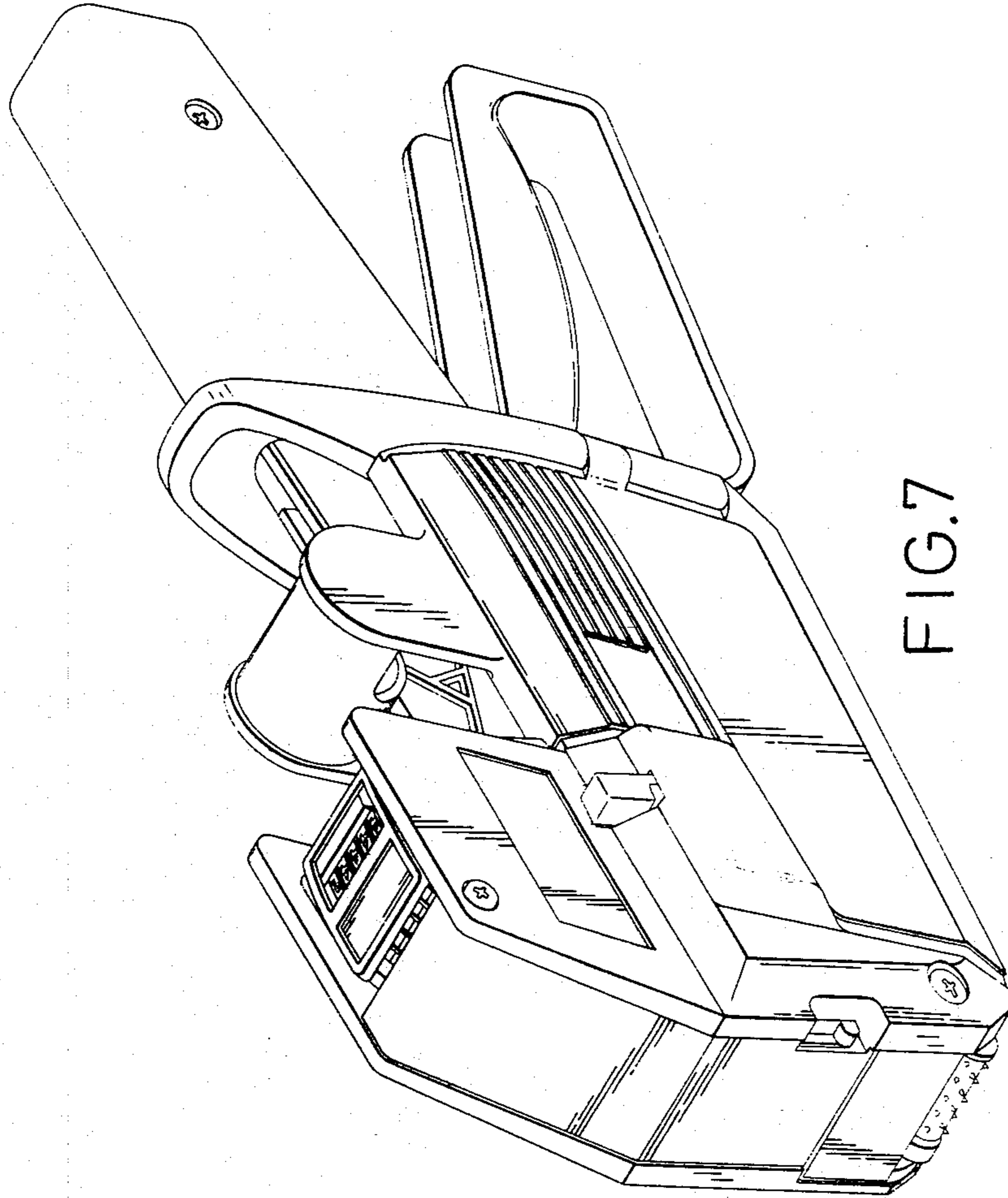


FIG. 7

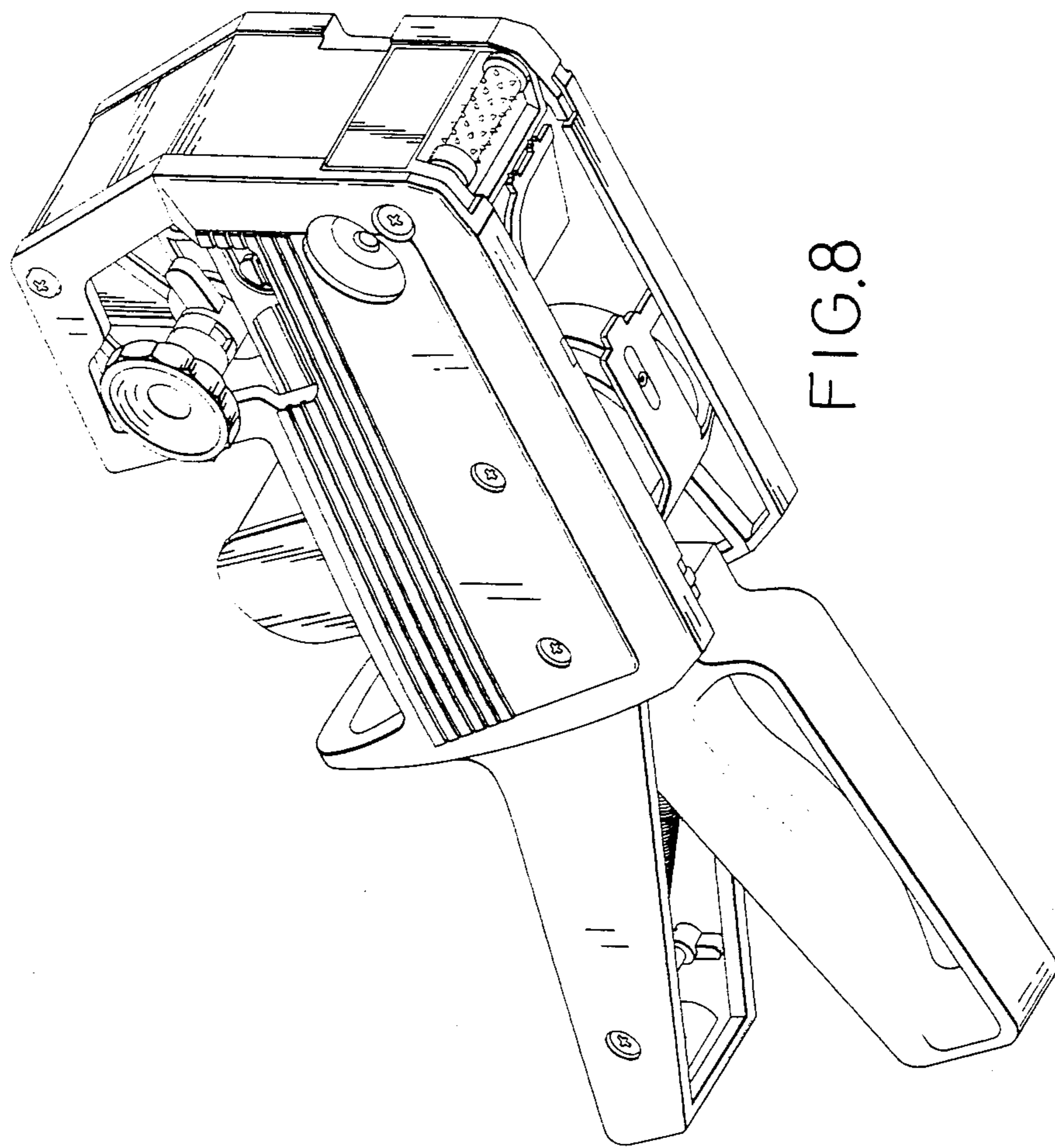


FIG. 8