

- [54] OVERLOCK STITCH SEWING MACHINE
- [75] Inventor: Yoshihide Yoneda, Hirakata, Japan
- [73] Assignee: Maruzen Sewing Machine Co., Ltd., Osaka, Japan
- [**] Term: 14 Years
- [21] Appl. No.: 426,072
- [22] Filed: Sep. 28, 1982
- [52] U.S. Cl. D15/69
- [58] Field of Search D15/66, 67, 68, 69, D15/70, 72, 76; 112/258, 259, 260

[56] References Cited

U.S. PATENT DOCUMENTS

D. 241,076	8/1976	Genaro et al.	D15/69
D. 243,686	3/1977	Ito	D15/68
D. 253,346	11/1979	Genaro et al.	D15/69
3,340,835	9/1967	Cook et al.	112/258
4,221,181	9/1980	Totino	112/260
4,441,443	4/1984	Hrovatin et al.	112/258

FOREIGN PATENT DOCUMENTS

175448	7/1953	Austria	112/258
--------	--------	---------------	---------

Primary Examiner—Bernard Ansher

Assistant Examiner—Linda Titolo
Attorney, Agent, or Firm—Lowe, King, Price & Becker

[57] CLAIM

The ornamental design for an overlock stitch sewing machine, as shown.

DESCRIPTION

FIG. 1 is a front elevational view of a first embodiment of an overlock stitch sewing machine showing my new design;

FIG. 2 is a rear elevational view thereof;

FIG. 3 is a top plan view thereof;

FIG. 4 is a bottom plan view thereof;

FIG. 5 is a right side elevational view thereof;

FIG. 6 is a left side elevational view thereof;

FIG. 7 is a front perspective view thereof with a handle member in an alternate position;

FIG. 8 is a front elevational view of a second embodiment of an overlock stitch sewing machine;

FIG. 9 is a rear elevational view thereof;

FIG. 10 is a top plan view thereof;

FIG. 11 is a bottom plan view thereof;

FIG. 12 is a right side elevational view thereof;

FIG. 13 is a left side elevational view thereof; and

FIG. 14 is a front perspective view thereof with a handle member in an alternate position.

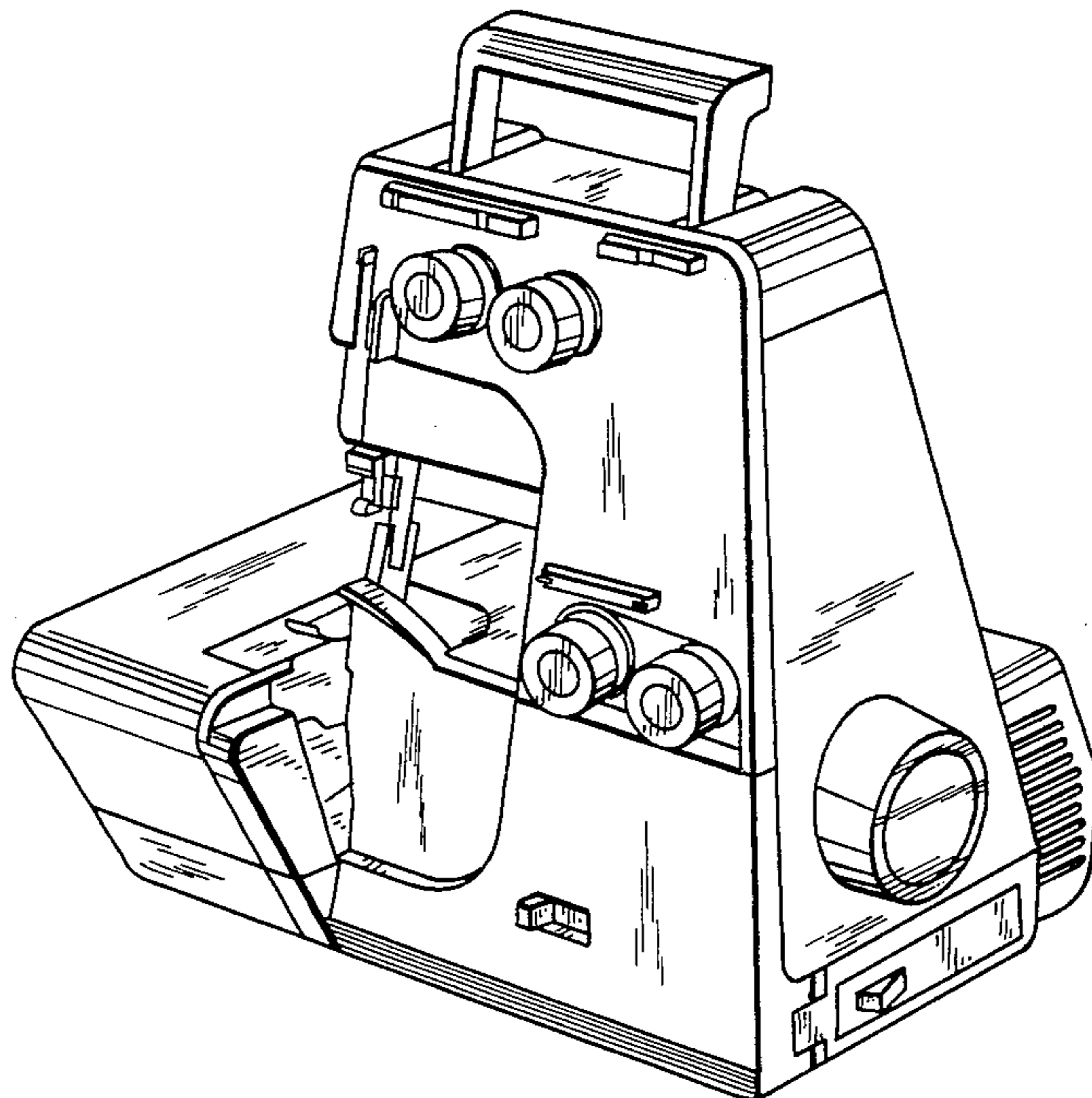


Fig. 1

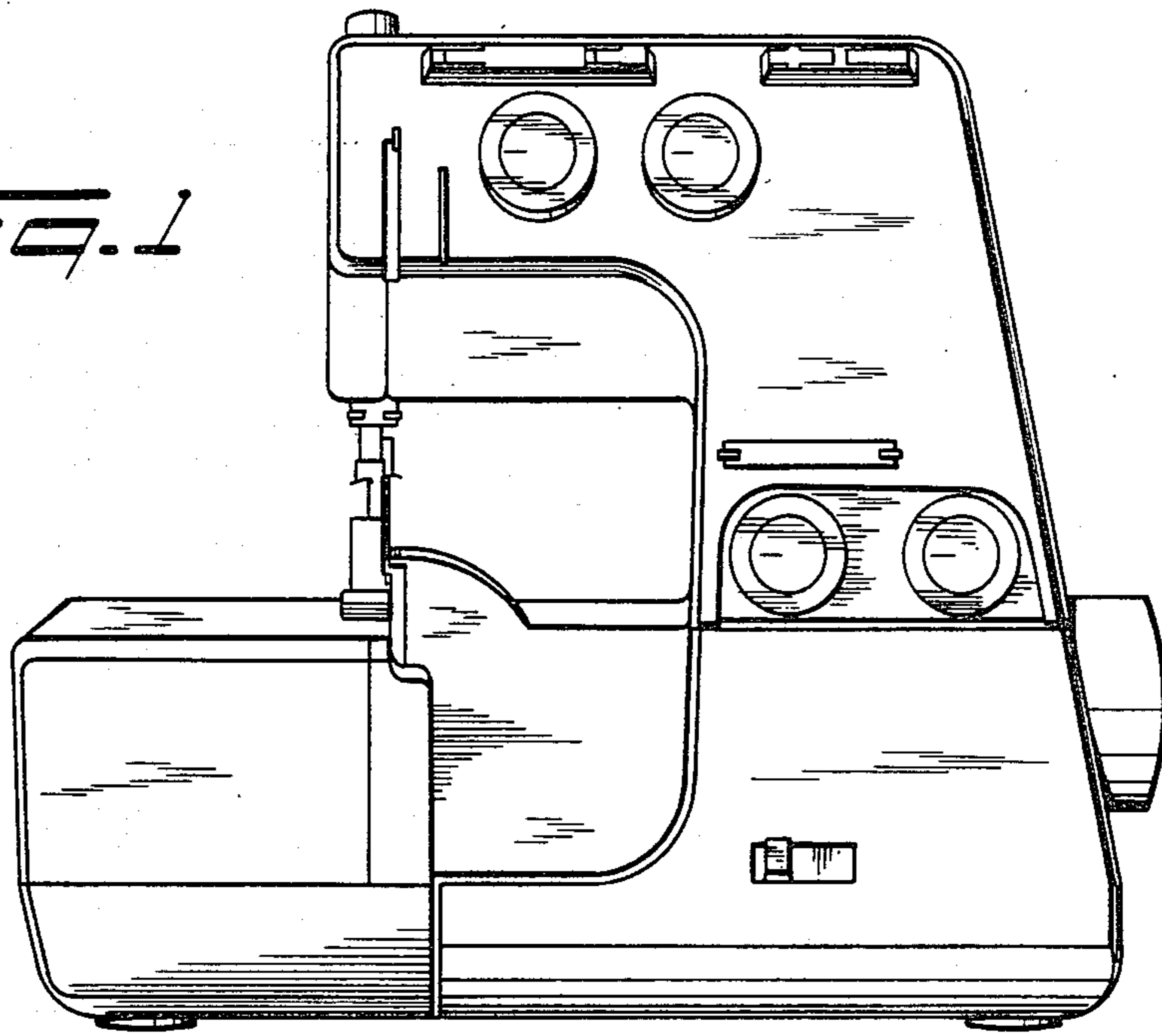


Fig. 2

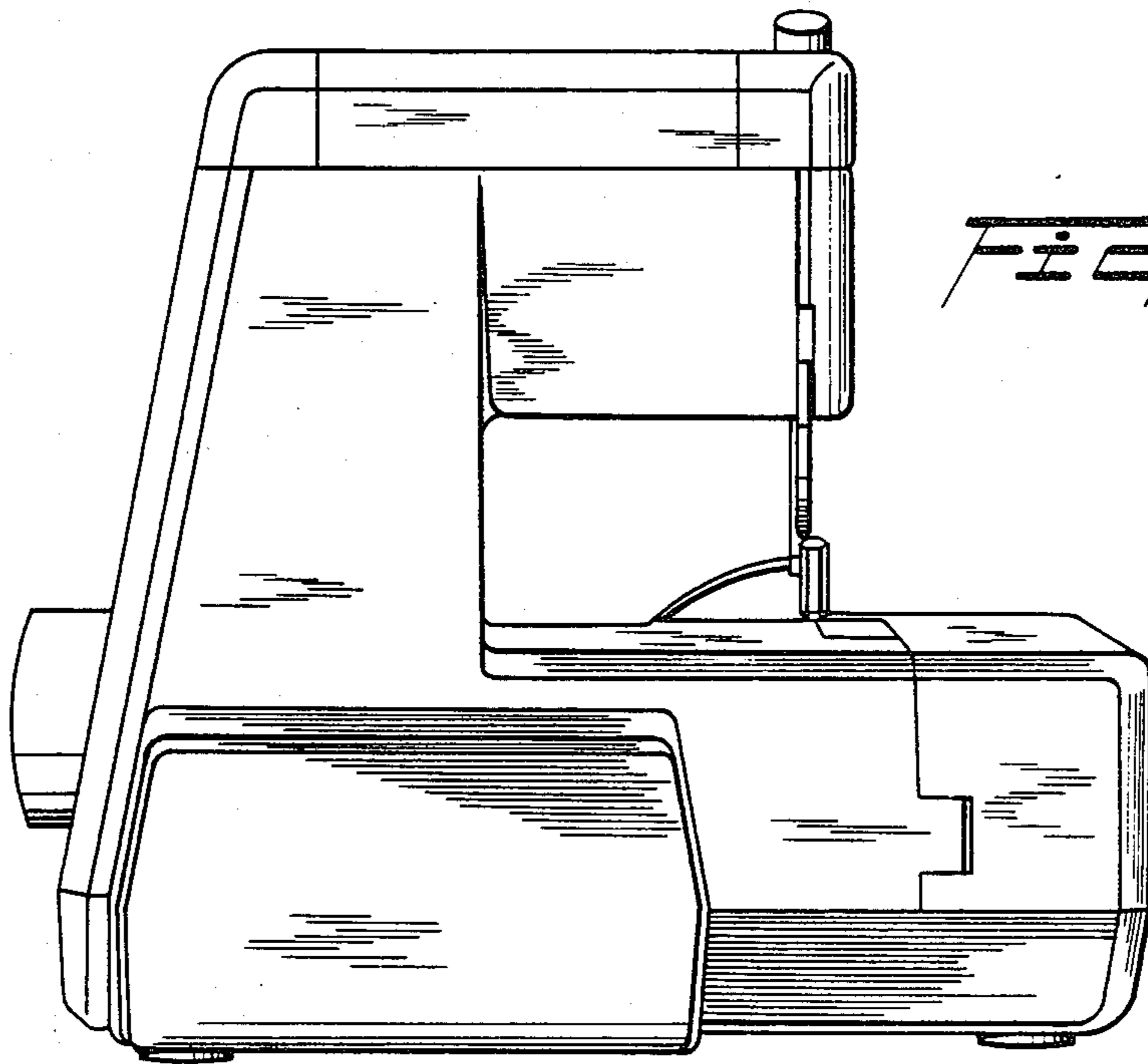


Fig. 3

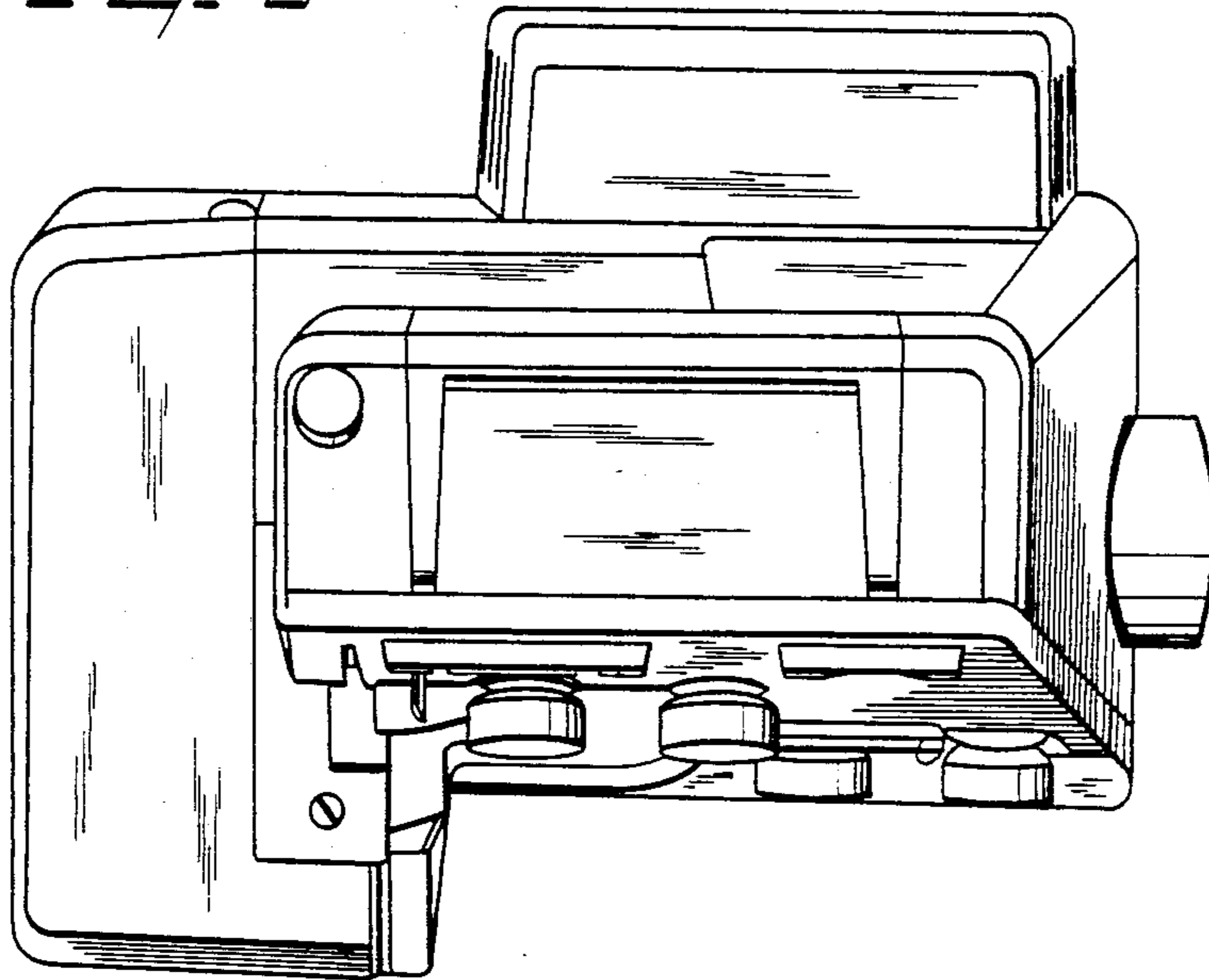


Fig. 4

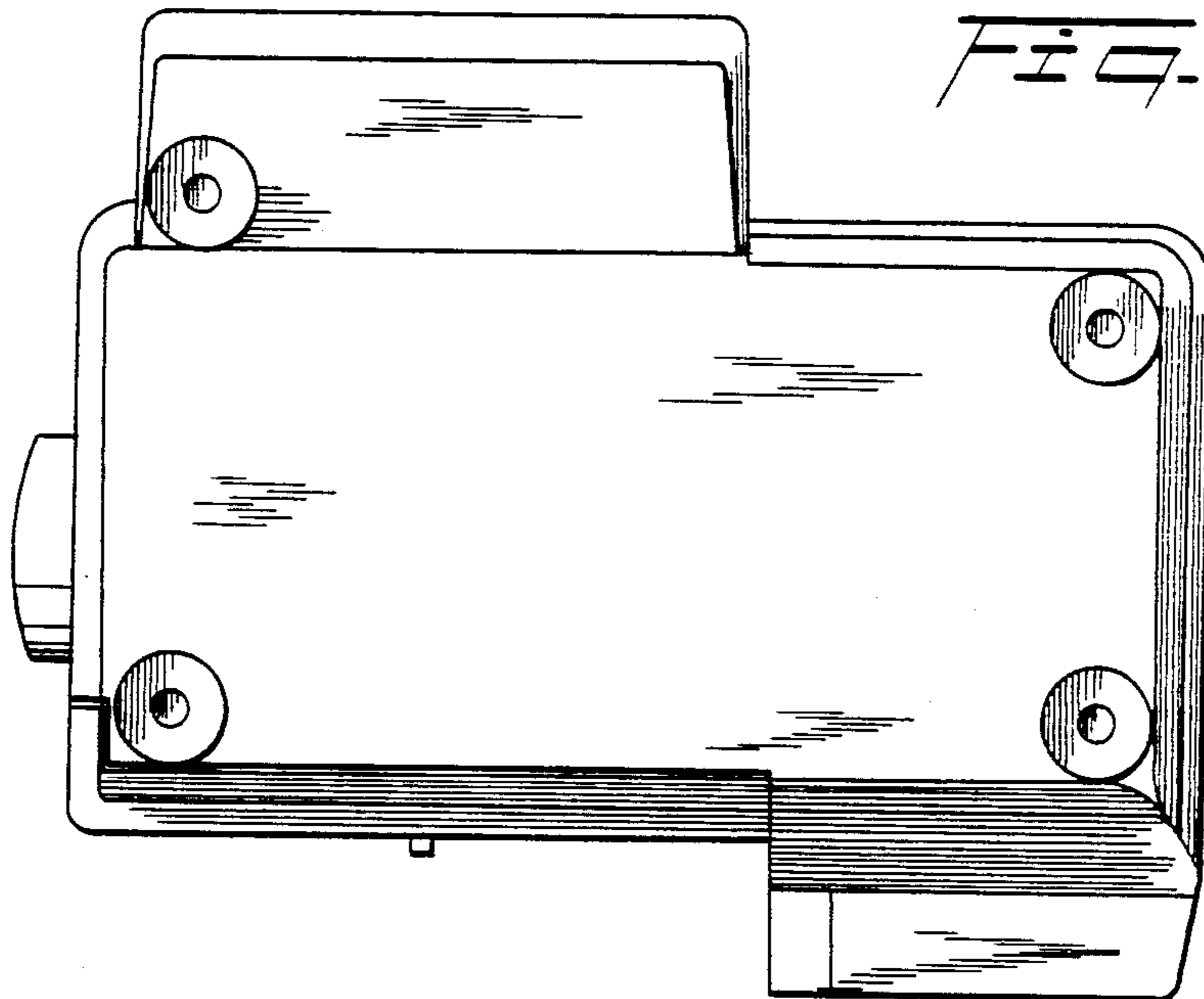


Fig. 5

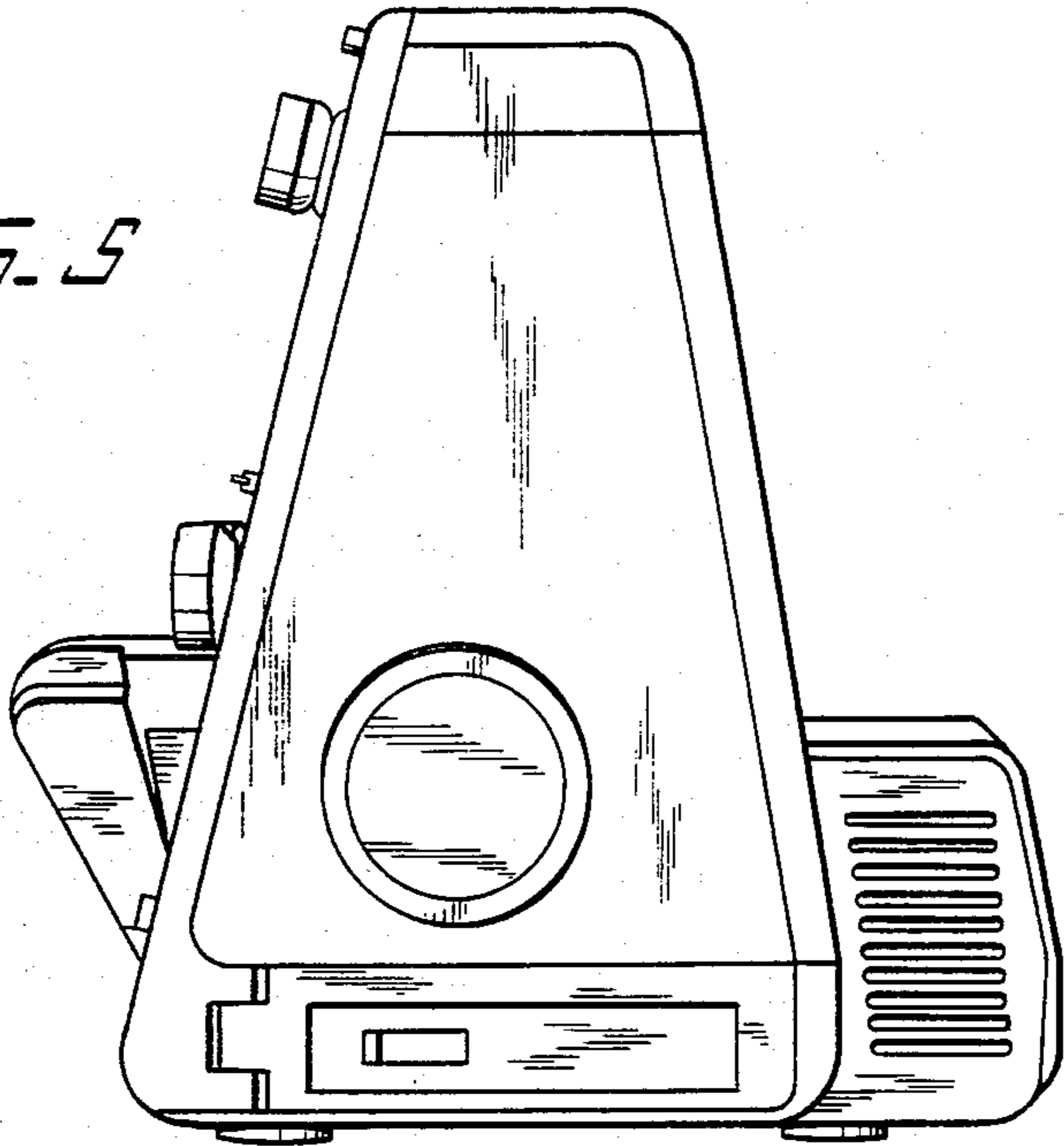


Fig. 6

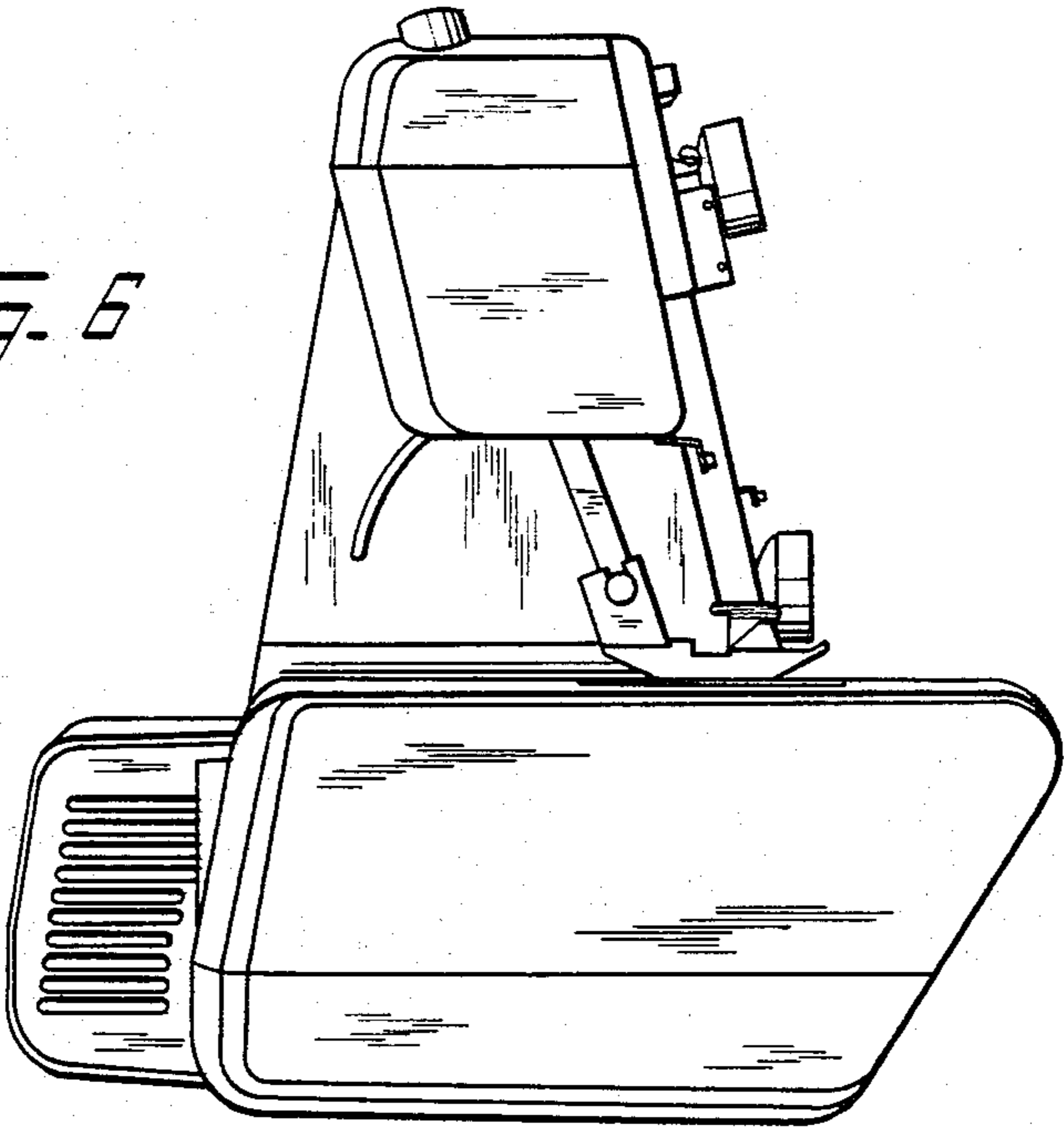


Fig. 7

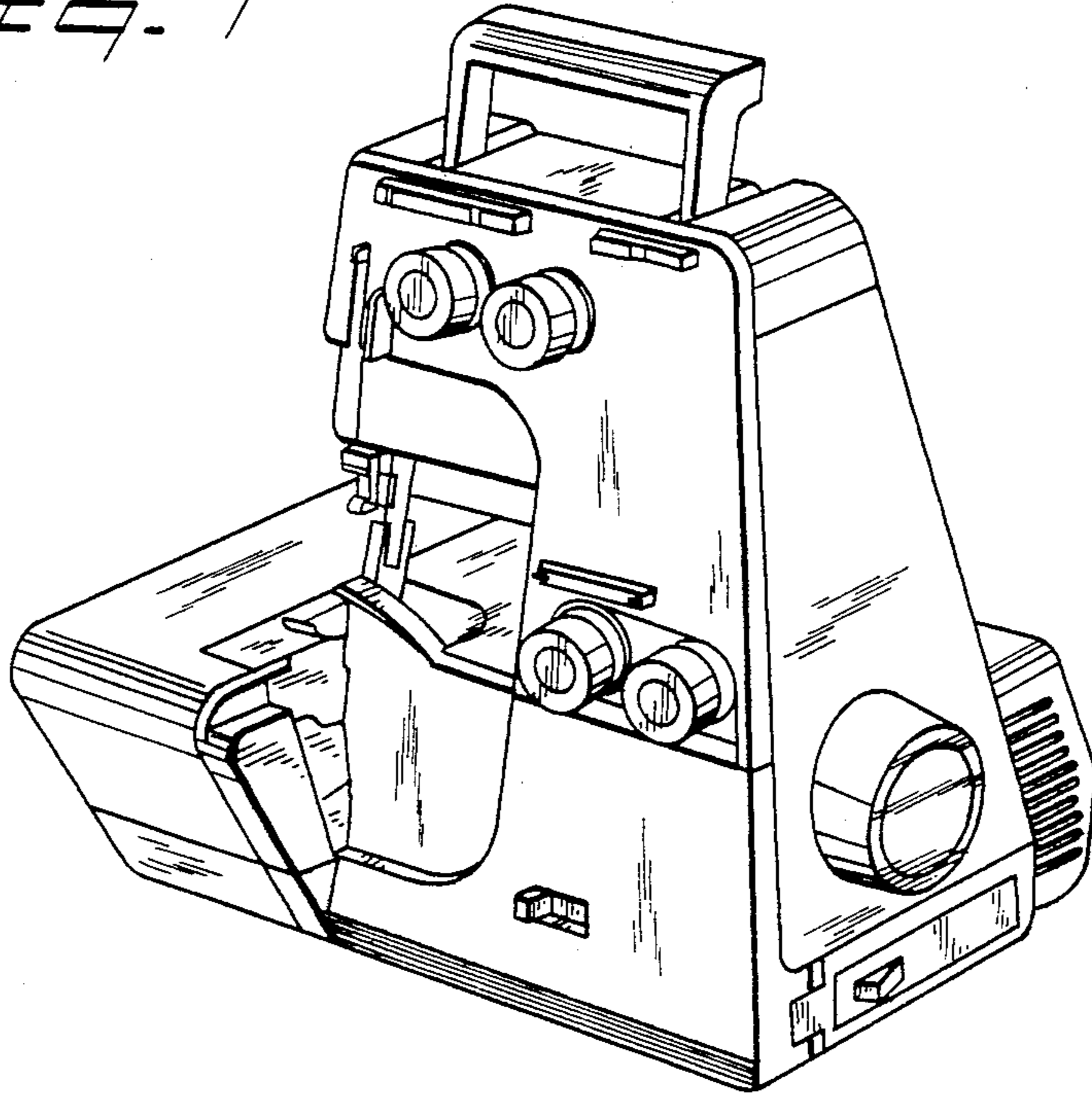


Fig. 8

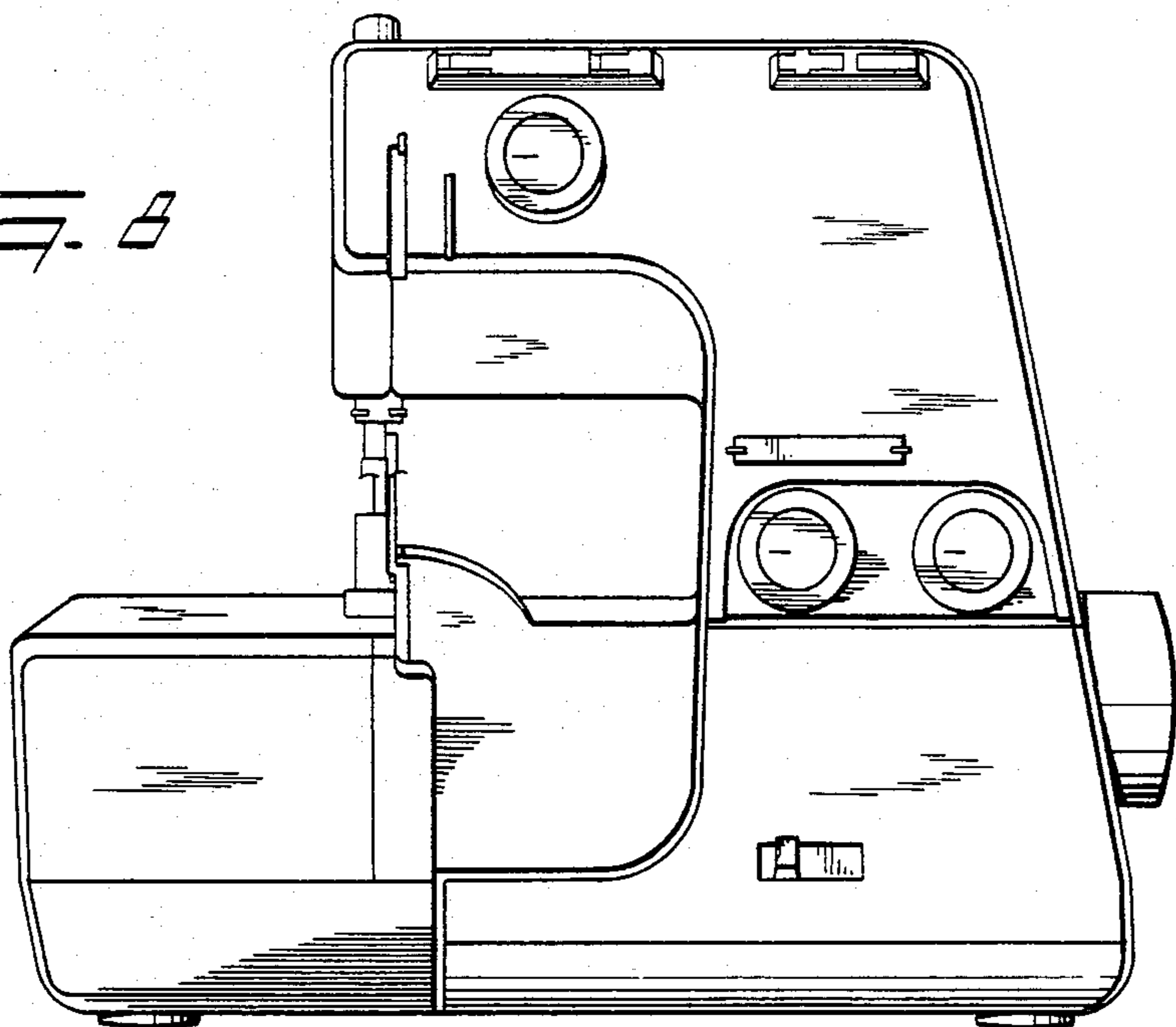


Fig. 9

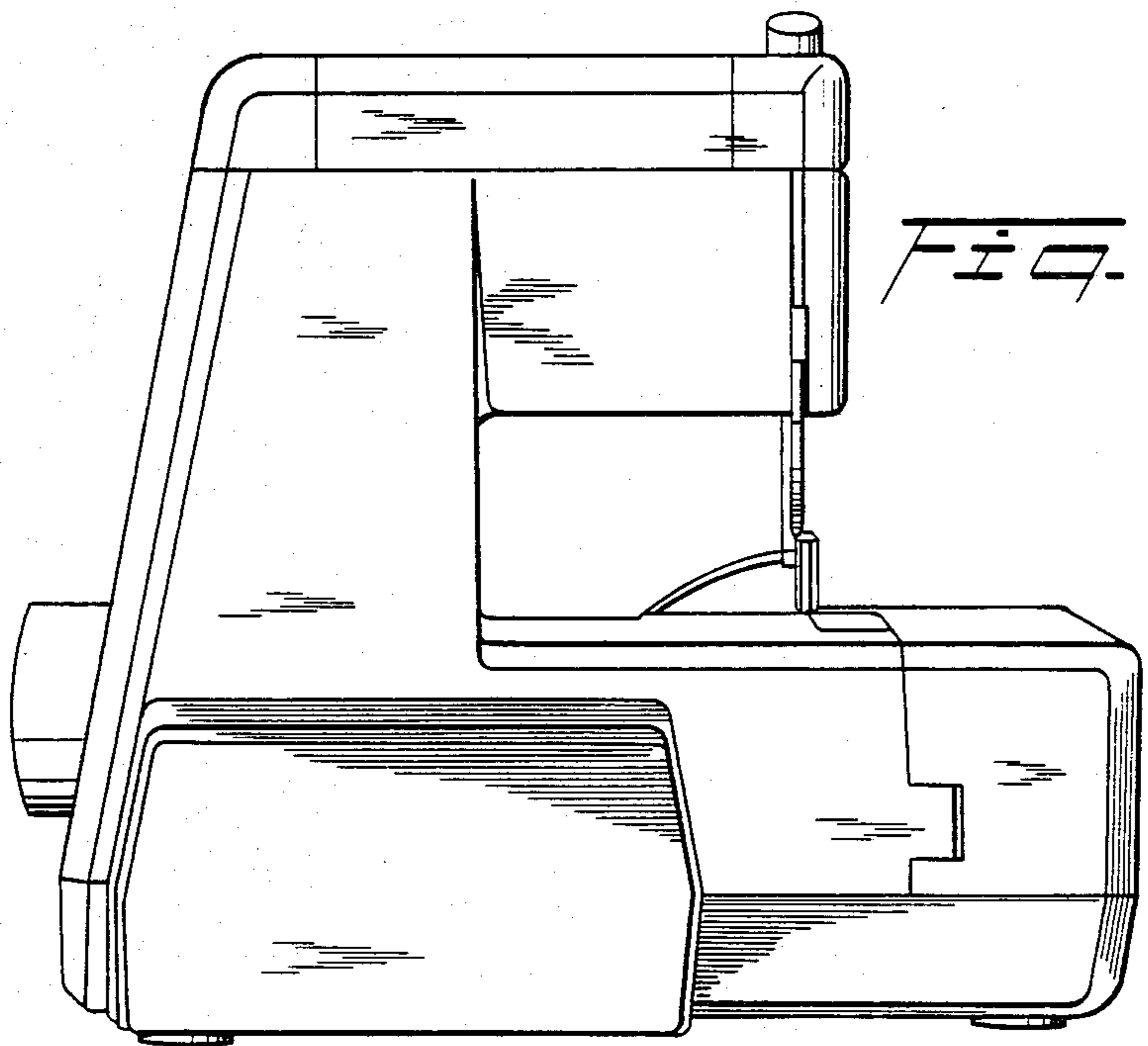


Fig. 10

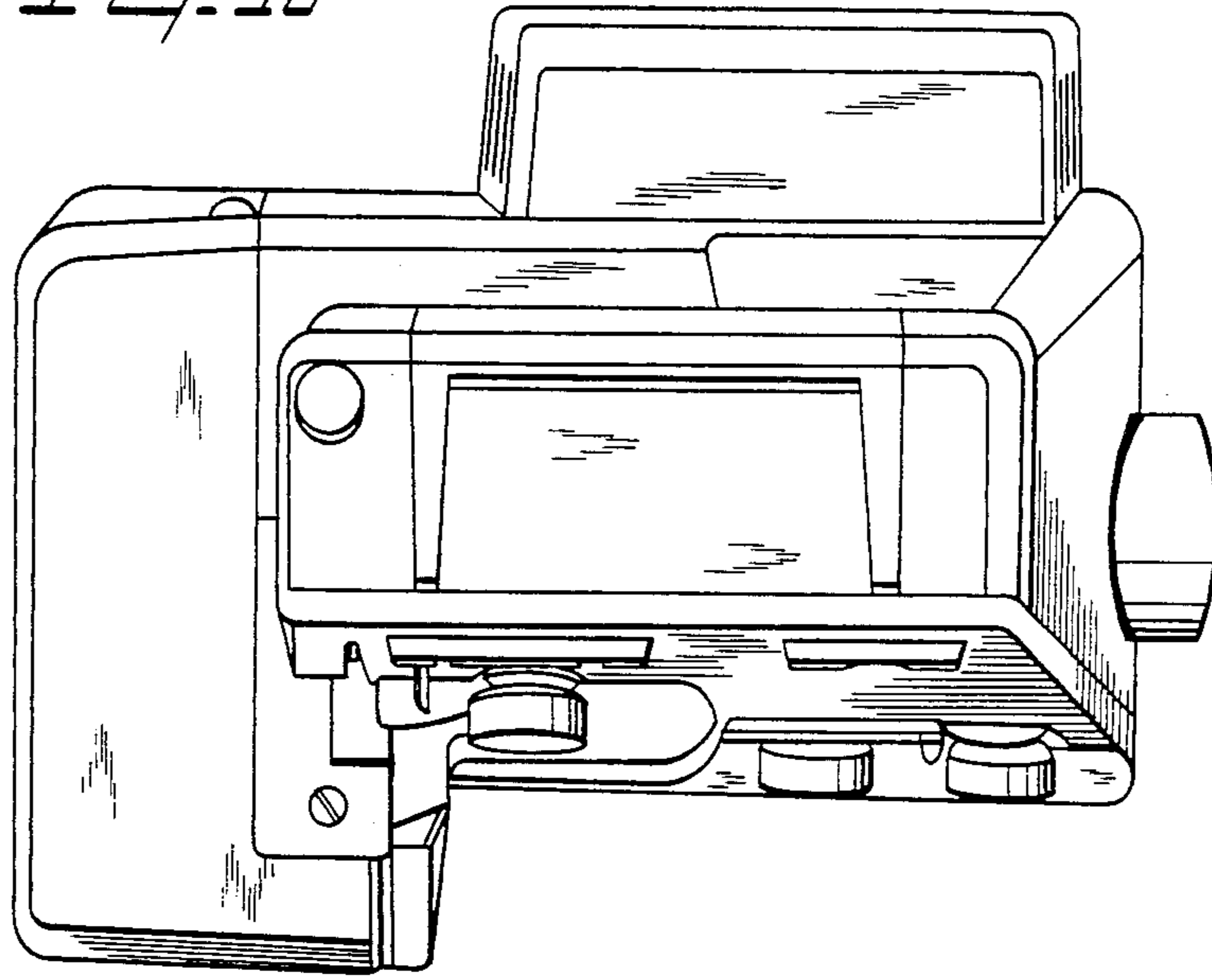


Fig. 11

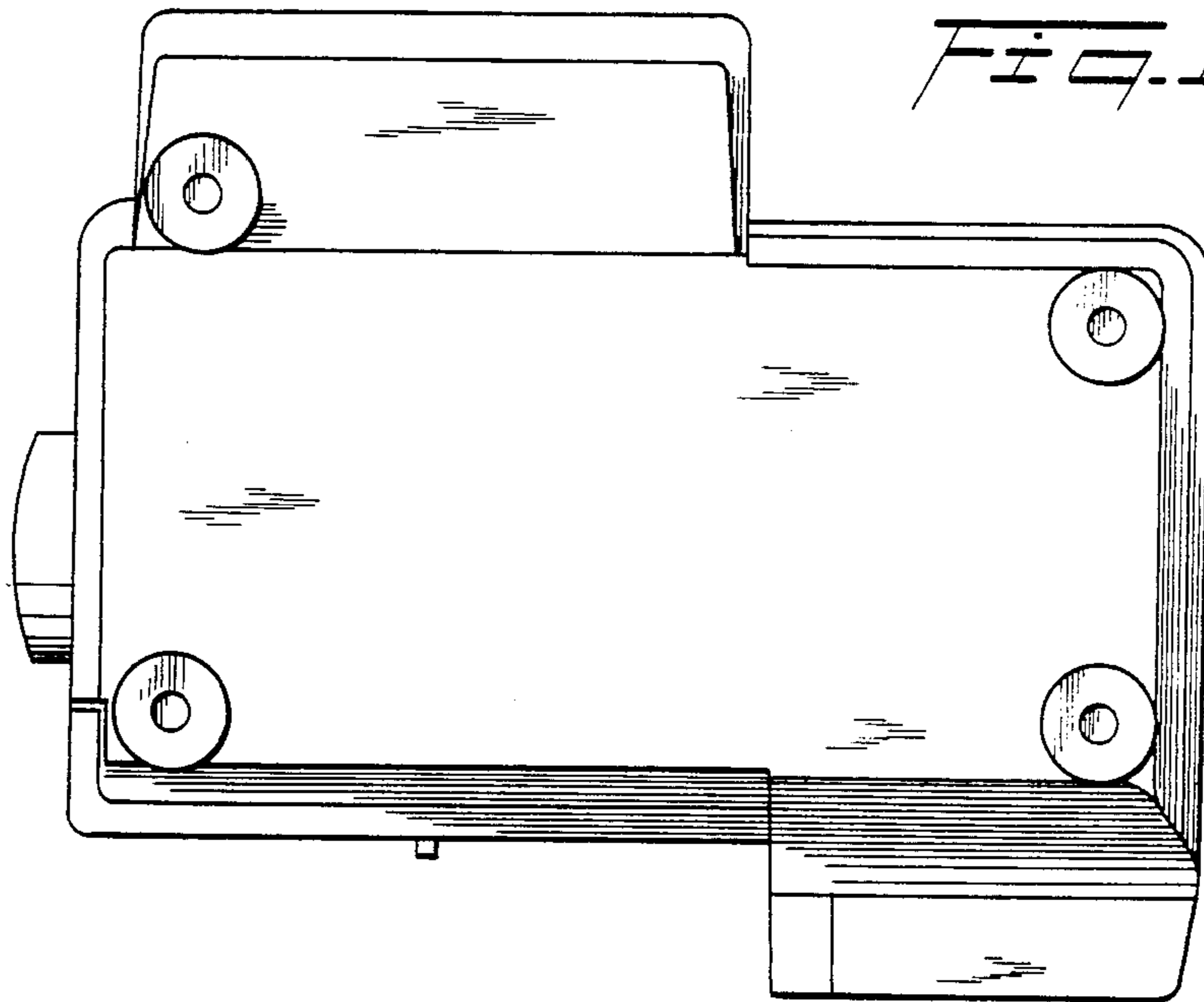


FIG. 12

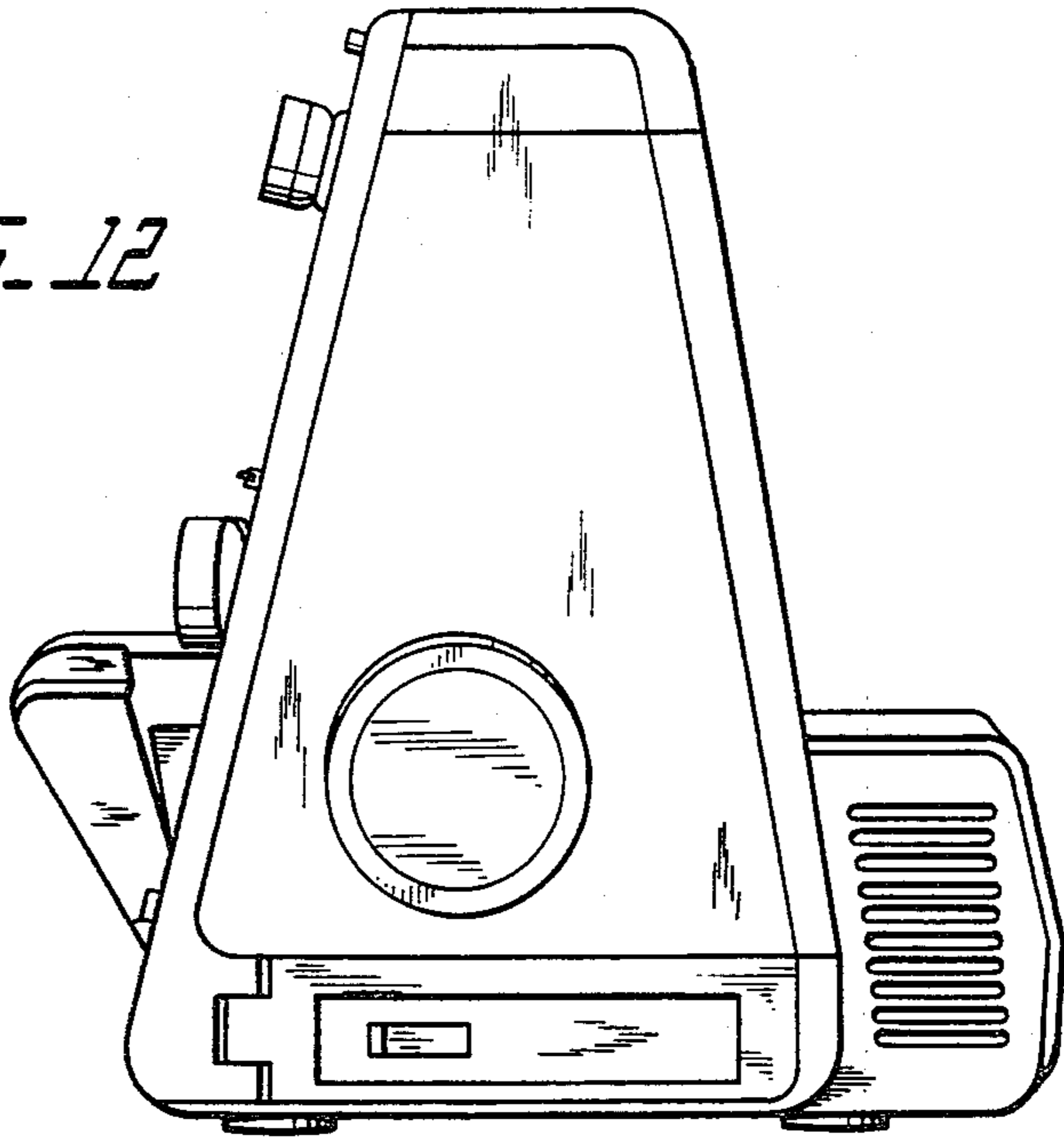


FIG. 13

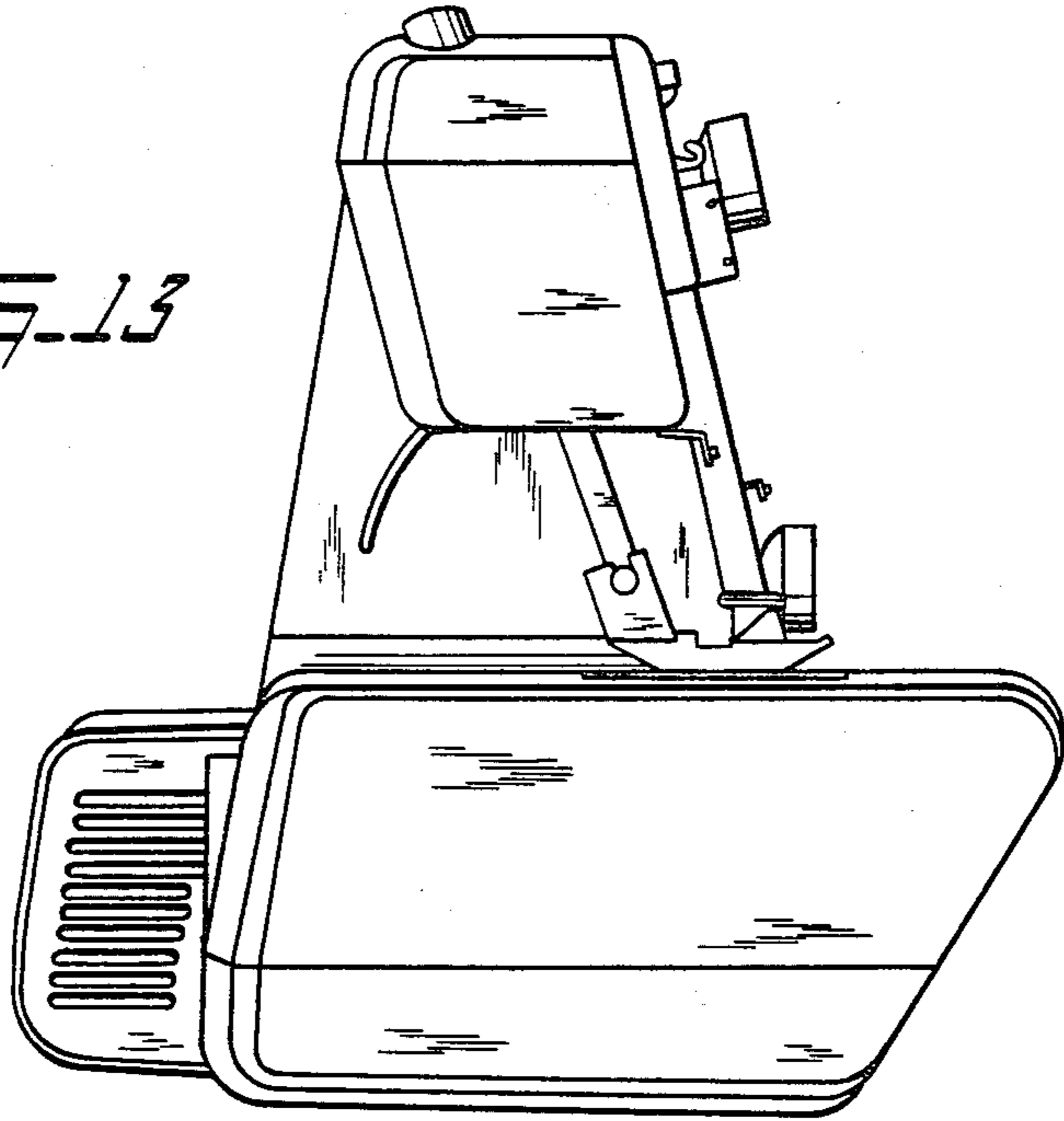


Fig. 14

