

[54] SELF-POWERED CURBING MACHINE

[76] Inventor: W. Harold Neal, 122 Dunwoody Dr.,
Carrollton, Ga. 30117

[**] Term: 14 Years

[21] Appl. No.: 481,895

[22] Filed: Apr. 4, 1983

[52] U.S. Cl. D15/22; D15/10

[58] Field of Search D15/10, 11, 12, 19;
404/96, 98

[56] References Cited

U.S. PATENT DOCUMENTS

3,218,944	11/1965	Larsen et al.	404/98
3,797,958	3/1974	Lafaro	404/98
3,915,584	10/1975	Coho, Jr. et al.	404/98
4,384,806	5/1983	Taylor, Jr.	404/98

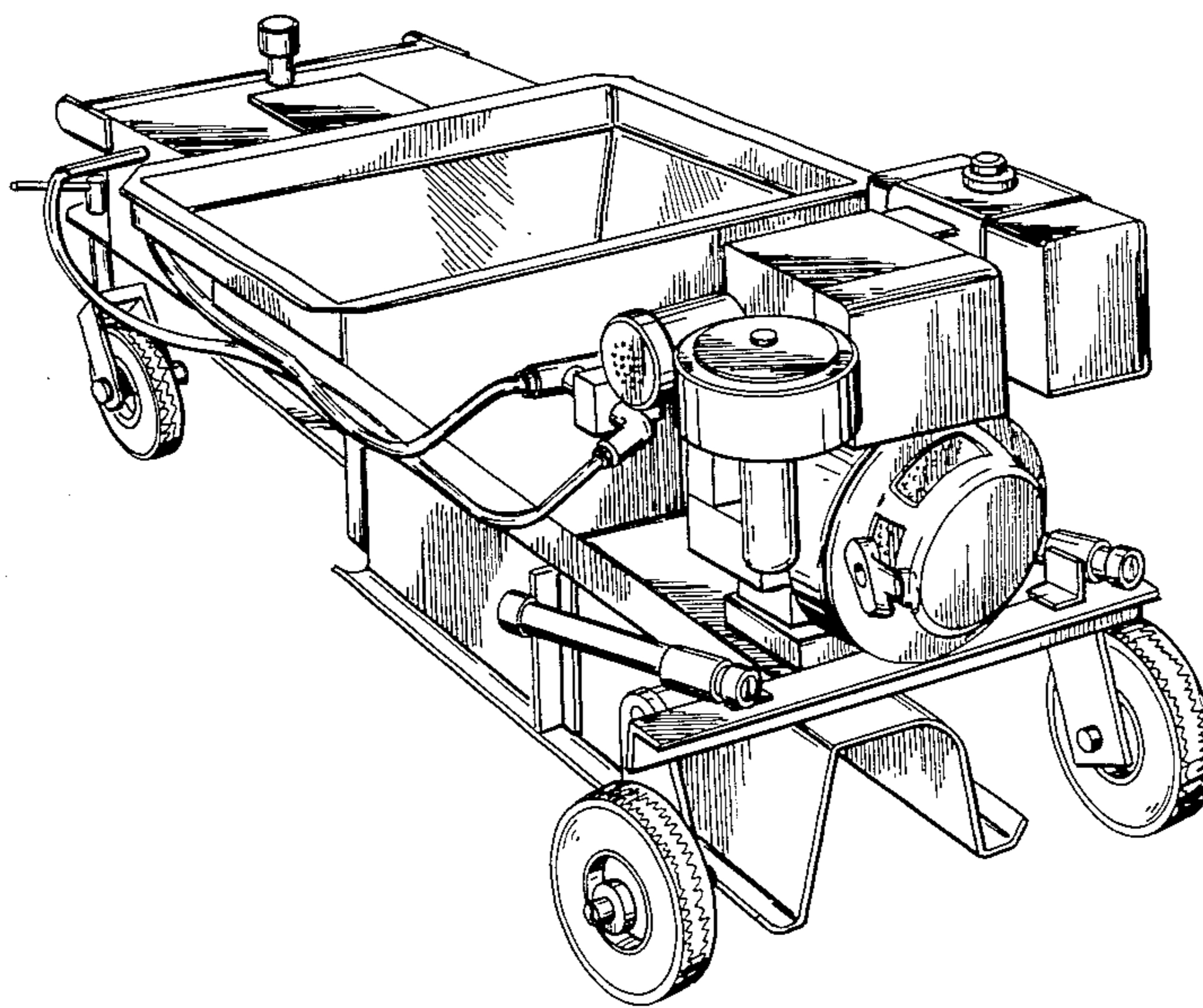
Primary Examiner—B. J. Bullock
Assistant Examiner—Suzanne N. Gitlin
Attorney, Agent, or Firm—Jones & Askew

[57] CLAIM

The ornamental design for a self-powered curbing machine, substantially as shown.

DESCRIPTION

FIG. 1 is an enlarged perspective view of a self-powered curbing machine showing my new design;
FIG. 2 is a side elevational view taken from the left of FIG. 1;
FIG. 3 is a rear elevational view thereof;
FIG. 4 is a front elevational view thereof;
FIG. 5 is a top plan view thereof;
FIG. 6 is a bottom plan view thereof;
FIG. 7 is a side elevational view taken from the right of FIG. 1.



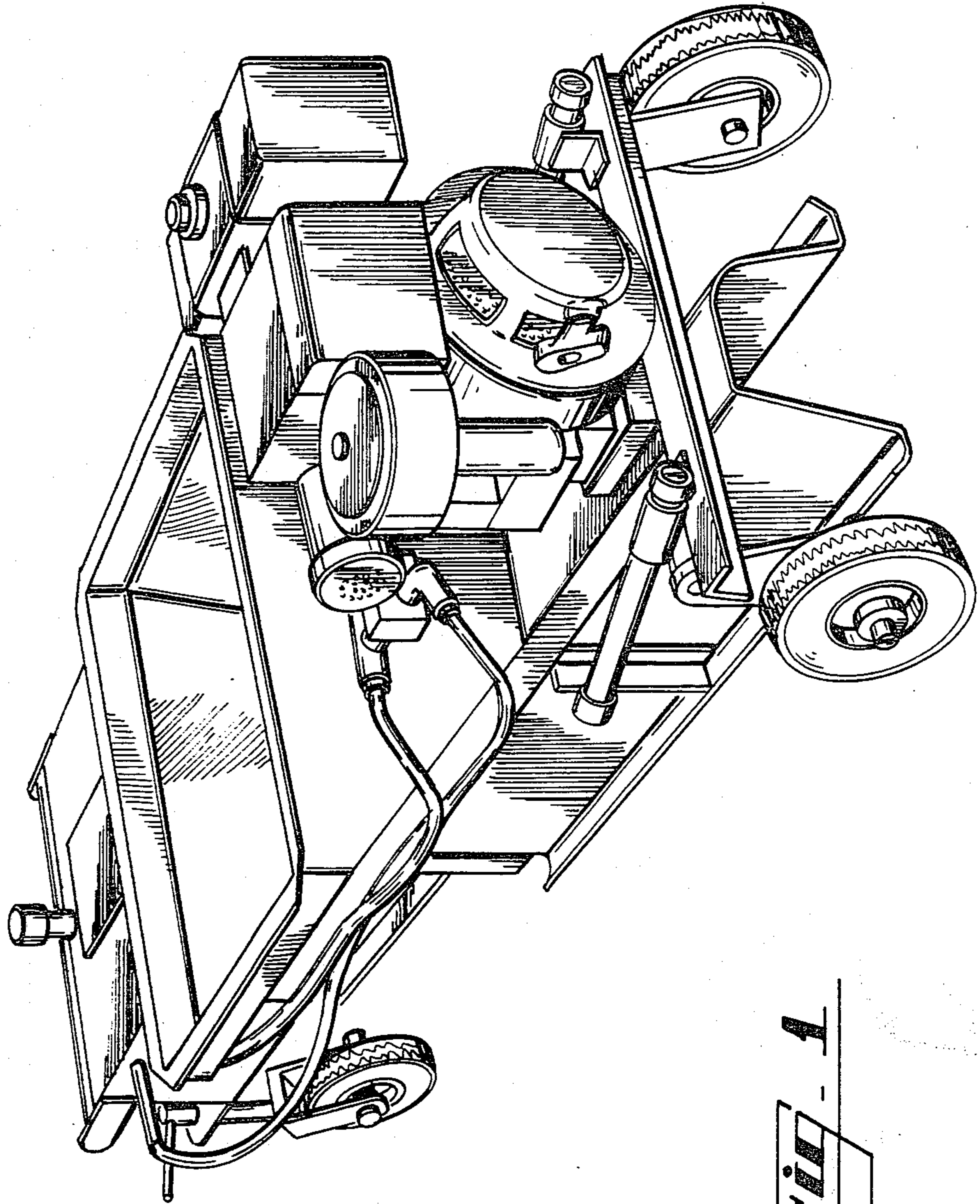


FIG. 1

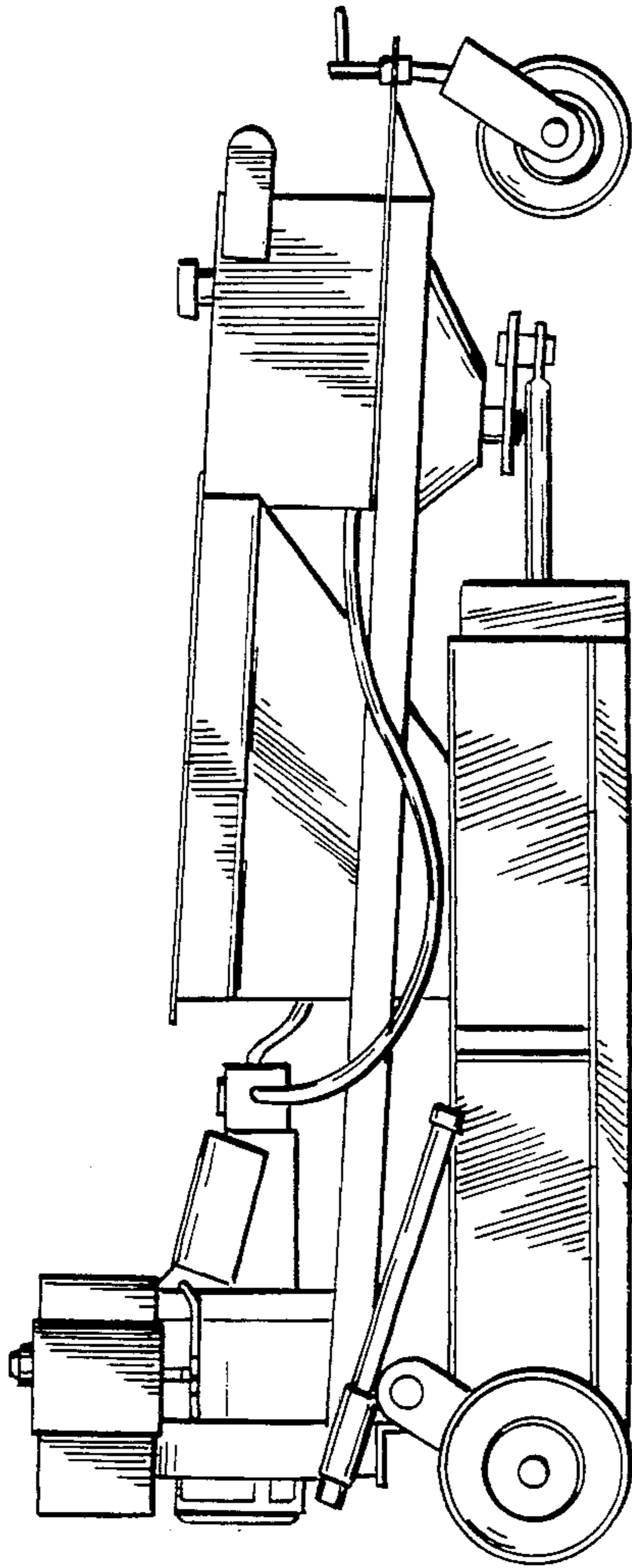


Fig. 2

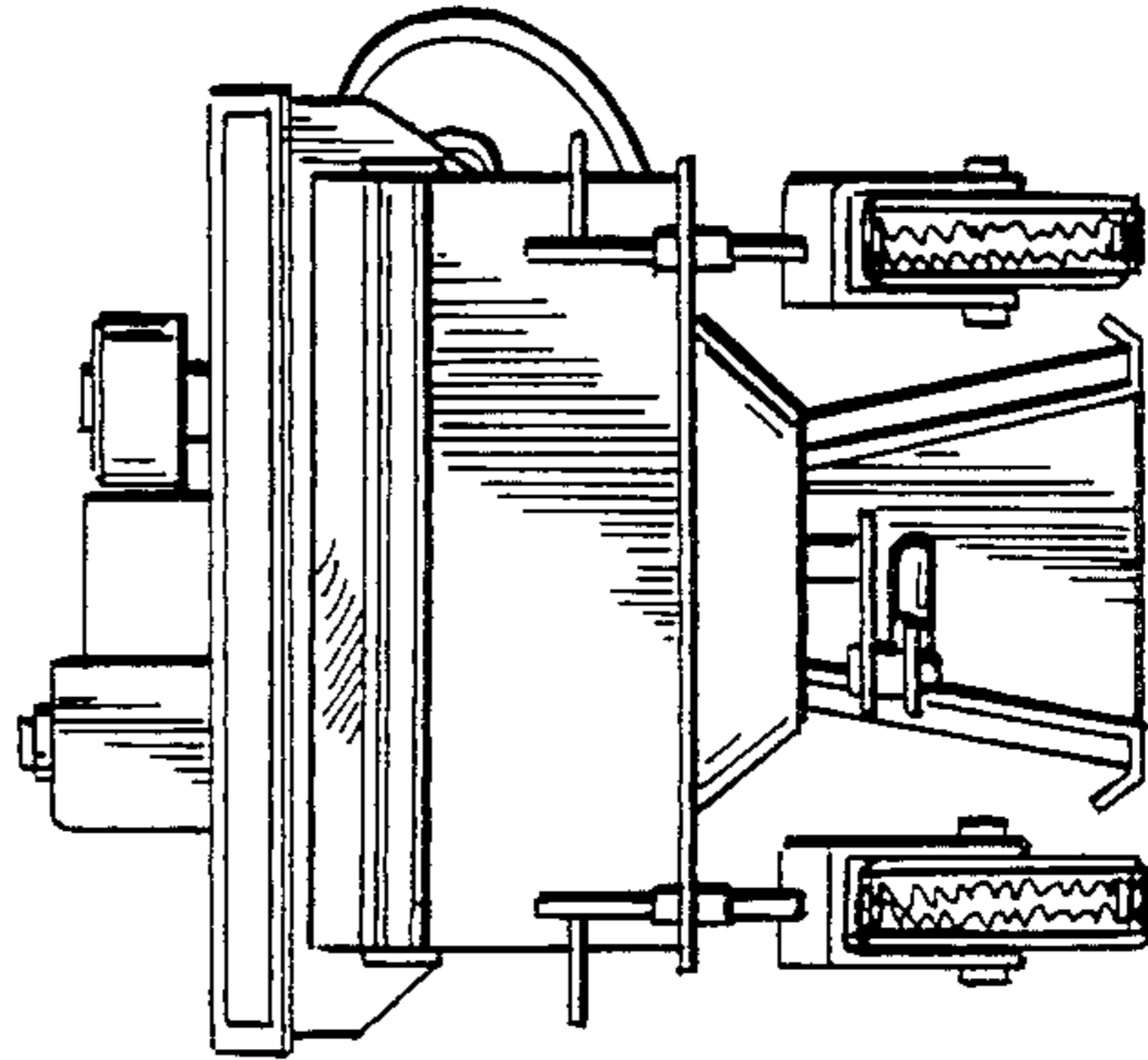


Fig. 4

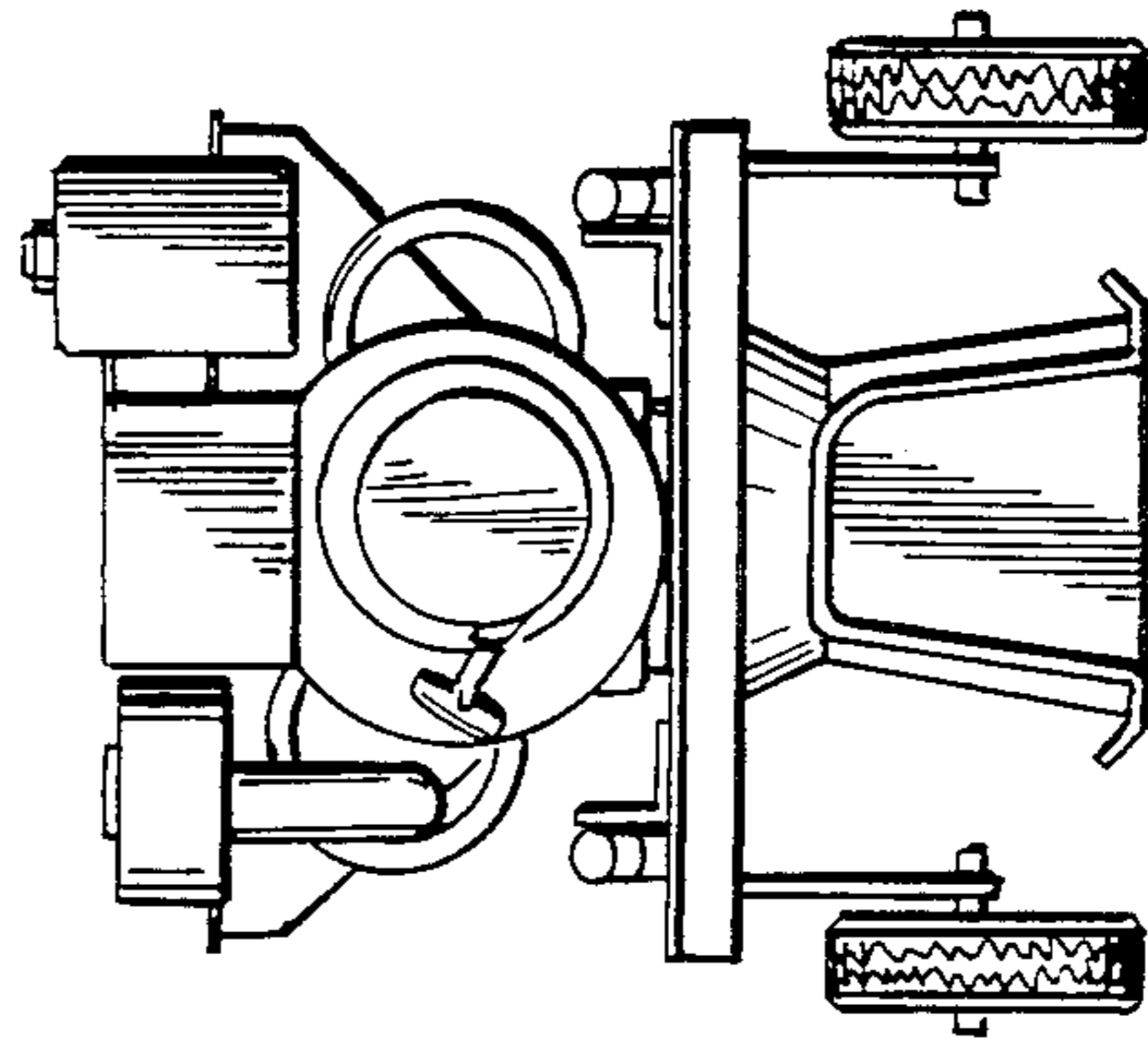


Fig. 3

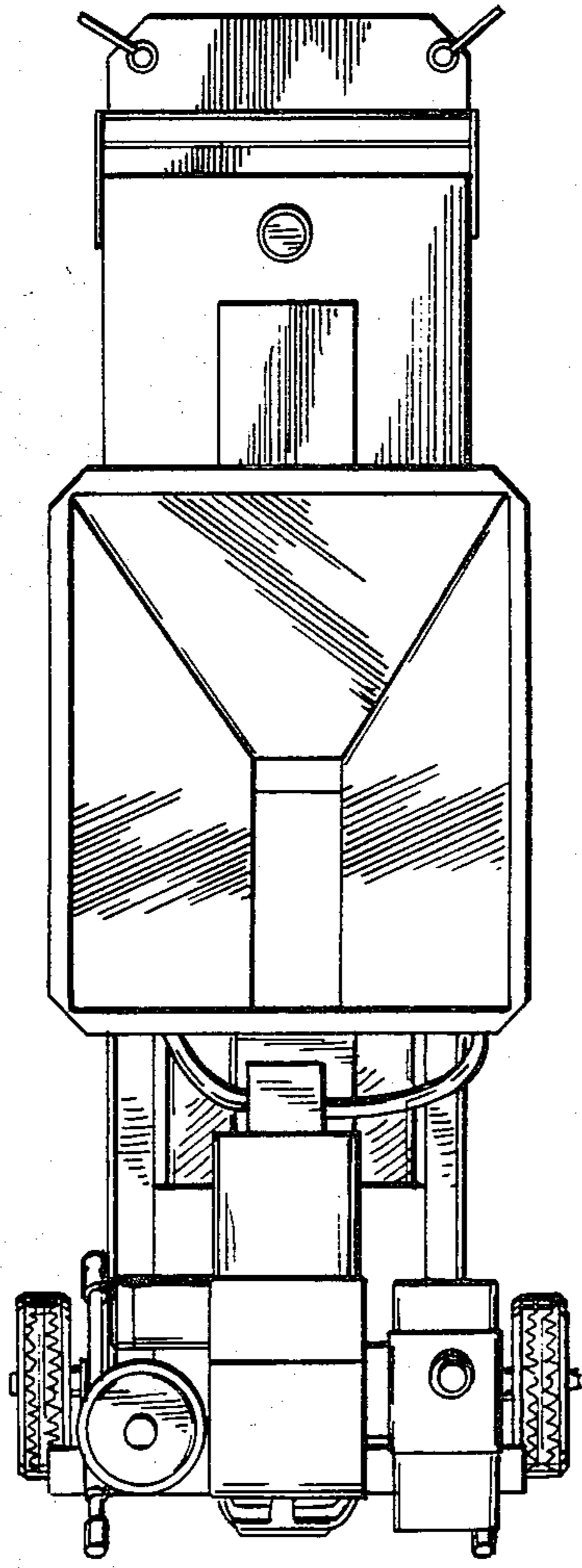


FIG- 5

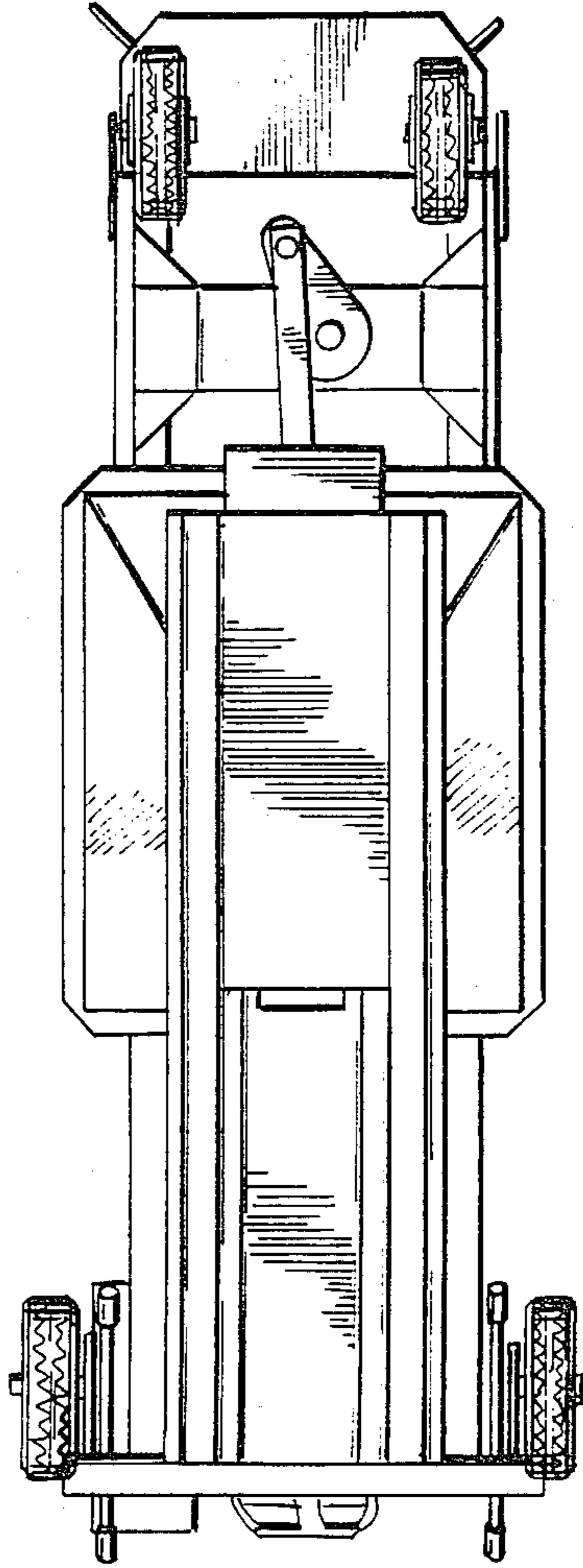


FIG- 6

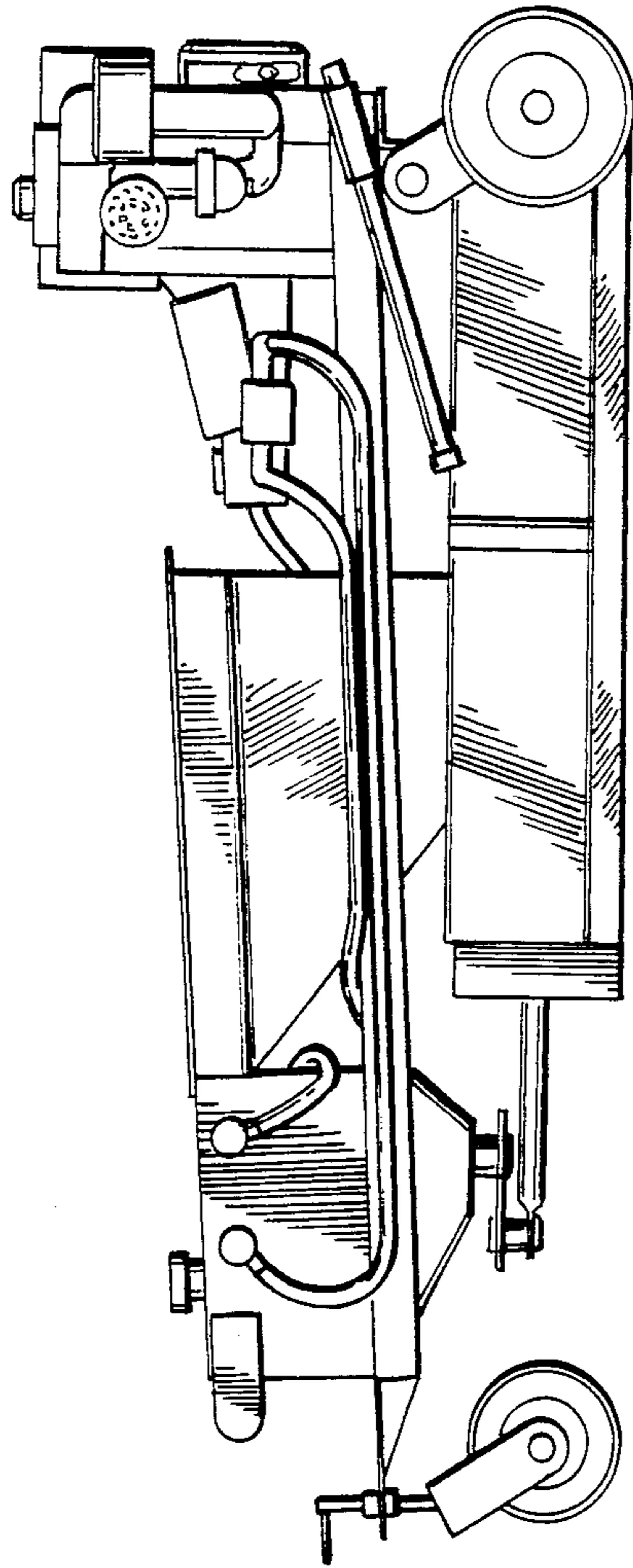


FIG. 7