

[54] **PAGE PLANNING TABLE WITH DISPLAY MONITOR**

[75] **Inventor: Michael B. Woodhall, Slough, England**

[73] **Assignee: Crosfield Electronics Limited, London, England**

[**] **Term: 14 Years**

[21] **Appl. No.: 446,686**

[22] **Filed: Dec. 3, 1982**

[30] **Foreign Application Priority Data**

Jun. 4, 1982 [GB] United Kingdom 1007106
[52] **U.S. Cl.** **D14/103**
[58] **Field of Search** D14/100-116,
D14/77, 80-84; 340/700, 706, 707, 708, 719;
387/57

[56] **References Cited**

U.S. PATENT DOCUMENTS

D. 192,920 5/1962 Beals D14/103
D. 208,980 10/1967 Dykmans et al. D14/103
D. 211,023 5/1968 Grossman D14/77

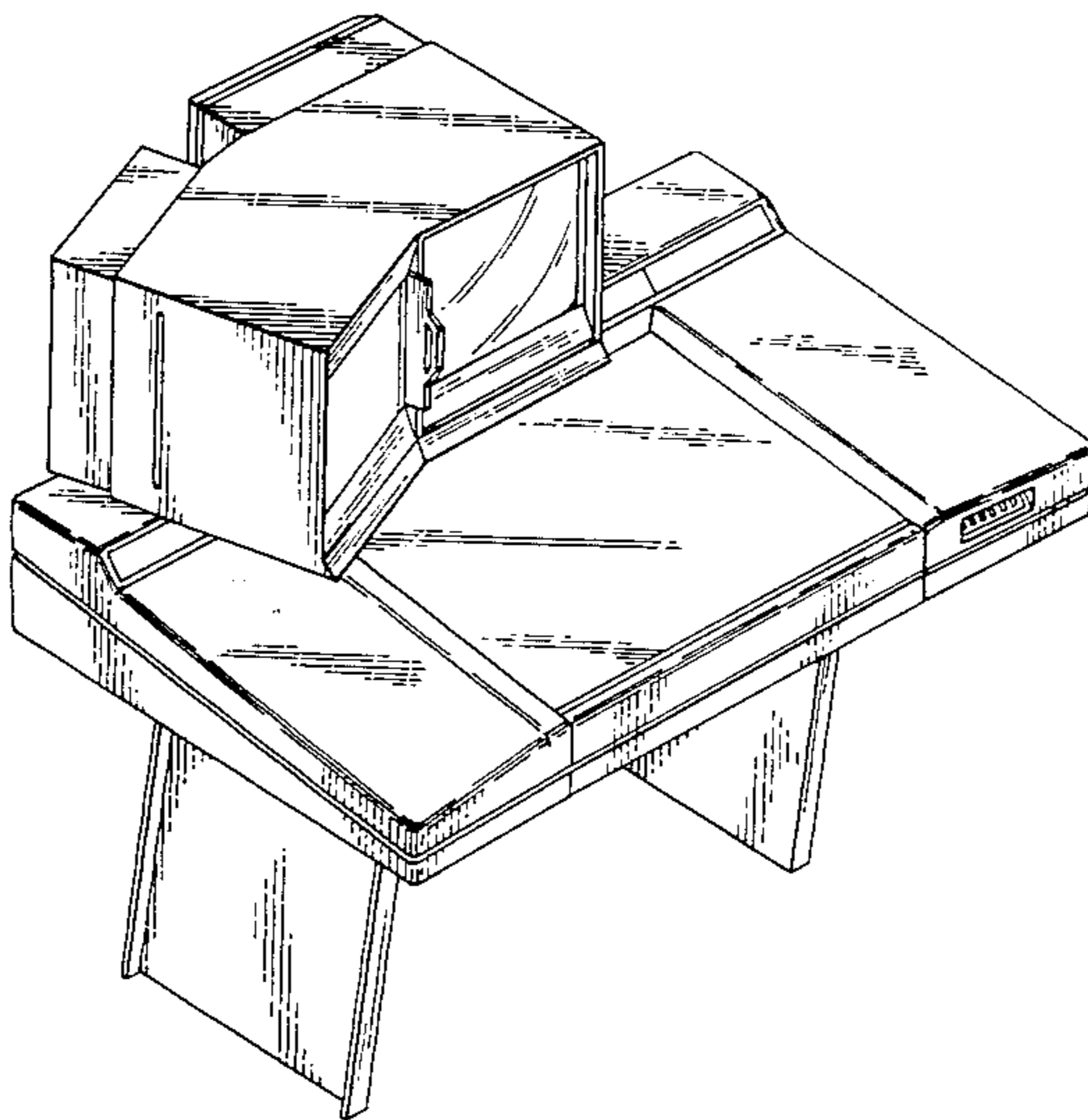
Primary Examiner—Susan J. Lucas
Attorney, Agent, or Firm—Kemon & Estabrook.

[57] **CLAIM**

The ornamental design for a page planning table with display monitor, as shown and described.

DESCRIPTION

FIG. 1 is a front perspective view from above and one side of a page planning table with display monitor embodying my new design;
FIG. 2 is an elevational view as seen from the opposite side thereof;
FIG. 3 is a front elevational view thereof;
FIG. 4 is a top plan view thereof.



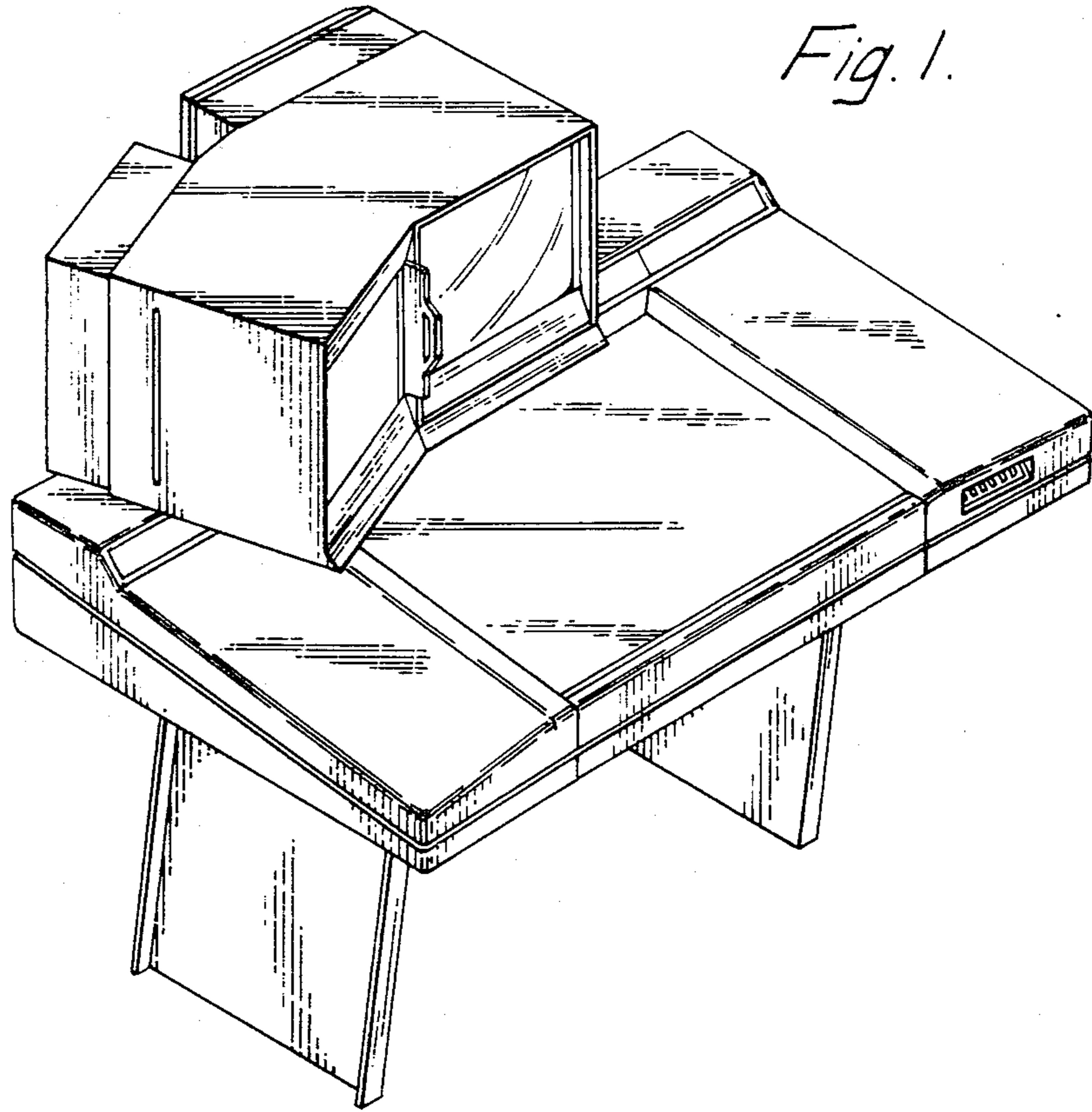


Fig. 2.

