

[54] COMBINATION TELEPHONE CLOCK AND RADIO SET

[75] Inventor: David Topp, Miami, Fla.

[73] Assignee: Multi-Tech Industries Corp., Miami, Fla.

[**] Term: 14 Years

[21] Appl. No.: 601,965

[22] Filed: Apr. 19, 1984

[52] U.S. Cl. D14/53; D14/59; D14/62; D14/71; D14/73; D14/101; 179/100 D; 179/179

[58] Field of Search D14/52-57, D14/58-65, 106, 107, 113, 115, 104, 100, 114, 71, 72, 73, 75; D10/2, 15, 4, 106; 179/100 R, 100 L, 90 K, 179, 20 P, 90 FW, 178; D18/24, 26, 25, 7; D19/20, 25; 40/337, 339; 438/188, 191, 193, 195, 112, 227; 400/122, 87, 483; 273/DIG. 27; D6/184

[56] References Cited

U.S. PATENT DOCUMENTS

- D. 220,627 5/1971 Stoltz et al. D14/106
- D. 243,619 3/1977 Olsson D14/53
- D. 254,601 4/1980 Talesfore D10/15
- D. 258,889 4/1981 Hayashi D10/2
- D. 265,311 7/1982 Read et al. D14/60
- D. 266,928 11/1982 Wassenaar D10/15
- D. 272,422 1/1984 Swarztrauber et al. D10/106
- D. 274,247 6/1984 Genaro et al. D14/53
- 1,718,694 6/1929 Kurowski 434/113
- 3,759,030 9/1973 Wakabayashi D10/15
- 4,286,124 8/1981 Guttman 179/179

FOREIGN PATENT DOCUMENTS

- 2636849 2/1978 Fed. Rep. of Germany 179/100
- 2266241 10/1975 France 434/113

OTHER PUBLICATIONS

Western Electric Brochure, Showing AT&T "Design Line" Big Button Set.
 Webcor Electronics Inc.'s Jumbo Button Phone, Model 767 Shown Telephony Magazine, p. 76.
 Siemens Corp. Ad "The Easy EPABX", in *Telephony*, pp. 112, 113; Jan. 14, 1980.
 COBRA Cordless Telephone-Clock Radio, Model RP-7405; in *Fordham Magazine* ©1983, p. 5.
 American Foundation For The Blind; "Aids & Appliances" 18th Ed. 7-1972-6/1973; (a) Watches, pp. 31, 32; (b) Games, p. 9.
 "Lettered Dial" Article in *Bell Labs Record*, Jan. 1952, Showing Association Of Letters With Numbers.
 Figure-Phone, System 10 CPB of Phone Devices Corp; Chicago; Product Sheet.

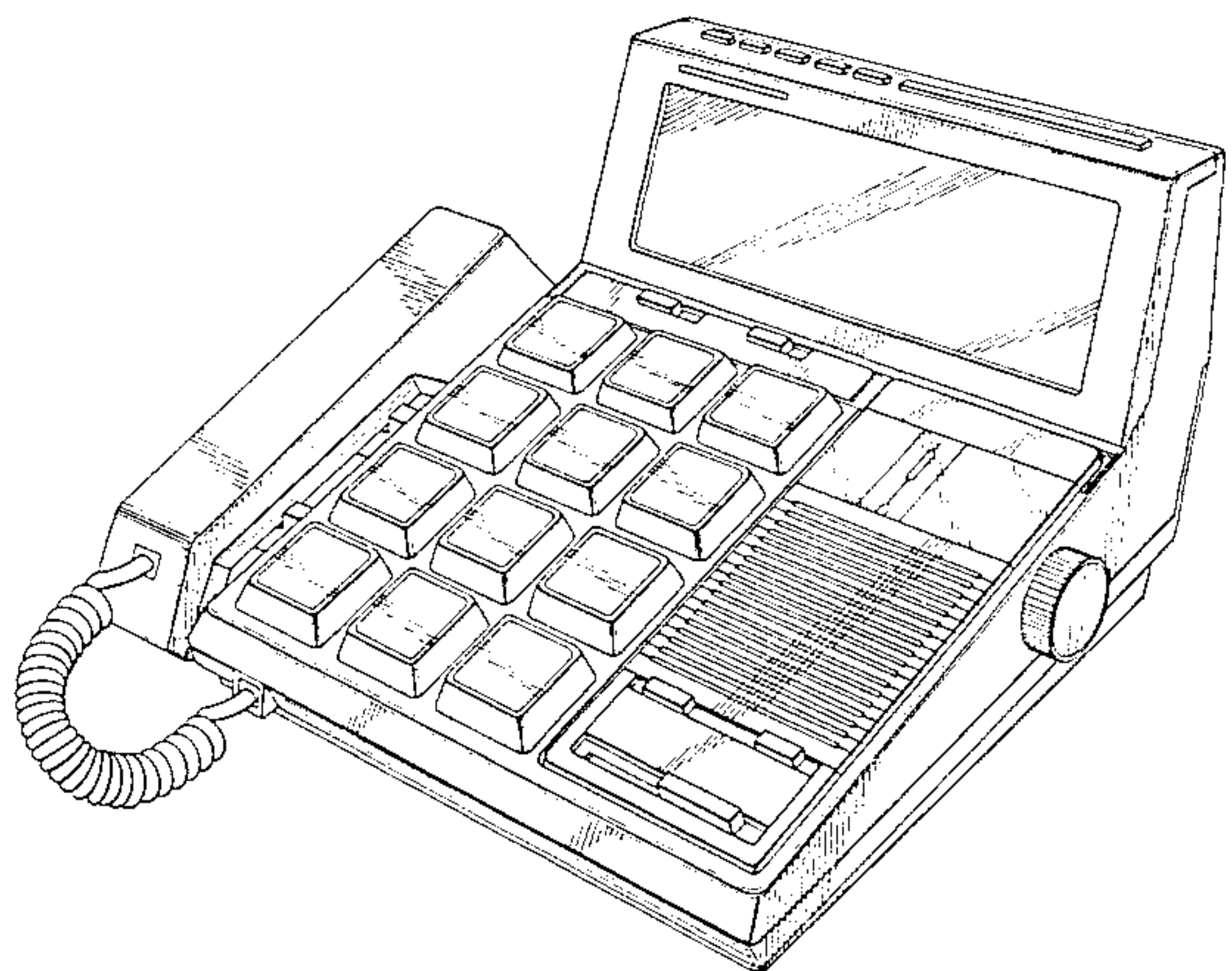
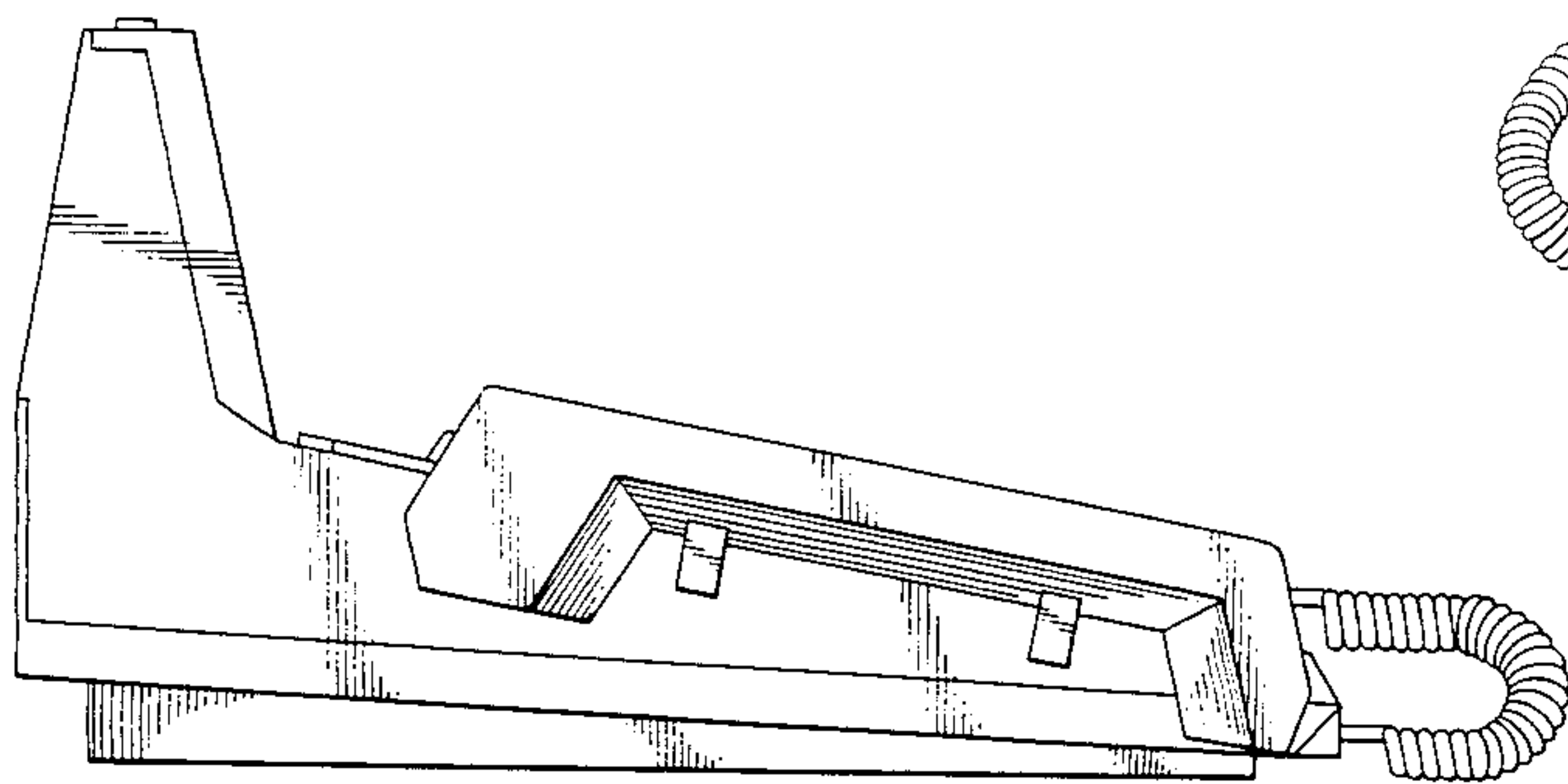
Primary Examiner—James M. Gandy
 Assistant Examiner—Horace B. Fay
 Attorney, Agent, or Firm—Staas & Halsey

[57] CLAIM

The ornamental design for a combination telephone, clock and radio set, as shown.

DESCRIPTION

FIG. 1 is a front and right side perspective view from above of a combination telephone, clock and radio set showing my new design;
 FIG. 2 is a right side elevational view thereof;
 FIG. 3 is a left side elevational view thereof;
 FIG. 4 is a rear elevational view thereof; and
 FIG. 5 is a top plan view thereof.



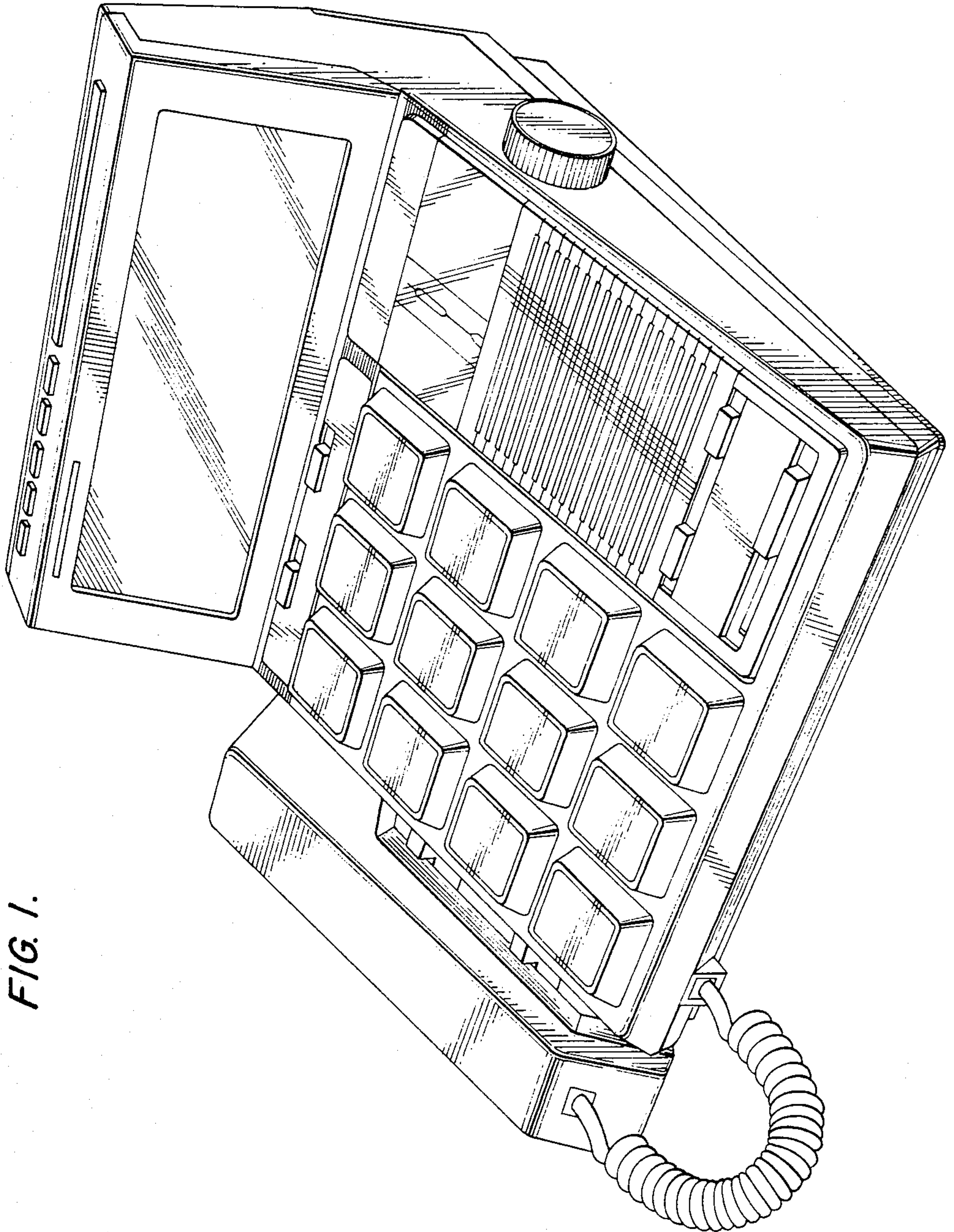


FIG. 1.

FIG. 2.

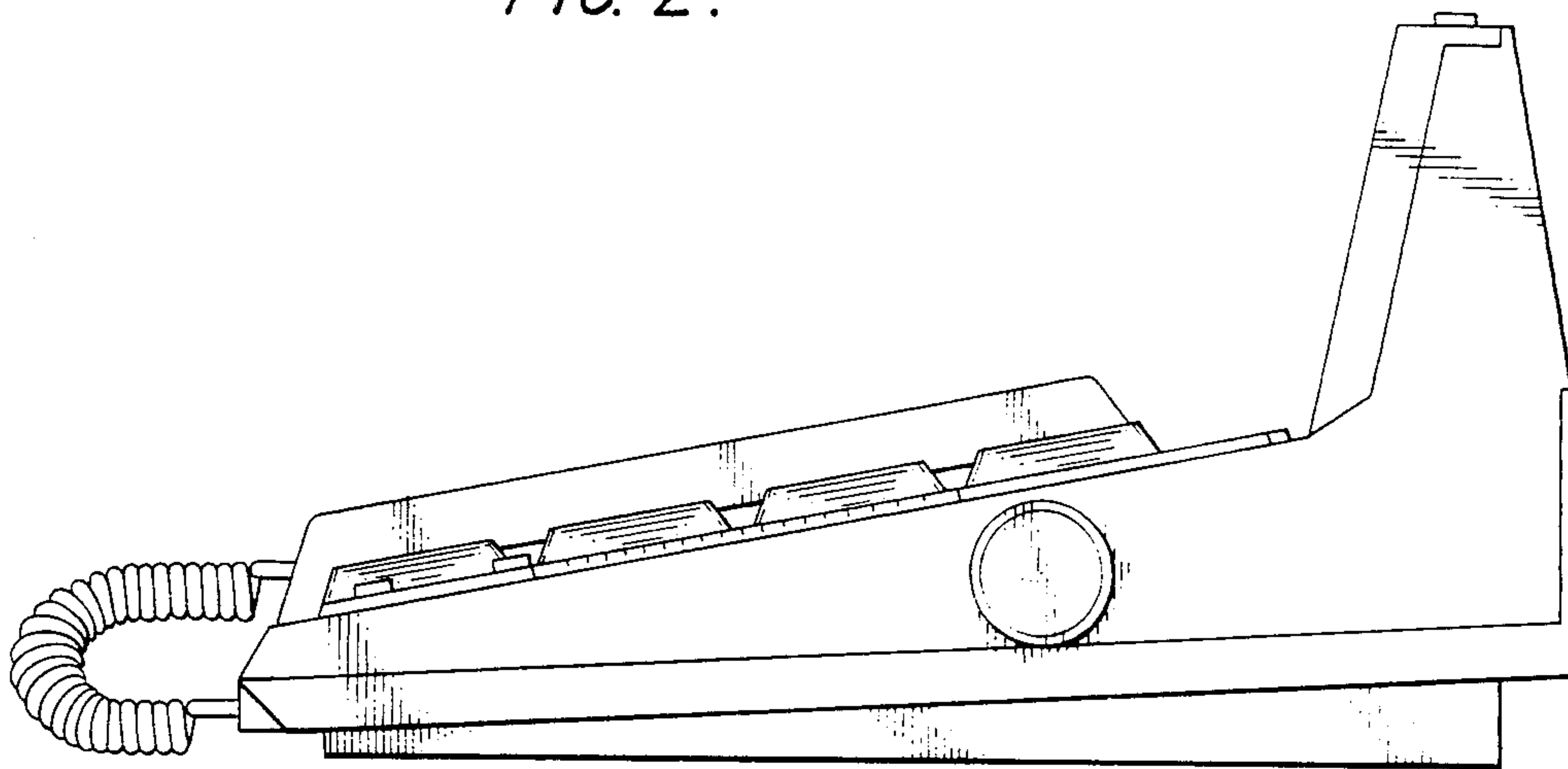


FIG. 3.

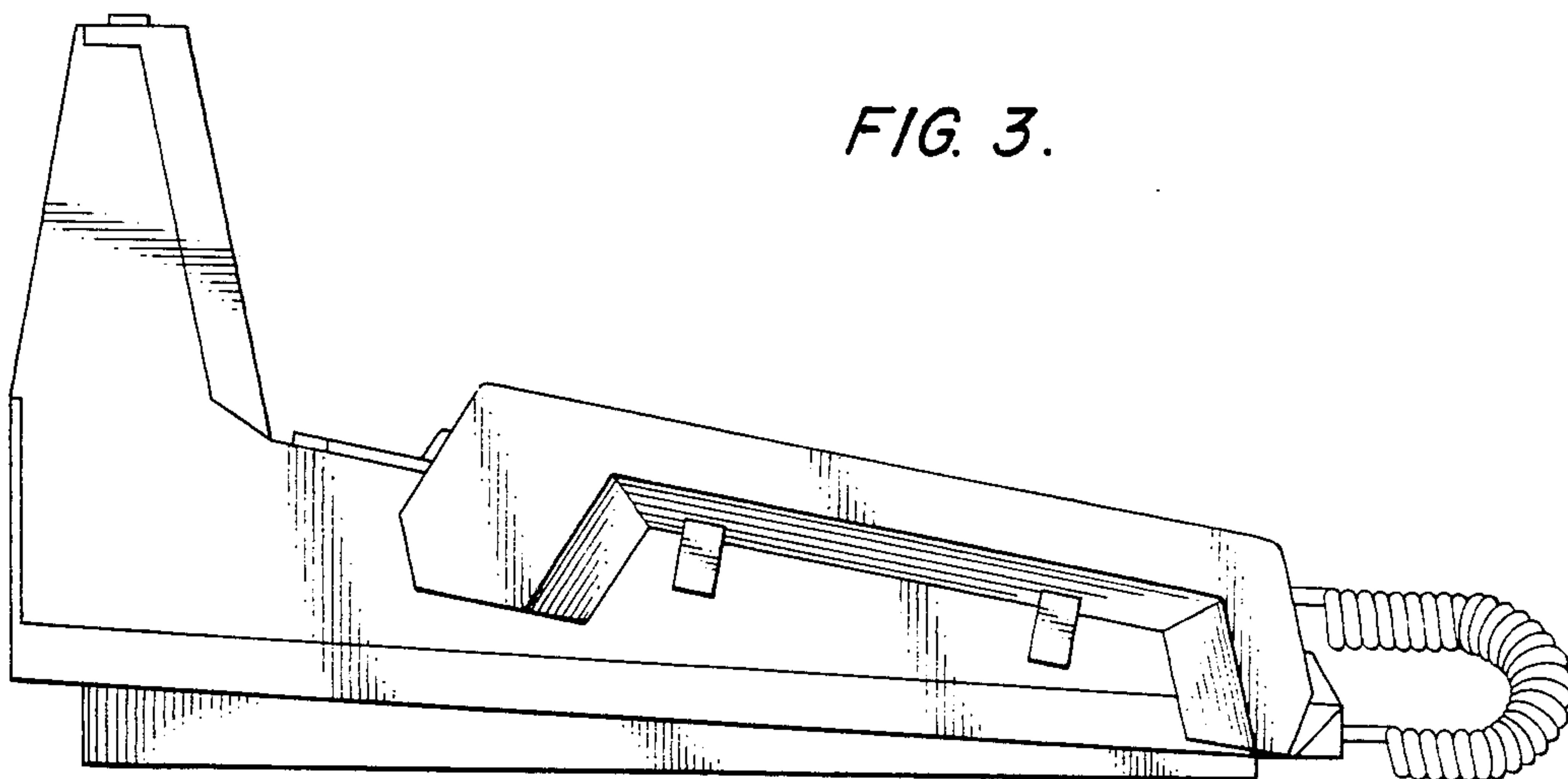


FIG. 4.

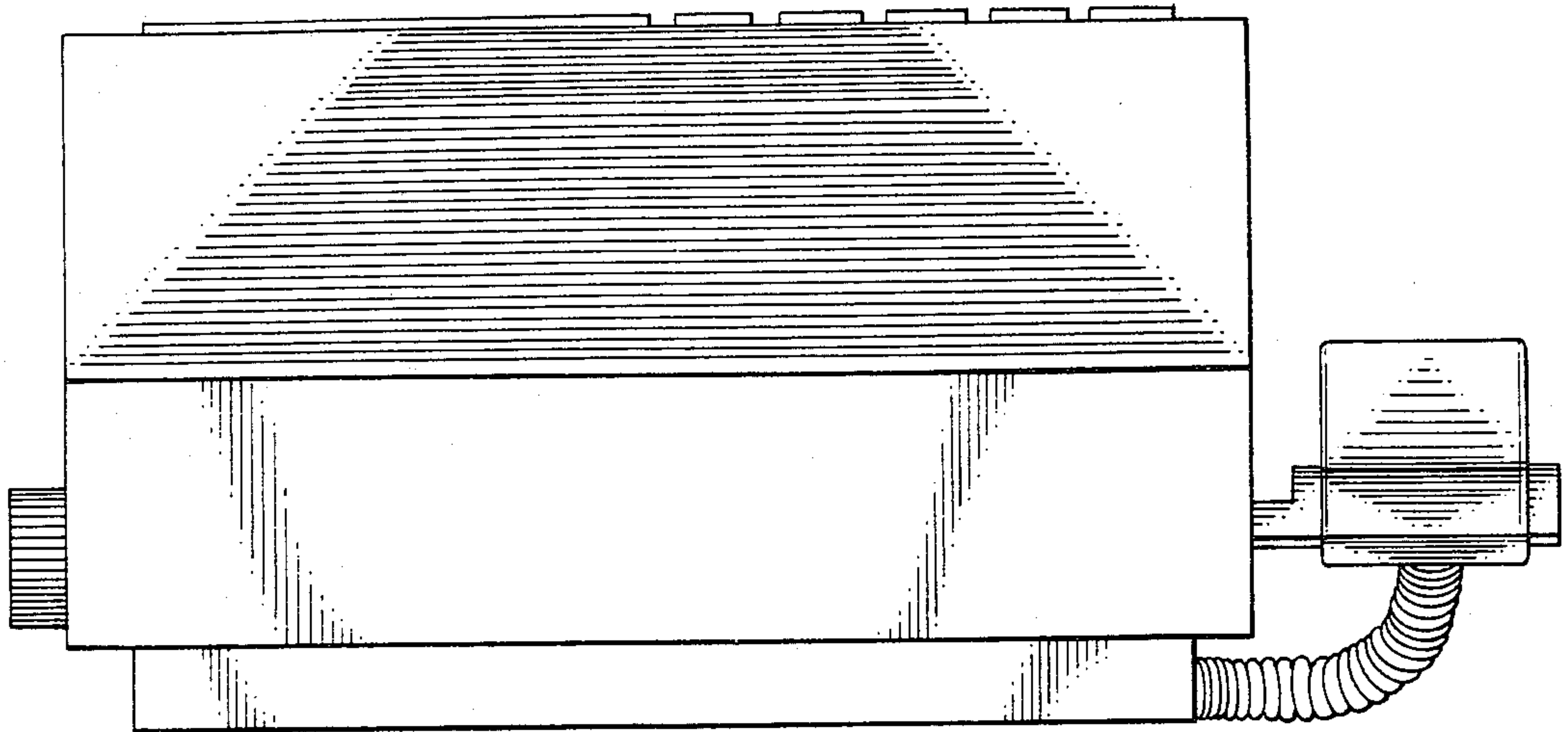


FIG. 5.

