

United States Patent [19]

Murphy

[11] Patent Number: **Des. 278,810**

[45] Date of Patent: **** May 14, 1985**

[54] **PHONOGRAPH**

[75] Inventor: **Patrick J. Murphy**, East Aurora, N.Y.

[73] Assignee: **The Quaker Oats Company**, Chicago, Ill.

[**] Term: **14 Years**

[21] Appl. No.: **461,609**

[22] Filed: **Jan. 27, 1983**

[52] U.S. Cl. **D14/17; D14/16**

[58] Field of Search **D14/14, 16, 17, 20, D14/25**

[56] **References Cited**

U.S. PATENT DOCUMENTS

D. 234,315 2/1975 Mansfield D14/17

D. 268,264 3/1983 Wilkes D14/17
3,170,029 2/1965 Stewart D14/25

OTHER PUBLICATIONS

Sears "1981 Wish Book", pp. 448 and 449, Phonographs.

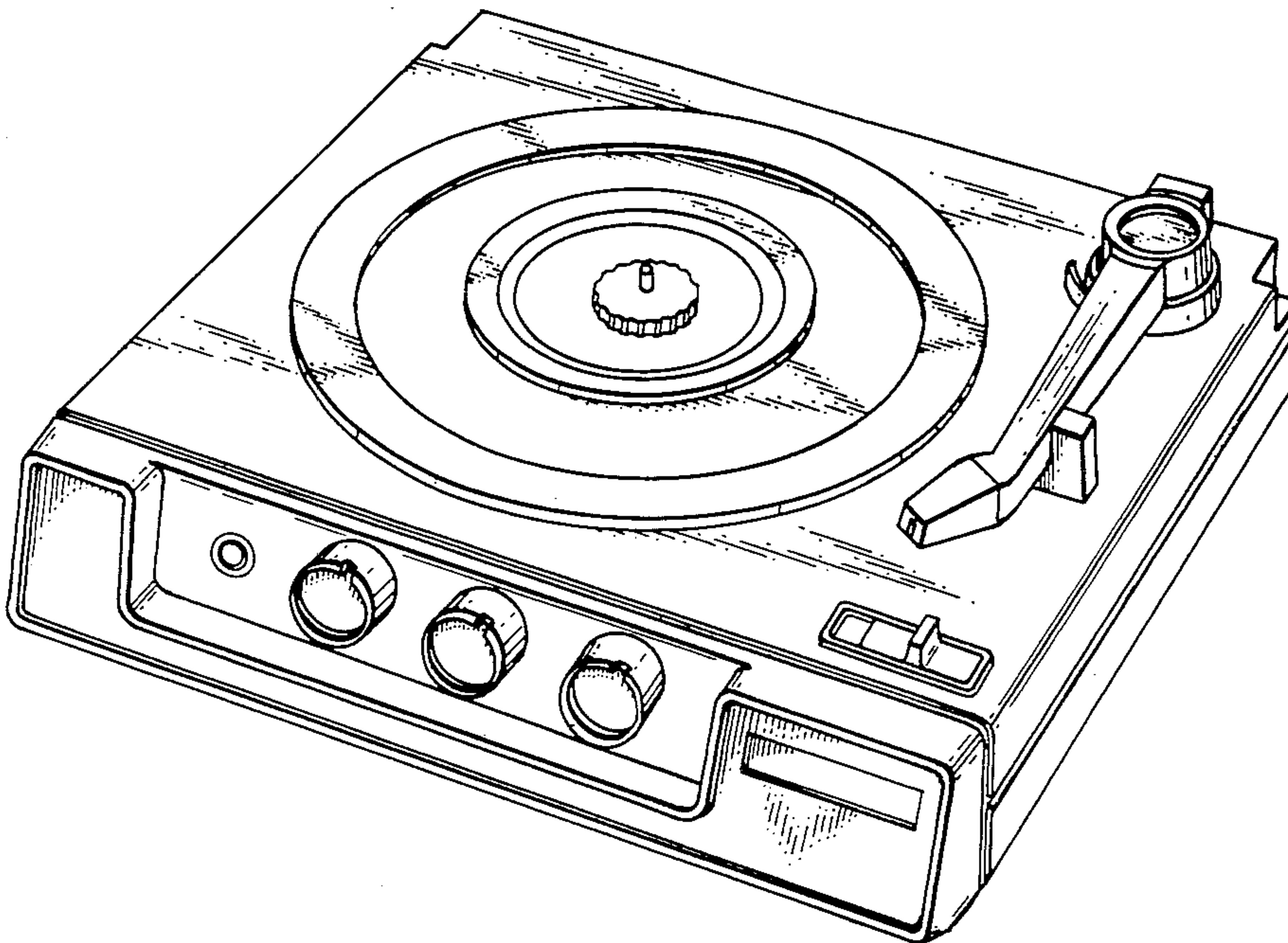
Primary Examiner—Jane E. Corrigan
Attorney, Agent, or Firm—Cumpston & Shaw

[57] CLAIM

The ornamental design for a phonograph, substantially as shown and described.

DESCRIPTION

FIG. 1 is a front, top and right side perspective view of a phonograph showing my new design; FIG. 2 is a left side elevational view; FIG. 3 is a rear elevational view thereof; and FIG. 4 is a bottom plan view thereof.



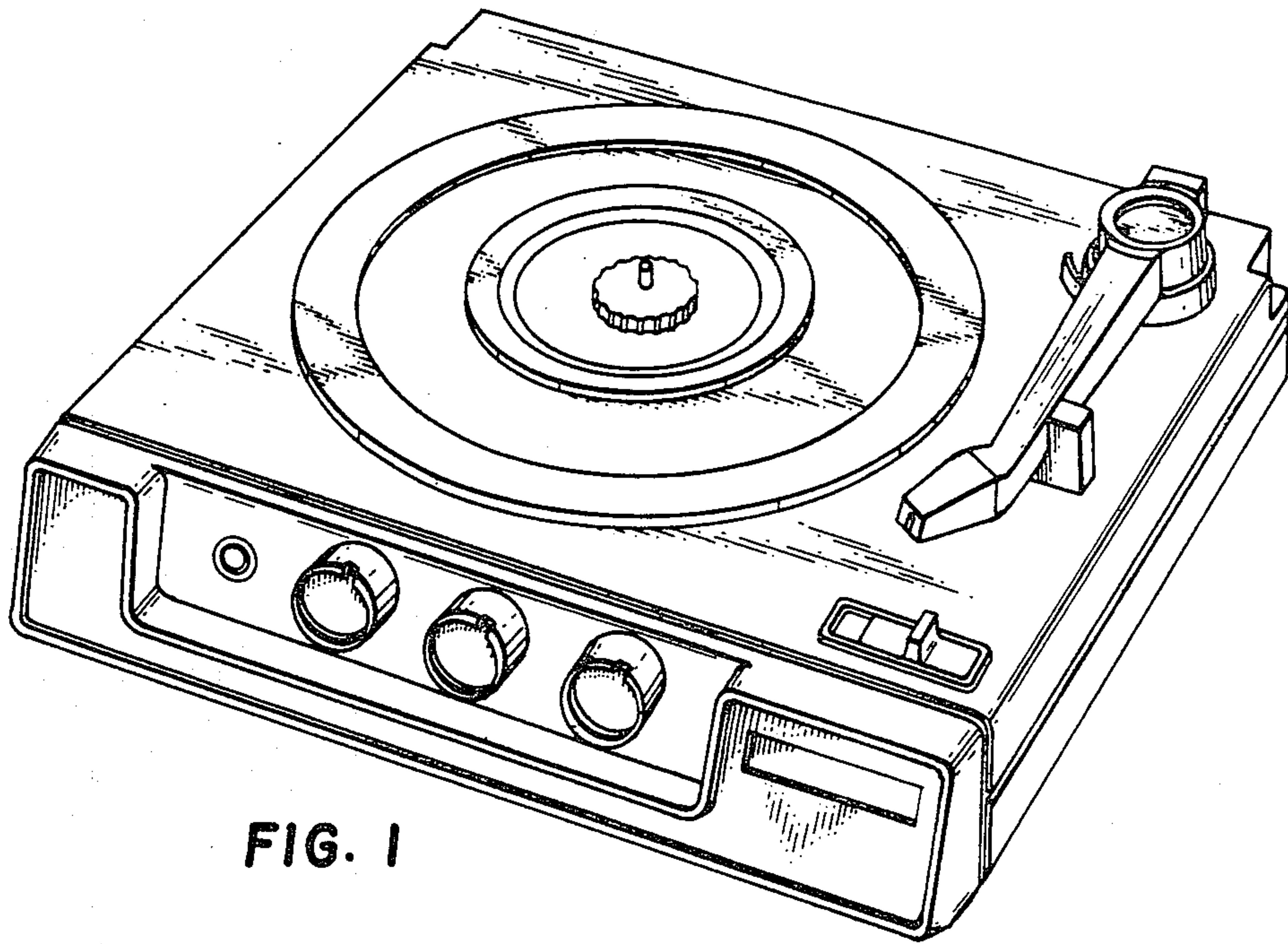


FIG. 1

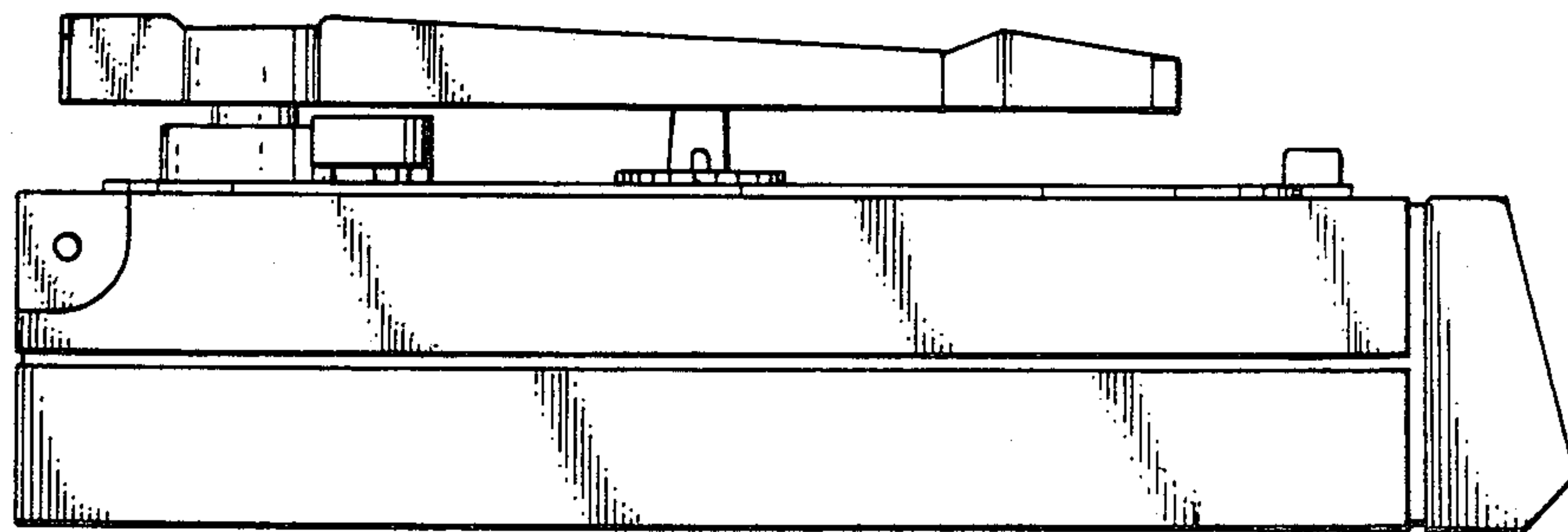


FIG. 2

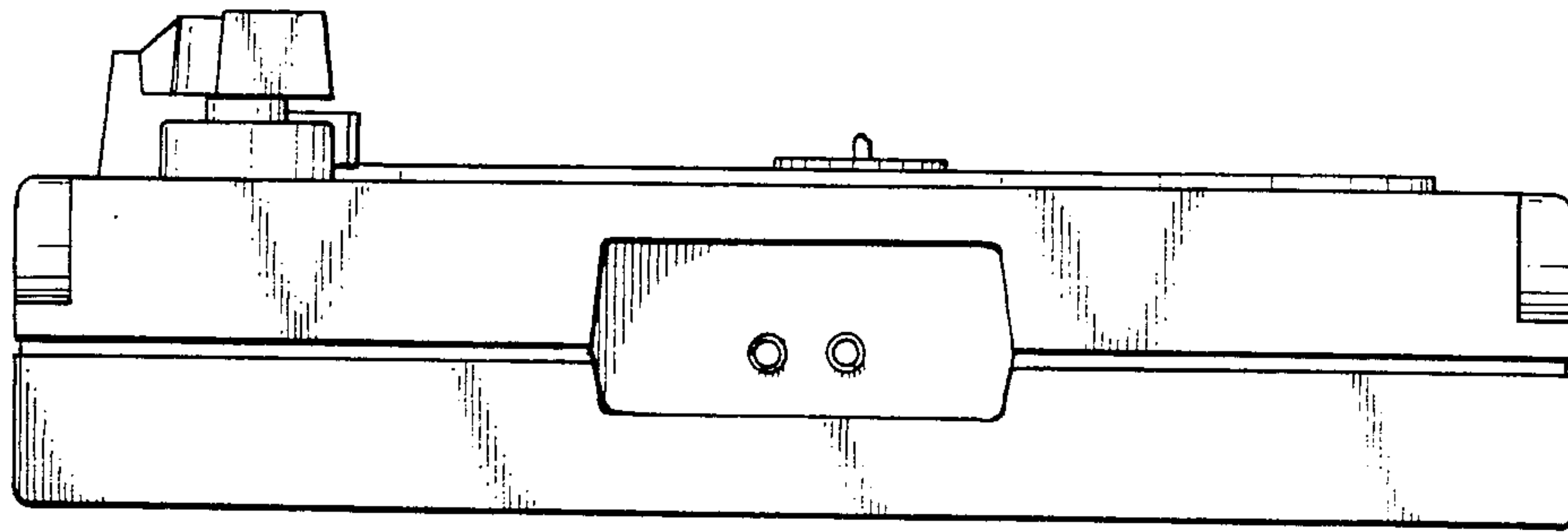


FIG. 3

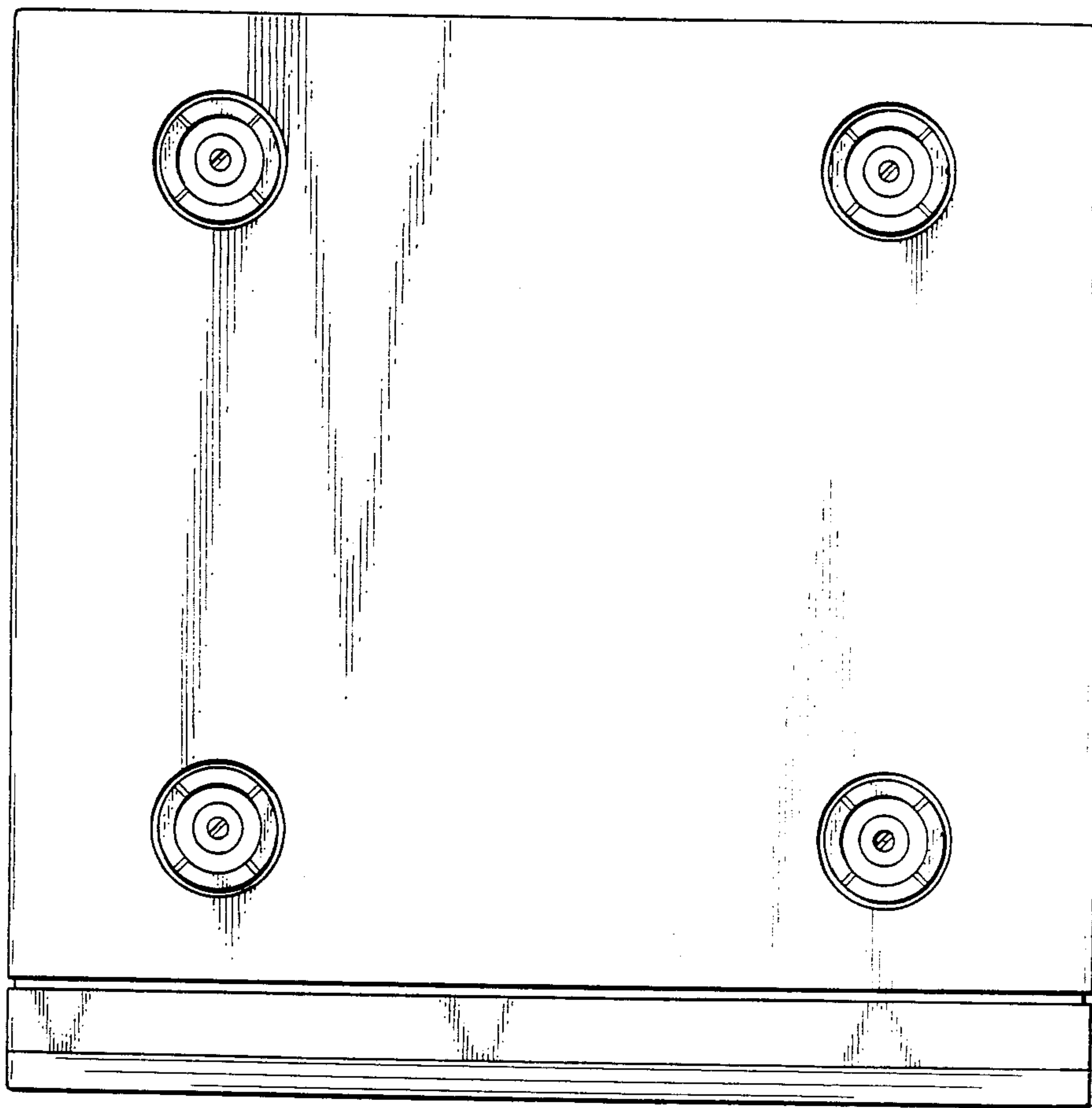


FIG. 4