

- [54] **COMPUTER VIDEO DISPLAY MONITOR OR THE LIKE**
- [75] Inventor: **William J. McLaughlin**, Grass Valley, Calif.
- [73] Assignee: **RGB Display Corporation**, Grass Valley, Calif.
- [\*\*] Term: **14 Years**
- [21] Appl. No.: **472,806**
- [22] Filed: **Mar. 7, 1983**
- [52] U.S. Cl. .... **D14/113; D14/80**
- [58] Field of Search ..... **D14/1, 77, 79, 80, 84, D14/113; 312/7.2**

- D. 235,655 7/1975 Clement et al. .... D14/77 X
- D. 274,188 6/1984 Carroll ..... D14/113

*Primary Examiner*—Jane E. Corrigan  
*Attorney, Agent, or Firm*—Lothrop & West

[57] **CLAIM**

The ornamental design for a computer video display monitor or the like, as shown and described.

**DESCRIPTION**

FIG. 1 is a front, top and right side perspective view of a computer video display monitor or the like showing my new design;

FIG. 2 is a front elevational view, thereof;

FIG. 3 is a right side elevational view, the left side being substantially a mirror image thereof and the environmental, broken horizontal reference plane line included only for illustrative purposes;

FIG. 4 is a rear elevational view, thereof;

FIG. 5 is a top plan view, thereof, and,

FIG. 6 is a bottom plan view.

[56] **References Cited**

**U.S. PATENT DOCUMENTS**

- D. 200,219 2/1965 Grunwald ..... D14/80
- D. 224,346 7/1972 Nakamura et al. .... D14/80
- D. 231,856 6/1974 Rozman ..... D14/80

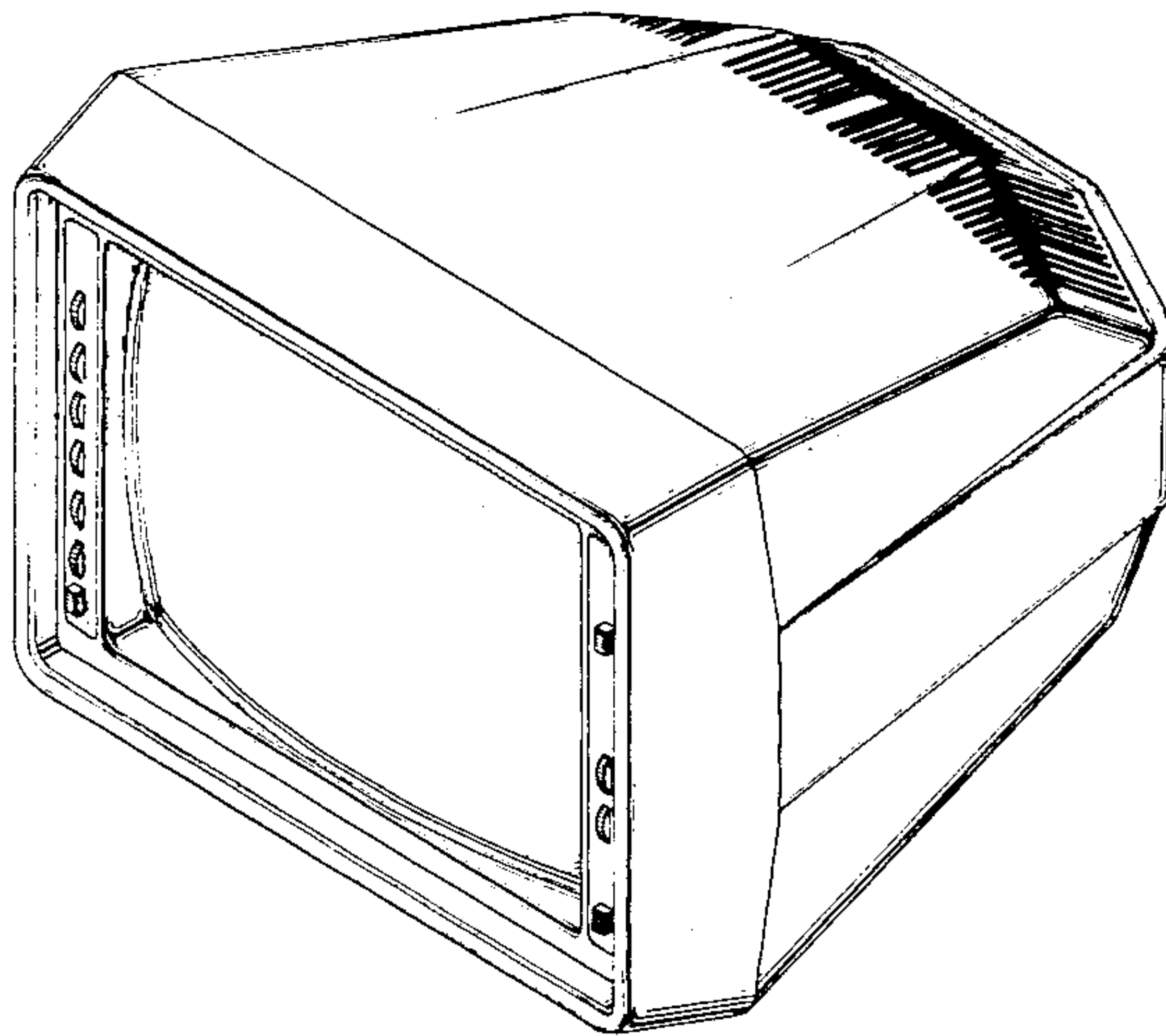


FIG-1

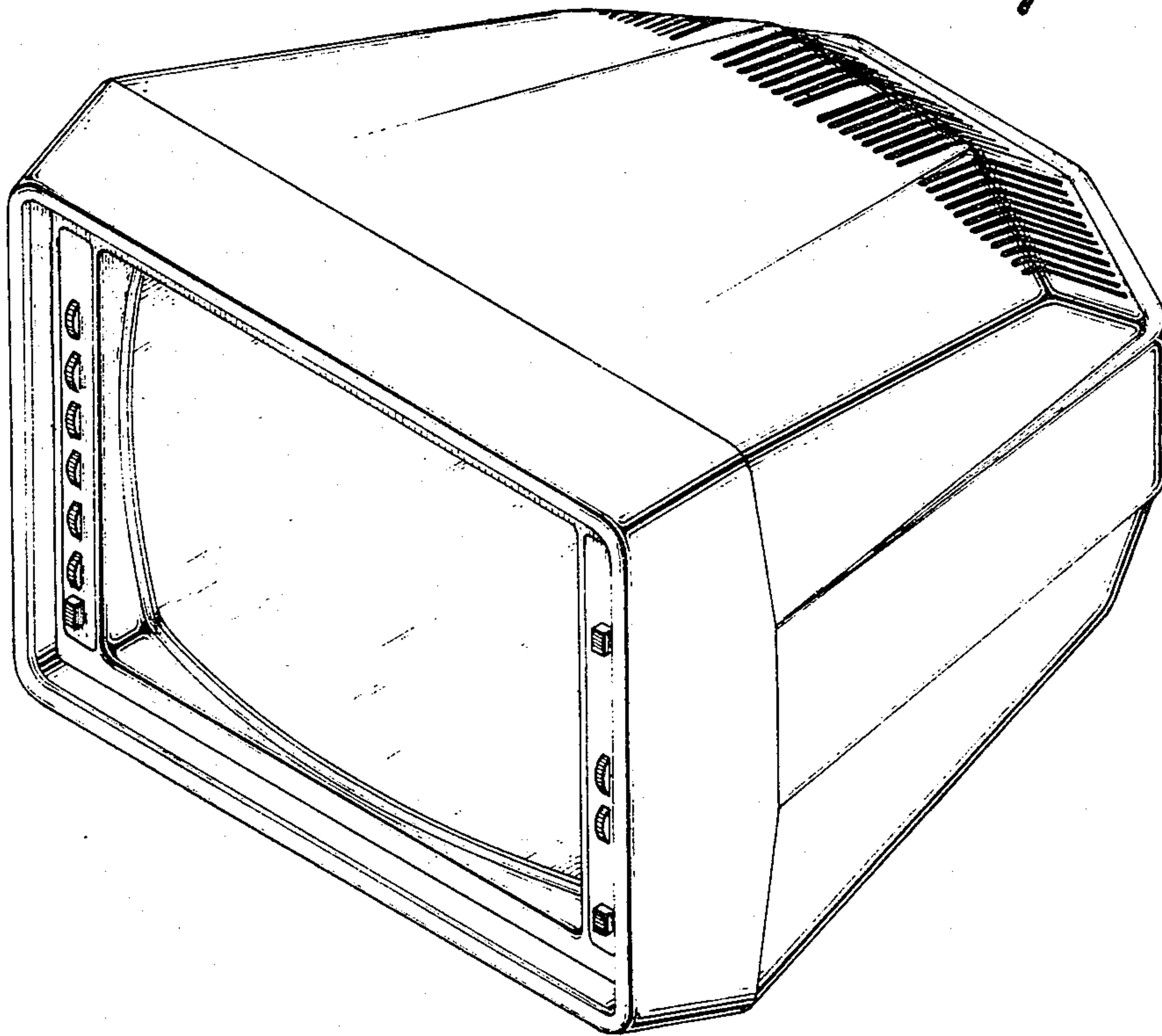


FIG-2

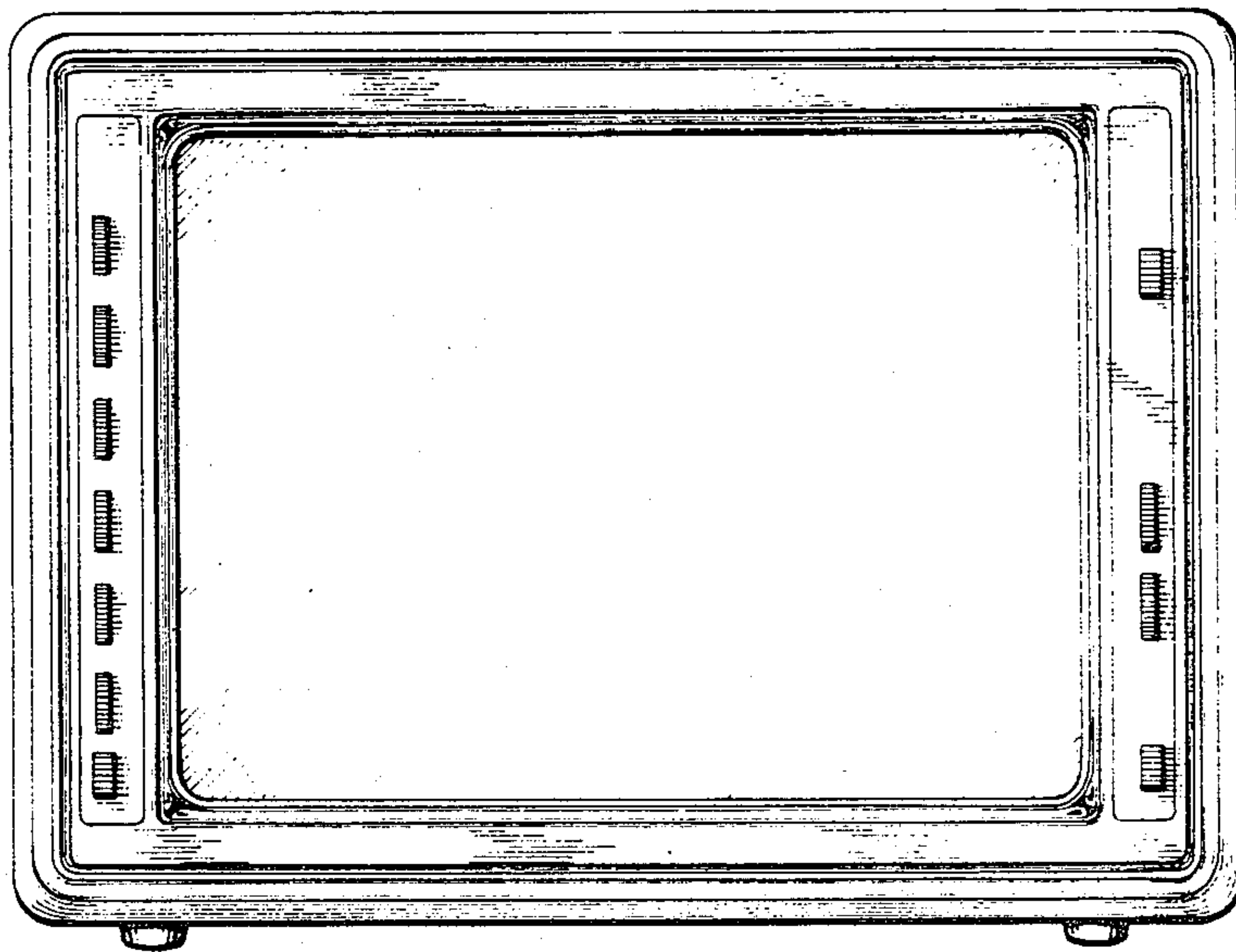


FIG-3

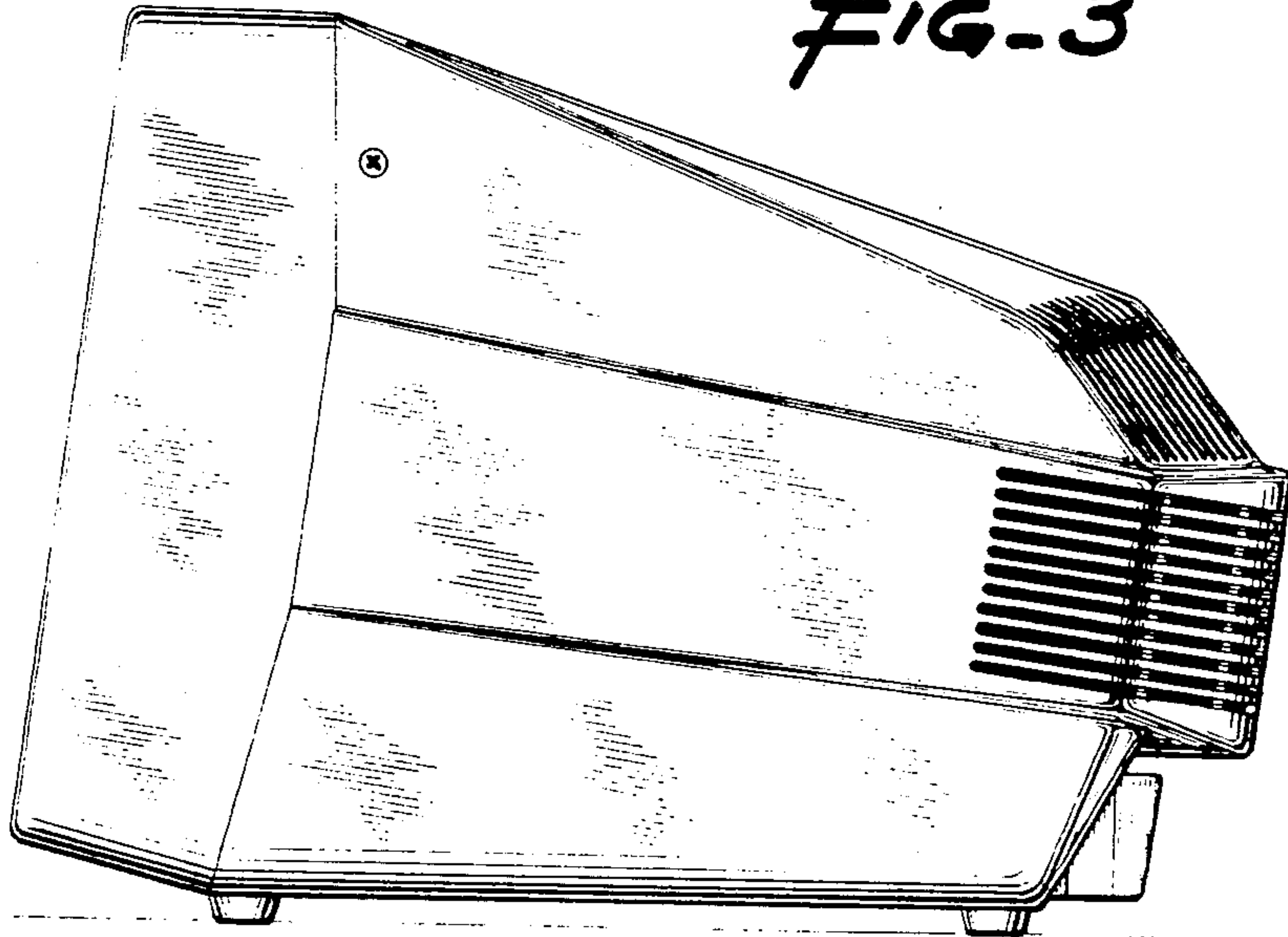


FIG-4

