

[54] PLASTIC PAINT CONTAINER

4,225,045 9/1980 Rayner et al. .... 220/91

[75] Inventors: Gary D. Bowen, Glens Falls; James L. Bowen, Fort Ann, both of N.Y.

Primary Examiner—George P. Word  
Attorney, Agent, or Firm—Stevens, Davis, Miller & Mosher

[73] Assignee: Genpak Corporation, N.Y.

[57] CLAIM

[\*\*] Term: 14 Years

The ornamental design for a plastic paint container, as shown and described.

[21] Appl. No.: 360,855

DESCRIPTION

[22] Filed: Mar. 22, 1982

[52] U.S. Cl. .... D9/379; D9/352

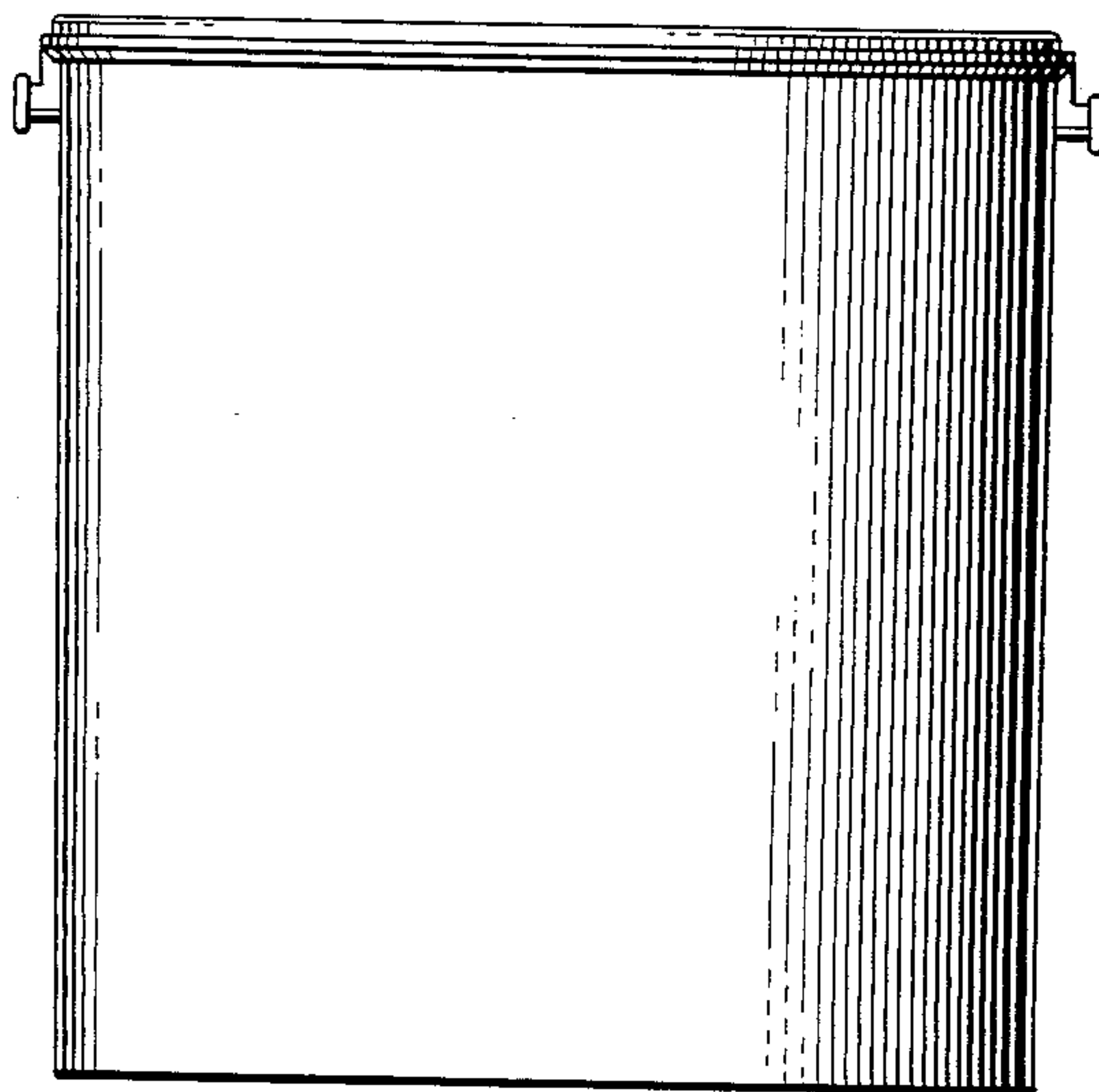
[58] Field of Search ..... D9/352, 379, 390, 399, D9/428; 220/91, 90; D32/53, 54

FIG. 1 is a side elevational view of a plastic paint container showing our new design with the lid removed; FIG. 2 is an elevational view of the right side of FIG. 1, the left side being identical thereto; FIG. 3 is a top plan view of the plastic paint container with the lid attached; FIG. 4 is a bottom plan view thereof; and FIG. 5 is a top plan view with the lid removed; FIG. 6 is an enlarged scale fragmentary cross-sectional view taken along line 6—6 of FIG. 3.

[56] References Cited

U.S. PATENT DOCUMENTS

- D. 219,265 11/1970 Churan ..... D9/379
- D. 220,973 6/1971 Yates ..... D32/53
- D. 222,981 2/1972 Yates ..... D32/53



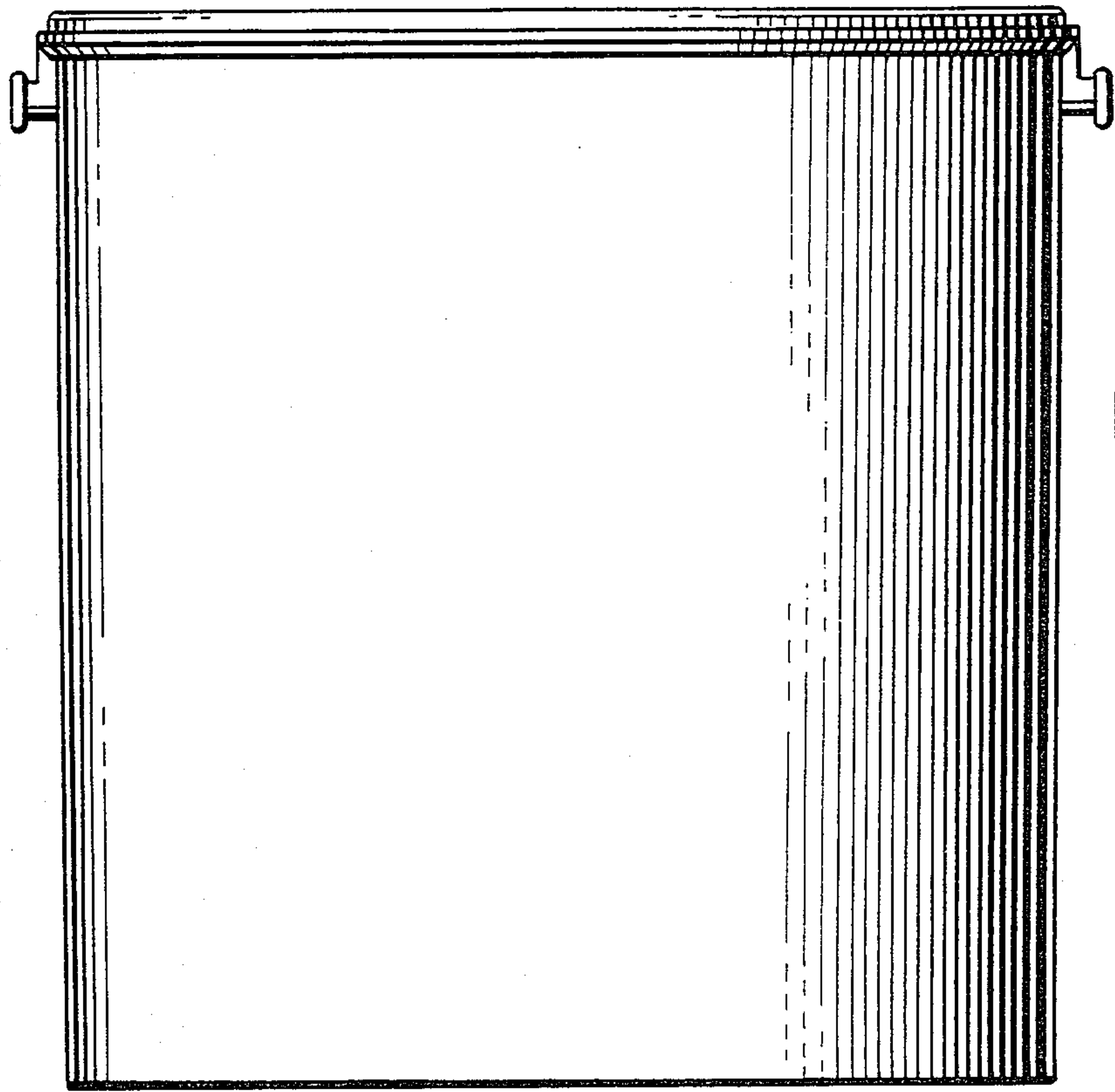


FIG. 1

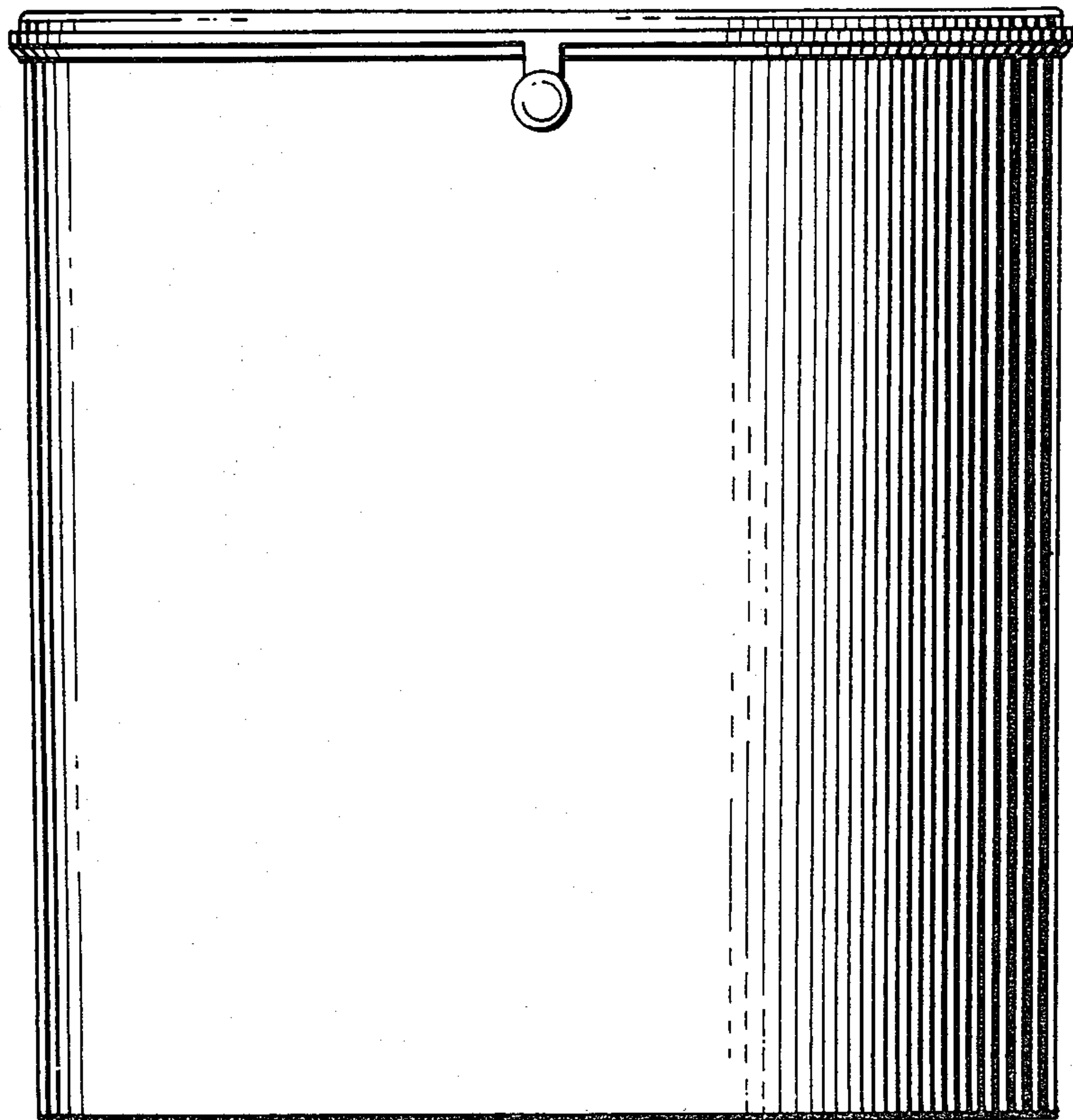


FIG. 2

FIG. 3

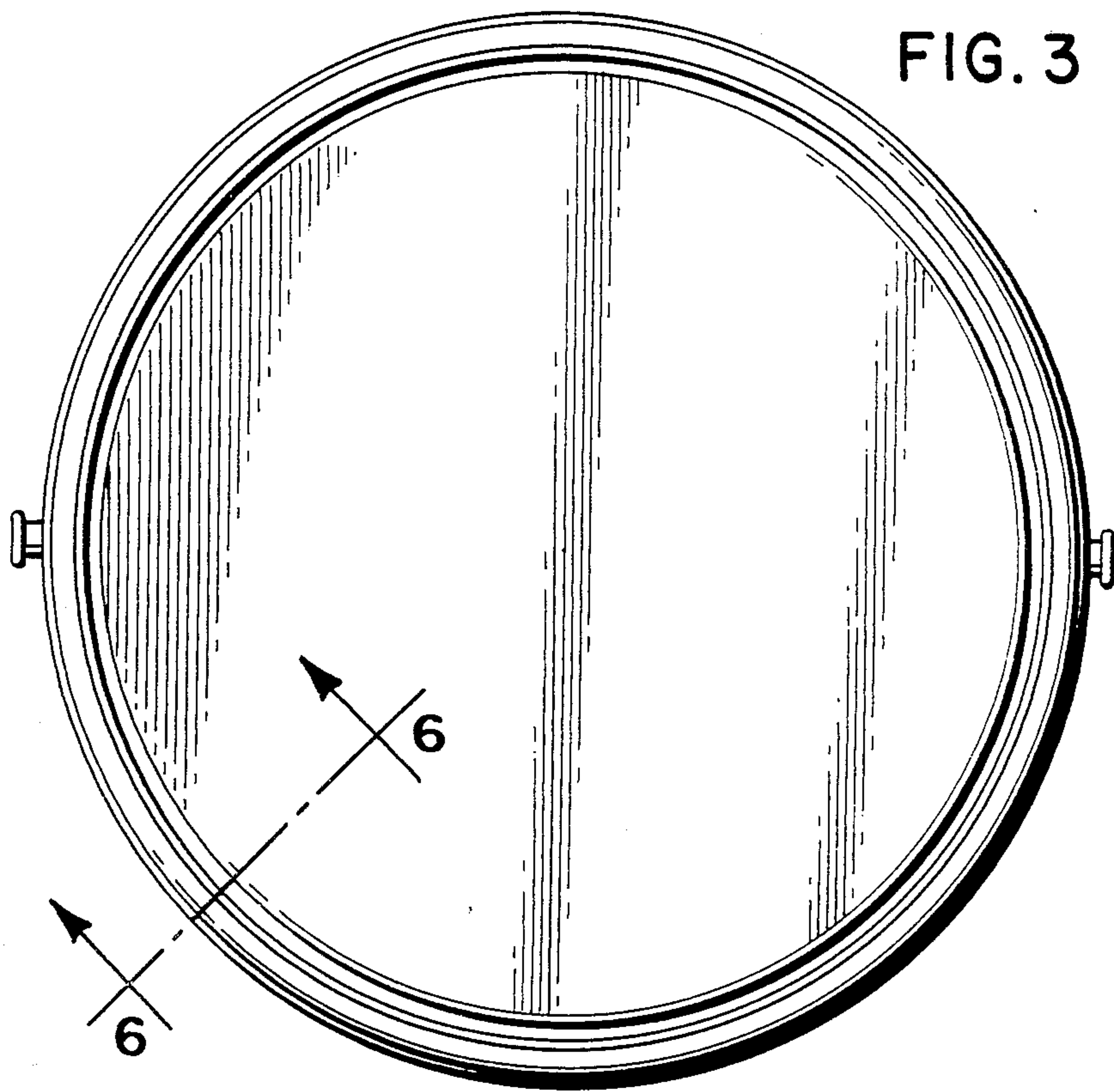
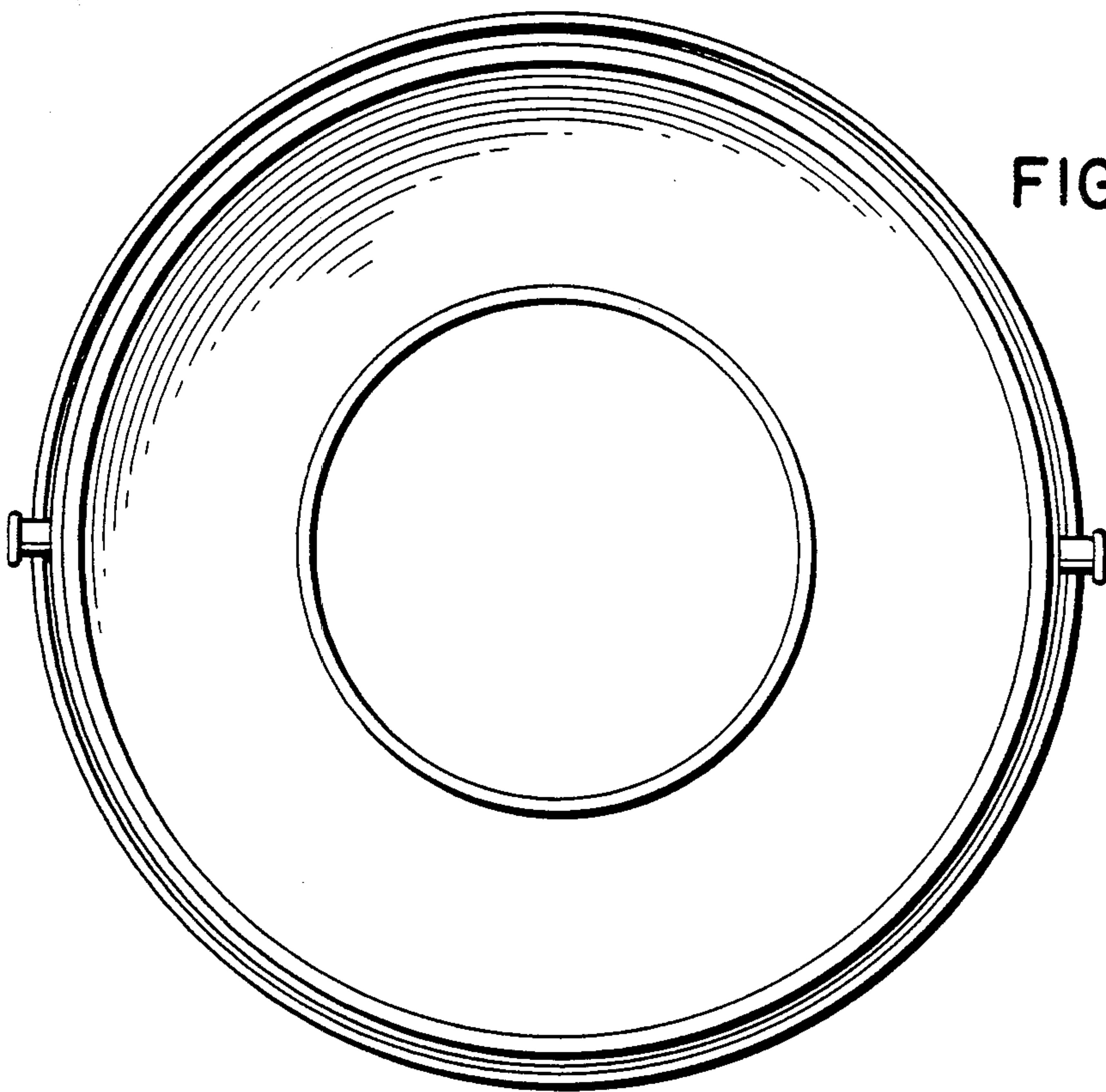


FIG. 4



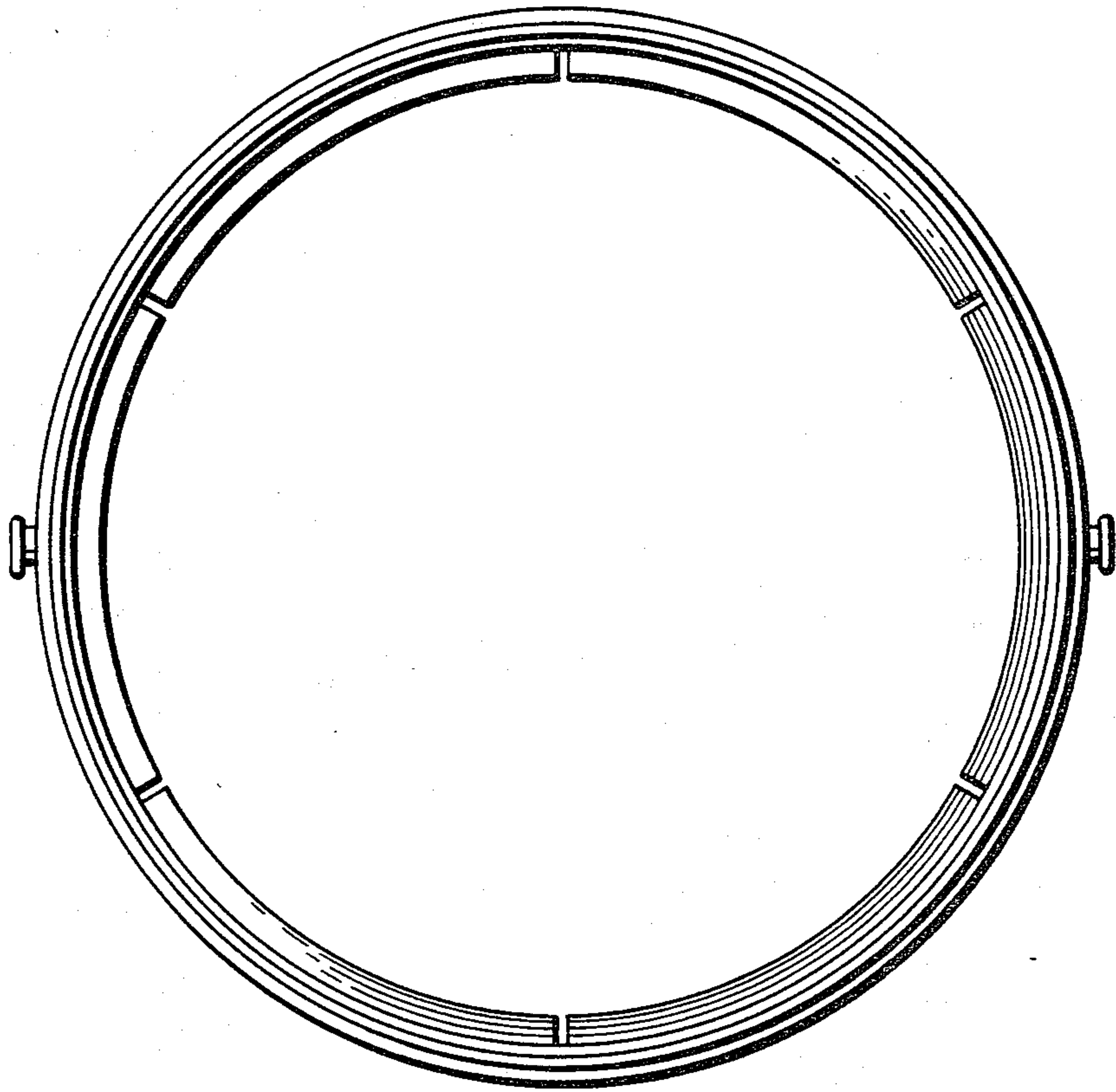


FIG. 5



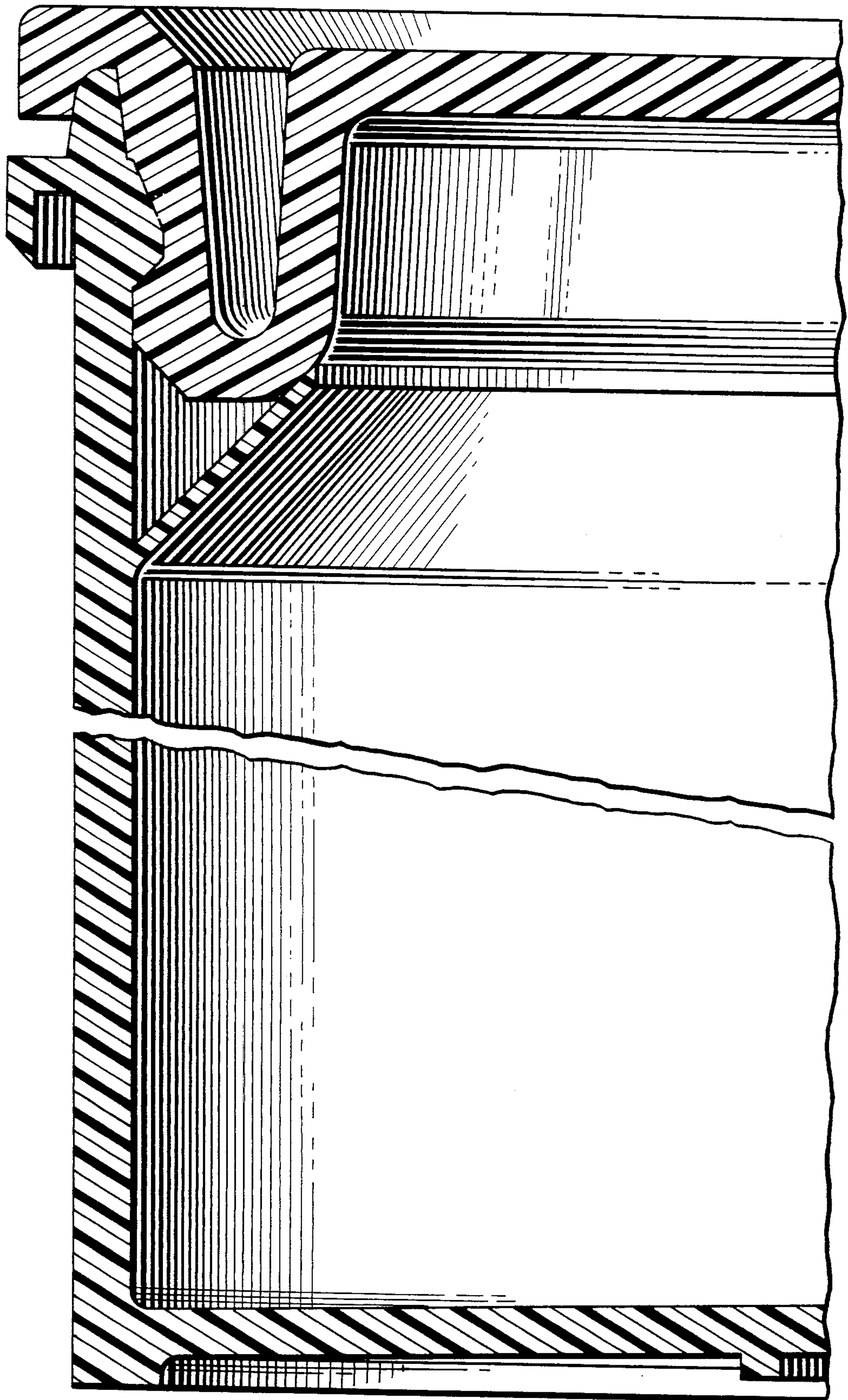


FIG. 6