

[54] IGNITION WIRE SEPARATOR FOR ENGINES

[75] Inventors: Richard J. Smith, Middleburg Heights; Lawrence S. Kuczynski, Cleveland; Michael D. Stasko, Parma, all of Ohio

[73] Assignee: Mr. Gasket Company, Cleveland, Ohio

[**] Term: 14 Years

[21] Appl. No.: 423,036

[22] Filed: Sep. 24, 1982

[52] U.S. Cl. D8/357; D15/5

[58] Field of Search D8/357; D13/15; D15/5; 174/72 A; 200/19 DC; 123/146.5 A

[56] References Cited

U.S. PATENT DOCUMENTS

D. 51,183	8/1917	Mason	D13/15
D. 51,442	10/1917	Mason	D13/15
2,174,081	9/1939	Webster	123/146.5 A
2,439,559	4/1948	Buffington	174/72 A
3,001,035	9/1961	Batts	200/19 DC

3,197,580	7/1965	Zezulka	200/19 DC
3,769,701	11/1973	Kloth	174/72 A
3,861,068	1/1975	Zygmunt	174/112
4,020,812	5/1977	Hayward	D15/5
4,302,638	11/1981	Fox et al.	200/19 DC

FOREIGN PATENT DOCUMENTS

953715	5/1949	France	200/19 DC
356068	9/1931	United Kingdom	200/19 DC

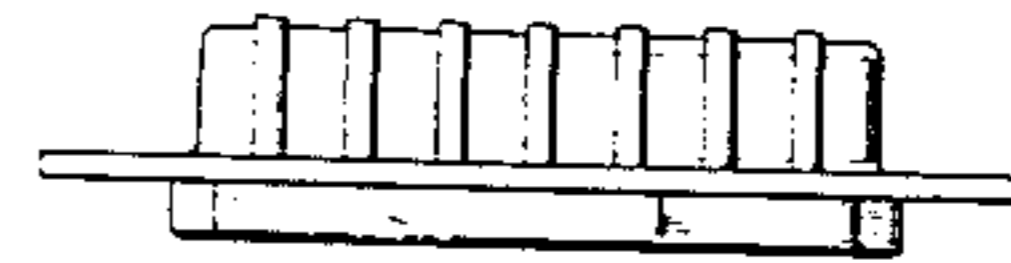
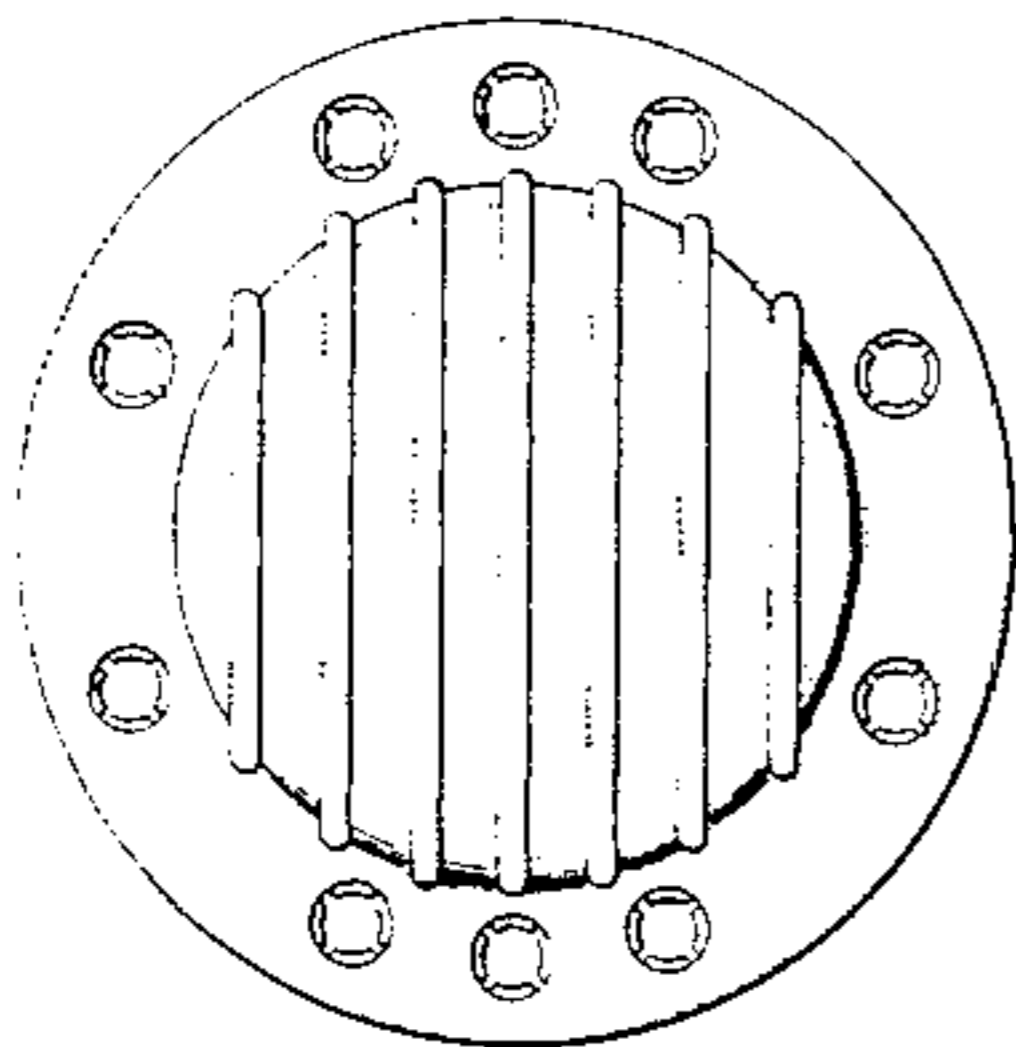
Primary Examiner—A. Hugo Word
Assistant Examiner—Horace B. Fay
Attorney, Agent, or Firm—Roylance, Abrams, Berdo & Goodman

[57] CLAIM

The ornamental design for an ignition wire separator for engines, as shown and described.

DESCRIPTION

FIG. 1 is a top plan view of an ignition wire separator for engines embodying the invention design;
FIG. 2 is a bottom plan view thereof;
FIG. 3 is a side elevational view thereof looking from the bottom of FIG. 1; and
FIG. 4 is a side elevational view thereof looking from the right side of FIG. 1.



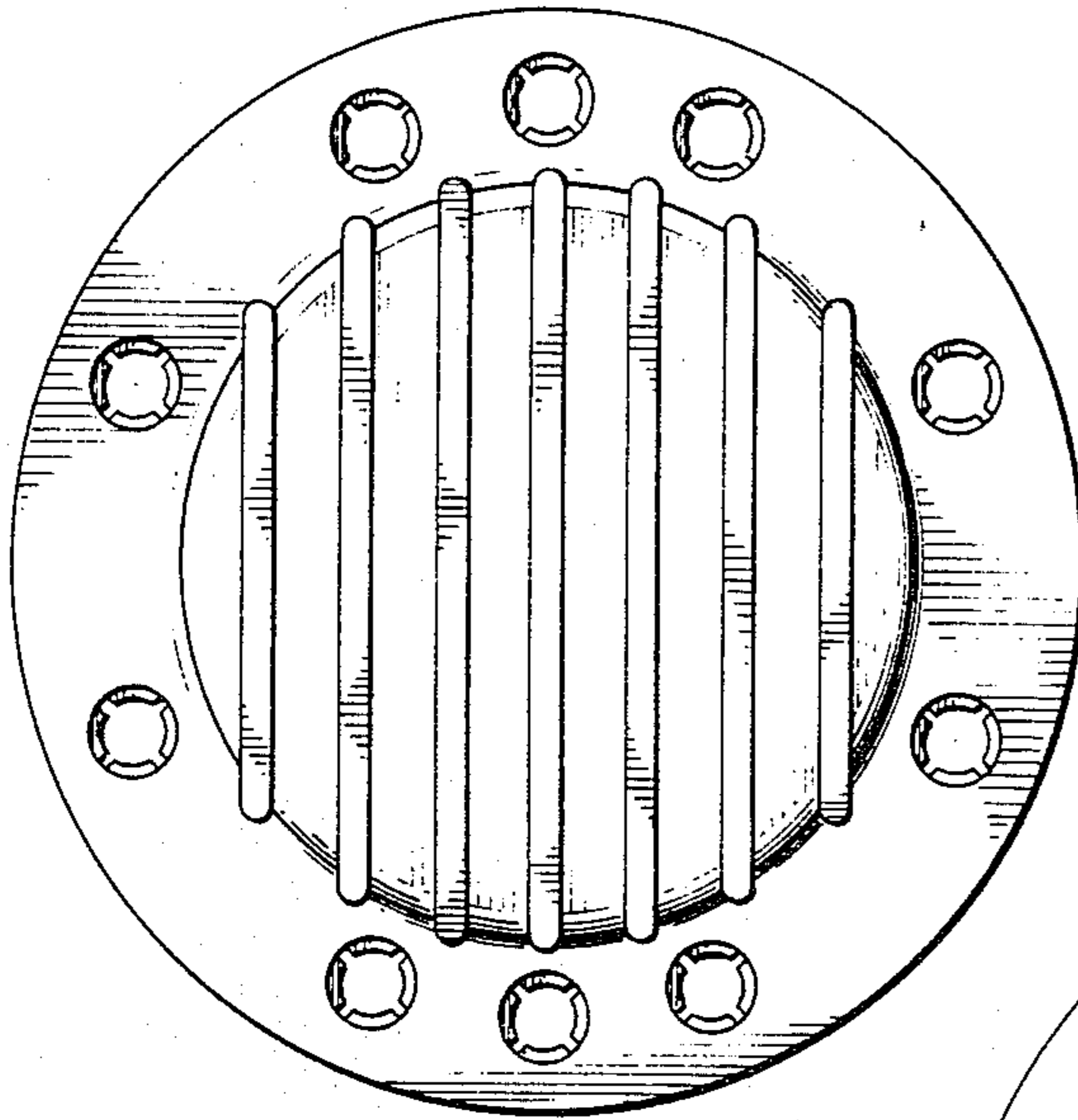


FIG 1

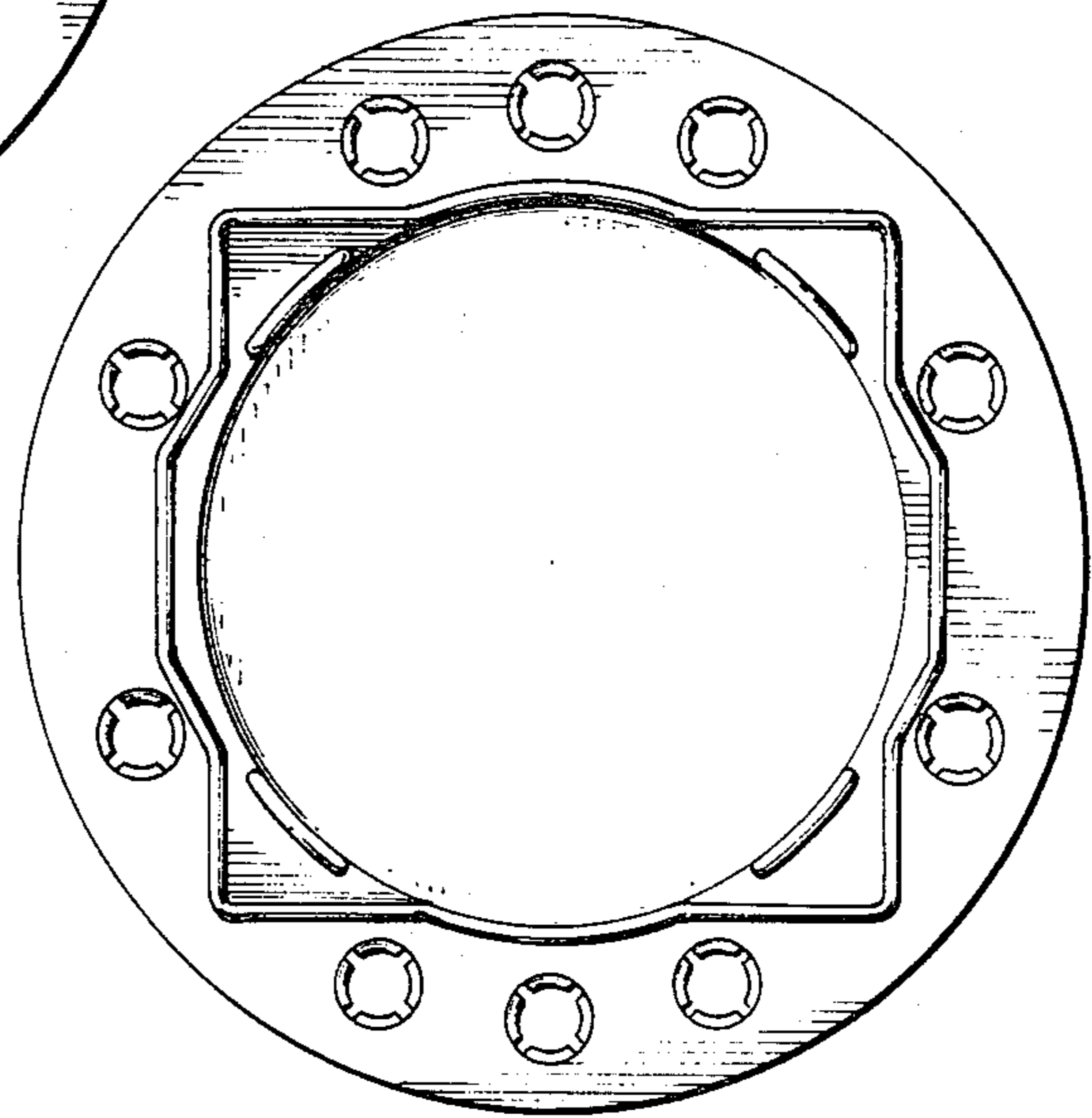


FIG 2

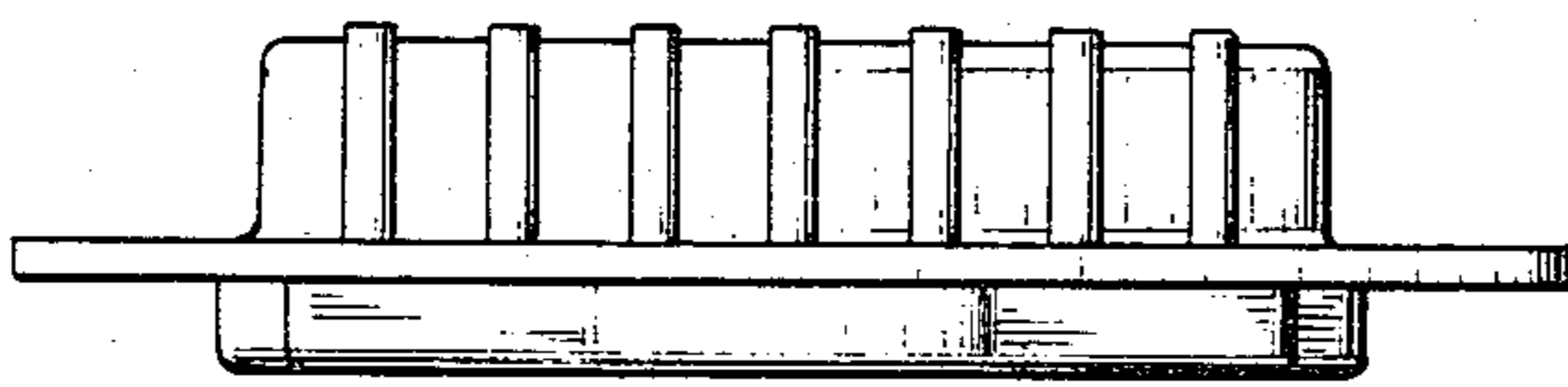


FIG 3

FIG 4

